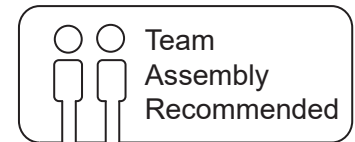
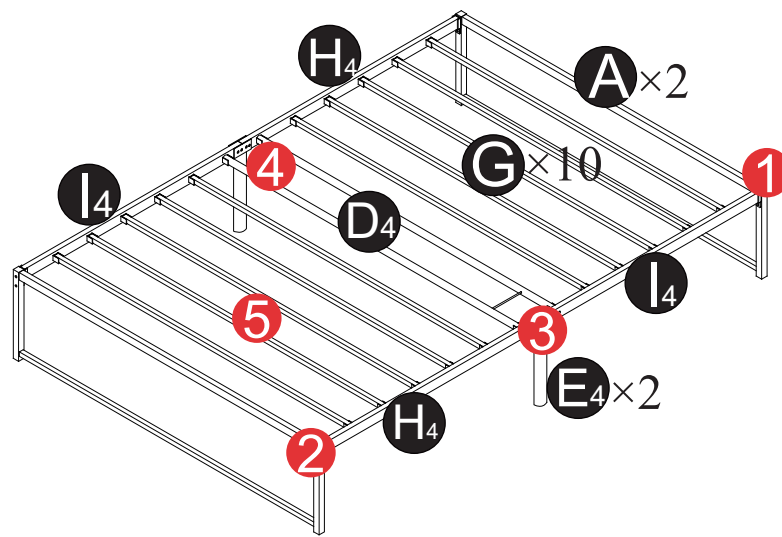
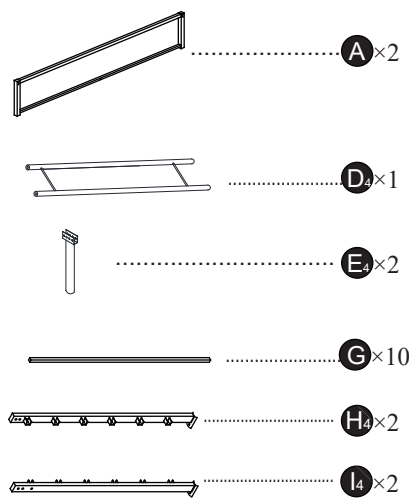


Bed Frame Installation Manual

#Number System
Easy assembly by following 1,2,3...



Componets

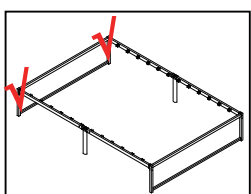
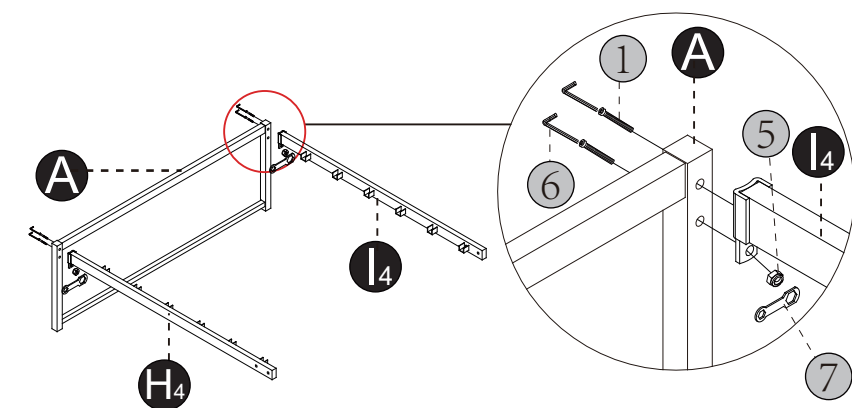


Screws & Tools

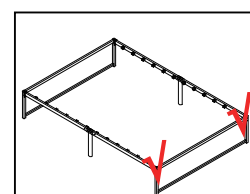
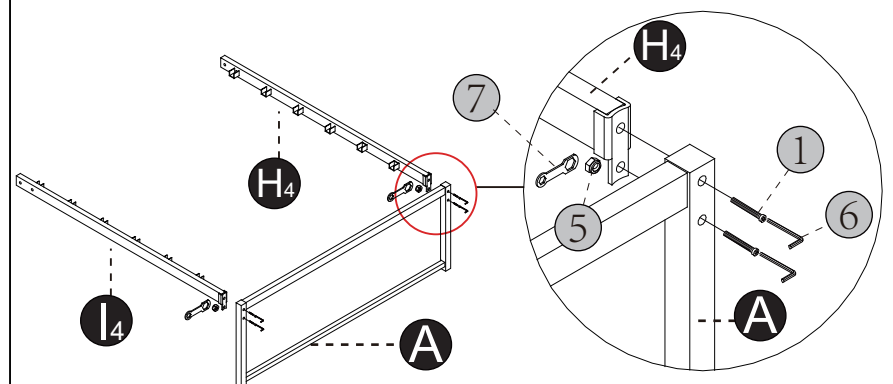
1		M8x40mm	x8
2		M8x35mm	x8
3		M6x40mm	x4
4		M6x15mm	x4
5		M8	x12
6		M5	x1
7		M13/M10	x1

Check all the components & screws before assembly.
Do not install in case part is missing, contact us.

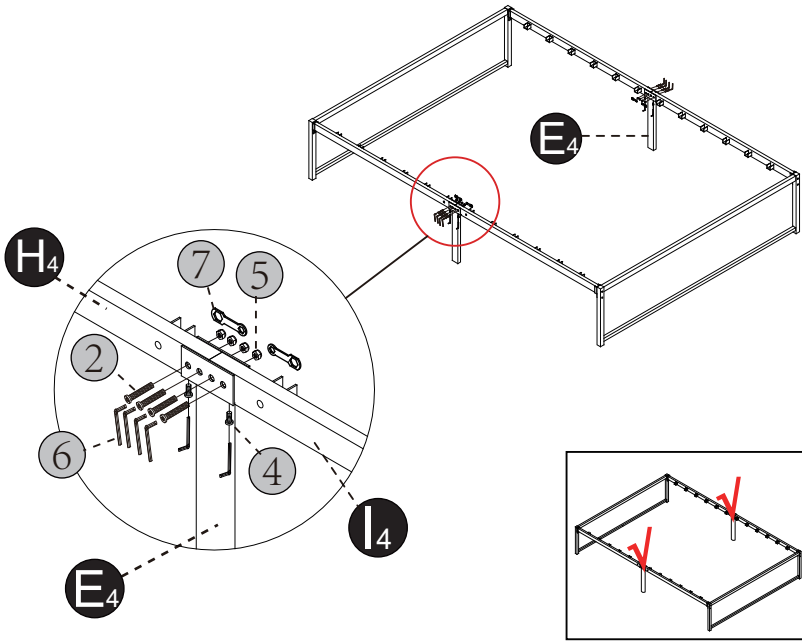
1 Connect A to H₄ & I₄



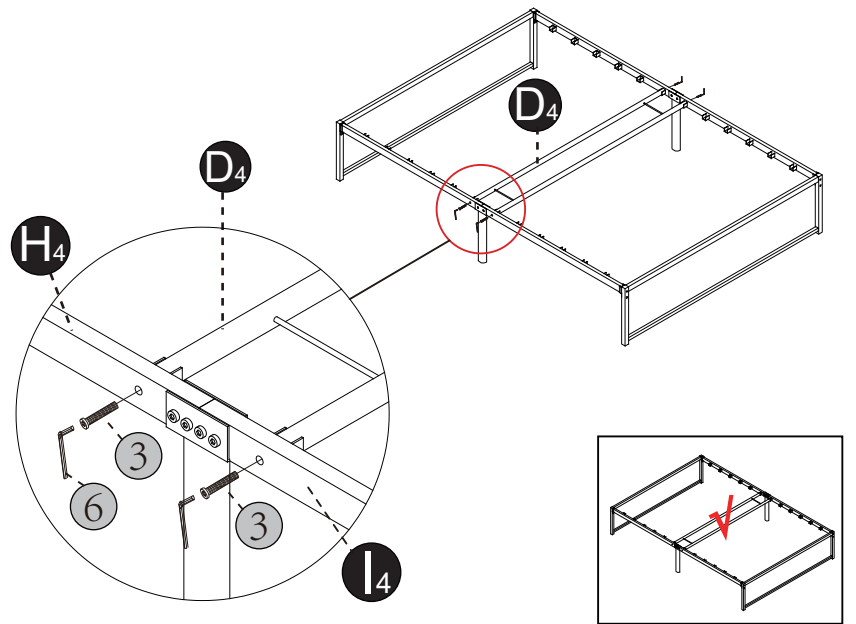
2 Connect A to H₄ & I₄



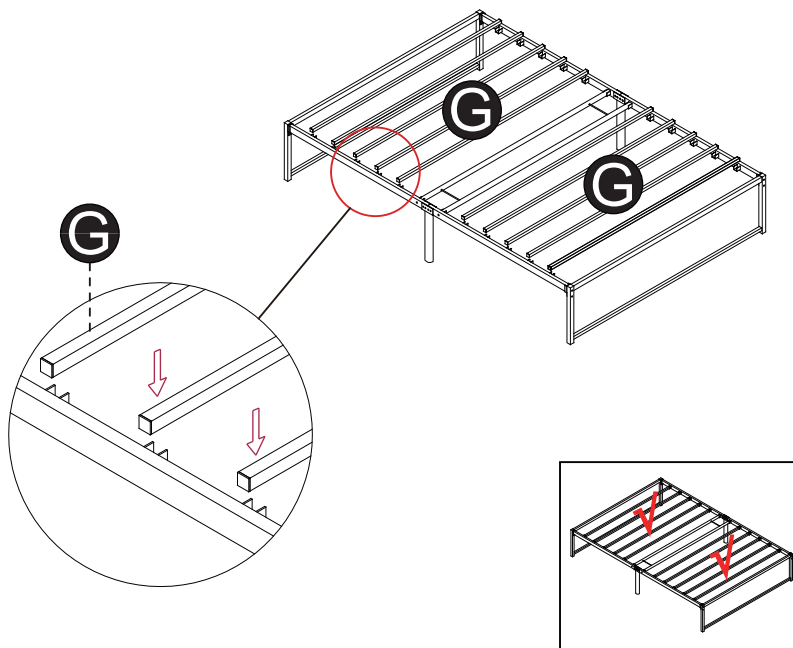
3 Connect **E₄** to **H₄** & **I₄**



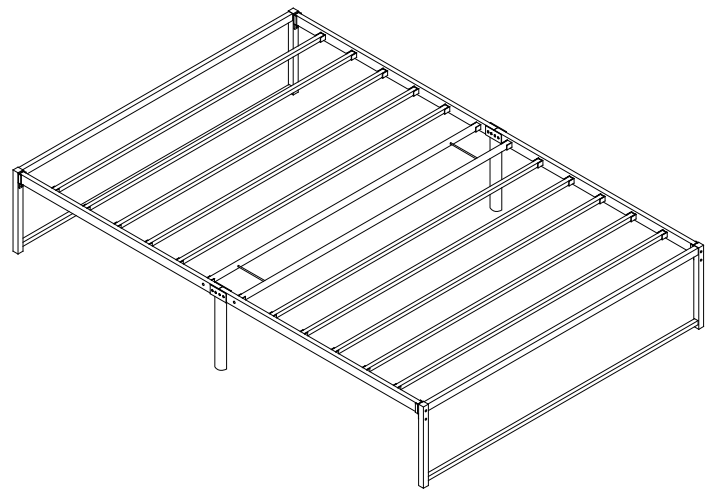
4 Connect **D₄** to **H₄** & **I₄**



5 Assemble bed slats



6 Check and tighten all screws



CAUTIONS!

