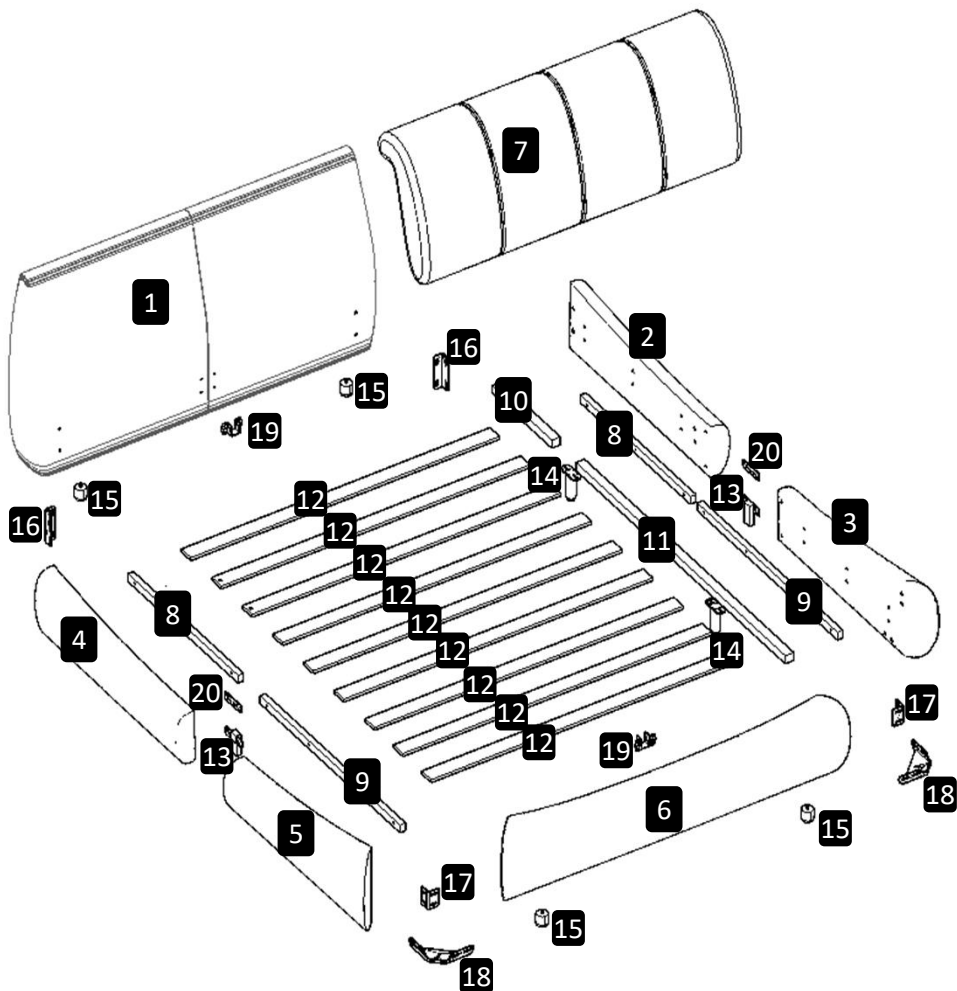
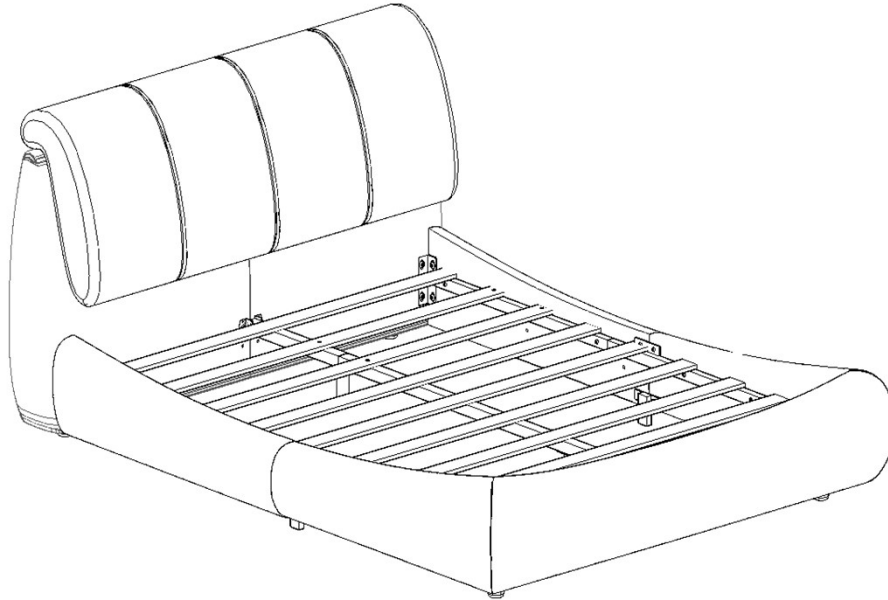
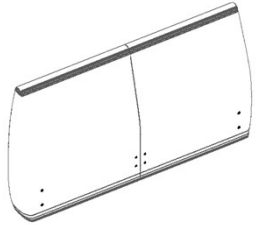
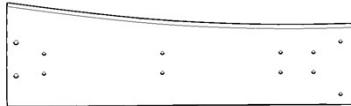
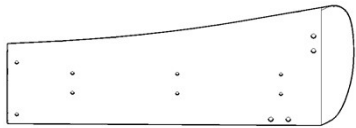
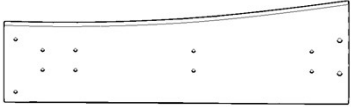
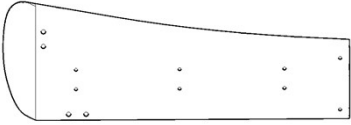
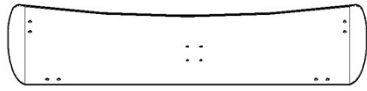
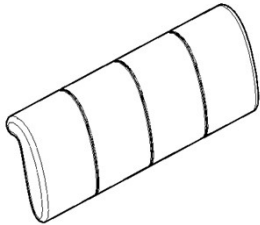
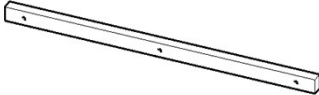





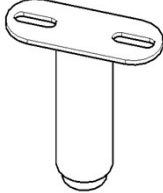

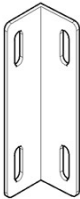
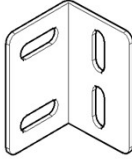
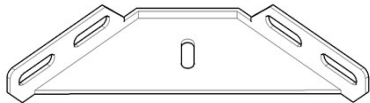


# ASSEMBLY INSTRUCTION

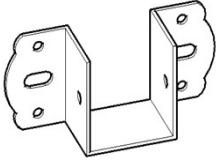
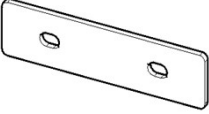
- TIPS**
1. This bed fit standard twin mattress 80" L x 76" W.
  2. Always use the recommended size mattresses or mattress supports, or both, to help prevent the likelihood of entrapment or falls.
  3. Do not allow horseplay on or under the bed and prohibit jumping on the bed.
  4. Do not use substitute part. Contact the manufacture or dealer for replacement part.









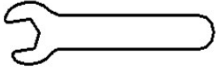

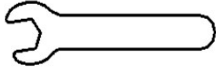


# Part List

<p>1</p>  <p>Headboard x1</p>	<p>2</p>  <p>Side Rail x1</p>	<p>3</p>  <p>Side Rail x1</p>
<p>4</p>  <p>Side Rail x1</p>	<p>5</p>  <p>Side Rail x1</p>	<p>6</p>  <p>Footboard x1</p>
<p>7</p>  <p>Soft Cushion x1</p>	<p>8</p>  <p>Side Support Bracket x2</p>	<p>9</p>  <p>Side Support Bracket x2</p>
<p>10</p>  <p>Support Frame x1</p>	<p>11</p>  <p>Support Frame x1</p>	<p>12</p>  <p>Slats x9</p>
<p>13</p>  <p>Short-Support Leg x2</p>	<p>14</p>  <p>Long-Support Leg x2</p>	<p>15</p>  <p>Plastic Feet x4</p>
<p>16</p>  <p>Long-Angle Lron x2</p>	<p>17</p>  <p>Short-Angle Lron x2</p>	<p>18</p>  <p>Triangle-Angle Lron x2</p>

## Part List

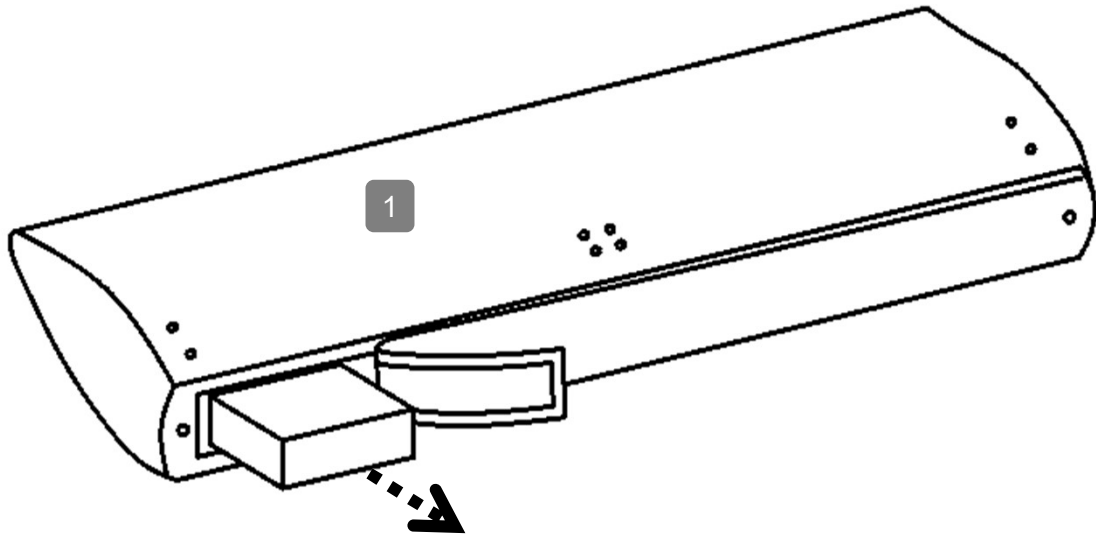
<p data-bbox="252 123 288 152">19</p>  <p data-bbox="256 414 539 443">U-Shaped Bracket x2</p>	<p data-bbox="649 123 686 152">20</p>  <p data-bbox="708 414 887 443">Iron Sheet x2</p>
--	--

## Hardware List

<p data-bbox="252 705 288 734">A</p>  <p data-bbox="252 871 544 900">Bolts(M6X20mm) X12</p>	<p data-bbox="649 705 686 734">B</p>  <p data-bbox="649 871 941 900">Bolts(M6X40mm) X14</p>	<p data-bbox="1051 705 1088 734">C</p>  <p data-bbox="1051 871 1343 900">Bolts(M8X20mm) X28</p>
<p data-bbox="252 913 288 943">D</p>  <p data-bbox="260 1081 536 1111">Bolts(M8X50mm) X2</p>	<p data-bbox="649 913 686 943">E</p>  <p data-bbox="719 1081 874 1111">Nut(M8) X4</p>	<p data-bbox="1051 913 1088 943">F</p>  <p data-bbox="1098 1081 1294 1111">Flat Gasket X4</p>
<p data-bbox="252 1122 288 1151">G</p>  <p data-bbox="288 1290 504 1319">Spanner(M6) X1</p>	<p data-bbox="649 1122 686 1151">H</p>  <p data-bbox="679 1290 911 1319">Allen Key(M6) X1</p>	<p data-bbox="1051 1122 1088 1151">I</p>  <p data-bbox="1086 1290 1302 1319">Spanner(M8) X1</p>
<p data-bbox="252 1330 288 1359">J</p>  <p data-bbox="280 1500 512 1529">Allen Key(M8) X1</p>	<p data-bbox="649 1330 686 1359">K</p>  <p data-bbox="639 1500 951 1529">Screws (M4X20mm) X6</p>	

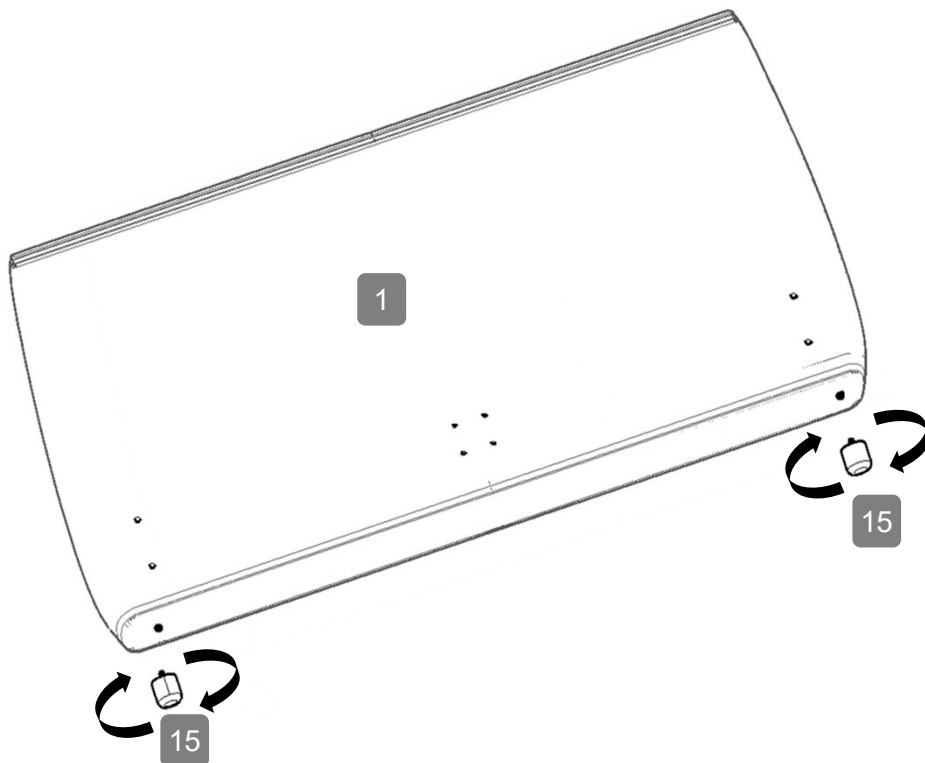
## Step1

**Attention:** Do not tighten the screws before completing the entire installation. If you have any difficulty with the installation process, please feel free to contact us.

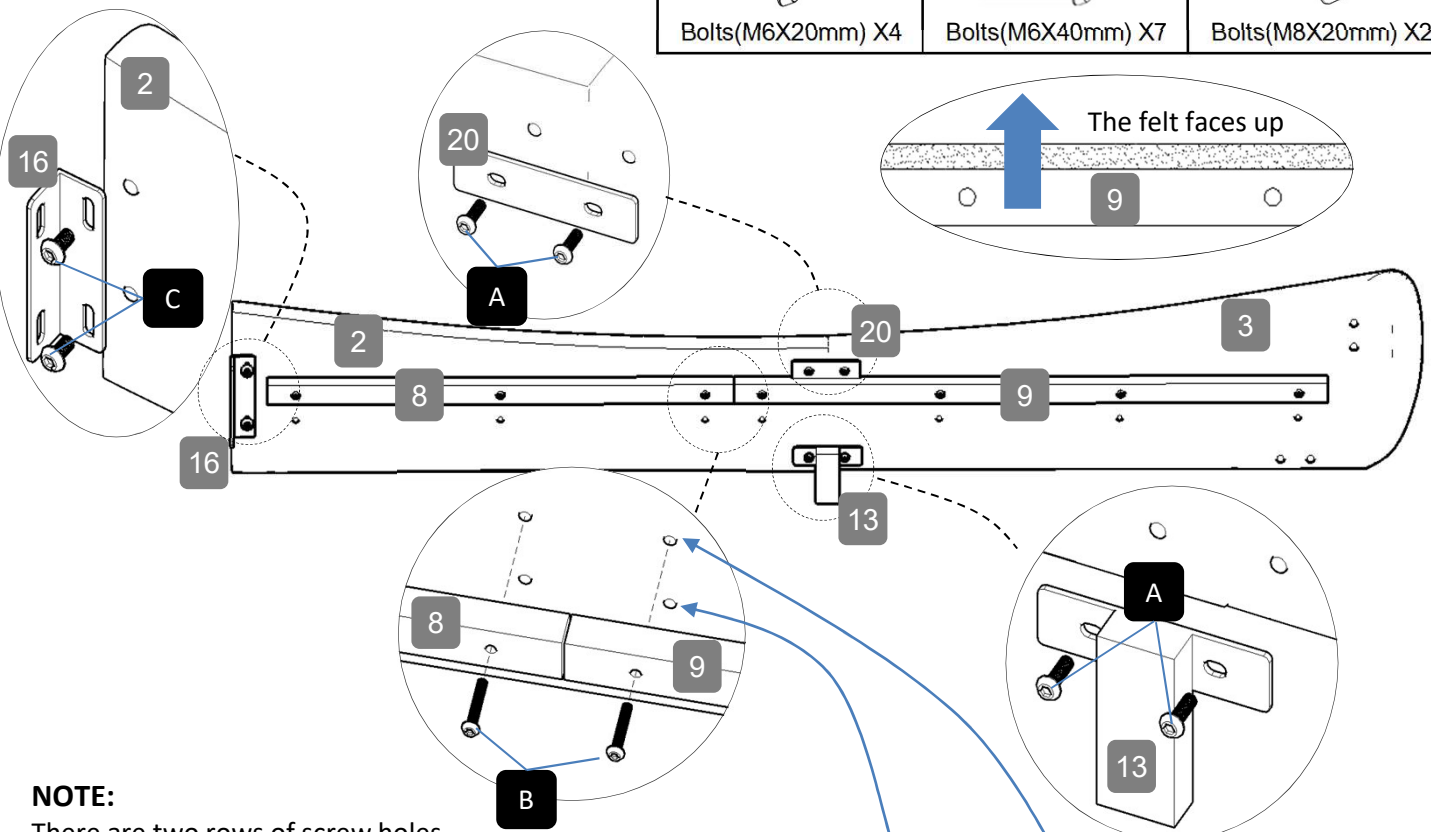


First, uncover the bottom cloth on the left side of the bed head, and then take out the hardware accessories carton

## Step2



# Step3



**A**  
Bolts(M6X20mm) X4

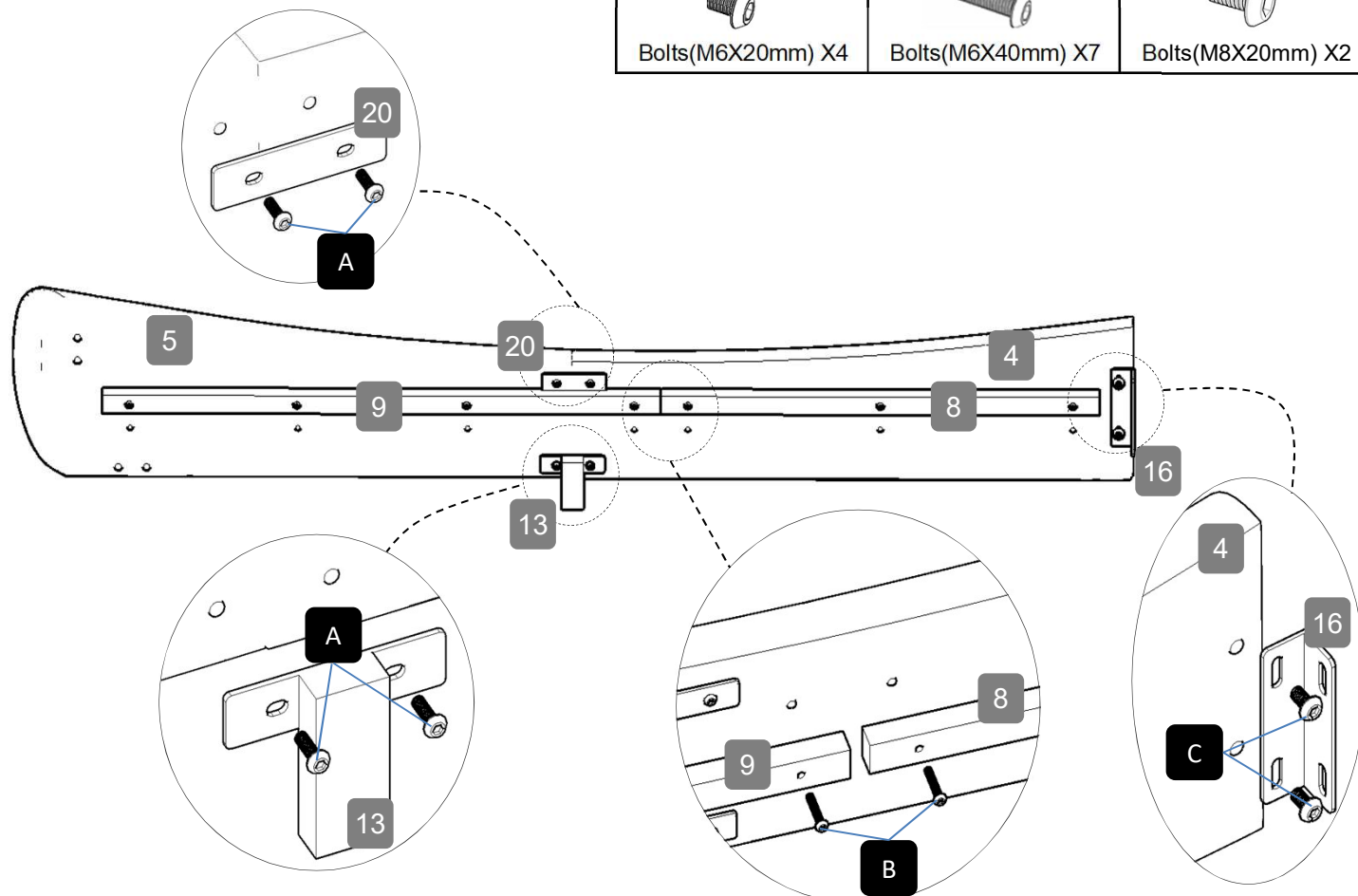
**B**  
Bolts(M6X40mm) X7

**C**  
Bolts(M8X20mm) X2

### NOTE:

There are two rows of screw holes.  
If the mattress is more than 12 inches thick, install parts 8 and 9 into the lower screw holes.  
If the mattress is less than 12 inches thick, install parts 8 and 9 into the screw holes on the upper level

# Step4






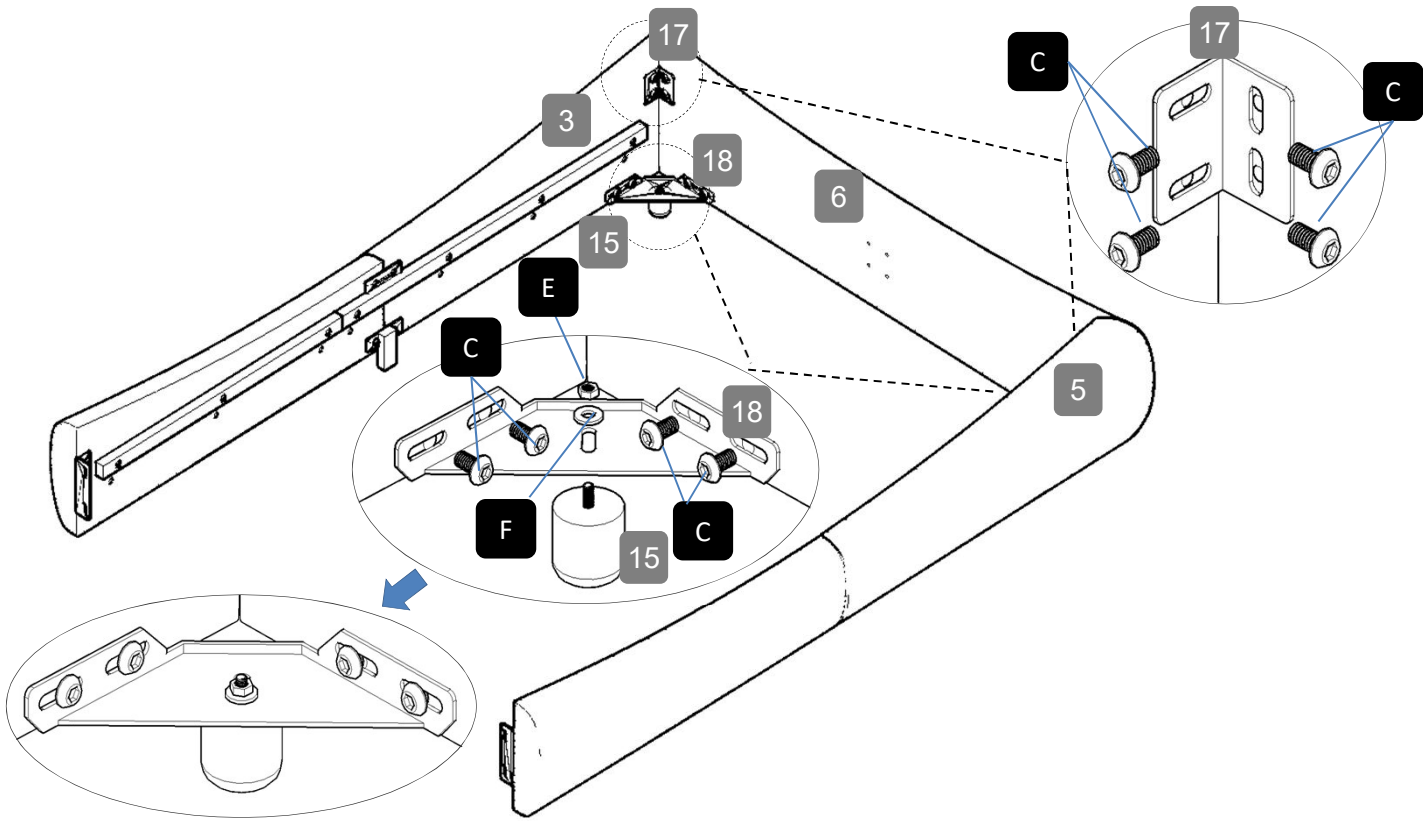
**A**  
Bolts(M6X20mm) X4

**B**  
Bolts(M6X40mm) X7

**C**  
Bolts(M8X20mm) X2

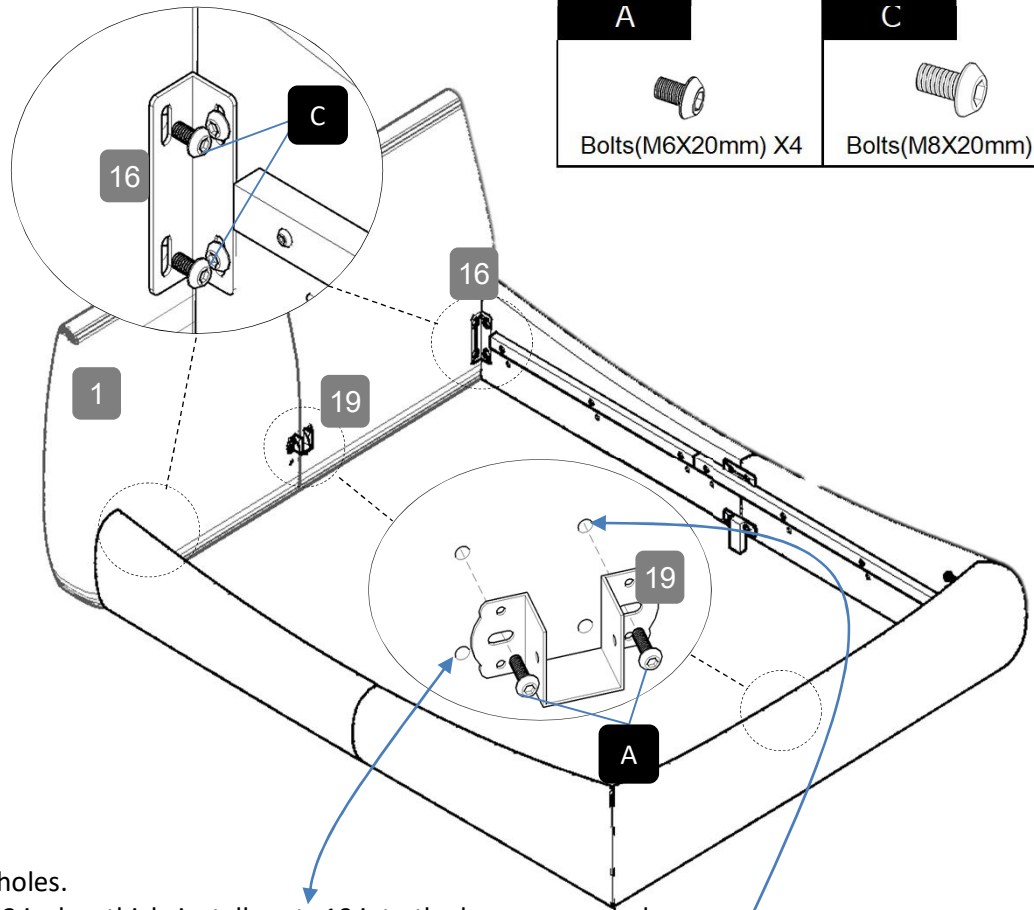
# Step5

<b>C</b>  Bolts(M8X20mm) X2	<b>E</b>  Nut(M8) X2	<b>F</b>  Flat Gasket X2
---	--	--



# Step6

<b>A</b>  Bolts(M6X20mm) X4	<b>C</b>  Bolts(M8X20mm) X4
--	--



**NOTE:**

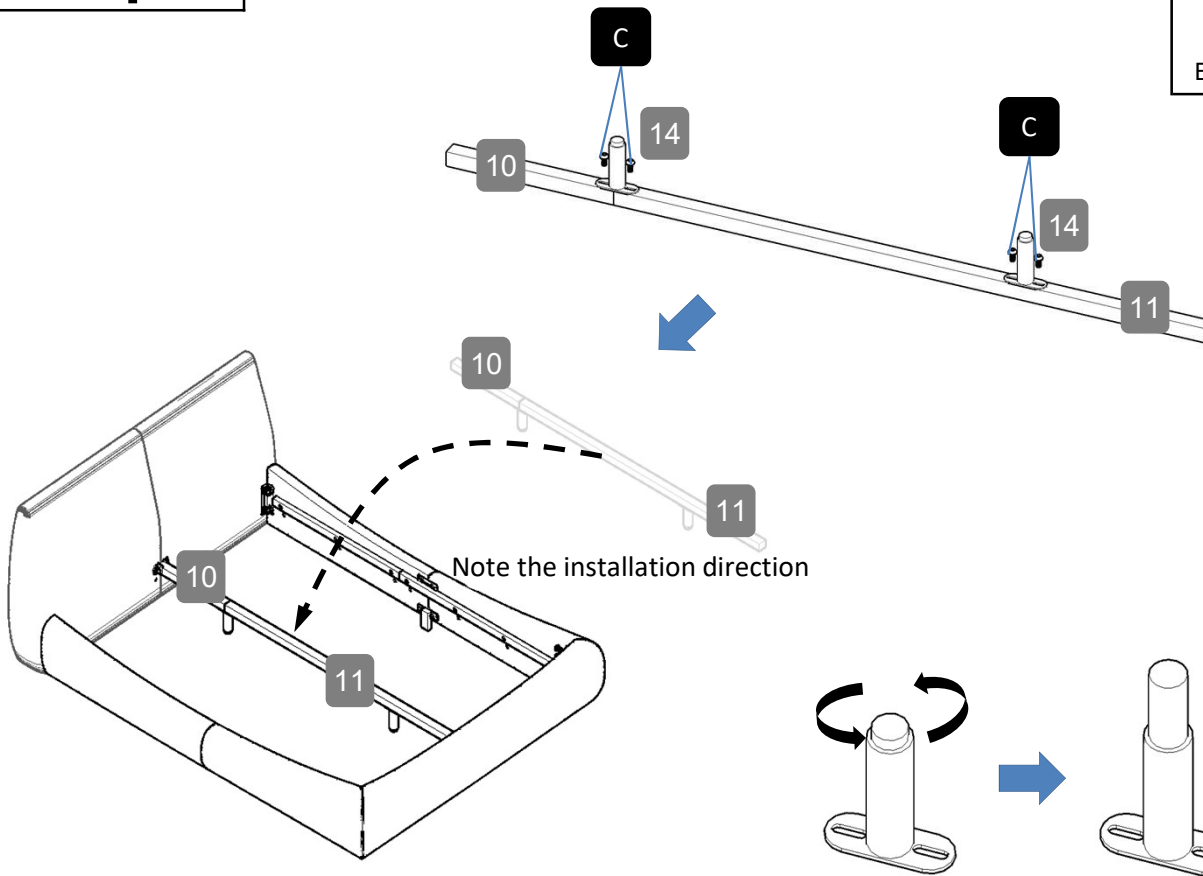
There are two rows of screw holes.  
If the mattress is more than 12 inches thick, install parts 19 into the lower screw holes.  
If the mattress is less than 12 inches thick, install parts 19 into the screw holes on the upper level

# Step7

C



Bolts(M8X20mm) X4



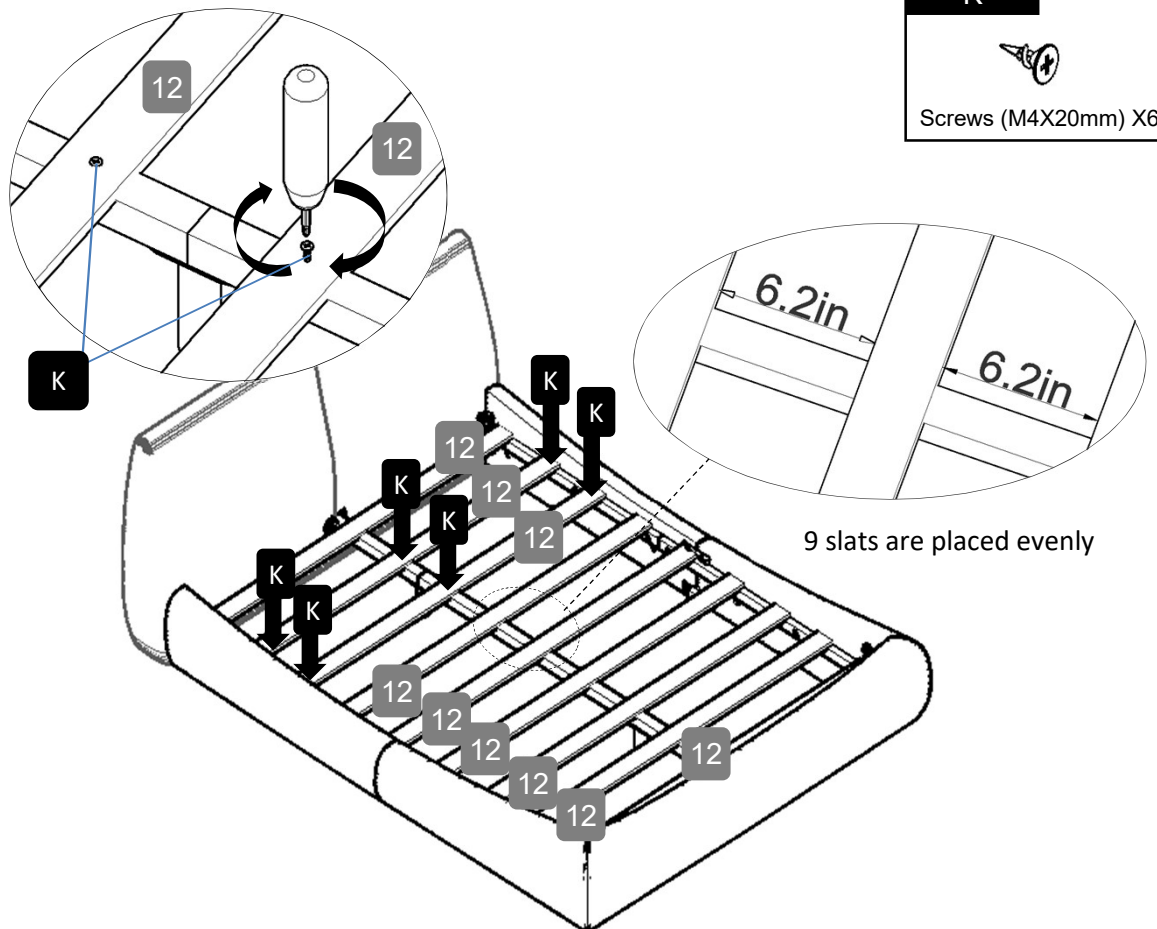
**Note:** The height of the foot can be adjusted by rotating the foot

# Step8

K

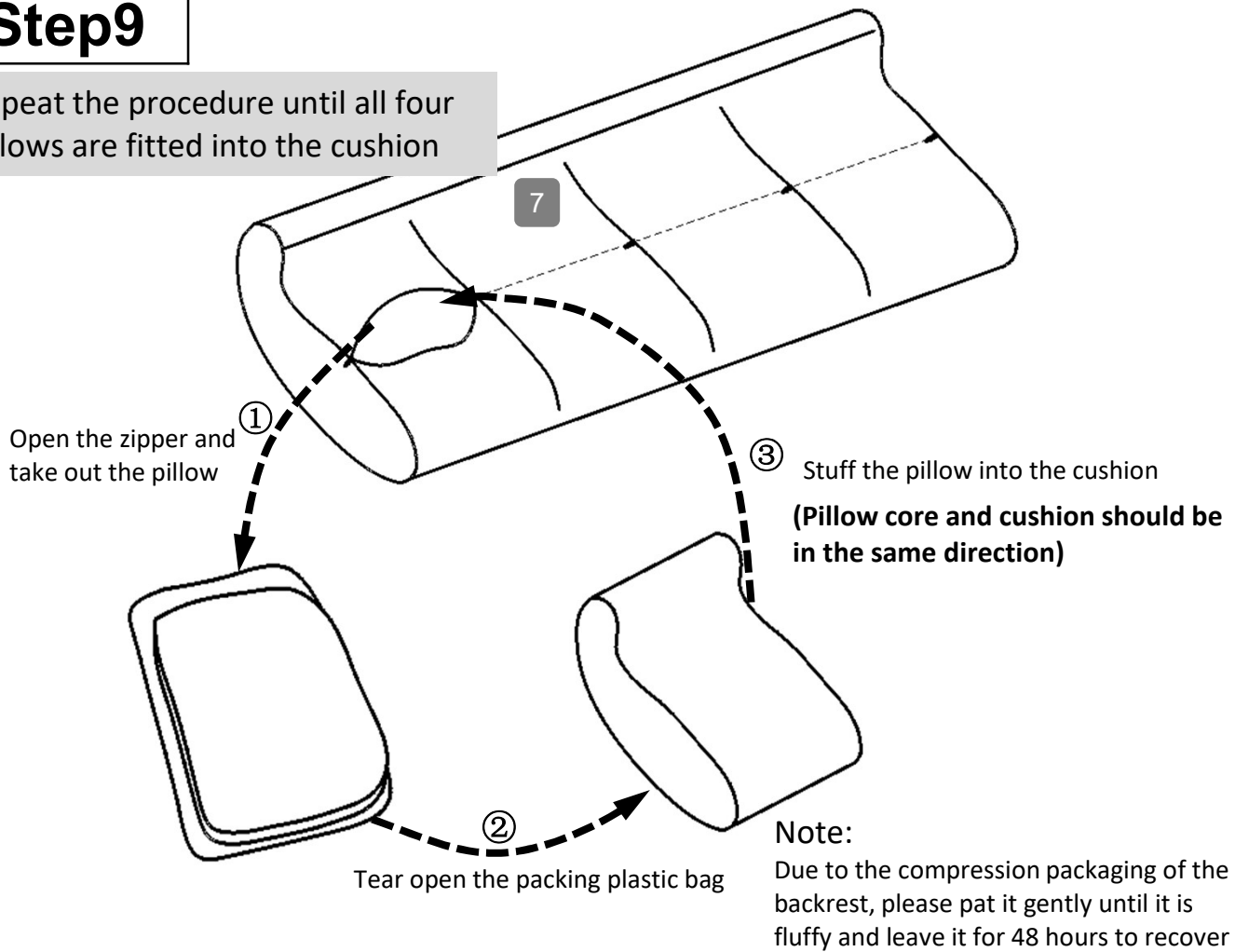


Screws (M4X20mm) X6



## Step9

Repeat the procedure until all four pillows are fitted into the cushion



## Step10

