

ASSEMBLY INSTRUCTIONS

NOMAD TV STAND

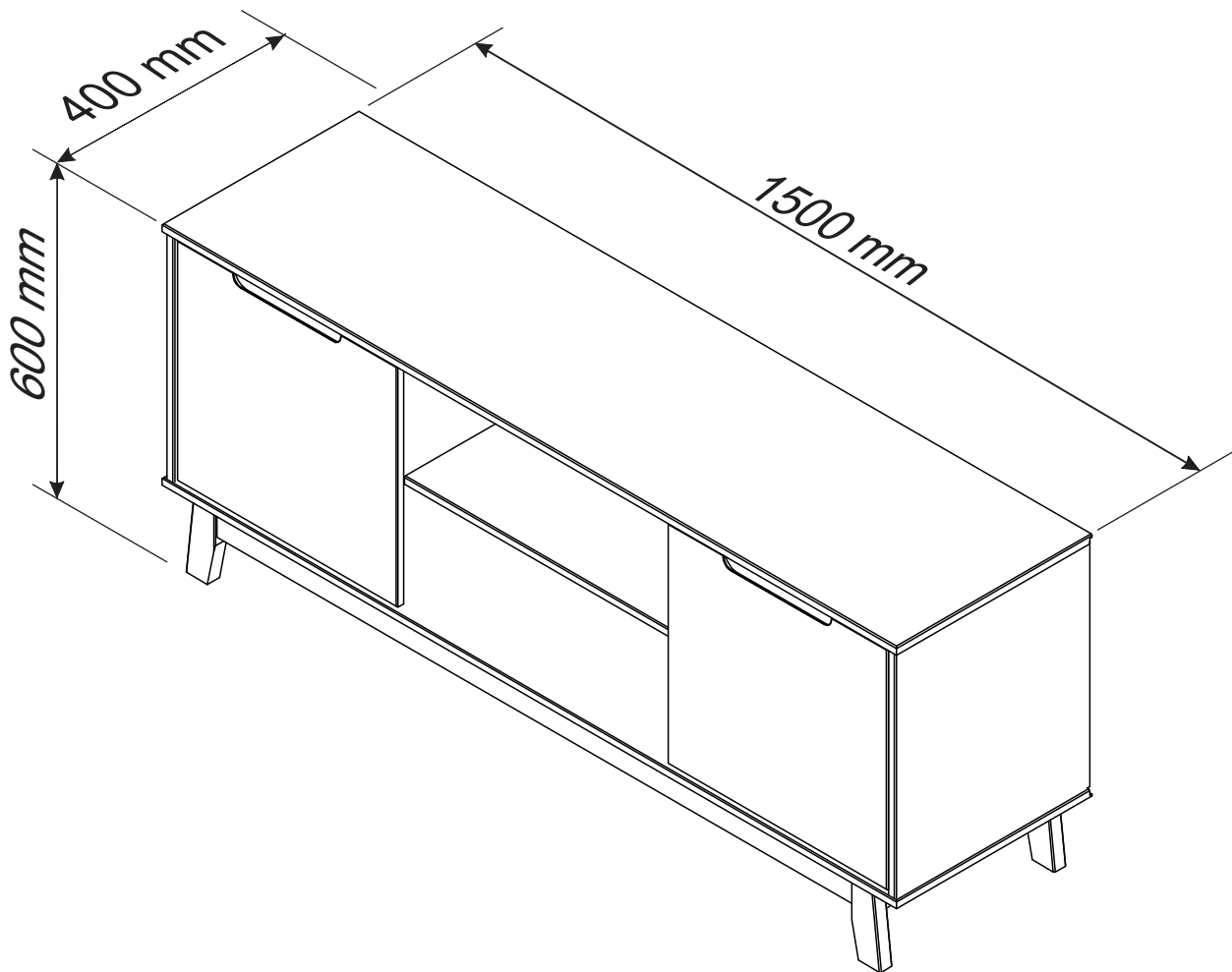
Approximate Assembly Time



People Required to Assemble



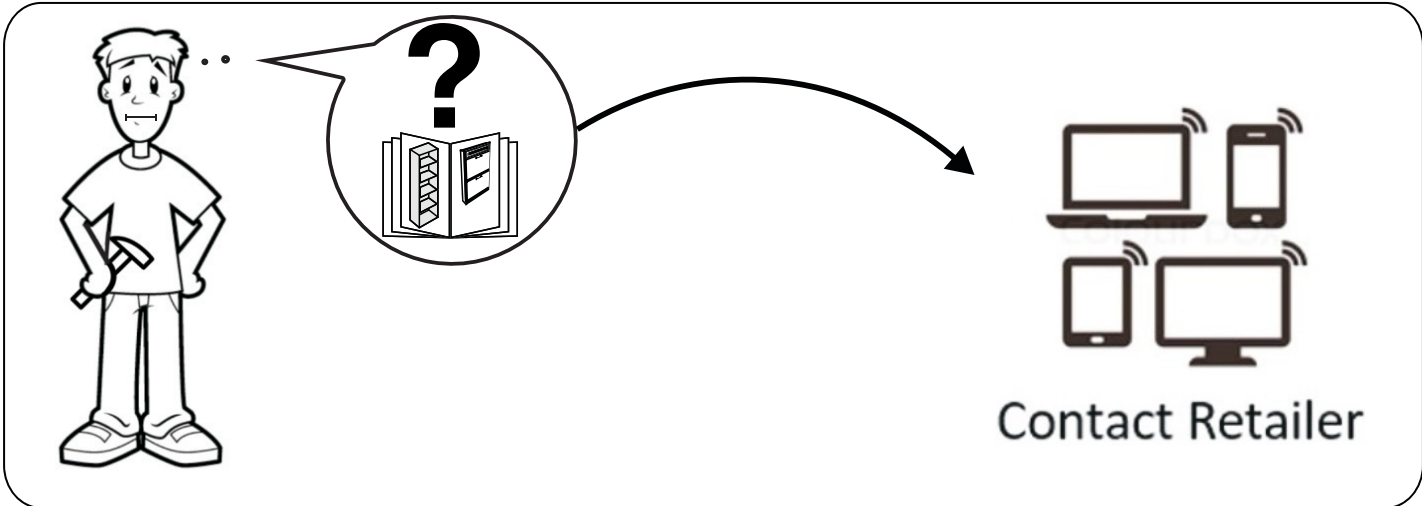
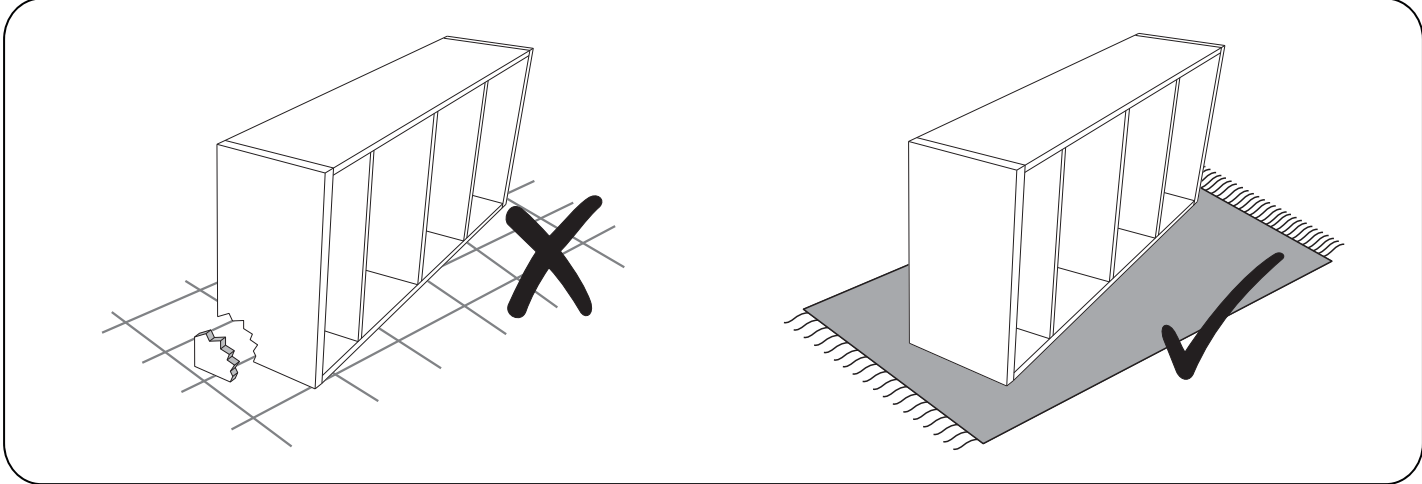
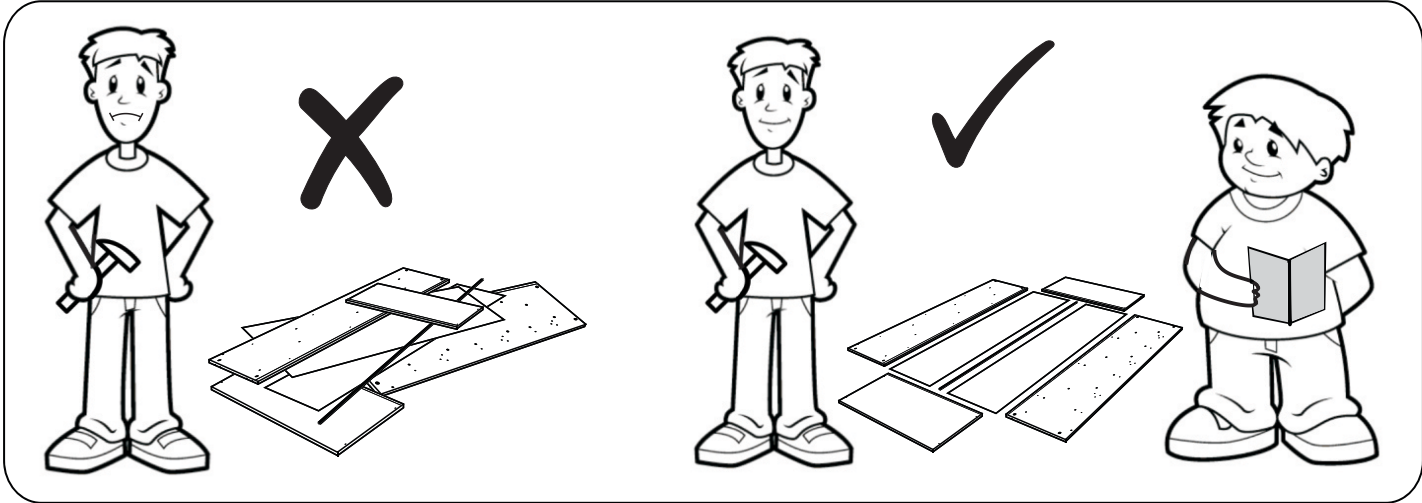
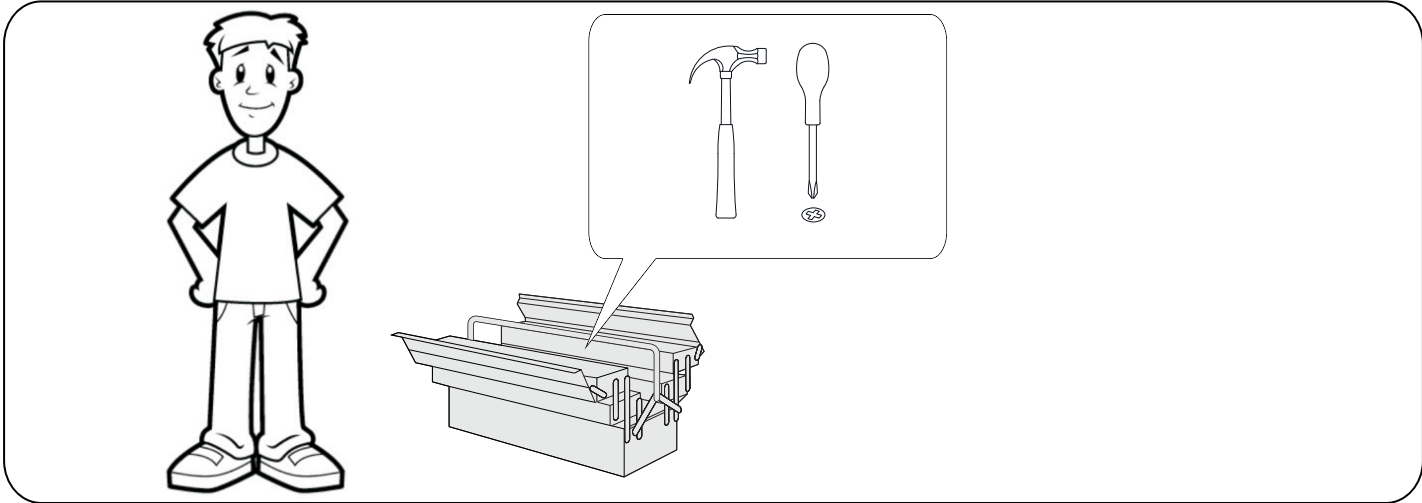
Tools Required



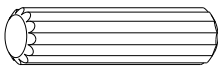




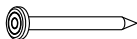
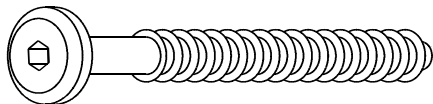

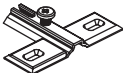
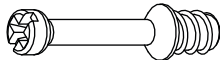







Before you start...

Please carefully unpack and lay out all of the component parts to ensure nothing is missing and to check each component for any obvious damage.

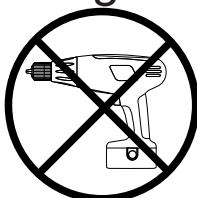
Should you identify any concerns at this stage please contact the retailer from whom this product was purchased. Please quote your order number, details of your issue, the product code, and the batch number from the cartons which will help to resolve your issue as quickly as possible.



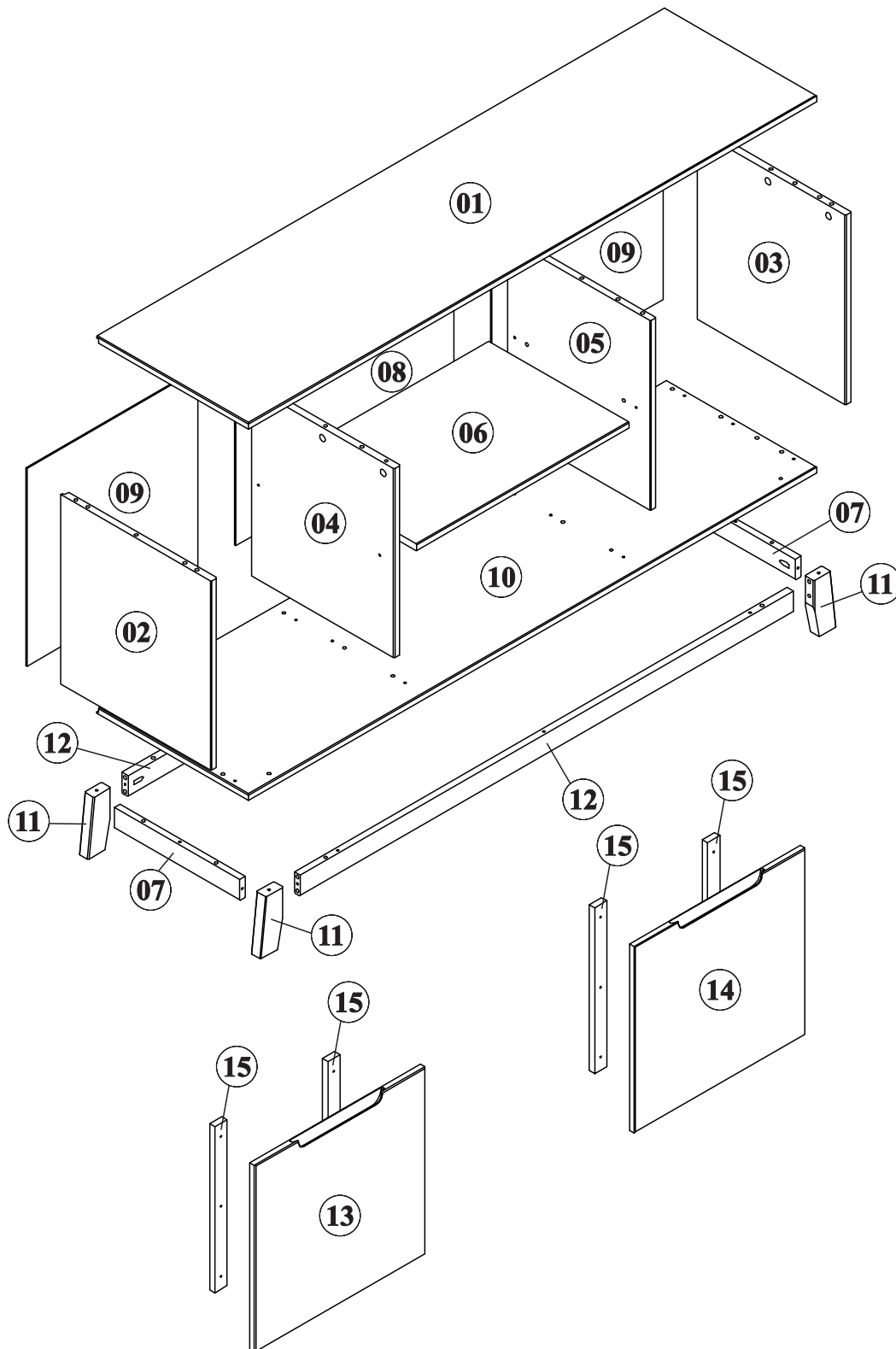
Please check all hardware matches the list below. Should you notice any are missing please contact your retailer.

A		Ø8*30mm	Wooden dowel	42 pcs
B		Ø3,5x14mm	Screw	16 pcs
C		Ø4,0*25mm	Screw	12 pcs
D		Ø3,5*30mm	Screw	08 pcs
E		Ø4,0*40mm	Screw	24 pcs
F		Ø10*10mm	Nail	60 pcs
G		Ø7,0*60mm	Screw	04 pcs
H		4mm	Hex Key	01 pc
I				04 pcs
J		Ø15*30mm	Cam bolt	12 pcs
K		Ø15*10mm	Cam lock	12 pcs
L			Wall anchor	01 pc
M			Washer	02 pcs
N		Ø6*35mm		01 pc
O		Ø4*16mm	Screw	01 pc
P		Ø4,0*40mm	Screw	01 pc
Q				04 pcs

We strongly advise that you do not use Power Tools, such as drills or electric screwdrivers during the assembly as this may cause irreparable damage and will invalidate your warranty.



PARTS



Please ensure you carefully check all the pieces, should you have any concerns please contact the retailer before assembly commences. Please have your order number, details of the issue, the product code, and the batch number from the cartons as this will help us to resolve your issue much faster.

ASSEMBLY ADVICE

Please take the time to carefully read through these instructions before you commence.

Keep these instructions for future reference.

We advise that the product is assembled in the room it is intended for.

We advise that you keep the hardware in a bowl during assembly to avoid losing anything.

We strongly recommend that you keep children away from the work area.

Small component parts could choke a child if swallowed.

We recommend you use a sheet or blanket to protect both floor and product through the assembly stages.

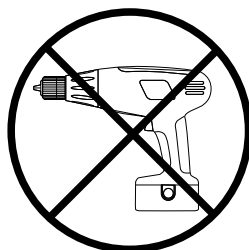
This product is heavy, and we recommend a 2 person lift to avoid personal injury or damage to the product.

Never push or pull the product as this could cause both personal injury or irreparable damage to product or floor.

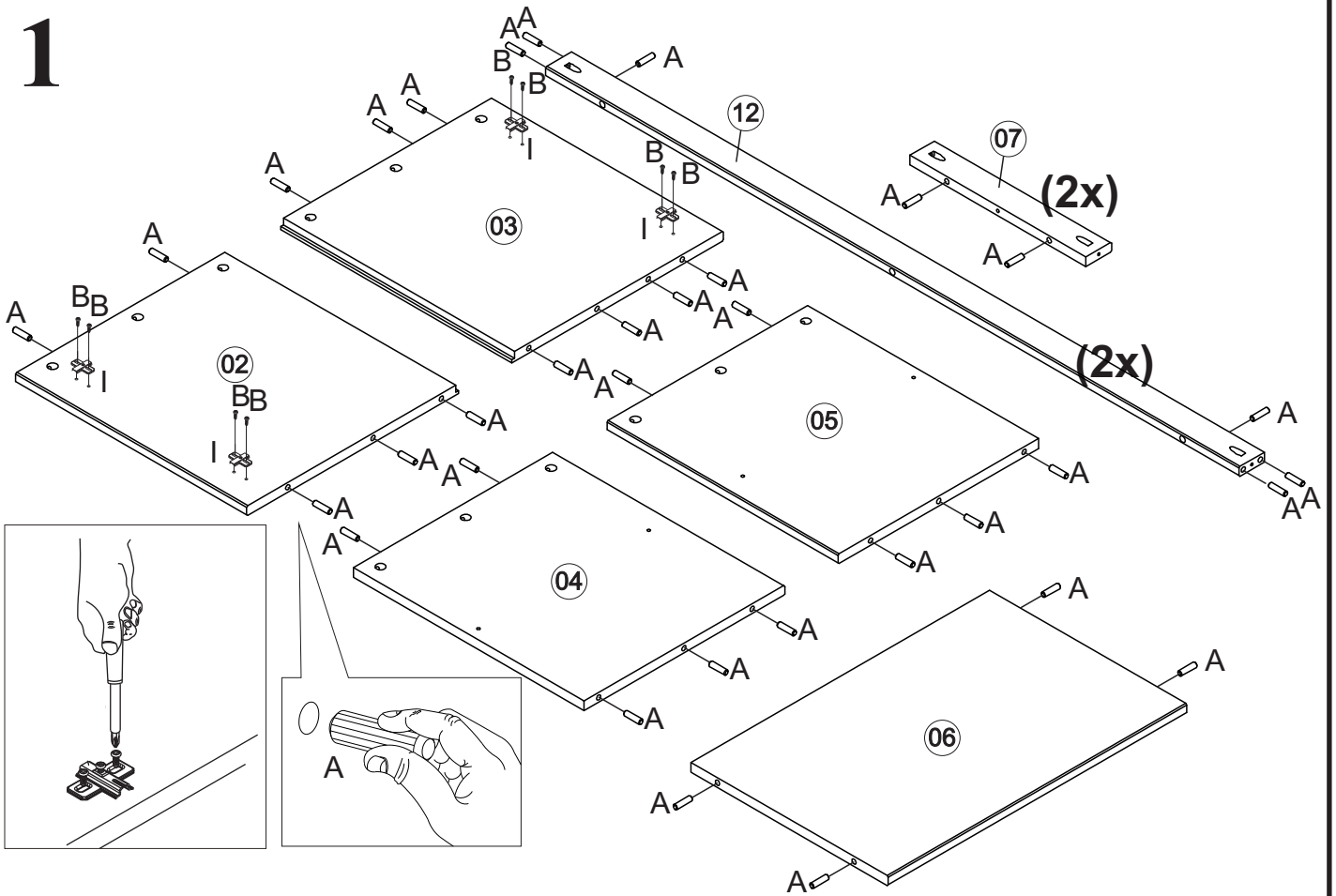
We have tried to make this piece of furniture easy to assemble if the instructions are followed carefully.


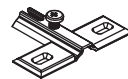
In the unlikely event that you have problems with assembling the product or have missing or damaged parts, please contact your retailer and we will assist them in rectifying the problem as quickly as possible.

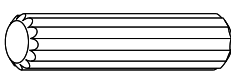
Please remember we strongly urge you DO NOT use power tools such as drill or electric screwdrivers as this could cause irreparable damage to your product and will invalidate your warranty.



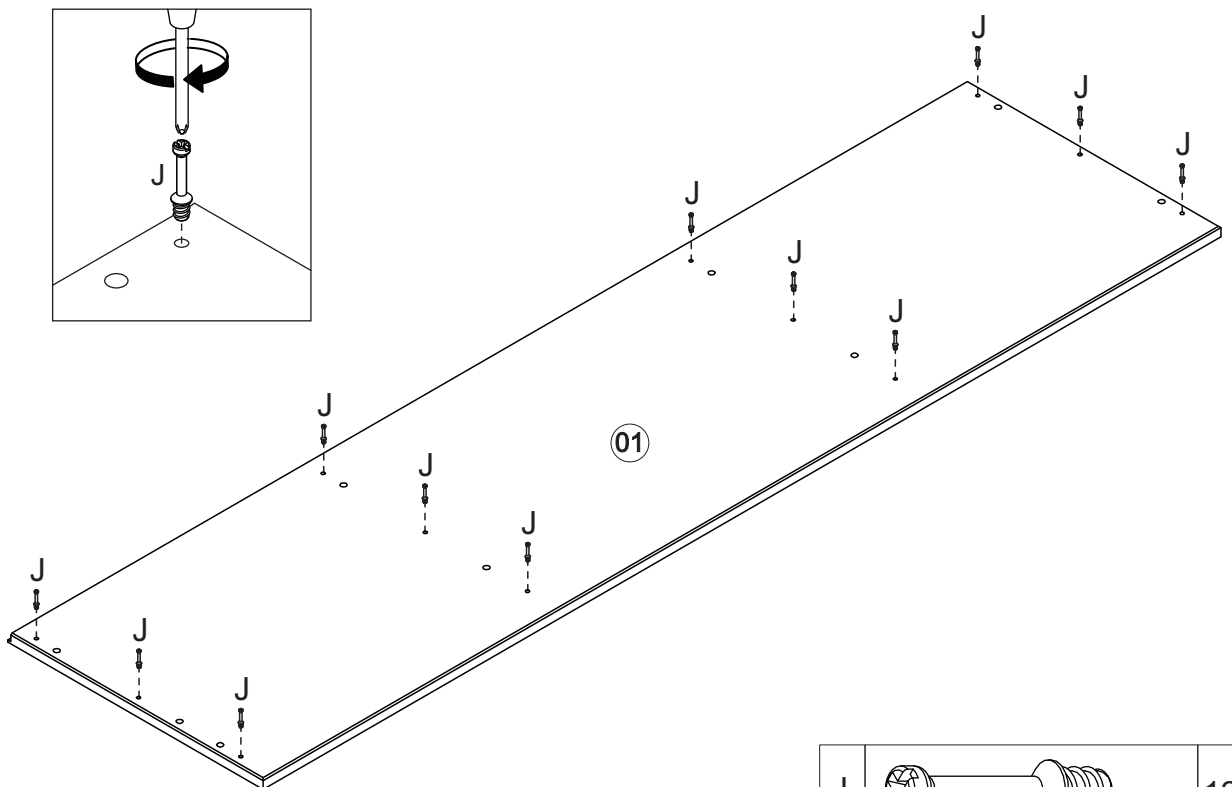
1

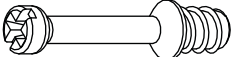


B		08
		Ø3,5*14mm
I		04

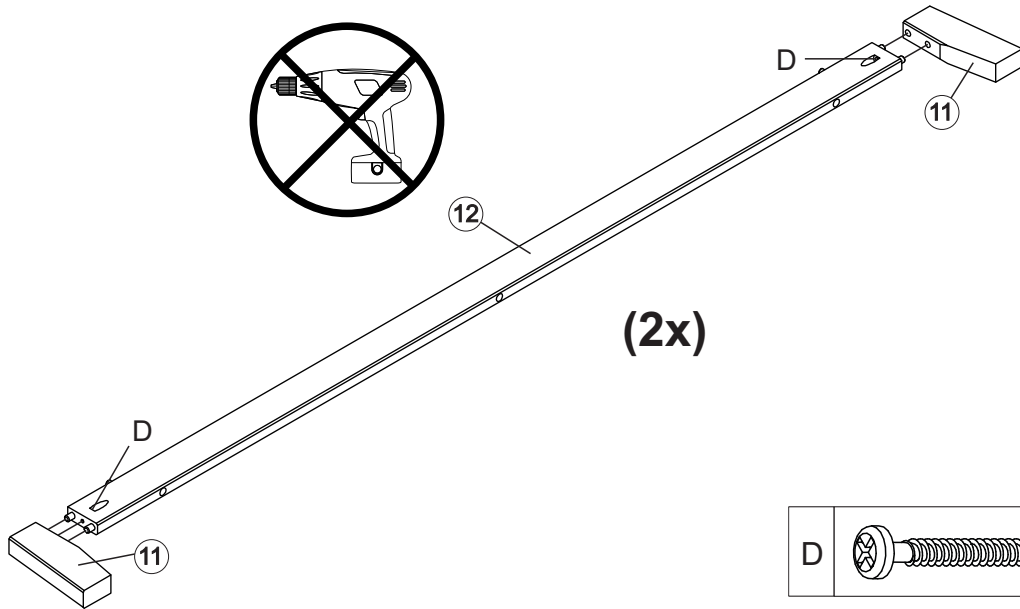
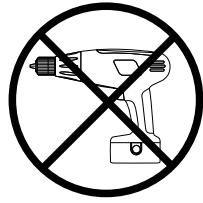
A		42
		Ø8*30mm

2



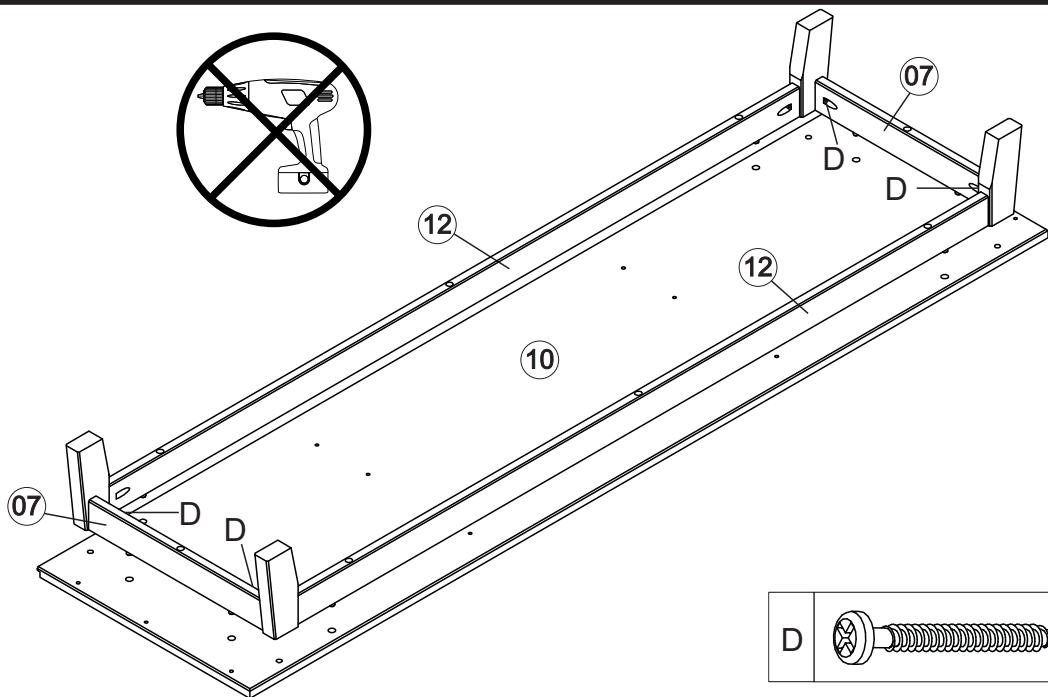
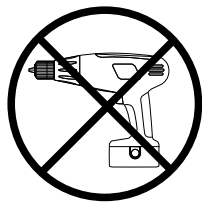
J		12
		Cam bolt

3



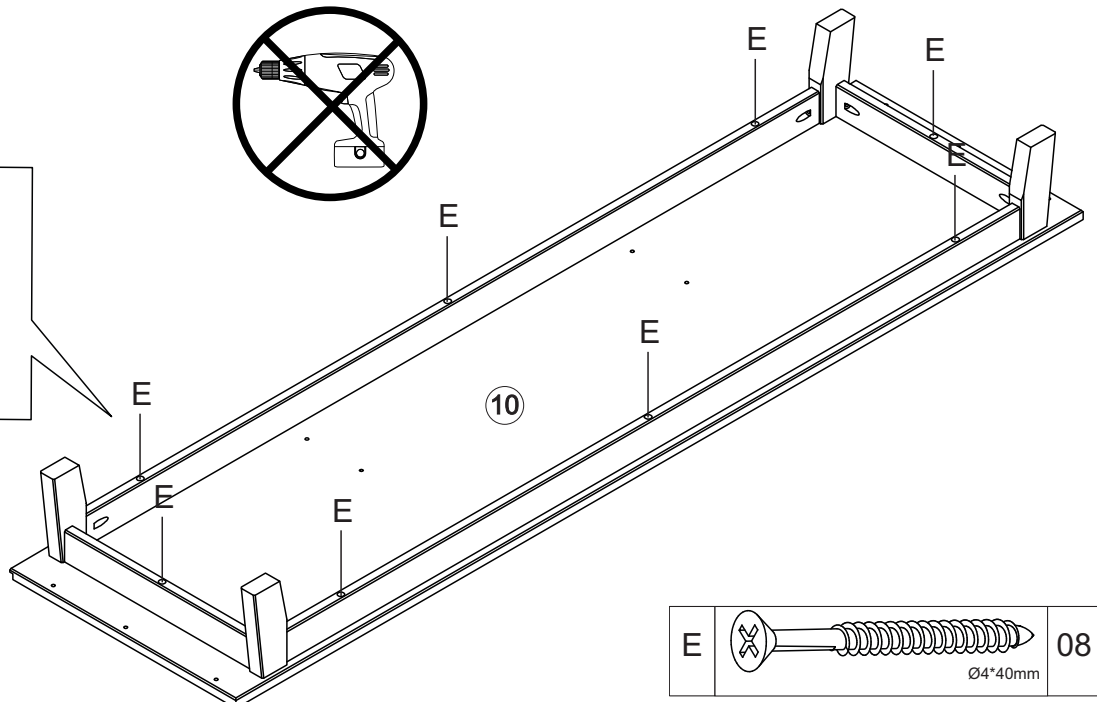
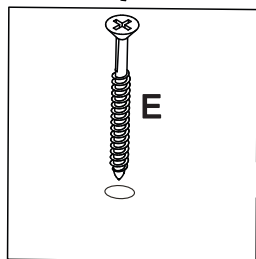
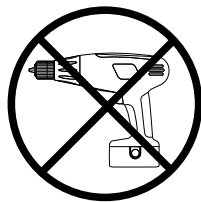
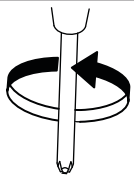
D		04
		Ø3,5*30mm

4



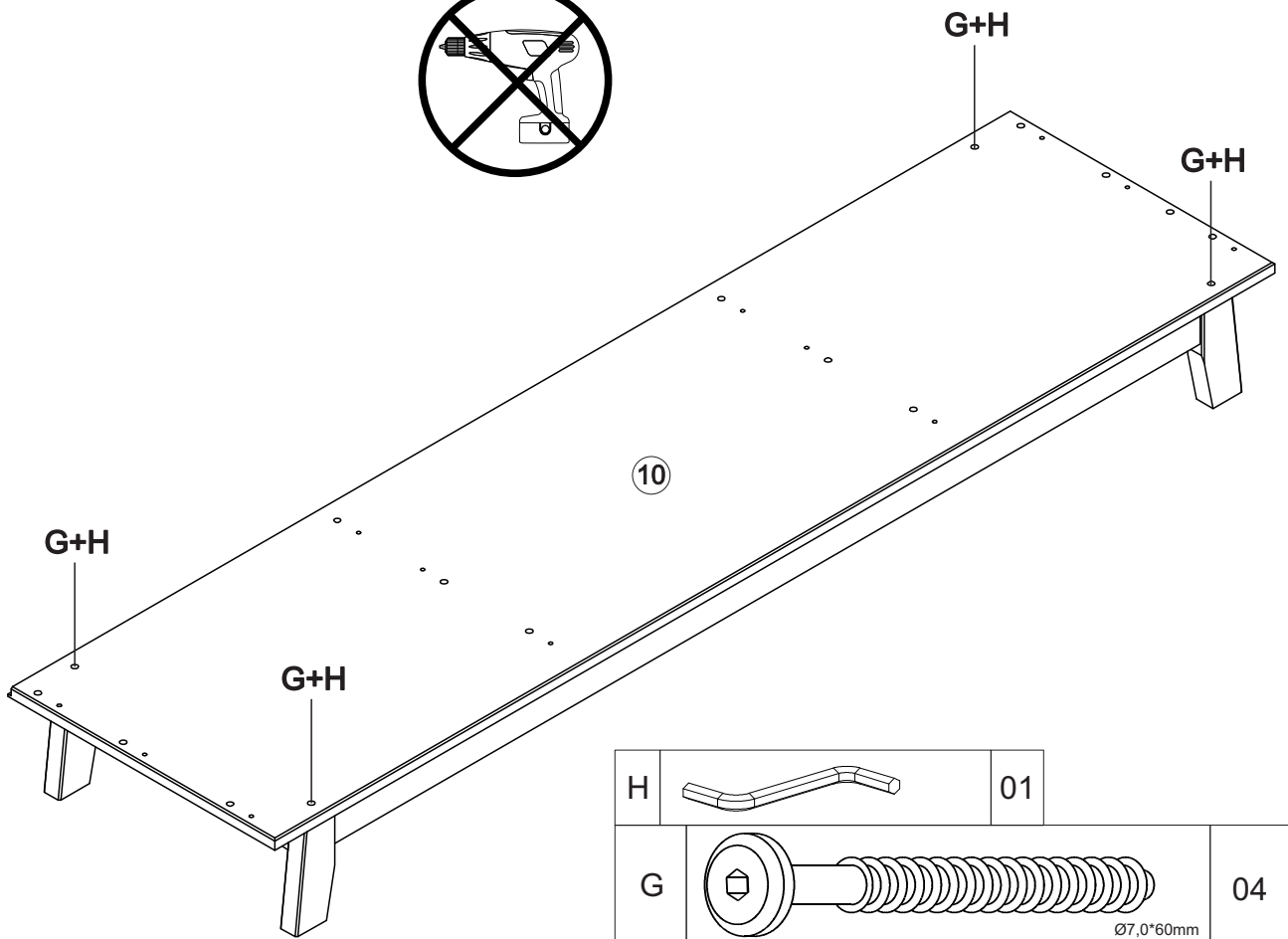
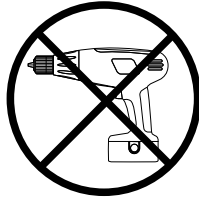
D		04
		Ø3,5*30mm

5

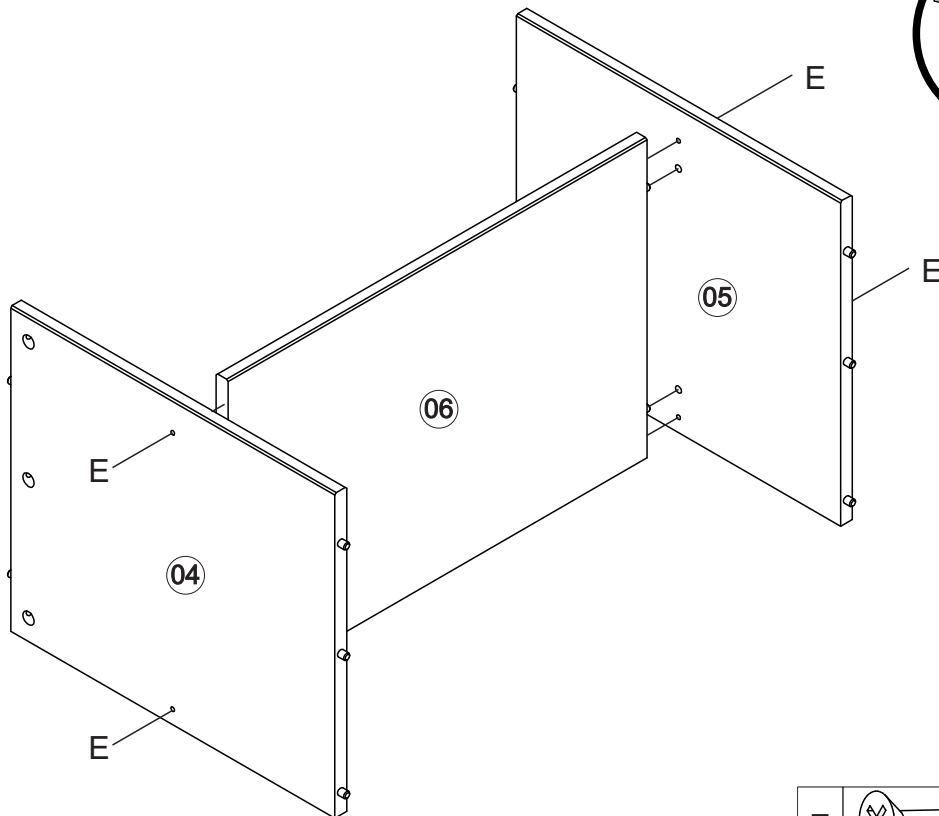
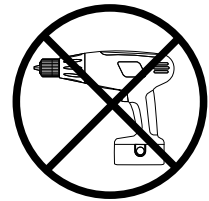


E		08
		Ø4*40mm

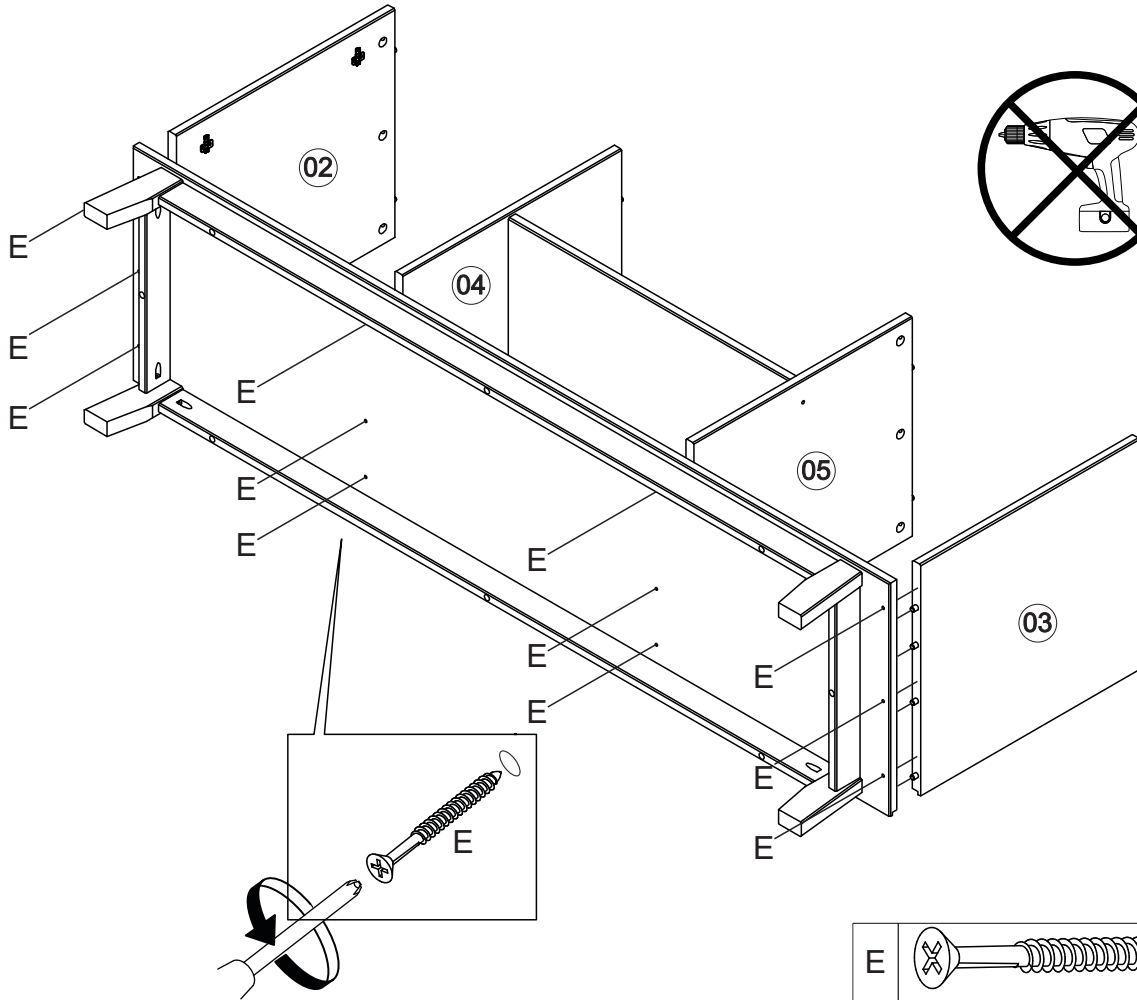
6




7

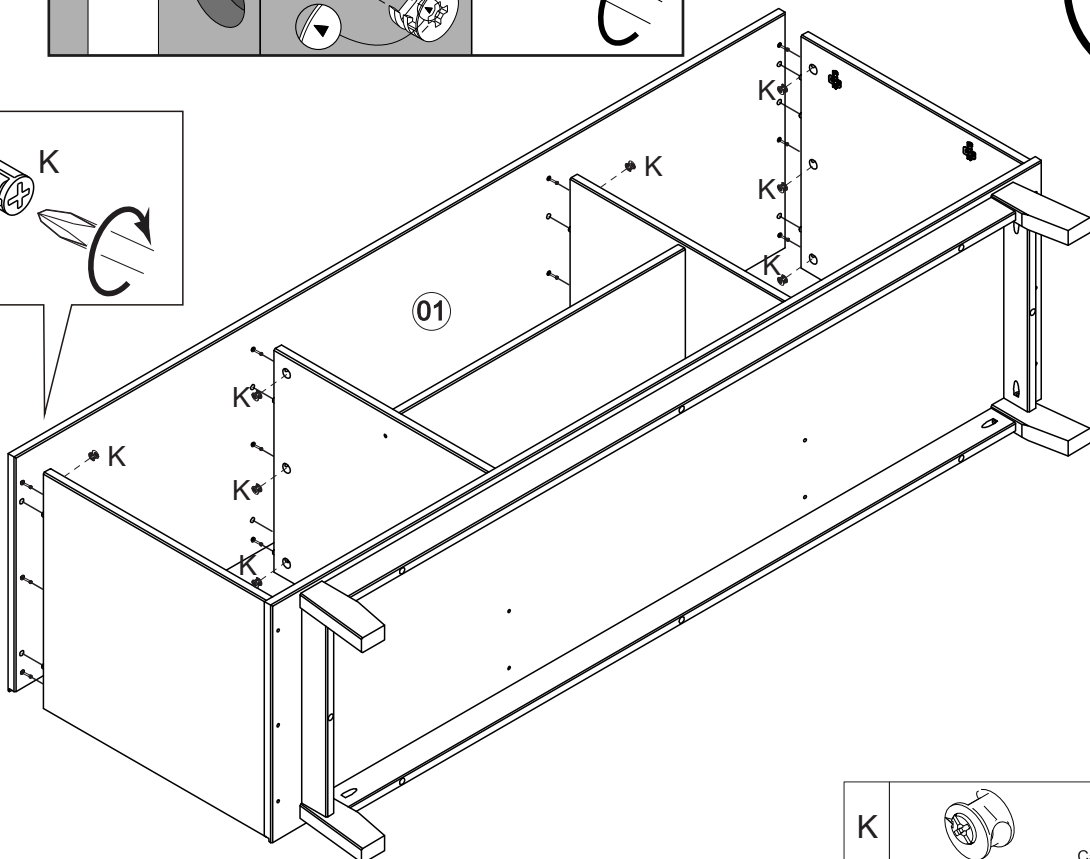
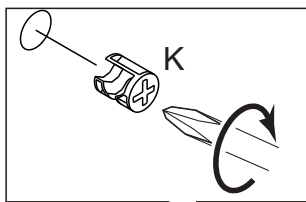
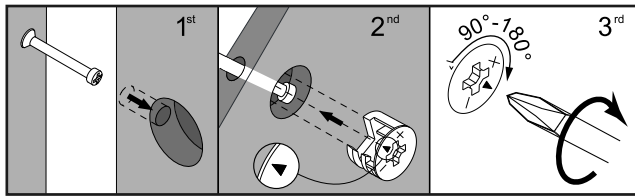



8



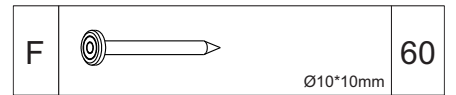
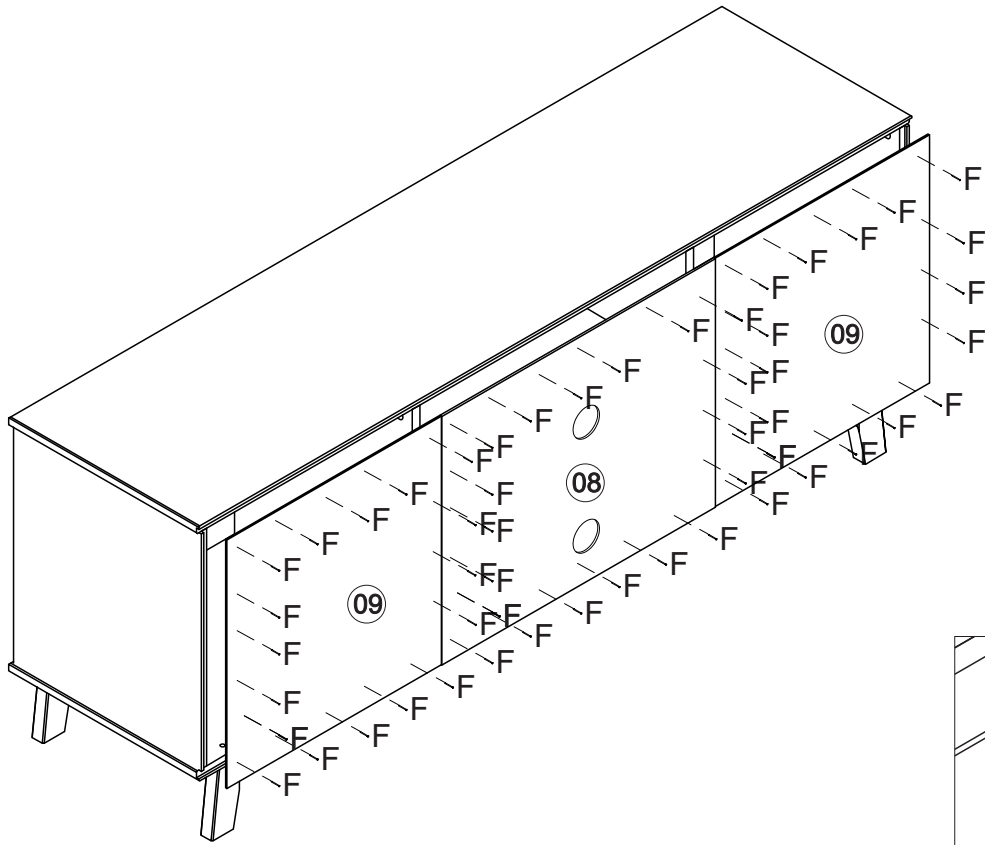
E		12 Ø4*40mm
---	---	---------------

9

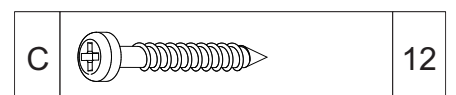
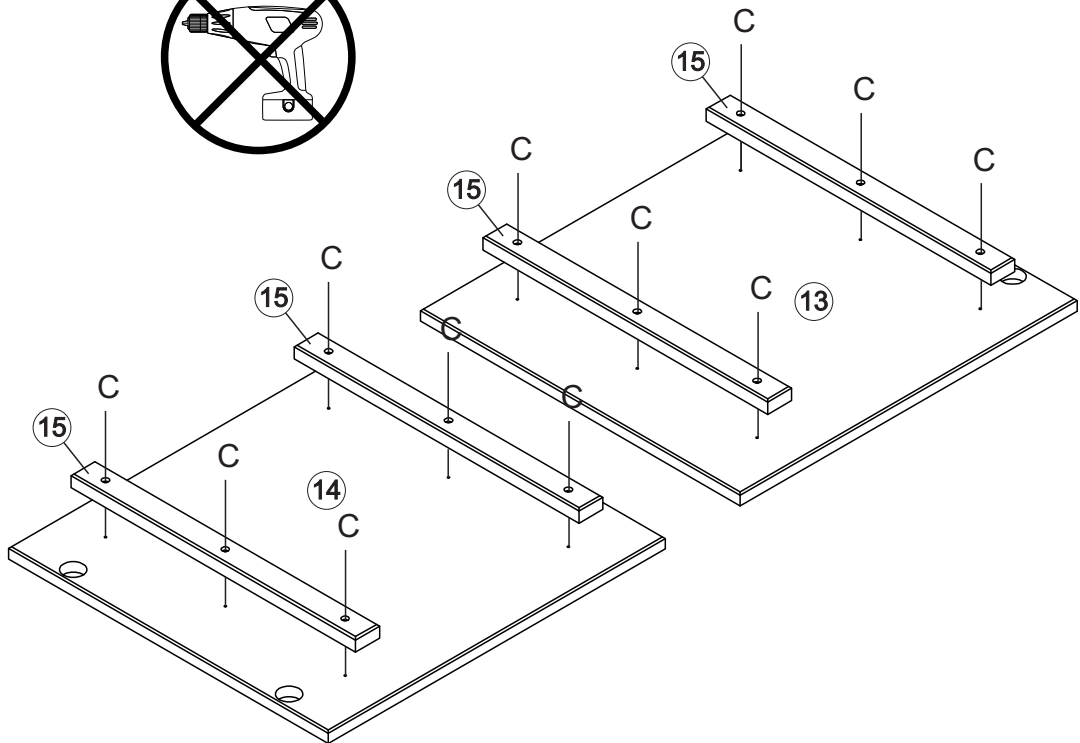
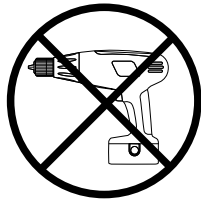


K		12 Cam lock
---	---	----------------

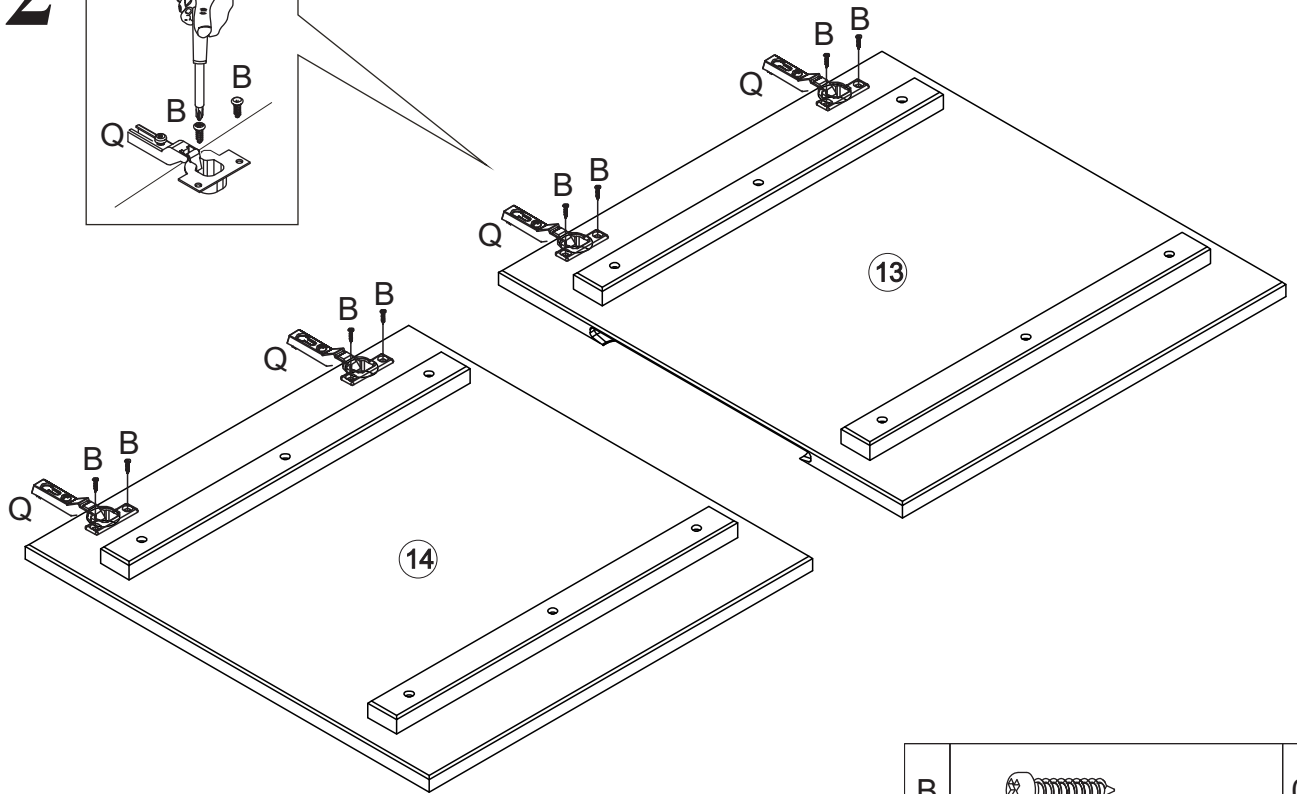
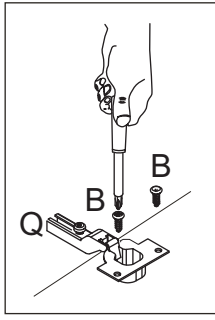
10


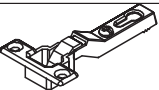


11

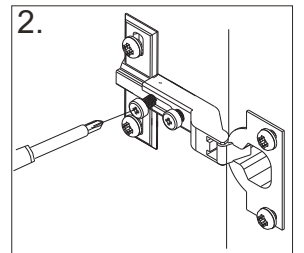
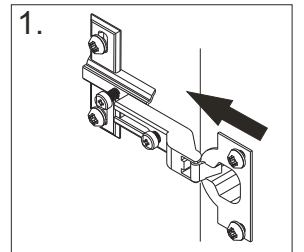
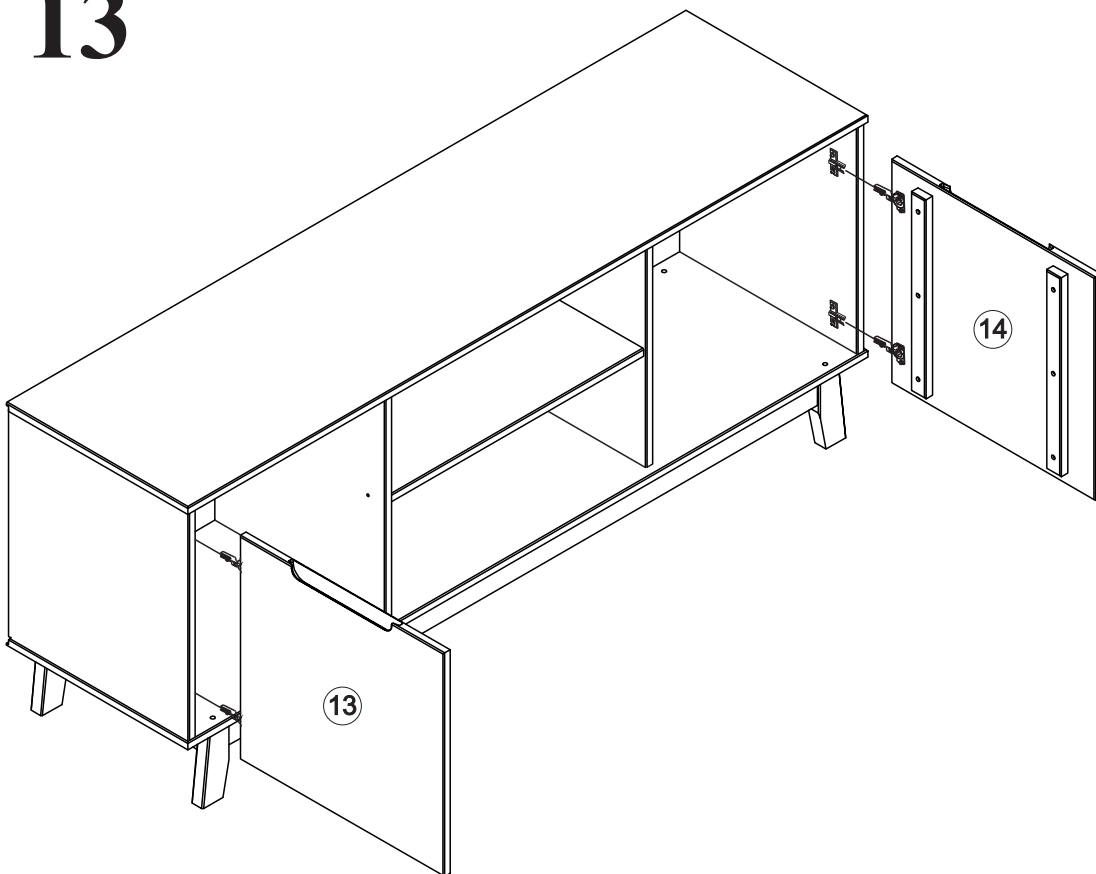


12



B		08 Ø3,5*14mm
Q		04

13

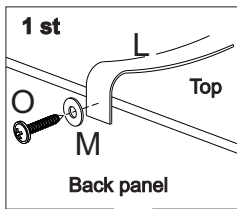


WARNING

14

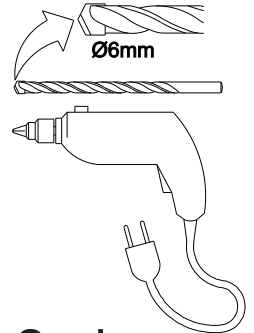
Serious or fatal injuries can occur from furniture tipping over. To prevent the furniture from tipping over we recommend that it is permanently fixed to the wall.

Wall anchor and hardware are included with this product. Please make sure hardware is suitable for your walls before installing, as different wall materials may require different types of anchors.



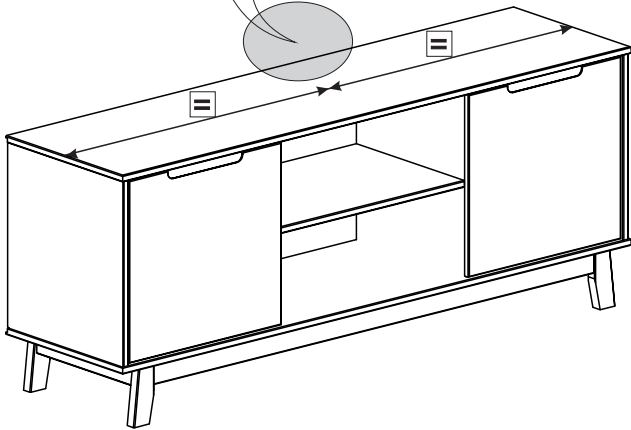
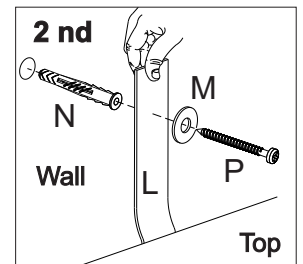
! 1st

Attach part (L) with screw (O) and washer (M), in the frame of top unit panel using Phillips head screwdriver.

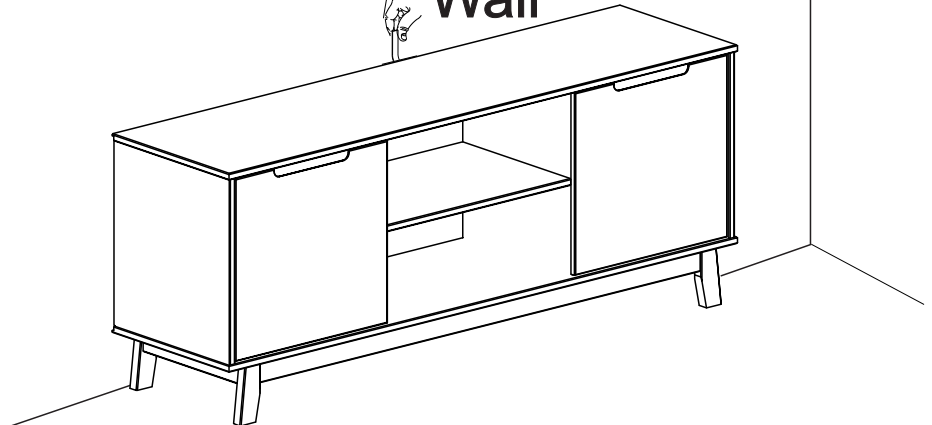


! 2nd

With power drill make one hole in the wall, insert part (N) in the hole. Secure part (L) with screw (P) and washer (M) in the wall using a Phillips head screwdriver.



Wall



L		01
M		02
N		01
O		01
P		01

Name and address information for the manufacturer responsible for the anti-tip hardware and date of production can be found on the label on the back of the furniture.

Additional Safety Instructions

WARNING: In order to prevent overturning the wall attachment must be used with this product.

In the interest of safety, particularly where small children are concerned, we advise securing your furniture to the wall to prevent the product tipping forward when loaded.

This product is heavy and could cause serious or fatal injury if not used or moved correctly.

GENERAL CARE & MAINTENANCE

We advise that when cleaning the product that a damp cloth is used.

Avoid the use of all household cleaners and abrasive.

Never push or drag the furniture.

Never attempt to move the furniture when fully loaded.

We advise that periodically all fixing are re-tightened.