



10 : 00

estimated
assembly time



2 or more

people required

Ok, let's
get started!



- Put on mood music!
- To prevent damage to product, use the clean side of package carton or rug as working surface.
- In the event of missing or damaged parts, delivery problems etc., please reach out to our team. We will be happy to fix the problem!

care guide

- Clean regularly with a soft and dry cloth.
- To protect finish, avoid use of abrasive cleaners.
- Wipe up spills immediately. Please!

ⓘ **While assembling the product, tighten the bolts up to 50%. Once all parts are in place, only then fully tighten the bolts.**



product
parts



A
Night Stand
x1



assembly instructions

Friendly Tip: Take a deep breath going in. This may be a tricky part, but nothing too overwhelming. Just follow these steps to the T and the outcome will be worth it!

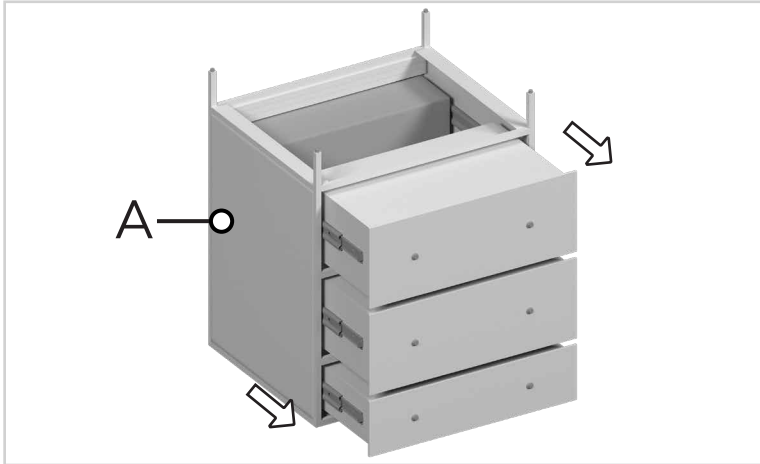


- ⓘ While assembling the product, tighten the bolts up to 50%. Once all parts are in place, only then fully tighten the bolts.

⚠ Note: To ensure proper working of the drawer, pull both knobs together with equal force. Opening the drawer with the help of only one knob may hamper functioning over time.

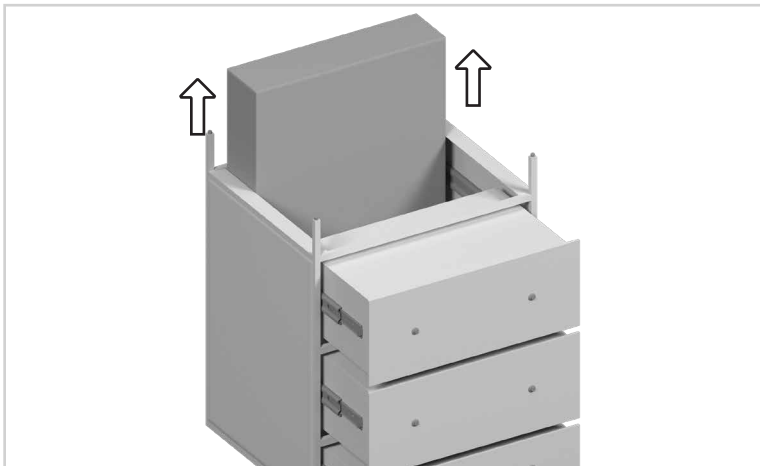
step 1:

Start by placing night stand (A) upside-down on a rug/carton. Push out the drawers taking this image as reference.



step 2:

Take out the cardboard box and discard it; it is only for ease of transportation.

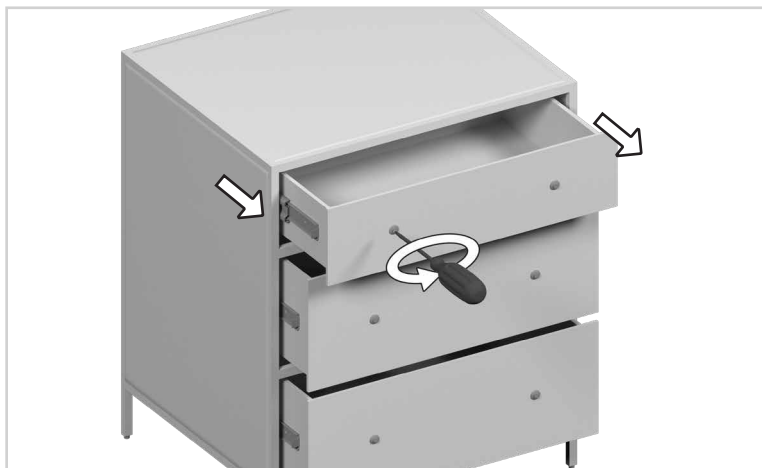


⚠ While assembling the product, tighten the bolts up to 50%. Once all parts are in place, only then fully tighten the bolts.

⚠ Note: To ensure proper working of the drawer, pull both knobs together with equal force. Opening the drawer with the help of only one knob may hamper functioning over time.

step 3:

Using a screwdriver, detach the knobs fitted inside the drawers.



step 4:

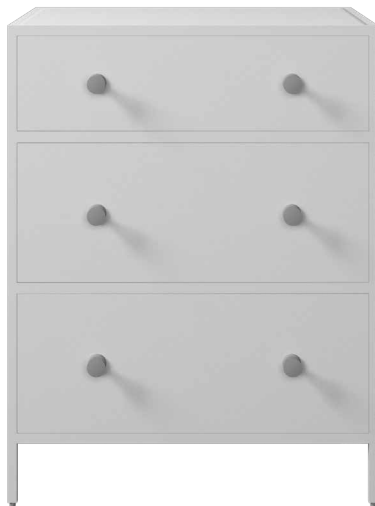
Place the knobs outside the drawers and re-attach using the screws that you just removed and tighten using the screwdriver.



⚠ While assembling the product, tighten the bolts up to 50%. Once all parts are in place, only then fully tighten the bolts.

step 5:

Place a spirit level on top of the surface to check alignment. Adjust the levellers if needed.



Voila! Your night stand is now assembled and secure!

you've
got
a home
with us

