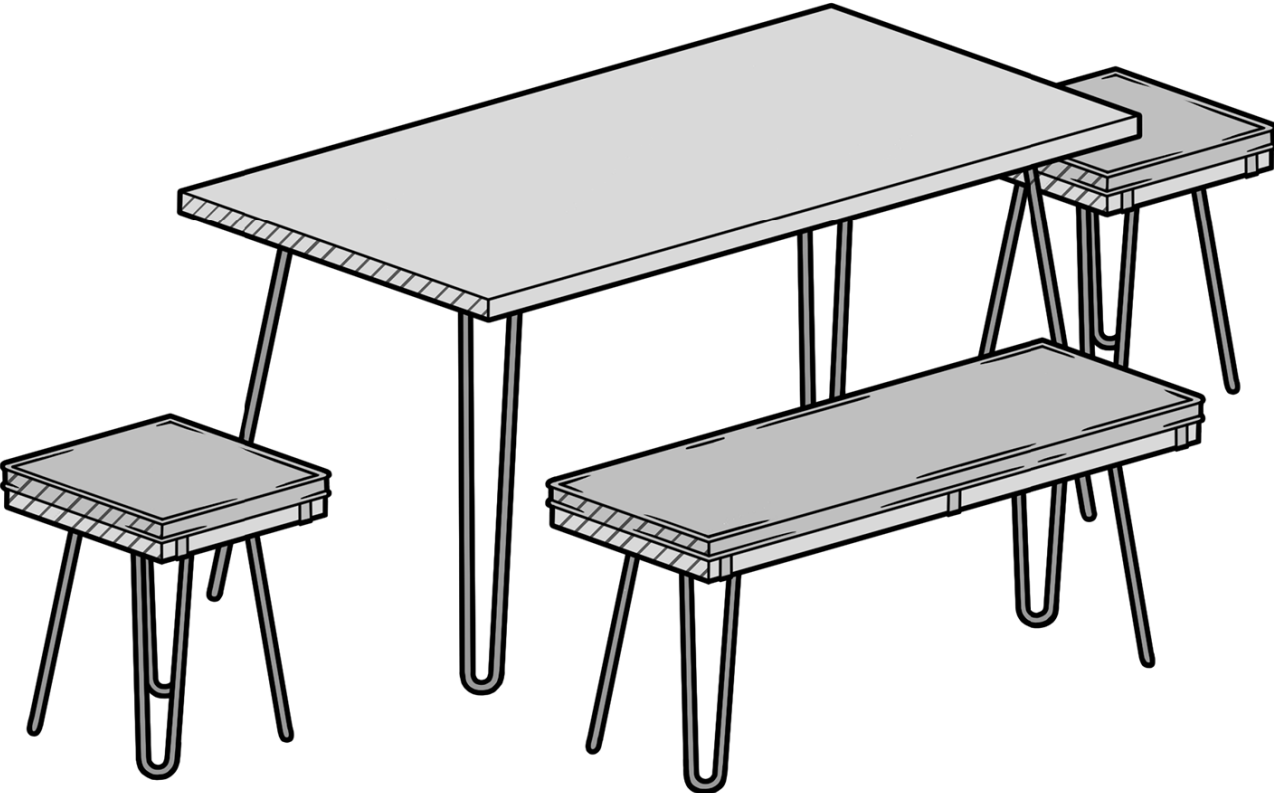
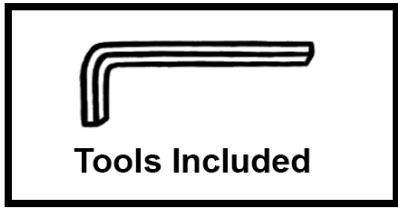
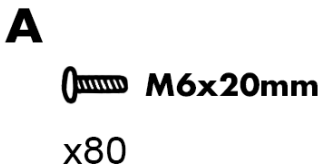
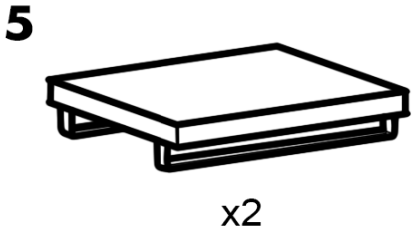
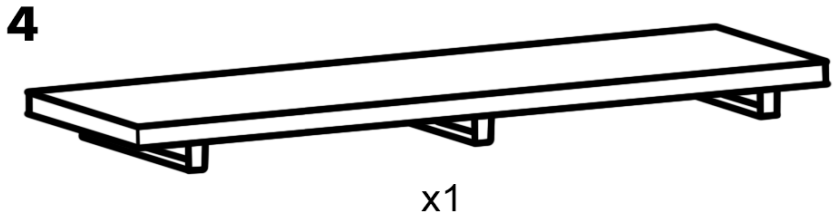
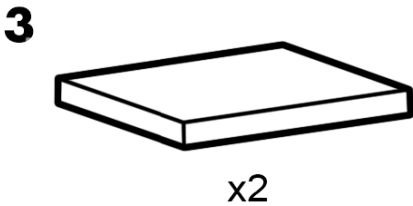
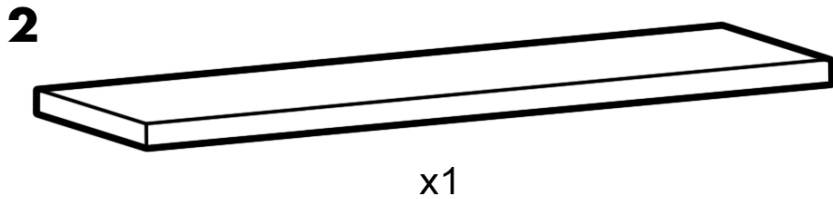
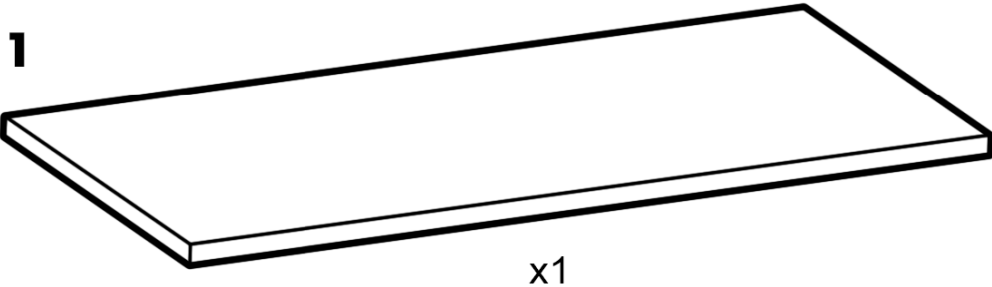


INSTRUCTION MANUAL

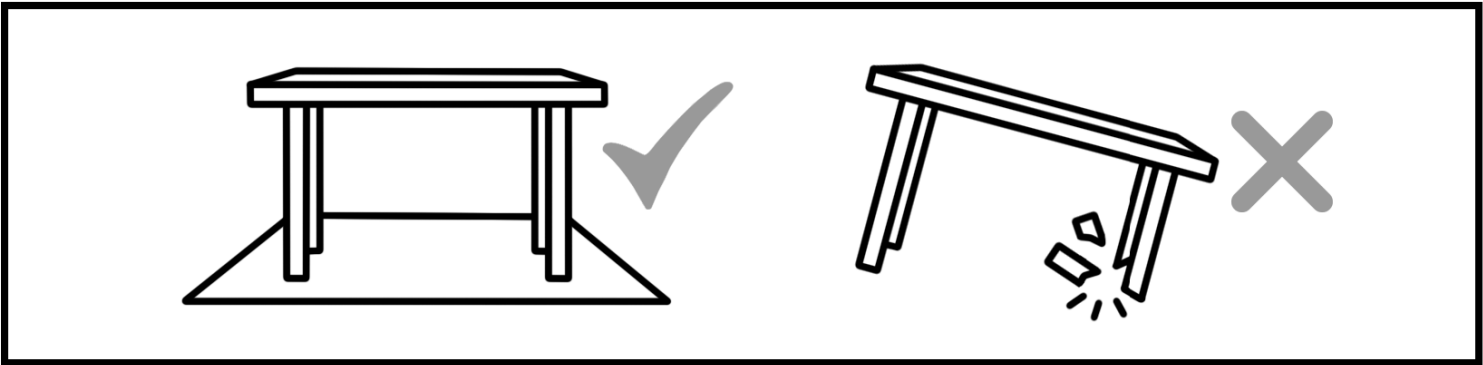


Instructions side 1

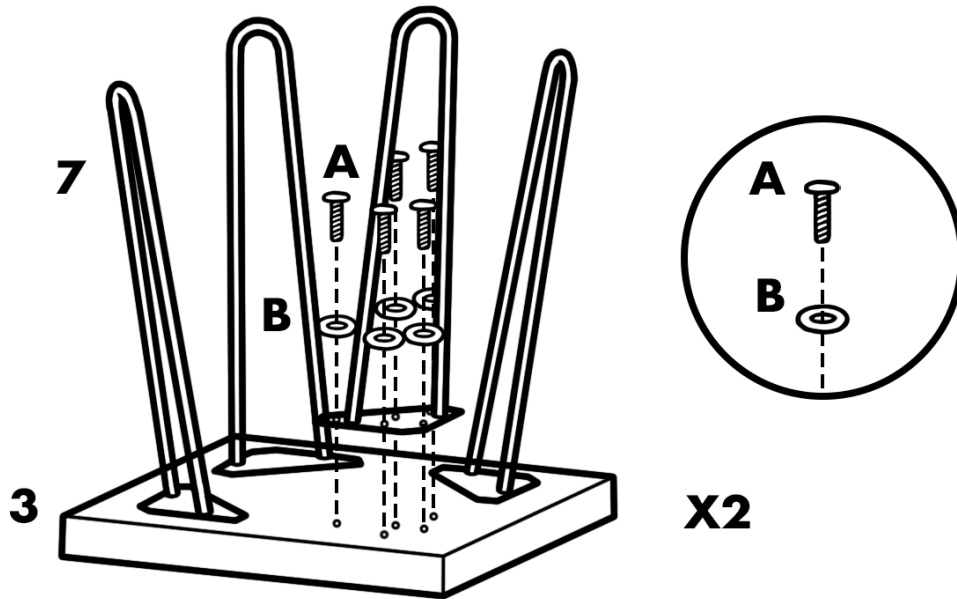
2 people recommended for assembly



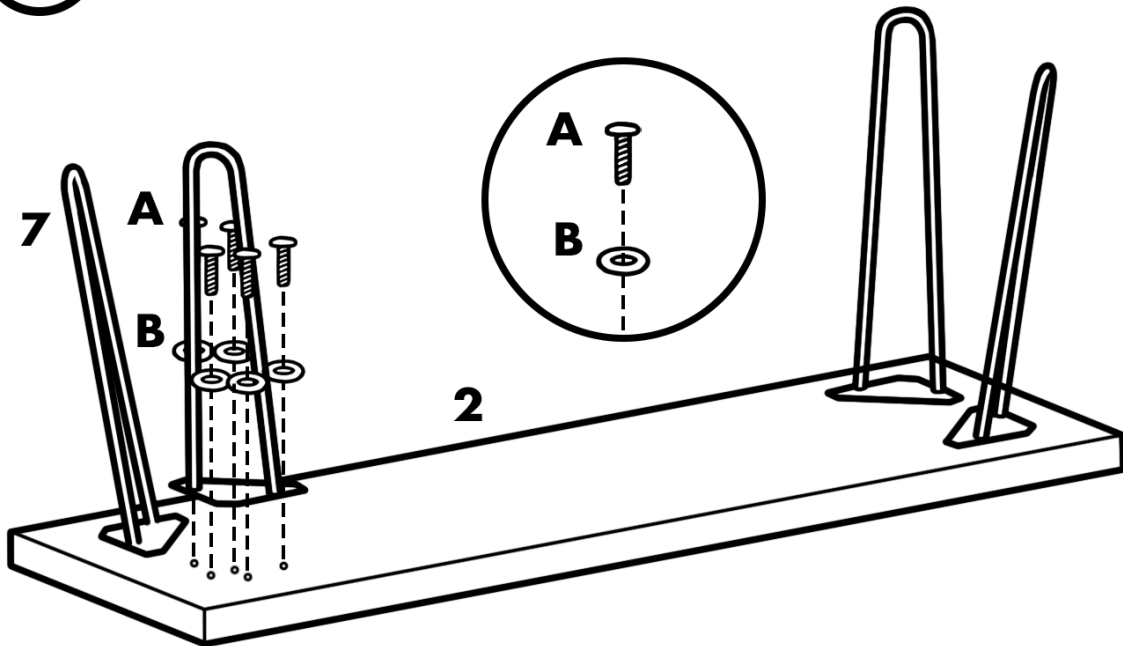
Advice: A mat should be put down to avoid damage to the product or people around



1 Screw small legs (G) to bottom of stool seats (E)



2 Screw small legs (G) to bottom of bench seat (D)



Parts needed in step 1:

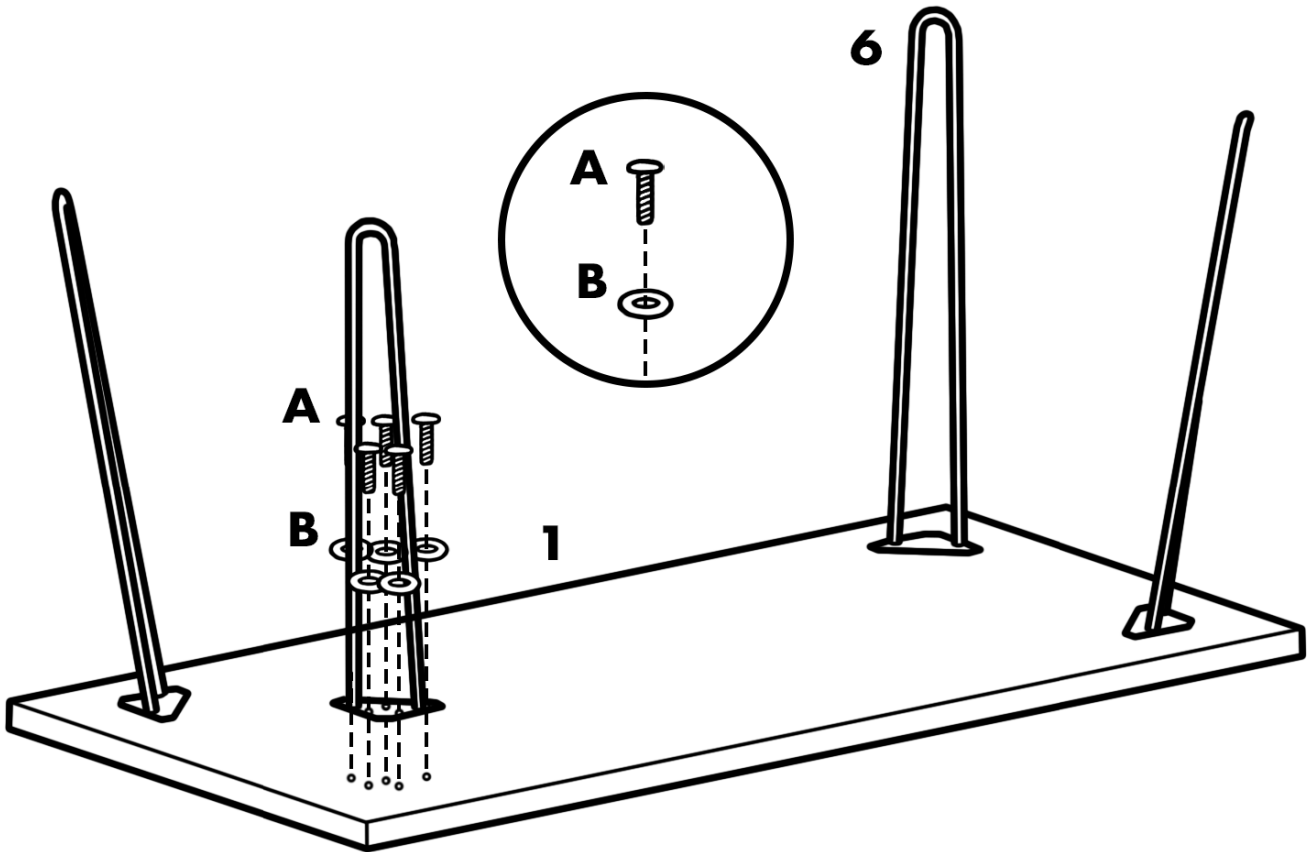
Stool seats (3)	x2
Small legs (7)	x8
Screws (A)	x40
Washers (B)	x40

Parts needed in step 2:

Bench seat (2)	x1
Small legs (7)	x4
Screws (A)	x20
Washers (B)	x20

Instructions side 2

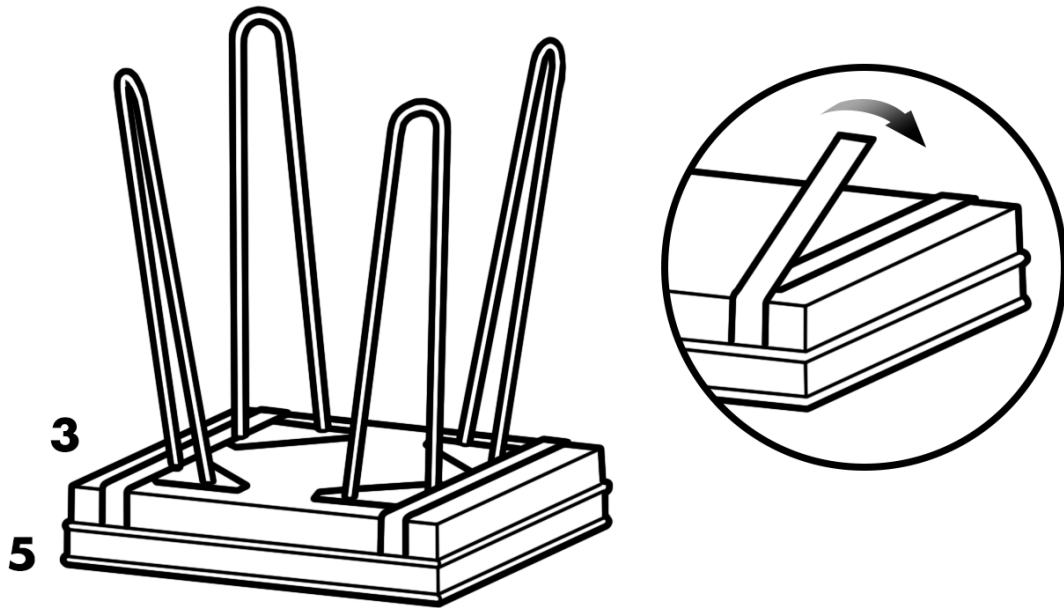
3 Screw long legs (6) to bottom of tabletop (1)



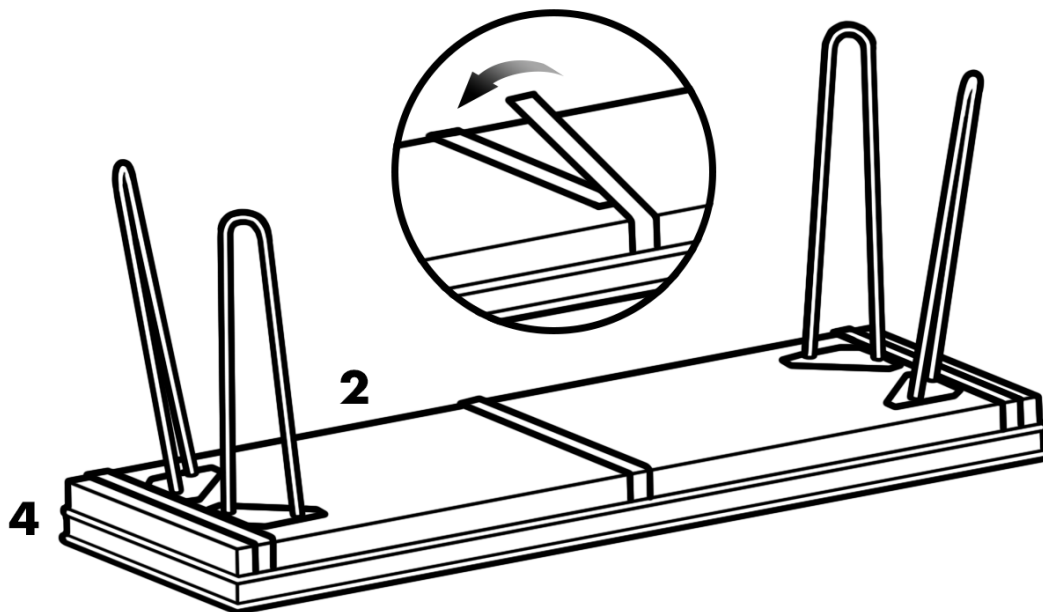
Parts needed for step 3:

Tabletop (1)	x1	Washers (B)	x20
Long legs (6)	x20		
Screws (A)	x20		

4 Secure stool cushions (5) to stool seats (3) with straps



5 Secure bench cushion (4) to bench seat (2) with straps



Parts needed for step 4:

Completed step 1 x2

Stool cushions (5) x2

Parts needed for step 5:

Completed step 2 x1

Bench cushion (4) x1