

BED ASSEMBLY INSTRUCTIONS

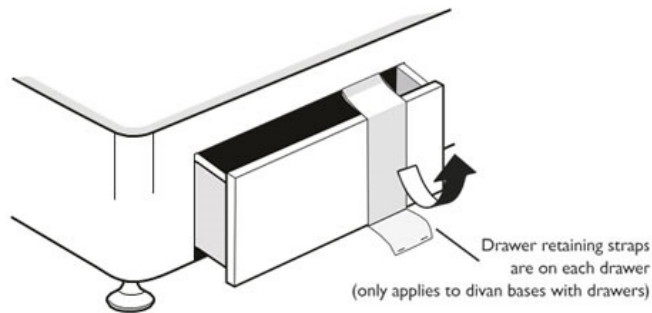
Step 1: Removing Drawer Straps

Before diving into assembling, ensure you're in a clean and safe environment to prevent any accidental marks or damage to your items. If your comes with drawers, follow these steps. If not, skip to Step 2.

Drawer retaining straps are in place to secure your drawers during transit. They're typically stapled on the inside. You can either carefully release them from their fastening point or cut them away, as shown in the image below.

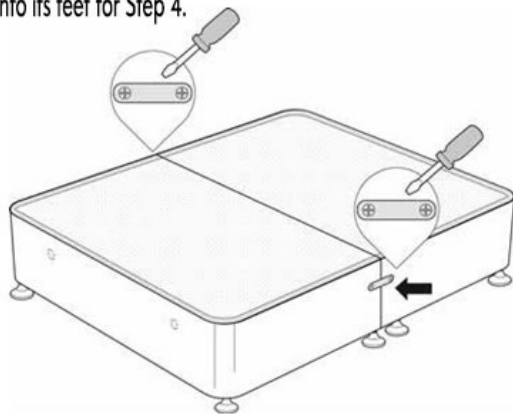
Remember, each drawer has a maximum weight capacity of 15kg, so avoid overloading them.

Remove any fittings stored inside the drawers before proceeding to Step 2.



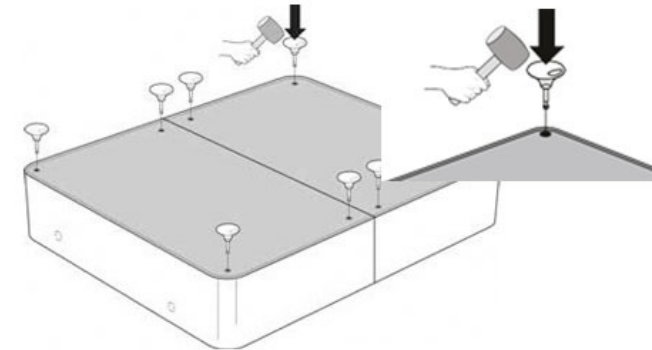
Step 3: Attaching Clips

For measuring 2FT6 or 3FT, proceed to Step 4. For larger sizes (4FT, 4FT6, 5FT, or 6FT), follow these instructions. Locate the link bar holes where the two straight sides of the bases meet, usually near the top (you might need to feel for them under the fabric). Place the link bar along these holes and screw in the nuts. Start with the right-hand side of the link bar, then complete screwing the nuts into both sides. Once attached, lift both halves of the together with assistance and turn it over onto its feet for Step 4.



Step 2: Assembling Castors/Feet

Turn the base over to access the underside. Gently push the castors or feet into the pre-drilled holes, tapping them into place if needed. If there's fabric covering the holes, use a screwdriver or the socket on the feet to puncture through. Avoid using excessive force. Once all feet are securely fitted to the corners of both bases, move on to Step 3.



Step 4: Attaching the Headboard

Firstly, determine which end of the bed will have the headboard. Place the headboard bolt into the hole and fasten it securely. Then, screw in the two headboard struts to the provided screws. If the stickers indicating the holes have come off during transit, feel the fabric to locate them. Lower the headboard into position and partially tighten the bolt. Ensure your headboard sits above the mattress before proceeding to place it

