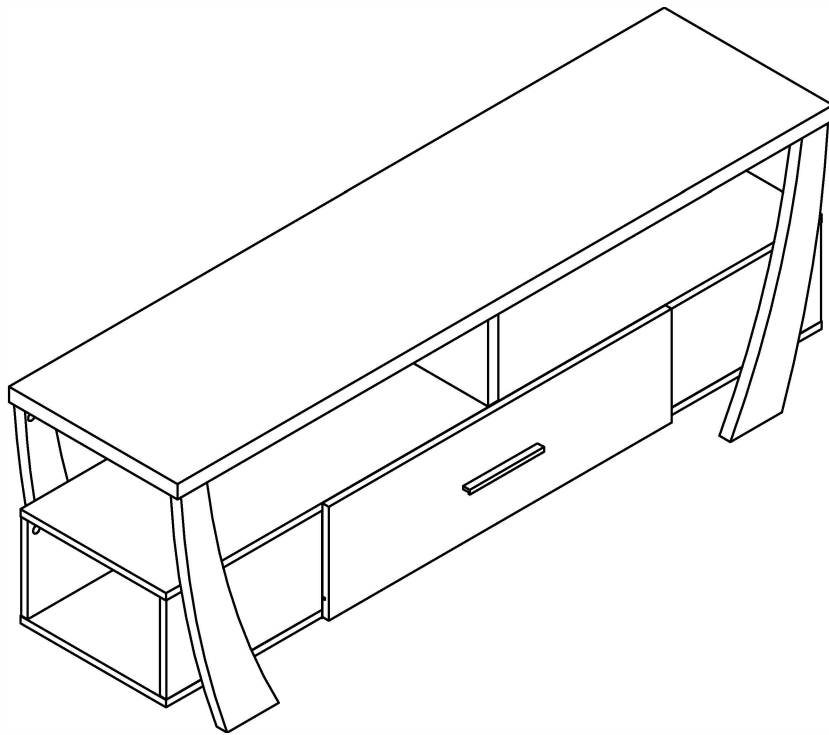


ASSEMBLY INSTRUCTIONS



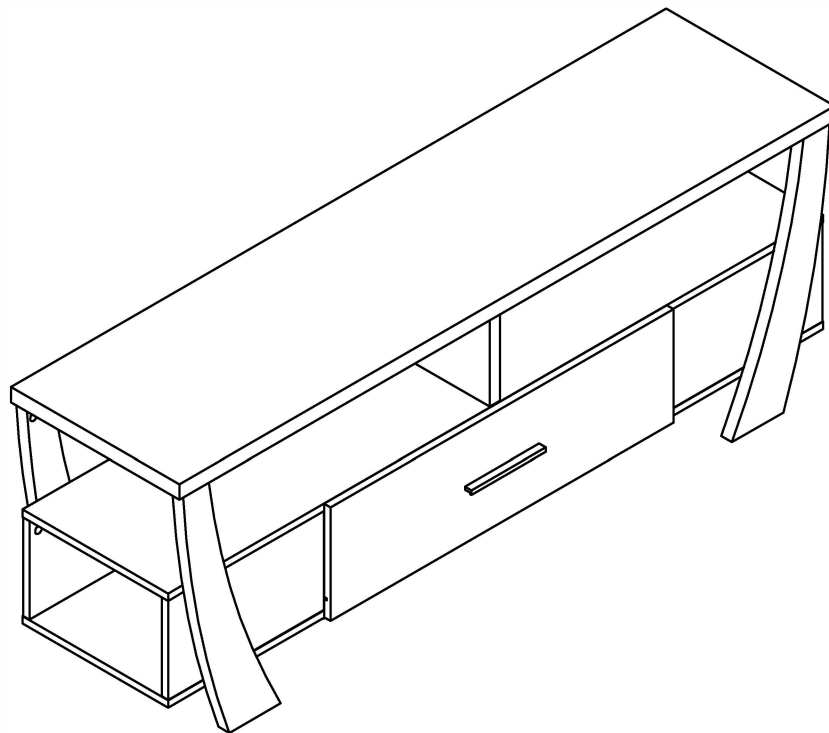
ASSEMBLY INSTRUCTIONS

PLEASE READ BEFORE ASSEMBLING!

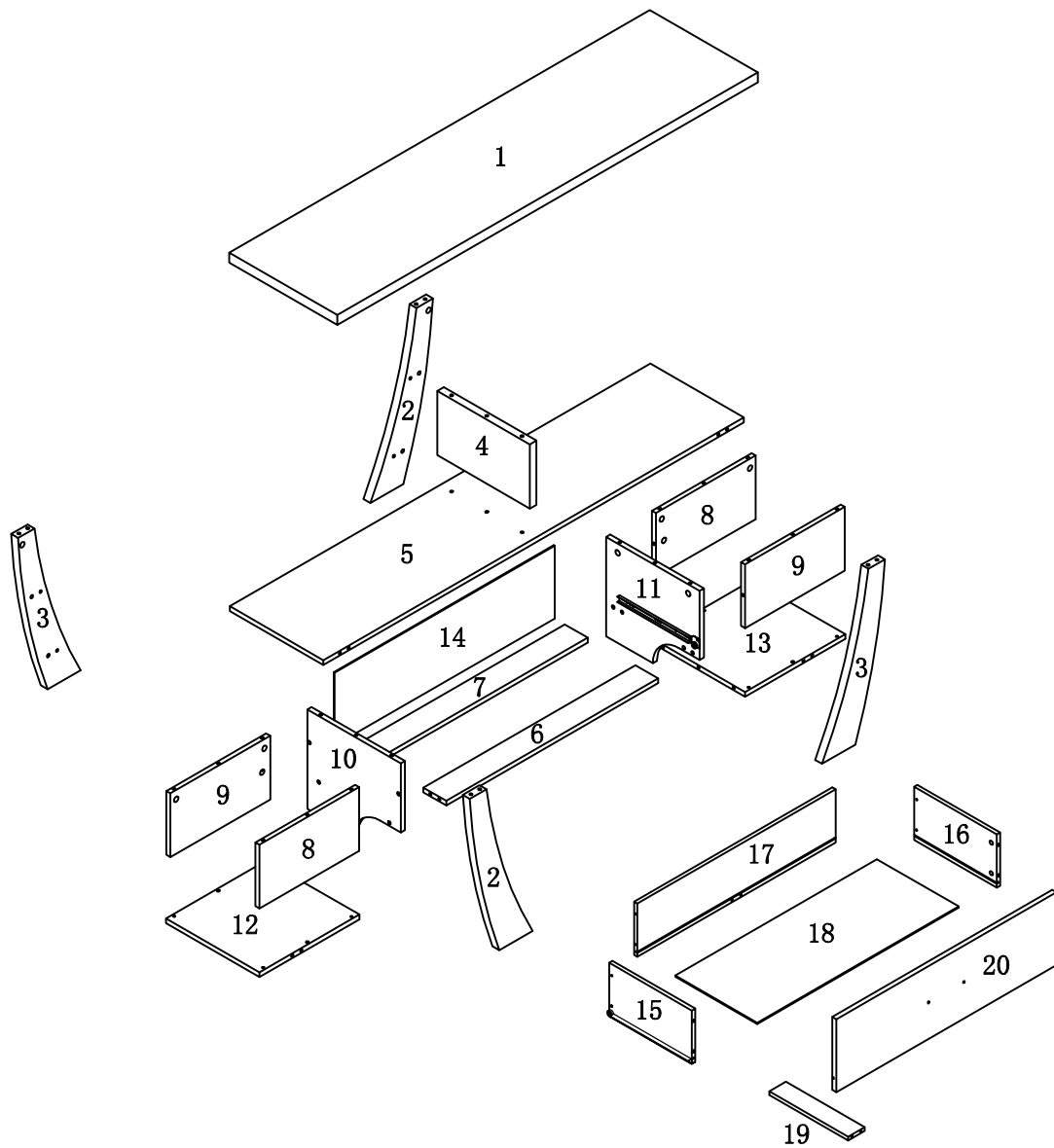
Tip #1: Make sure you've taken all the pieces and hardware out of its packaging before discarding the box. Assembly on top of flattened box/blanket is recommended.

Tip #2: Using page 2 and/or page 3 of instruction manual make sure all pieces and hardware are accounted for.

Tip #3: Note position of all holes on each panel during assembly.



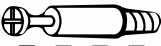


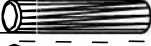
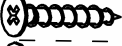
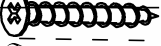
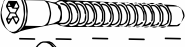

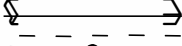



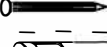



PARTS IDENTIFICATION



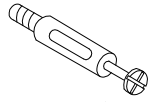

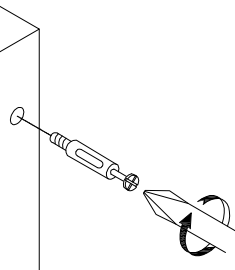
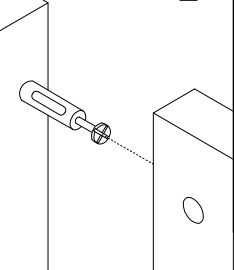
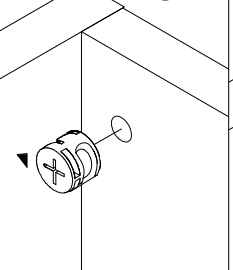
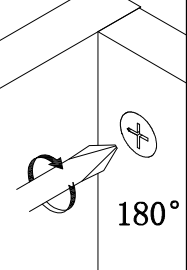
(1)	1pc	(6)	1pc	(11)	1pc	(16)	1pc
(2)	2pcs	(7)	1pc	(12)	1pc	(17)	1pc
(3)	2pcs	(8)	2pcs	(13)	1pc	(18)	1pc
(4)	1pc	(9)	2pcs	(14)	1pc	(19)	1pc
(5)	1pc	(10)	1pc	(15)	1pc	(20)	1pc

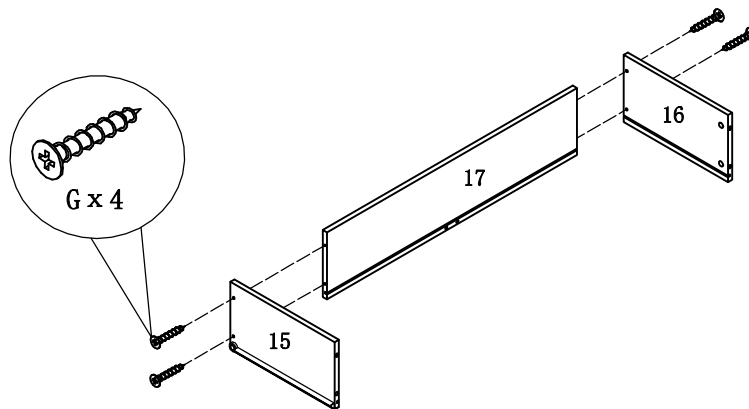
HARDWARE IDENTIFICATION

A		L29	42pcs
B		∅15	42pcs
C		L20	4pcs
D		∅12	4pcs
E		∅8x25	26pcs
F		∅6x30	2pcs
G		∅4x30	6pcs
H		∅4x35	8pcs
I		∅7x38	2pcs
J		∅16x∅8x2	2pcs
K			1pc
L		M4x22	2pcs
M		∅22	24pcs
N		∅16	6pcs
O			22pcs
P			1pc

Glue: For securing please apply to wood dowel first before inserting into panel

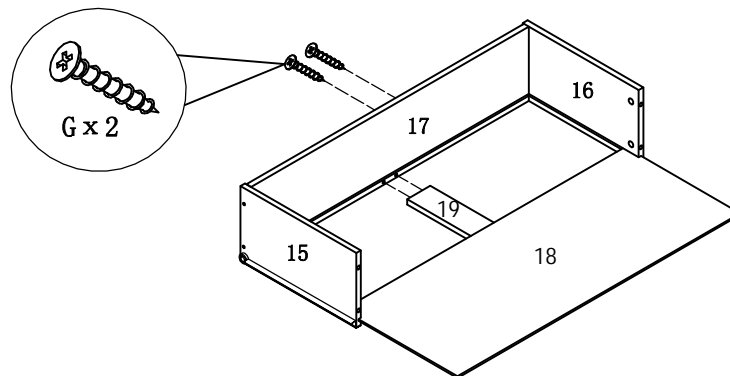
ASSEMBLY INSTRUCTIONS

HOW TO	1	2	3	4
 <p>Cam Bolt</p>  <p>Cam Lock</p>				 <p>180°</p>
	<p>1. Screw Cam Bolt into panel.</p>	<p>2. Insert Cam Bolt into bolt hole of joining panel.</p>	<p>3. Insert Cam Lock. arrow facing bolt.</p>	<p>4. Gently turn Cam Lock clockwise to lock position.</p>

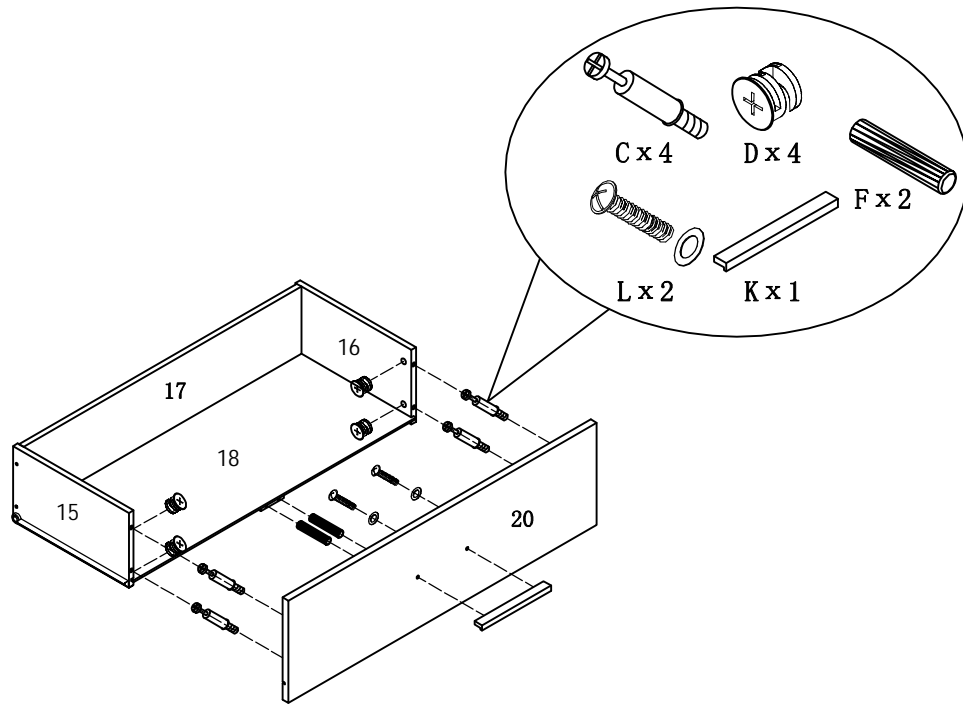


STEP1

STEP2

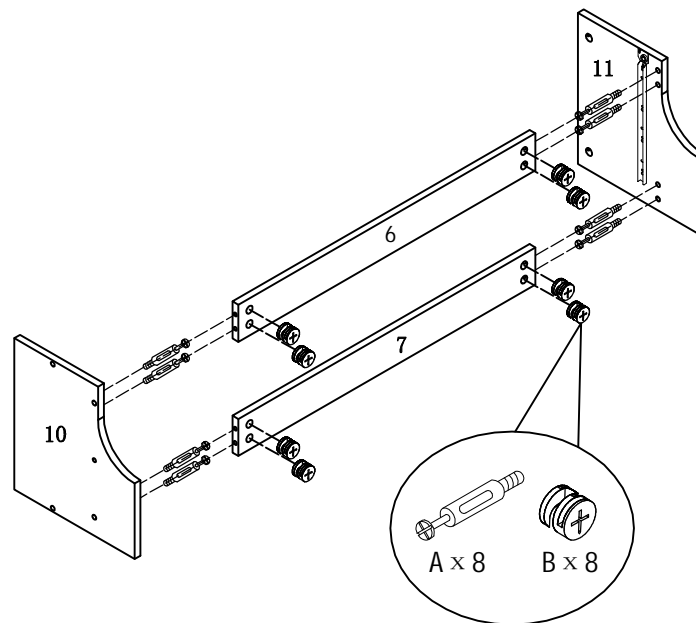


ASSEMBLY INSTRUCTIONS

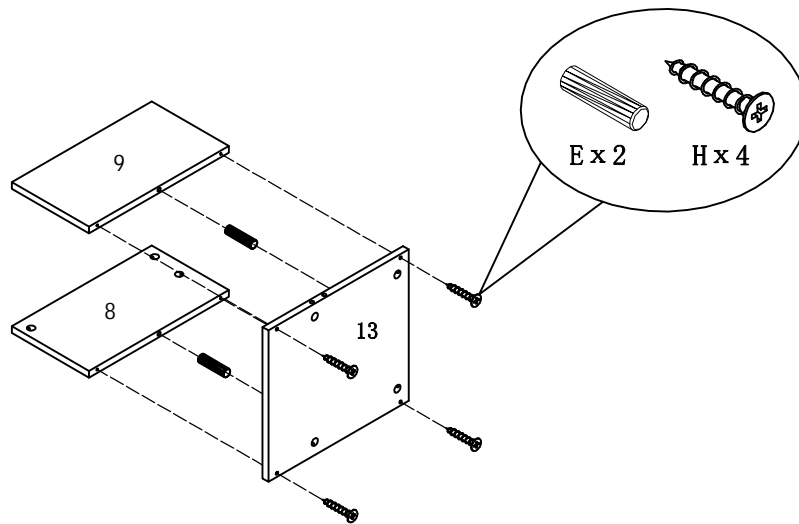


STEP3

STEP4

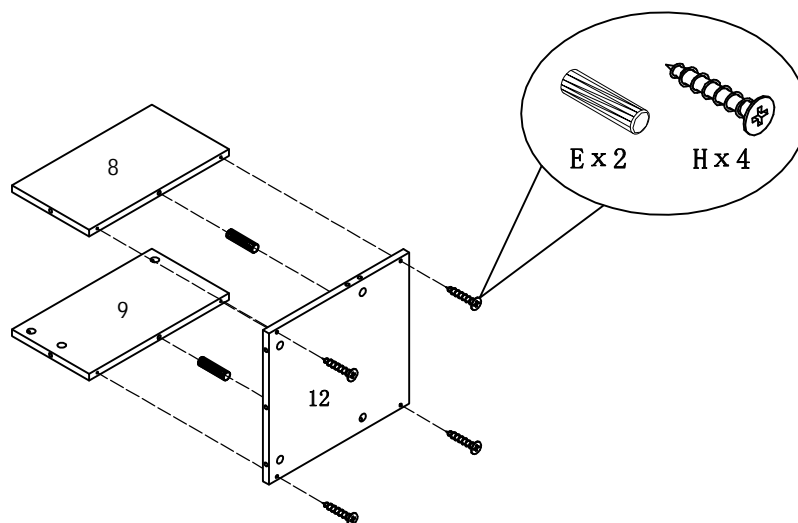


ASSEMBLY INSTRUCTIONS

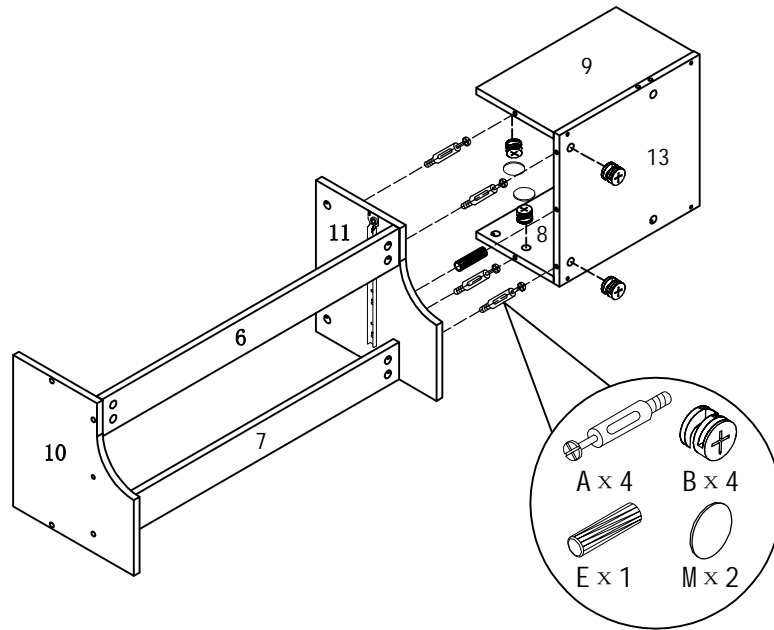


STEP5

STEP6

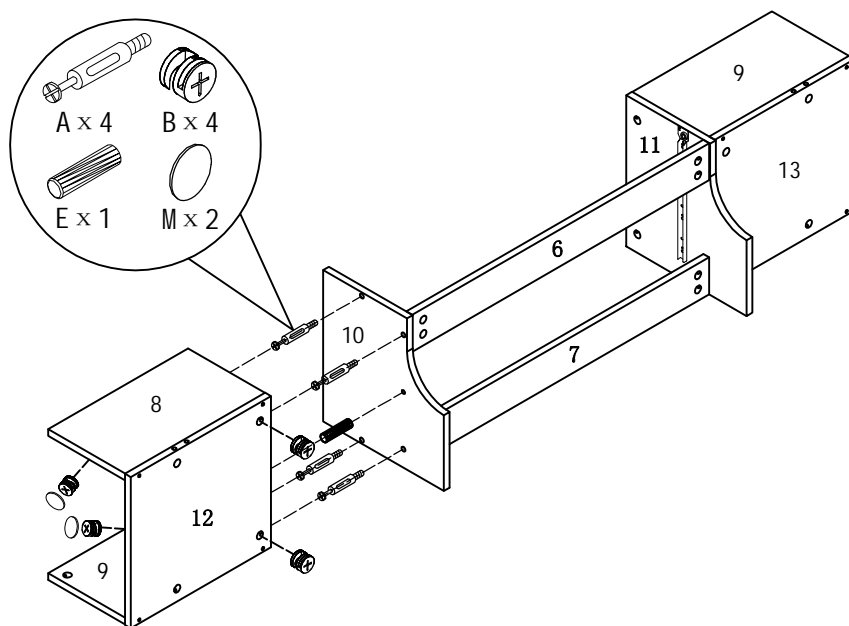


ASSEMBLY INSTRUCTIONS

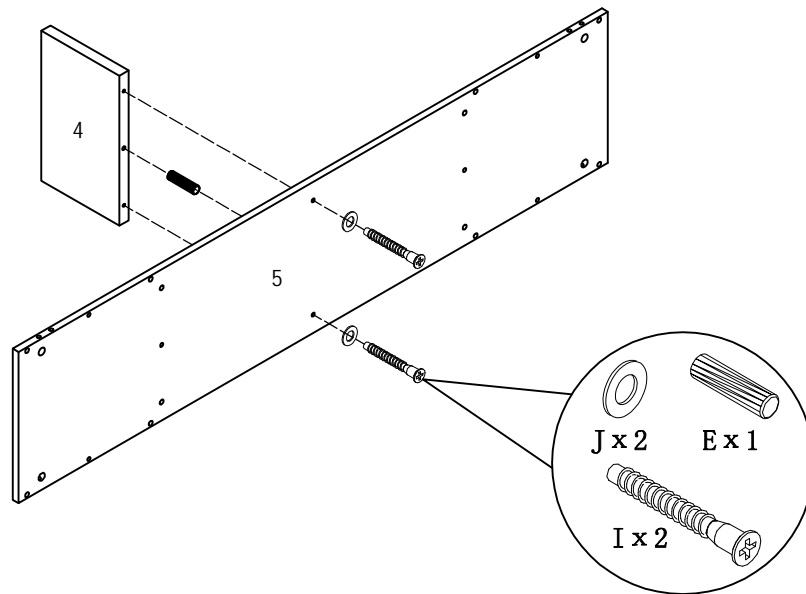


STEP 7

STEP 8

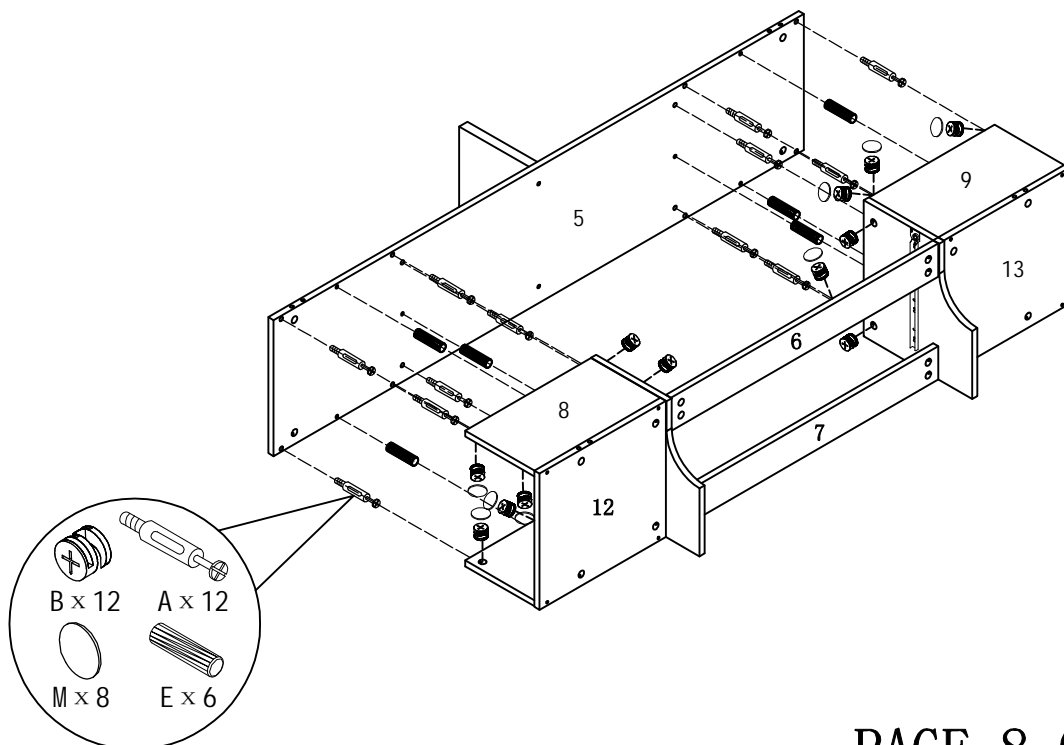


ASSEMBLY INSTRUCTIONS

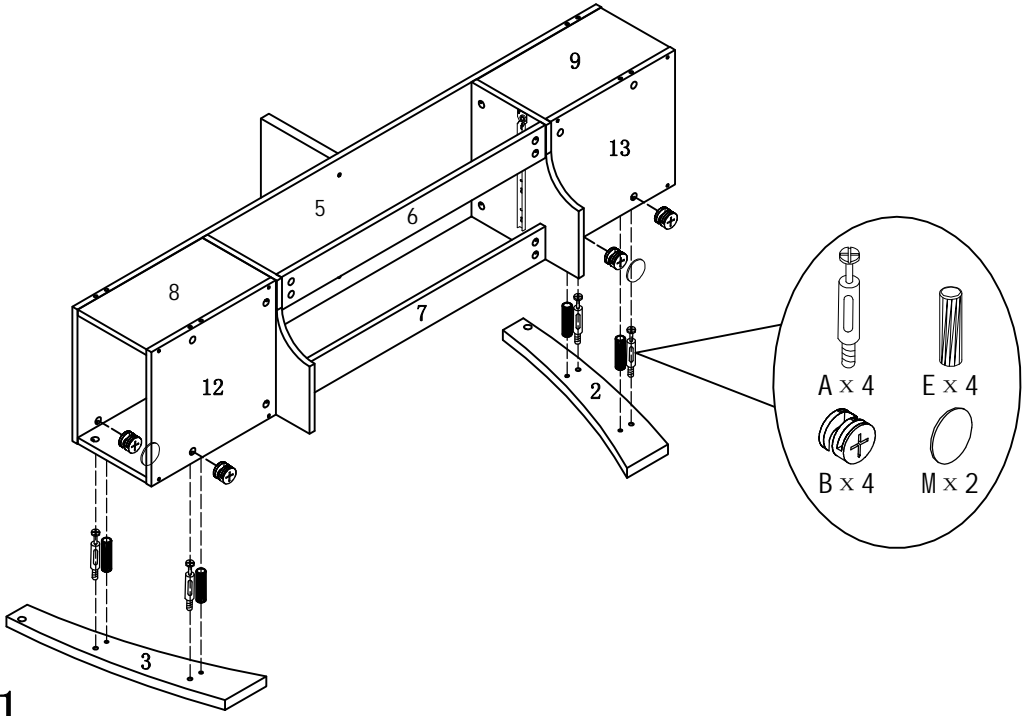


STEP 9

STEP 10

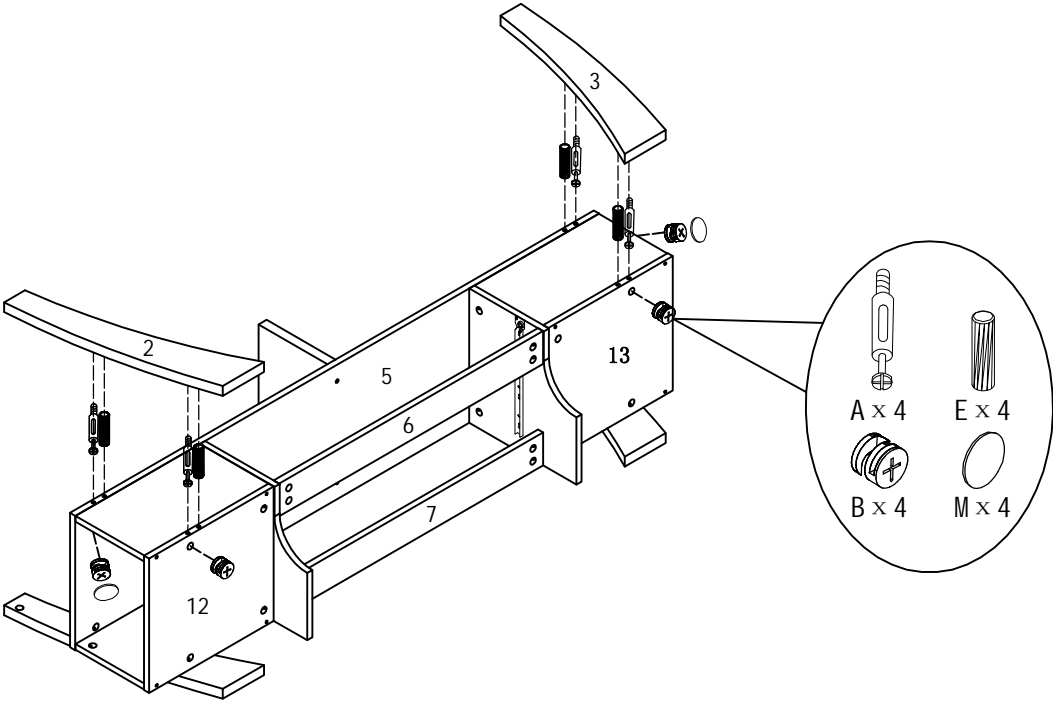


ASSEMBLY INSTRUCTIONS

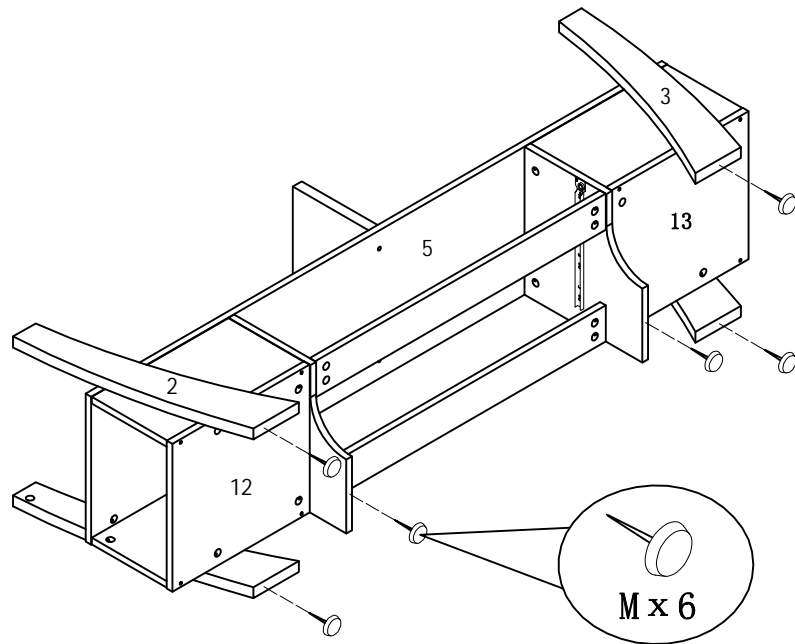


STEP 11

STEP 12

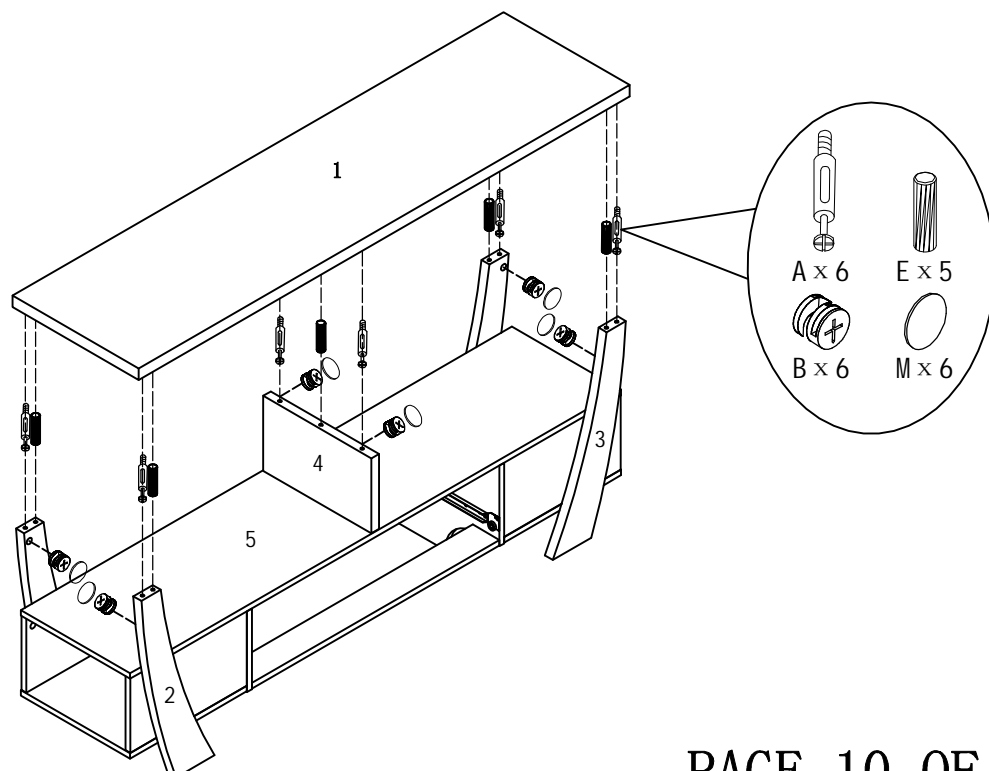


ASSEMBLY INSTRUCTIONS

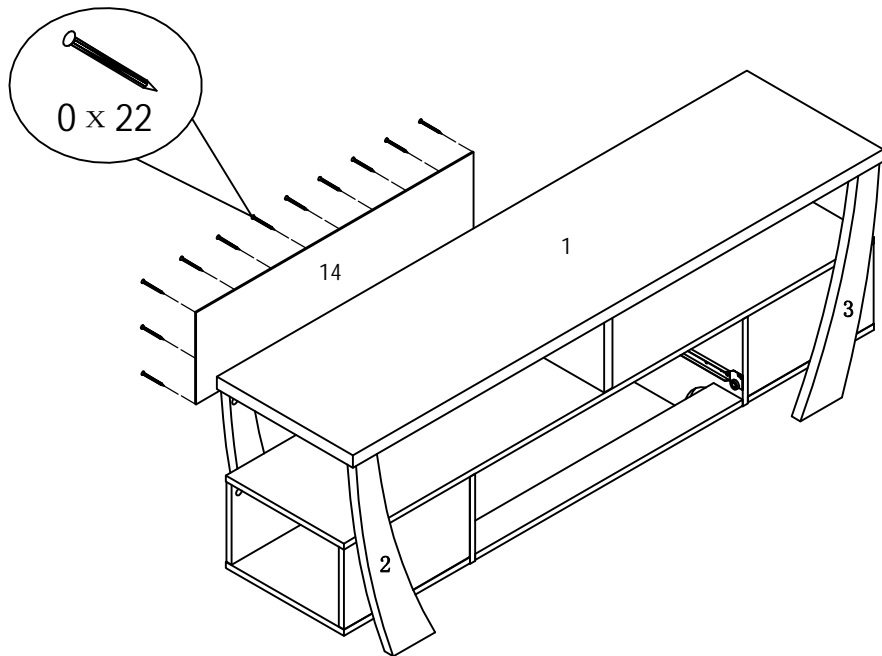


STEP13

STEP14



ASSEMBLY INSTRUCTIONS



STEP15

STEP16

