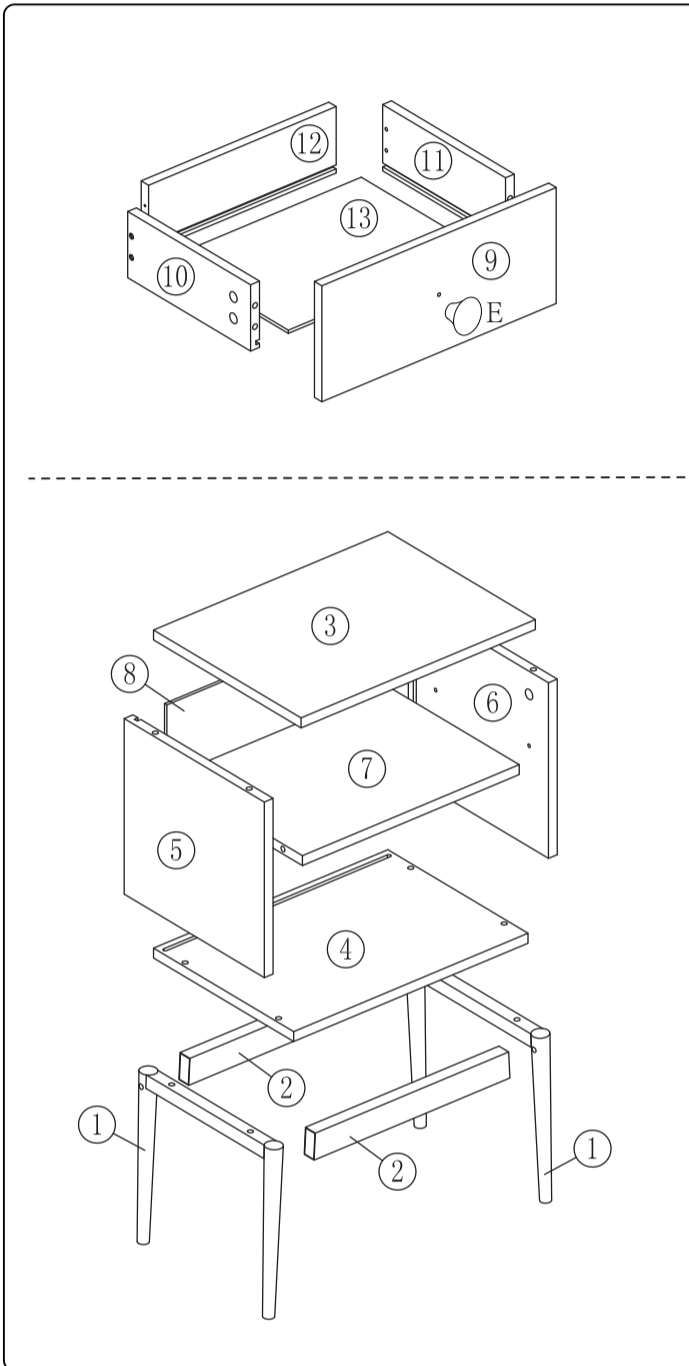
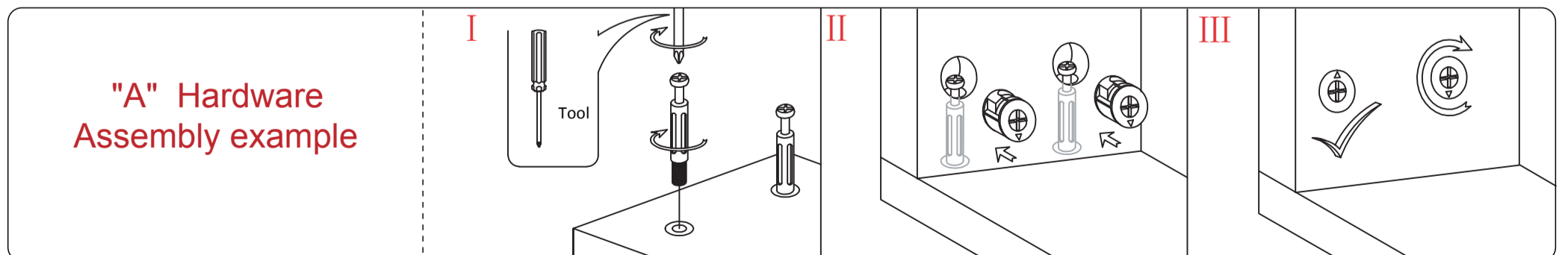


Assembly Instructions

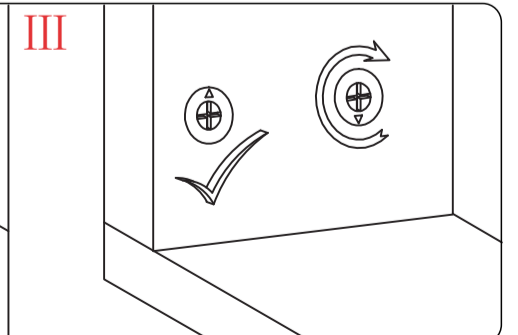
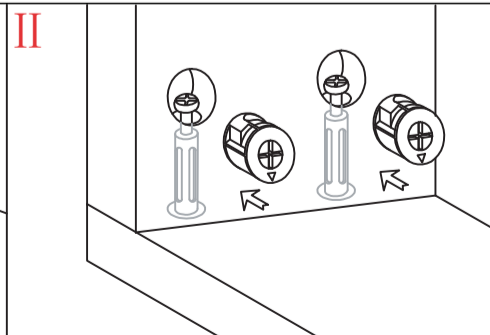
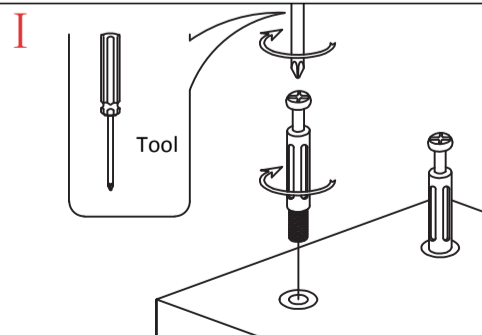
Tips! Check all the components & screws before assembly.



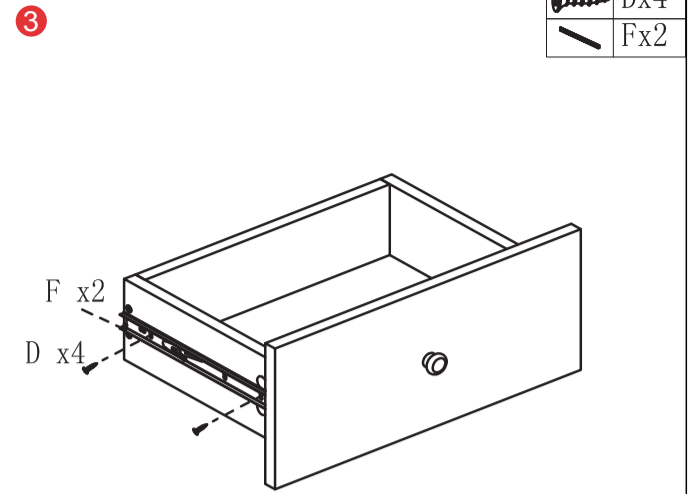
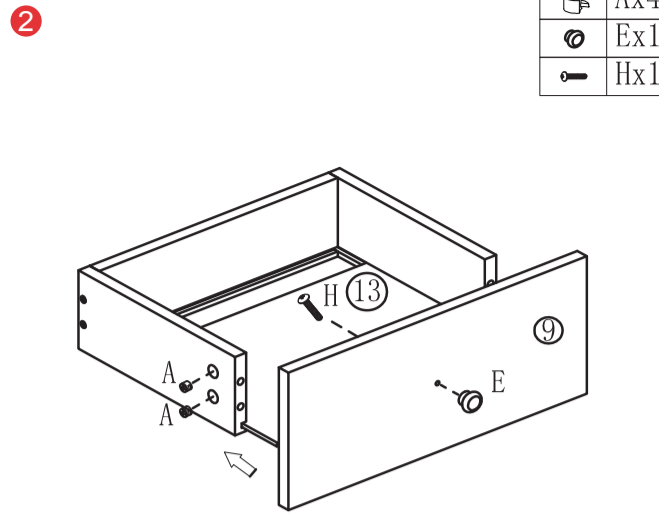
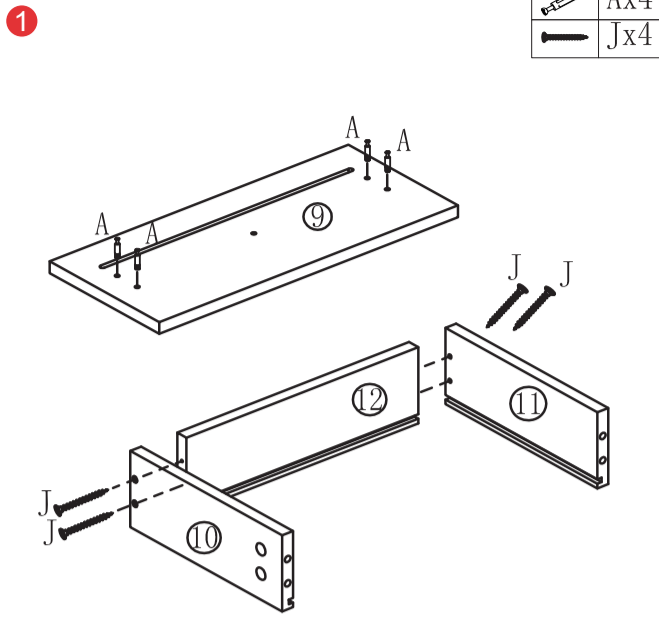
Components					
1		2	8		377.5x273mm 1
2		2	9		400x180mm 1
3		400x300mm 1	10		240x117mm 1
4		400x285mm 1	11		240x117mm 1
5		285x265mm 1	12		323x117mm 1
6		285x265mm 1	13		323x234mm 1
7		369x269mm 1			
Screws&Tools					
A		12	F		2
B		∅7x50mm 4	G		2
C		M6x30mm 8	H		M4x20mm 1
D		8	I		1
E		1	J		4



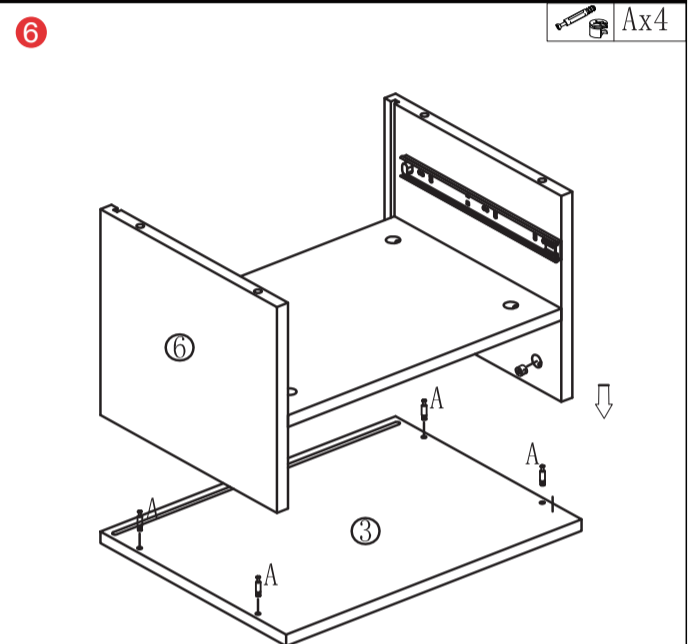
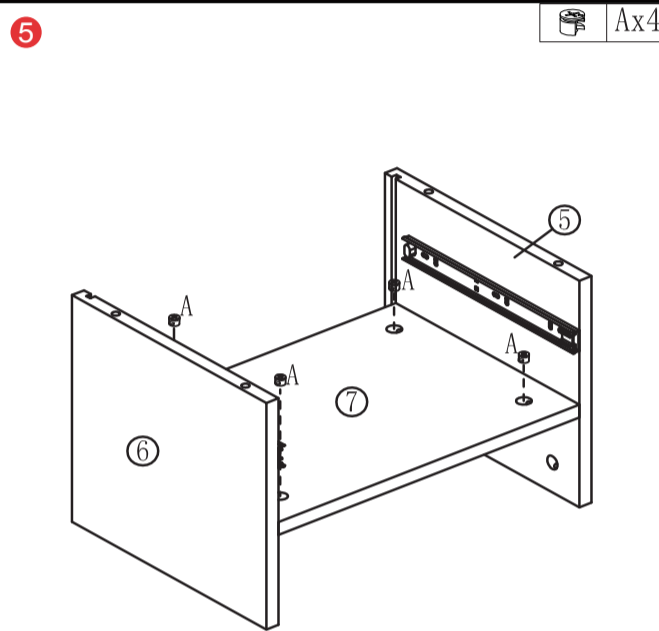
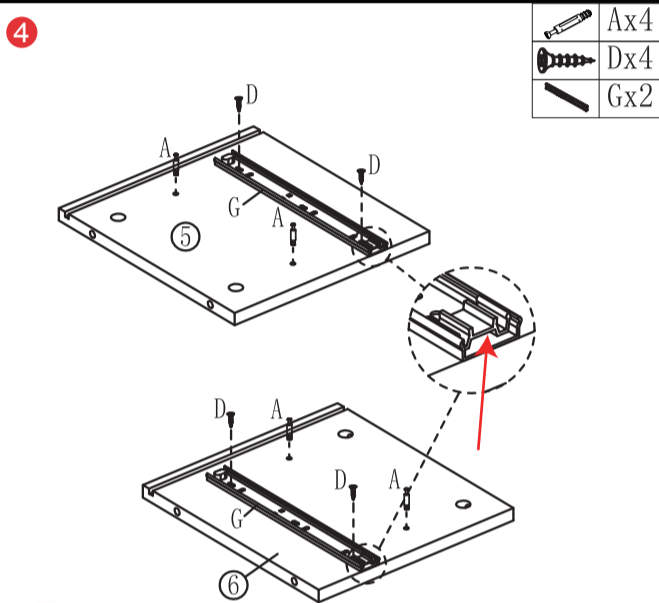
"A" Hardware Assembly example



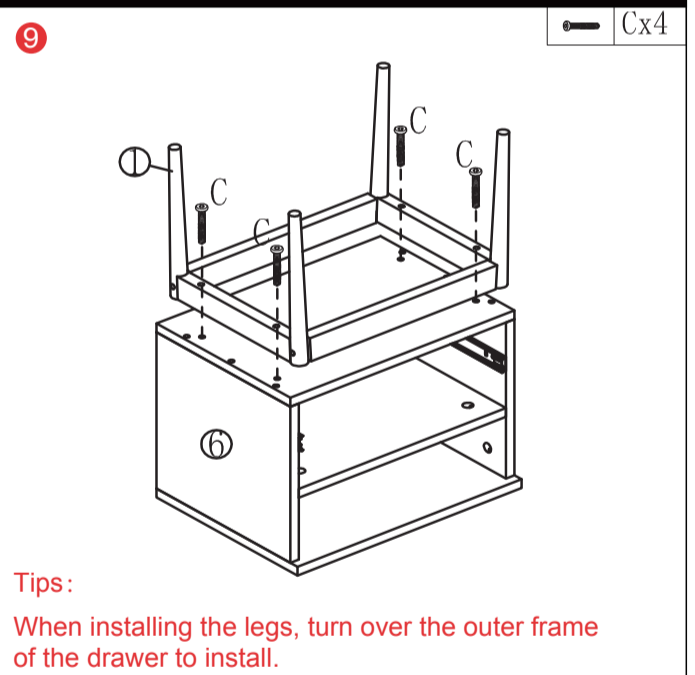
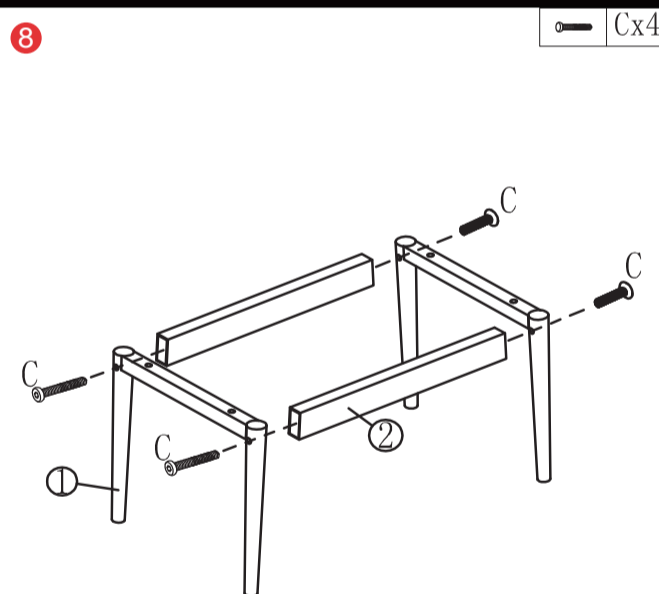
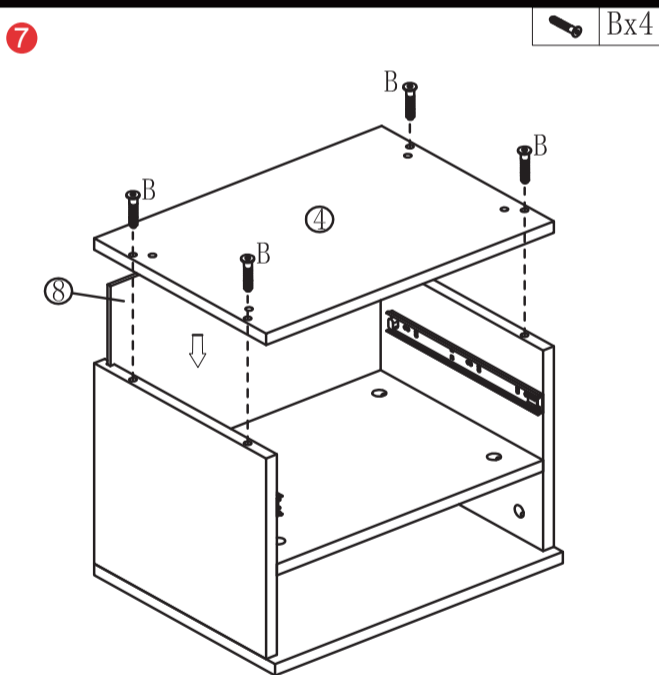
Step1:Drawer assembly



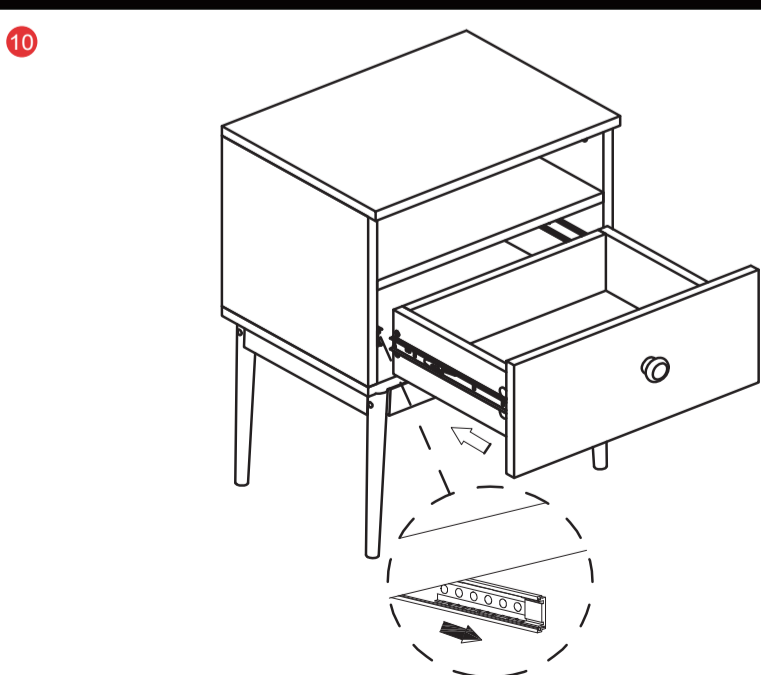
Step2:The outer frame of the drawer assembly



Step3:Connect legs to outer frame of the drawer



Step4:Drawer assembly



Step5:Check and tighten all screws

