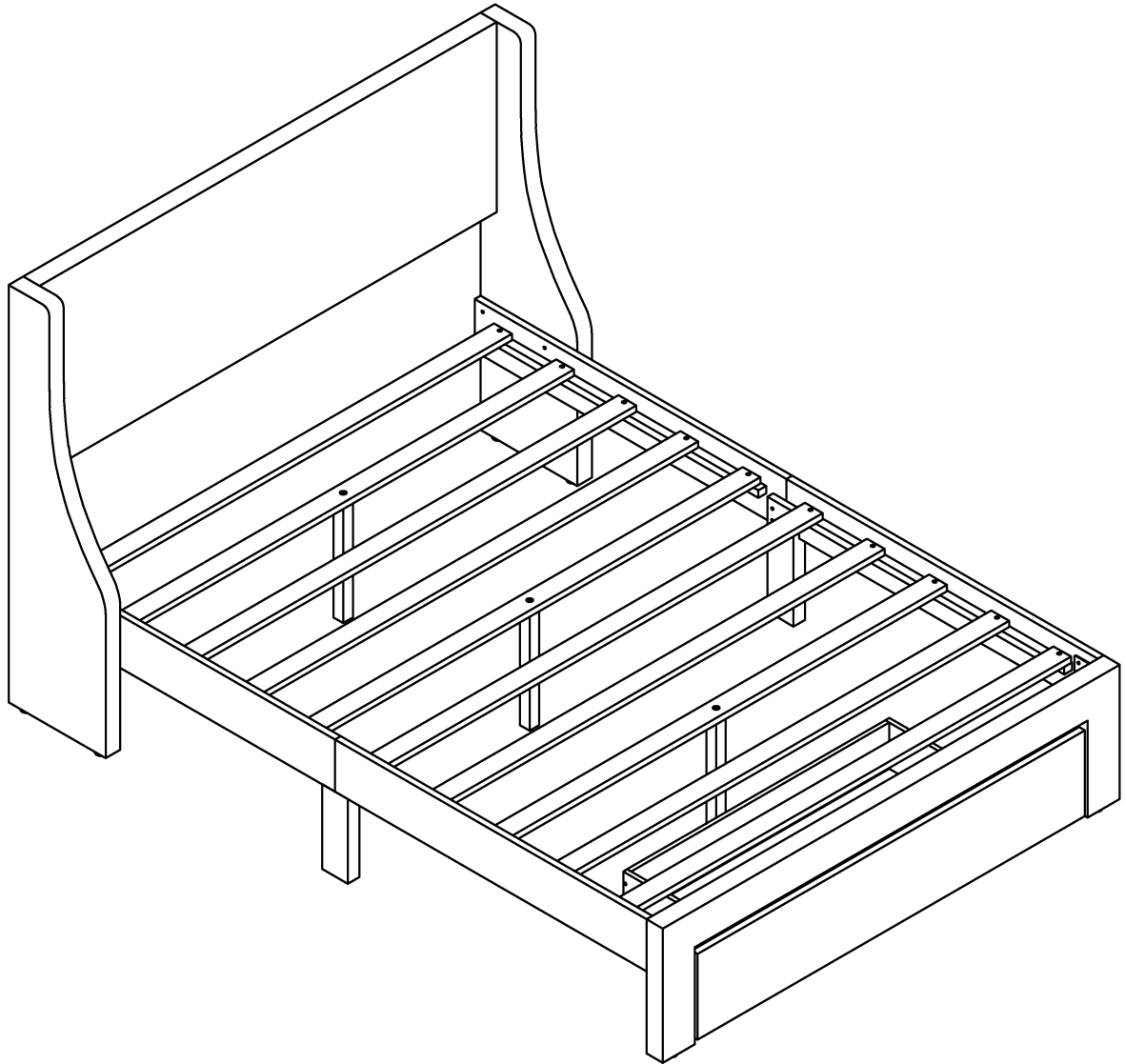


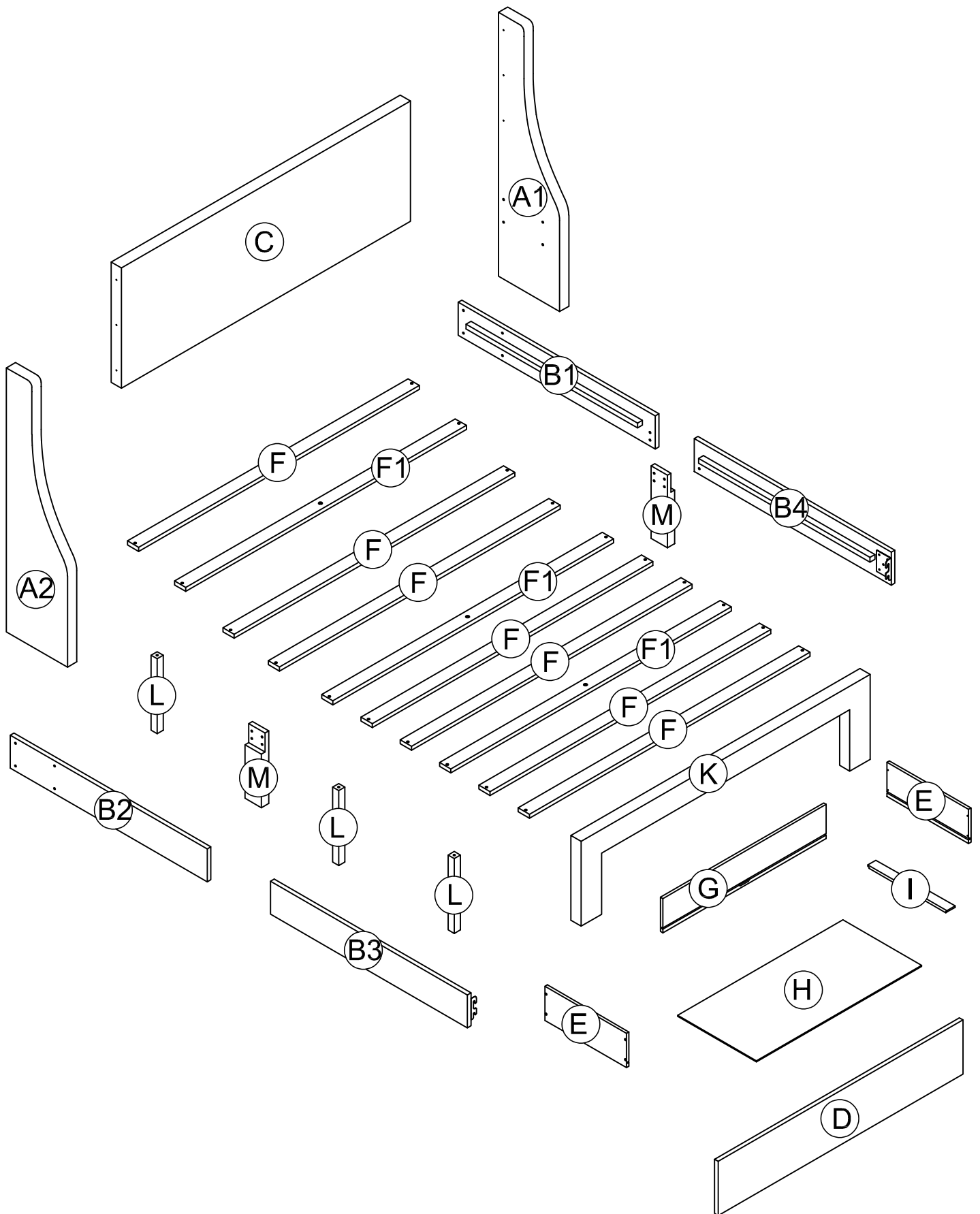
# ASSEMBLY INSTRUCTION



## **! SAFETY WARNINGS !**

1. This bed is designed for use FULL Mattress 75 inch Long and 54 inch Wide
2. Always use the recommended size mattresses or mattress supports, or both, to help prevent the likelihood of entrapment or falls.
3. Do not allow horseplay on or under the bed and prohibit jumping on the bed
4. Do not use substitute parts. Contact the manufacturer or dealer for replacement parts.
5. Keep these instructions for future reference

# ASSEMBLY INSTRUCTION



# Part List

A1



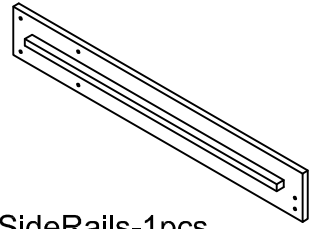
Right Arm-1pcs

A2



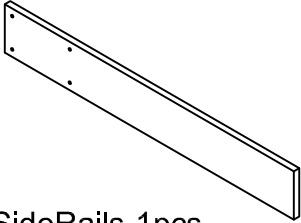
Left Arm-1pcs

B1



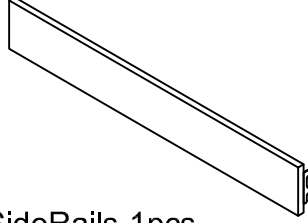
Side Rails-1pcs

B2



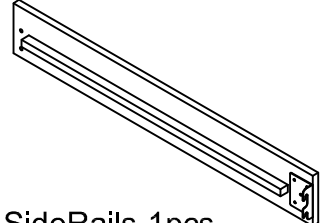
Side Rails-1pcs

B3



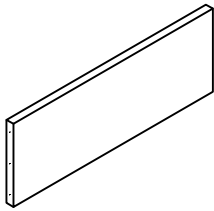
Side Rails-1pcs

B4



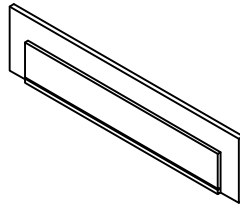
Side Rails-1pcs

C



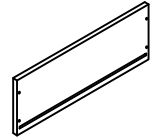
Head Board-1pcs

D



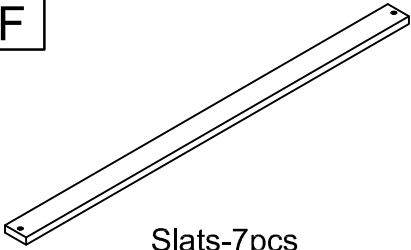
Drawers-Font Panel-1pcs

E



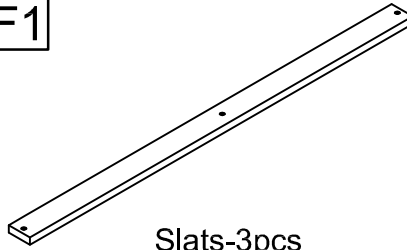
Drawers-Side Panel-2pcs

F



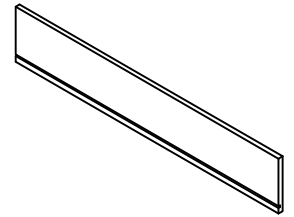
Slats-7pcs

F1



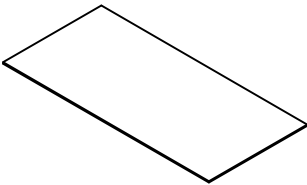
Slats-3pcs

G



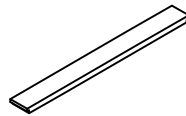
Drawers-Back Panel-1pcs

H



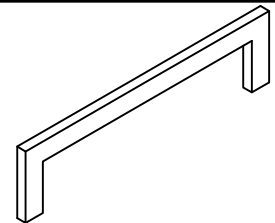
Drawers-Bottom Panel-1pcs

I



Drawers-Support Panel-1pcs

K



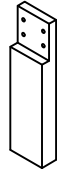
Foot Board-1pcs

L



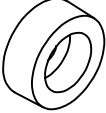
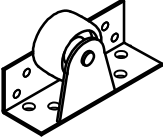




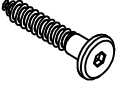

Legs Support Slat-3pcs

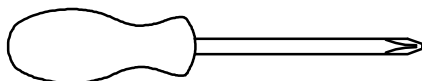
M



Legs Side Rails-2pcs

# Hardware List


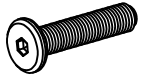
<p>1</p>  <p>Plastic Feet (Ø32x16) 6pcs</p>	<p>2</p>  <p>Wheels 4pcs</p>	<p>3</p>  <p>M4 x 15 mm Wood Screw 8pcs</p>
<p>4</p>  <p>M4 x 30 mm Wood Screws 28pcs</p>	<p>5</p>  <p>Ø1/4" x 25mm Hex-Head bolts 9pcs</p>	<p>6</p>  <p>Ø1/4" x 35mm Hex-Head bolts 16pcs</p>
<p>7</p>  <p>Ø1/4" x 40mm Hex-Head bolts 10pcs</p>	<p>8</p>  <p>Allen Key 1pcs</p>	

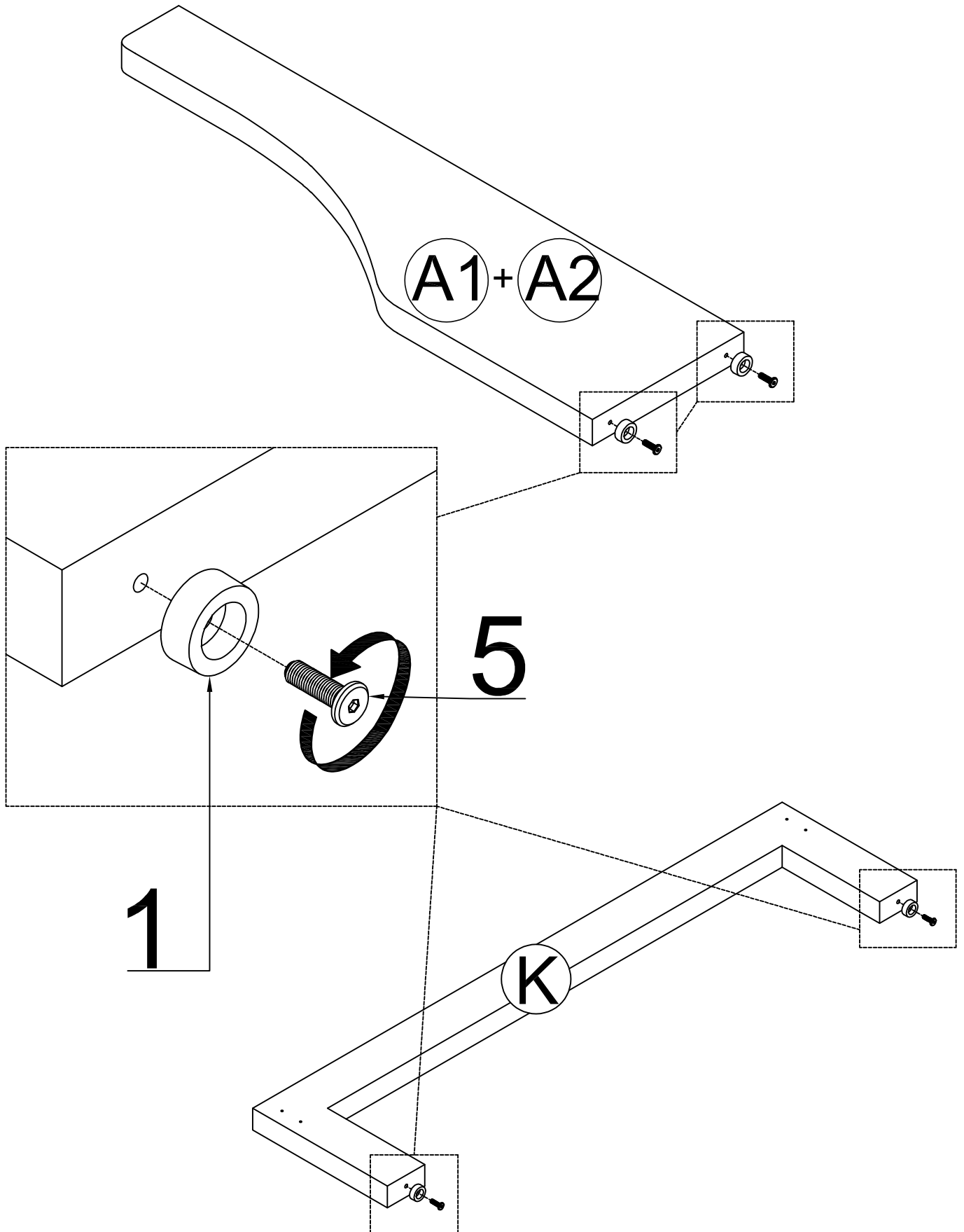


**Assembly Tools Required (Not Included)**

# STEP 1: Following below illustration

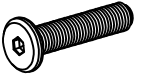
Assembly Plastic Feet(#1) With Headboard and Footboard use HW #2

1		5	
6pcs		6pcs	

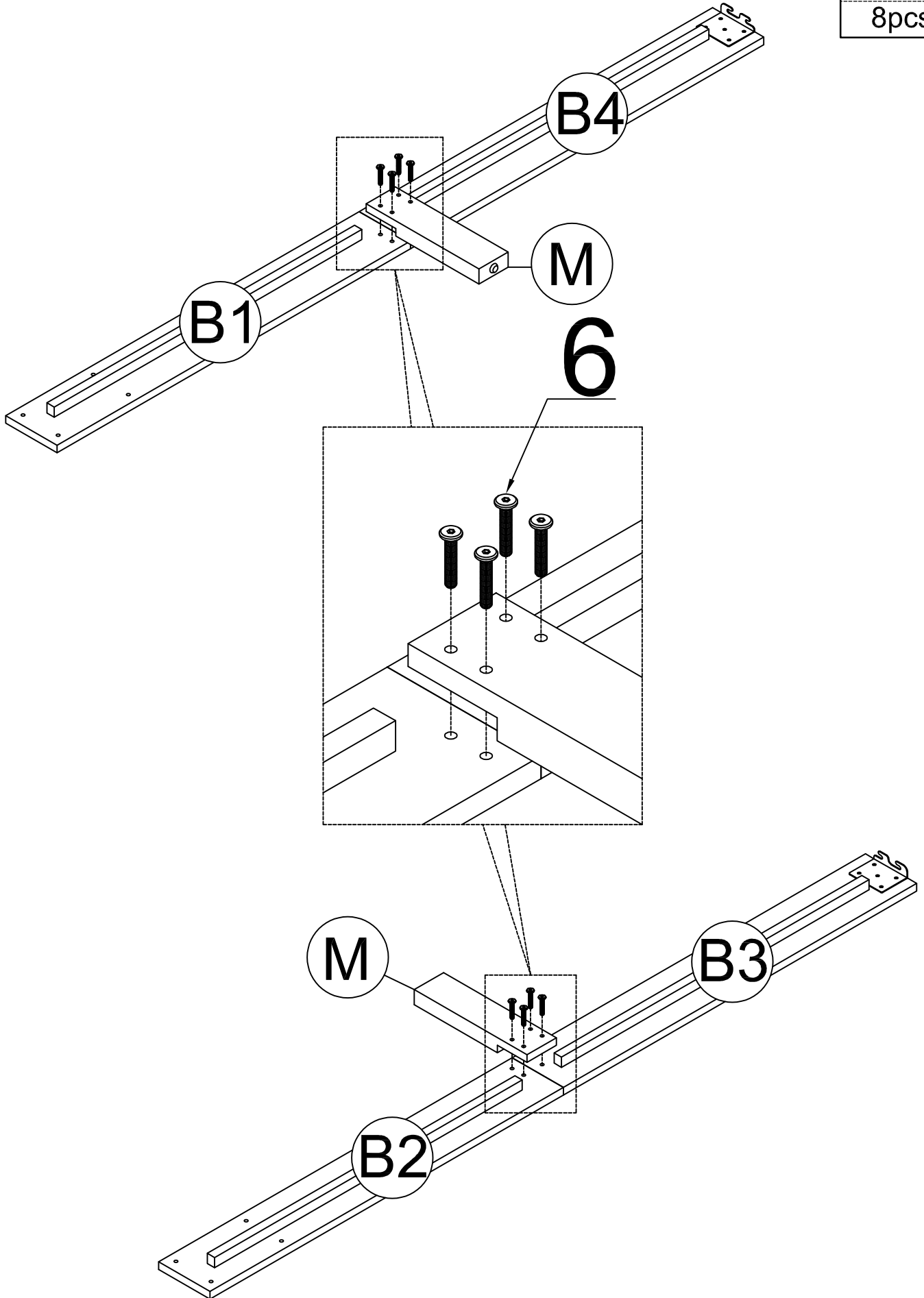


**STEP 2:** Following below illustration.

6

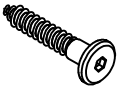


8pcs



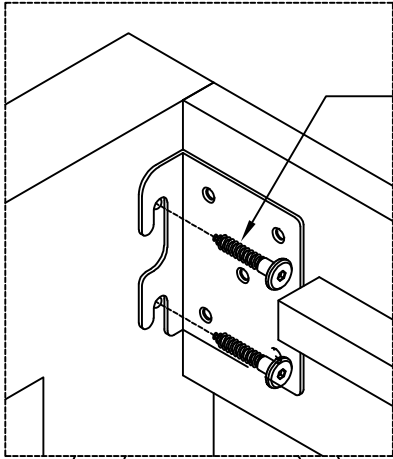
**STEP 3:** Following below illustration

7

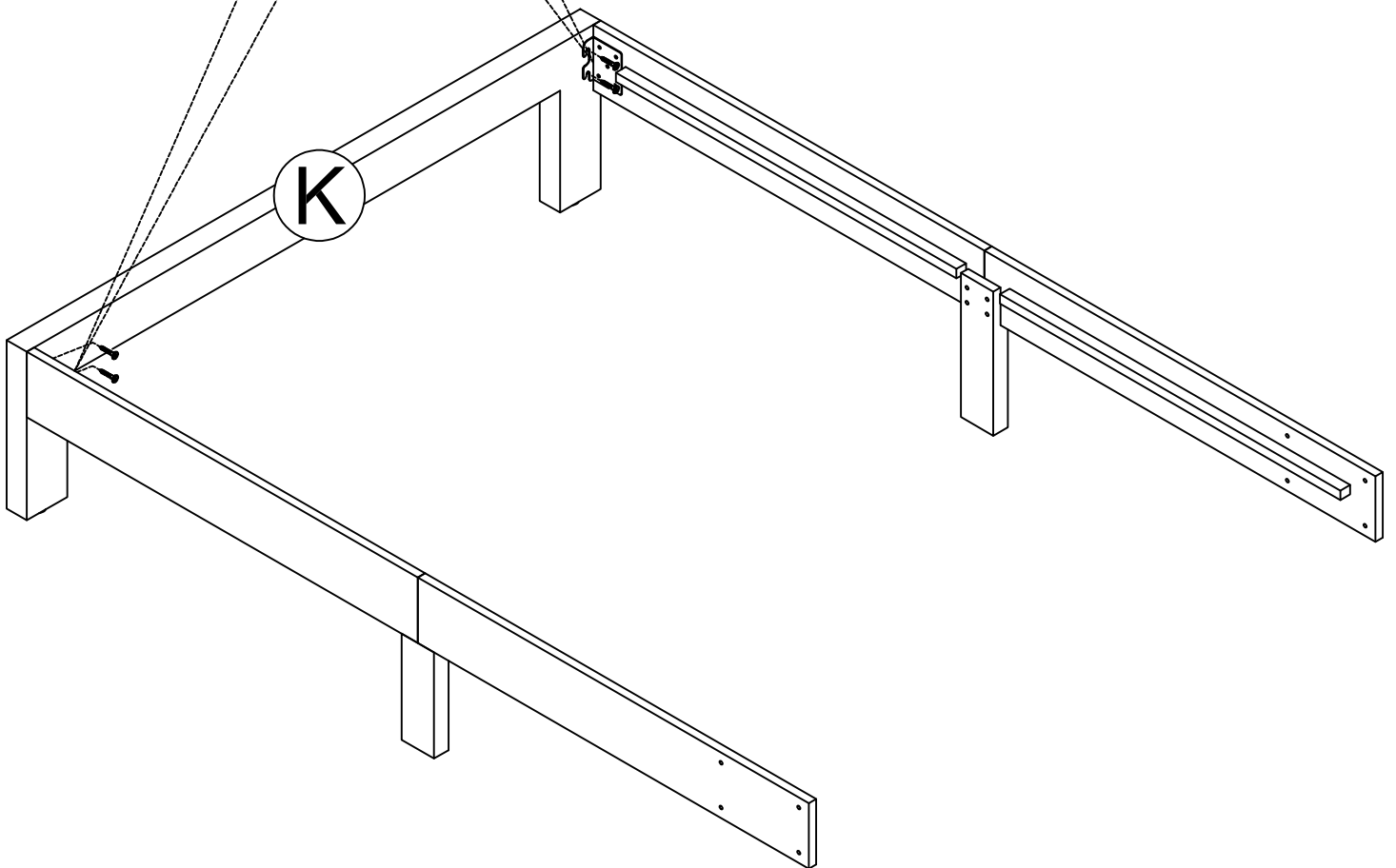


4pcs

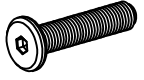
7

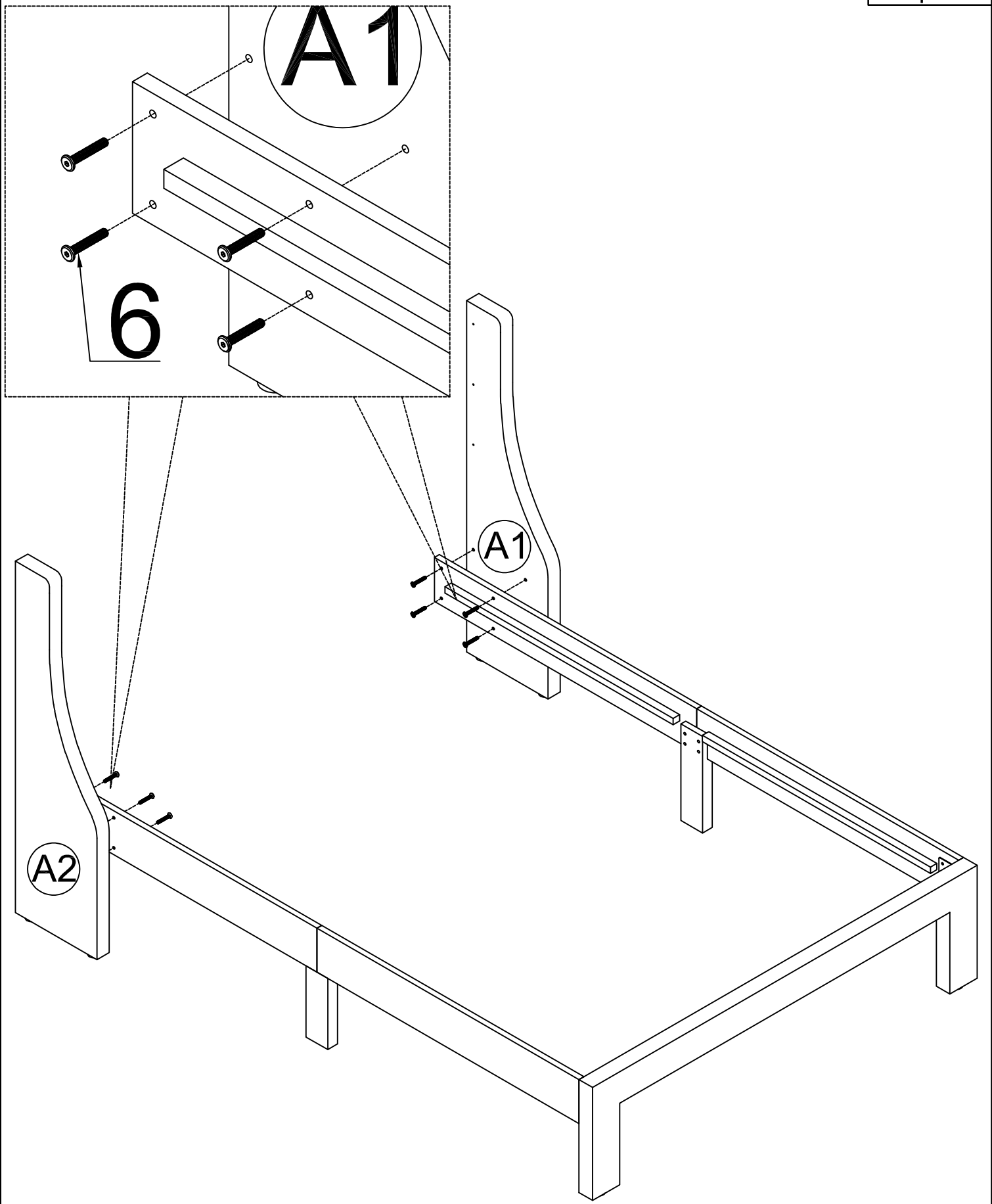


K



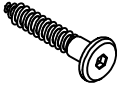
**STEP 4:** Following below illustration:

6

8pcs

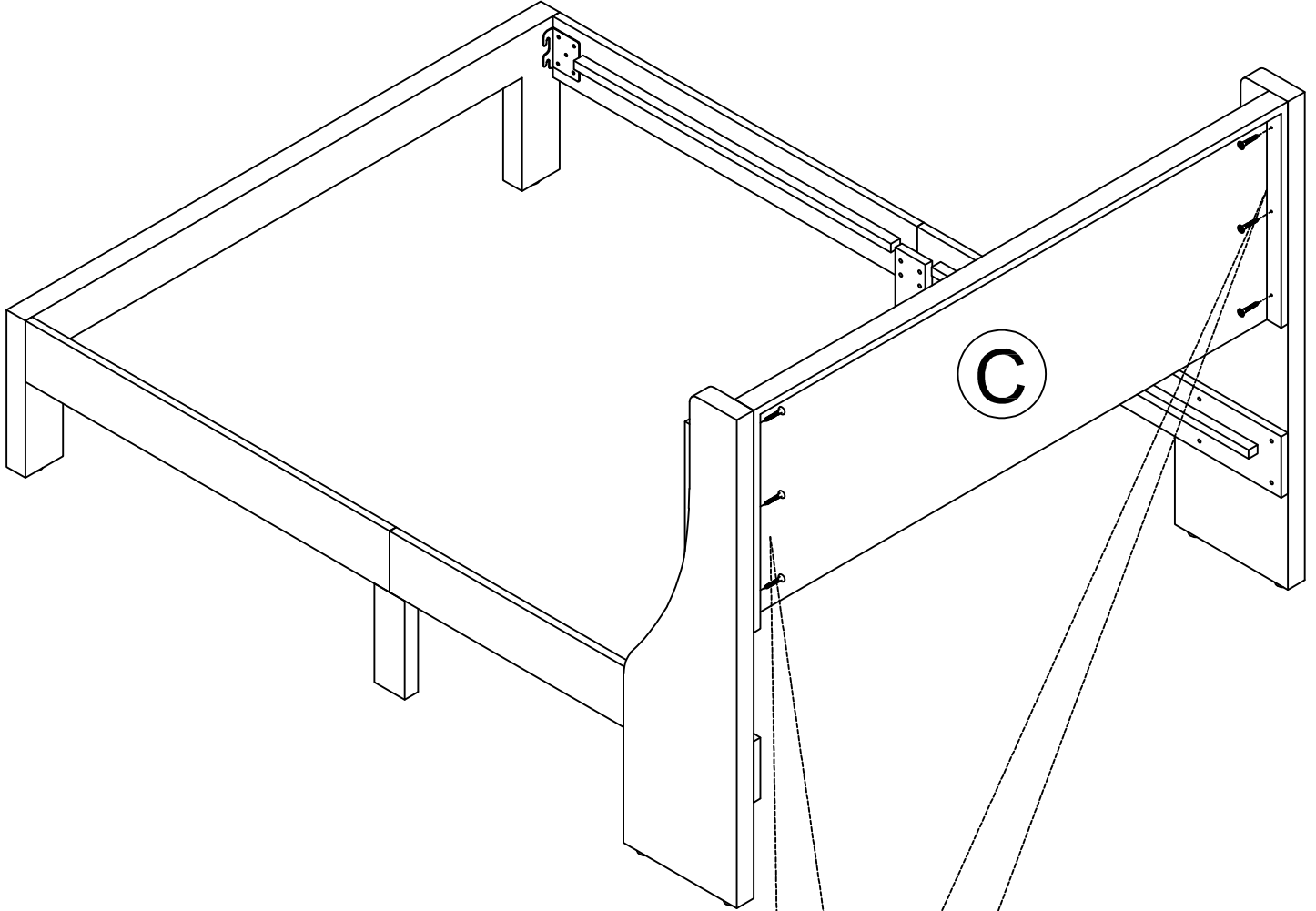


**STEP 5:** Following below illustration:

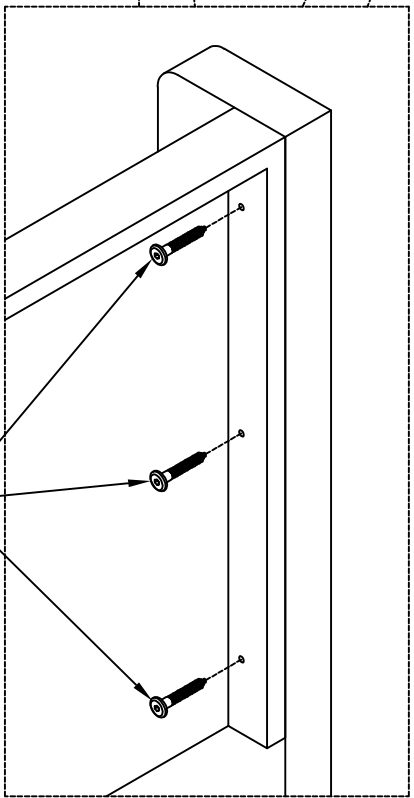
7



6pcs

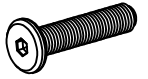


7



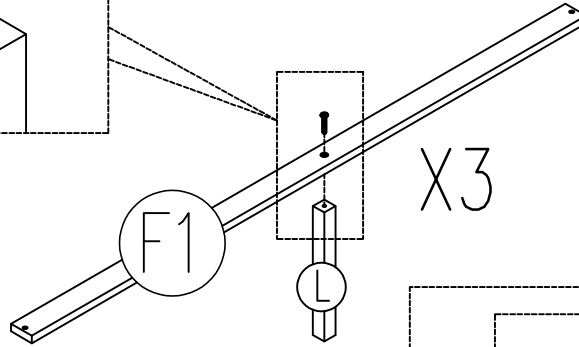
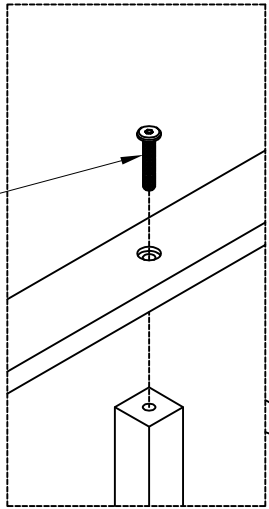
**STEP 6:** Following below illustration:

5



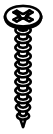
3pcs

5

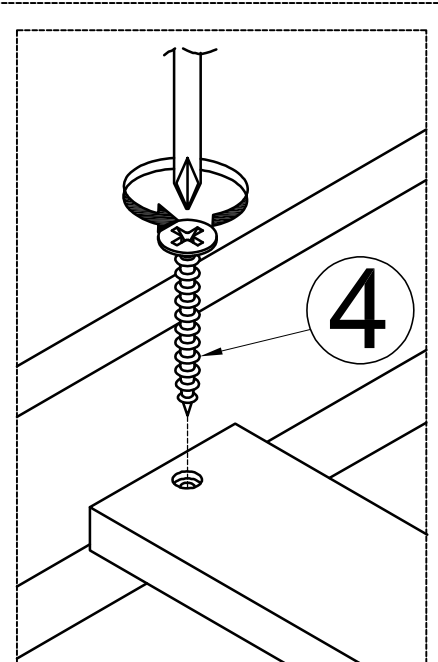
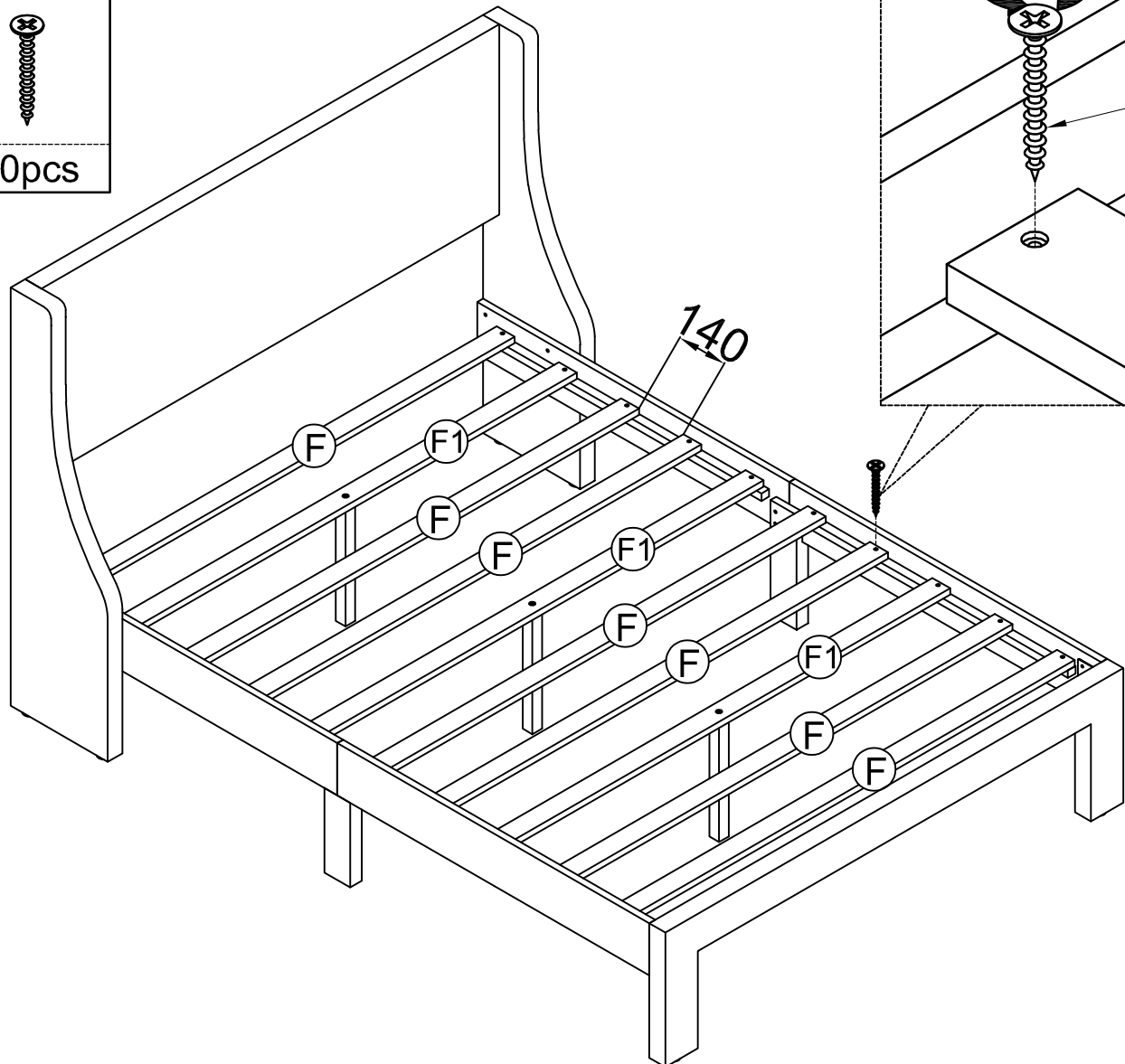


X3

4




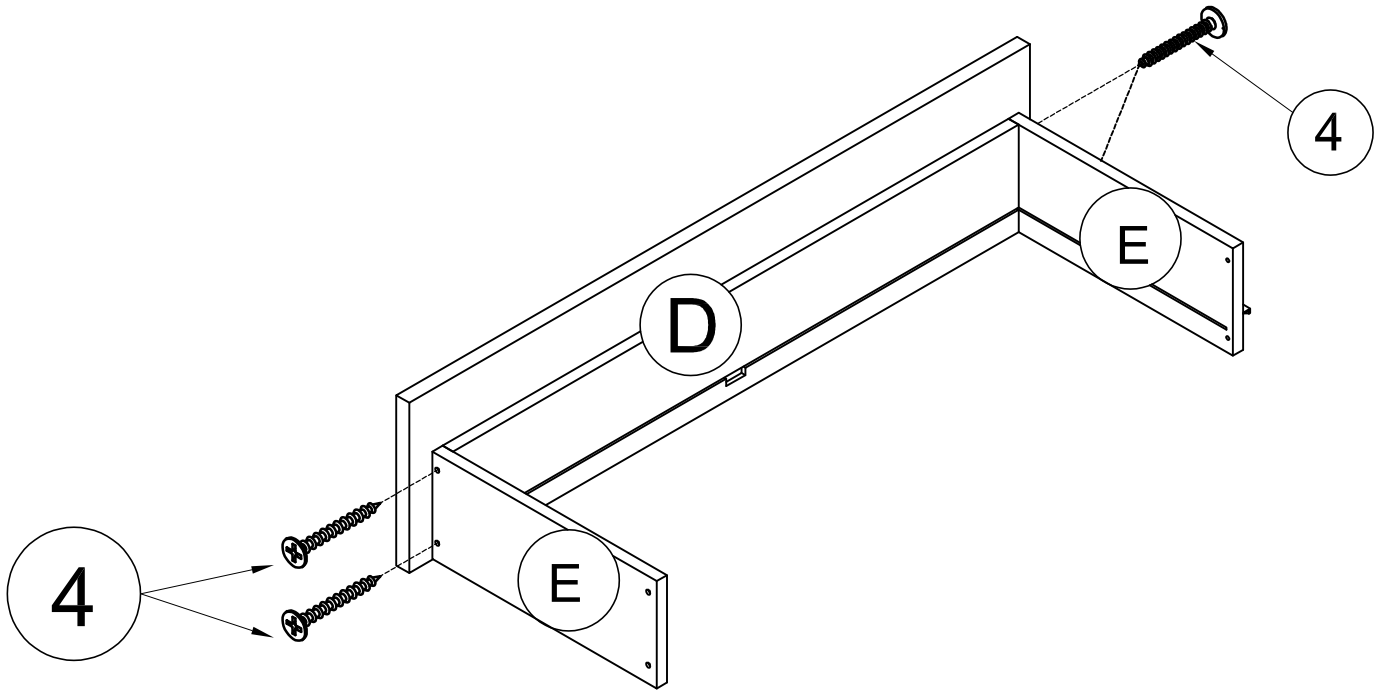
20pcs



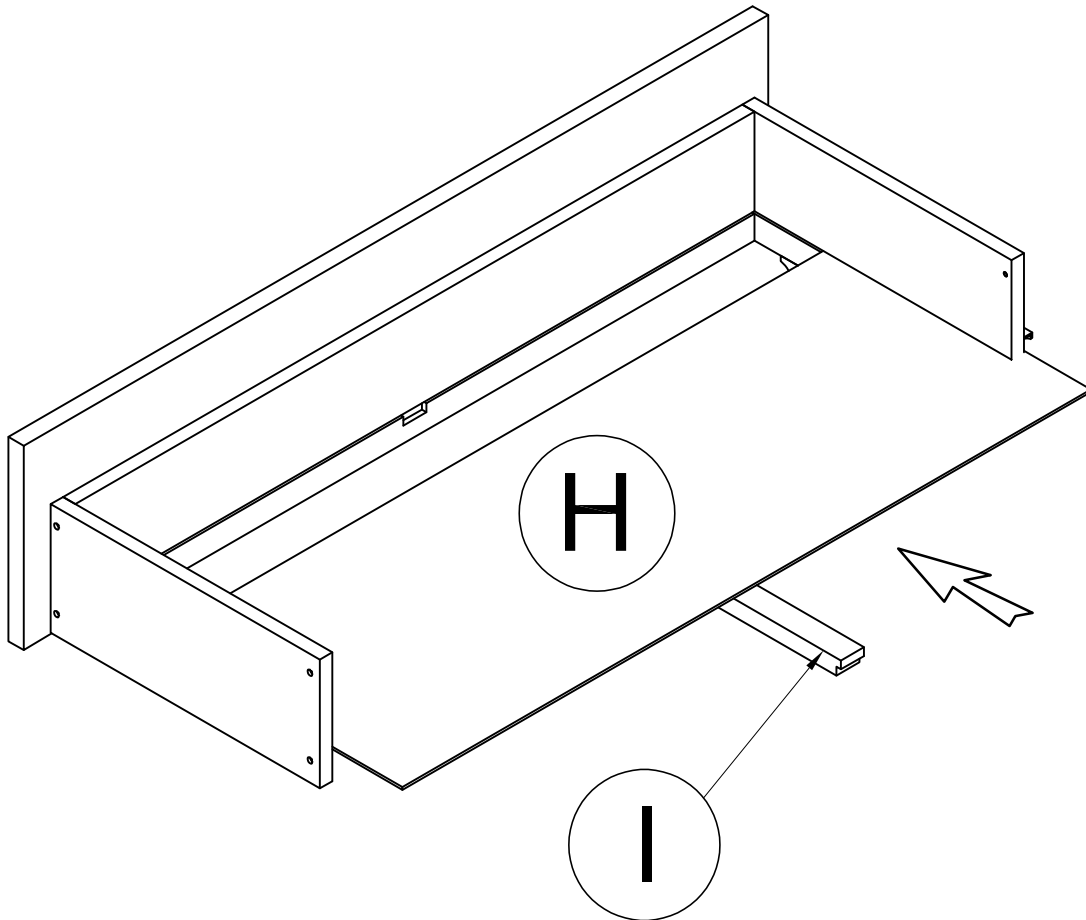
4

**STEP 7-1:** Following below illustration:


4   
4pcs

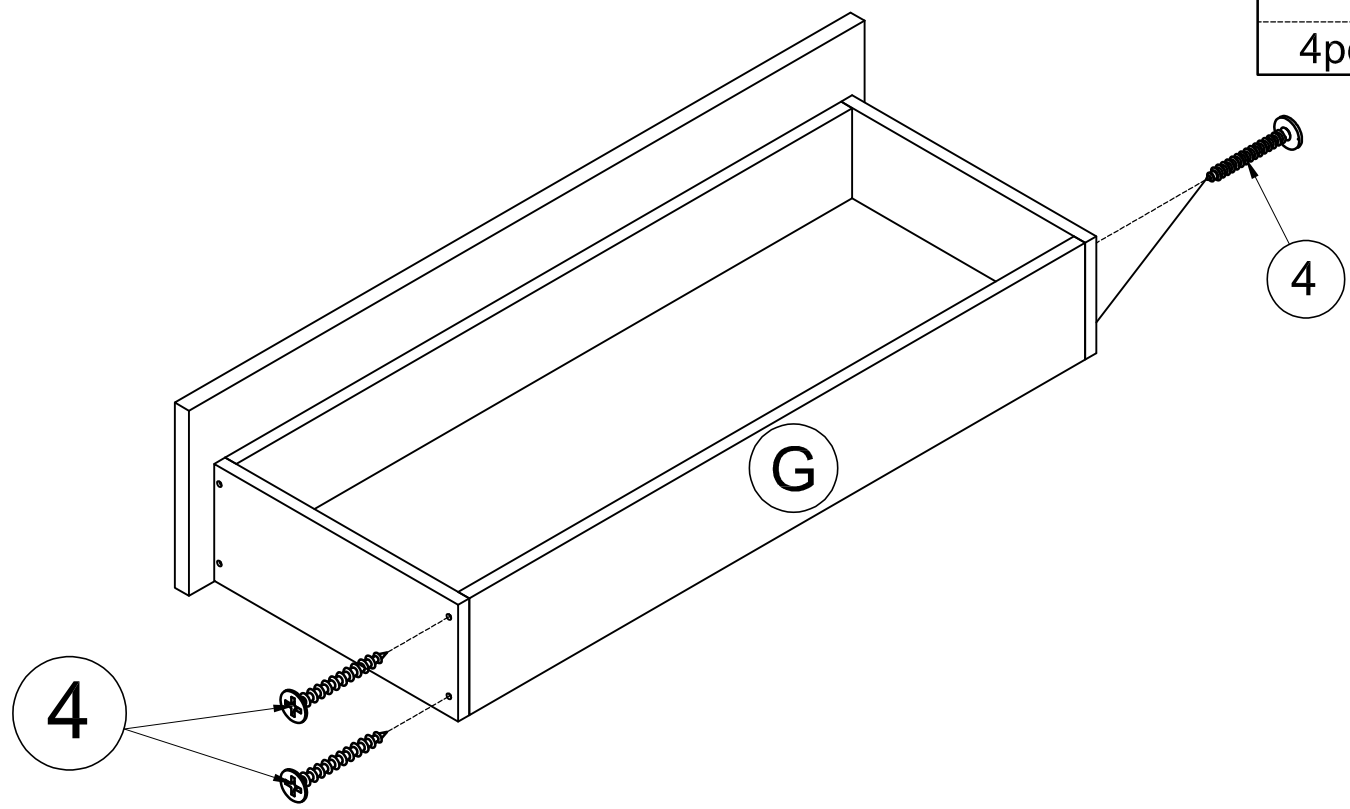


**STEP 7-2:** Following below illustration:




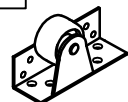
# STEP 7-3: Following below illustration:

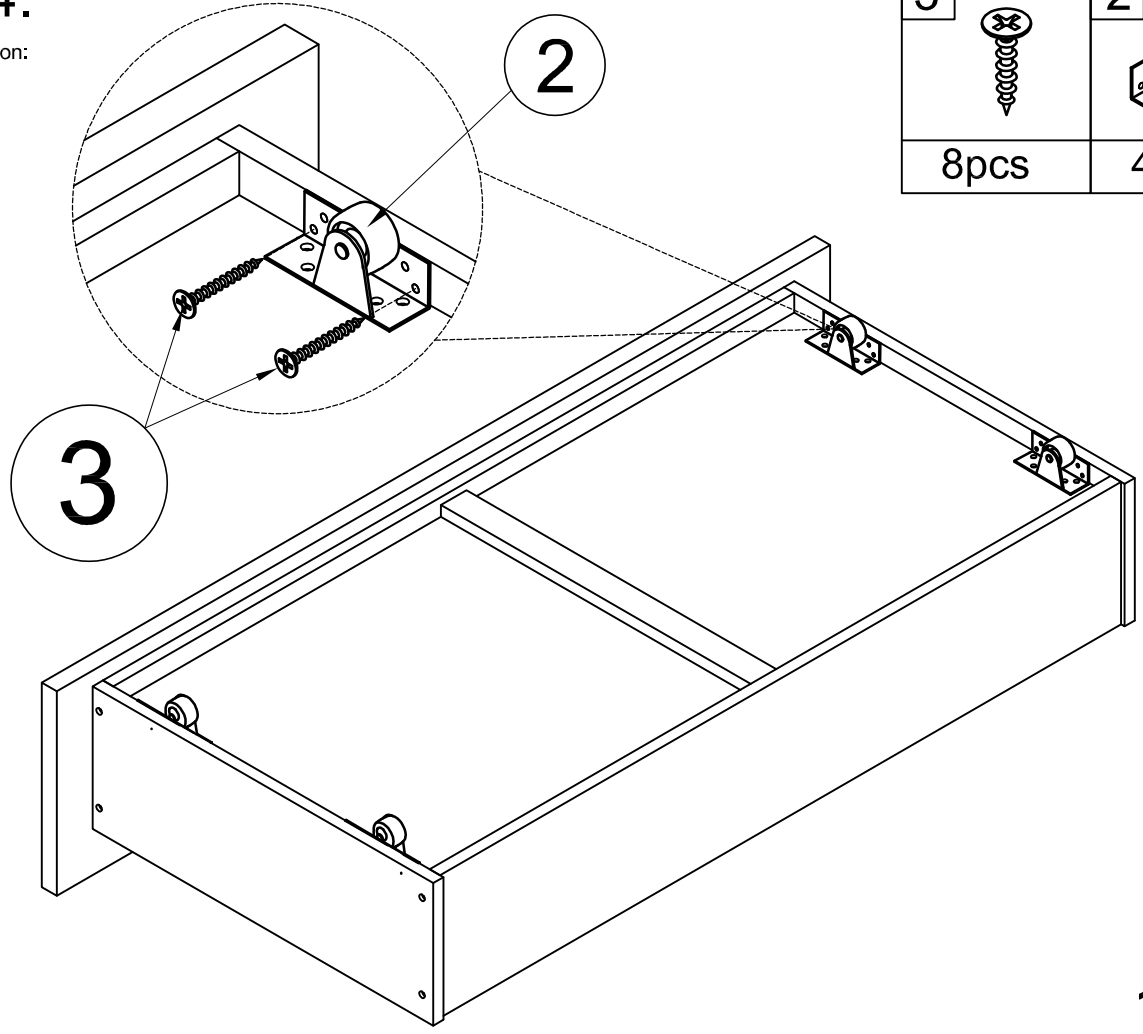
4	
4pcs	



# STEP 7-4:

Following below illustration:

3		2	
8pcs		4pcs	



# FINISH

