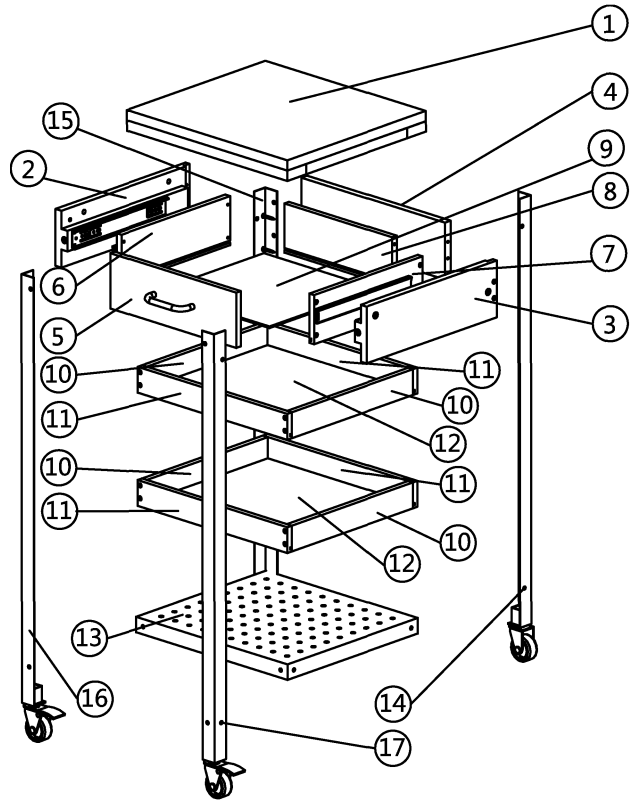


Assembly Instructions

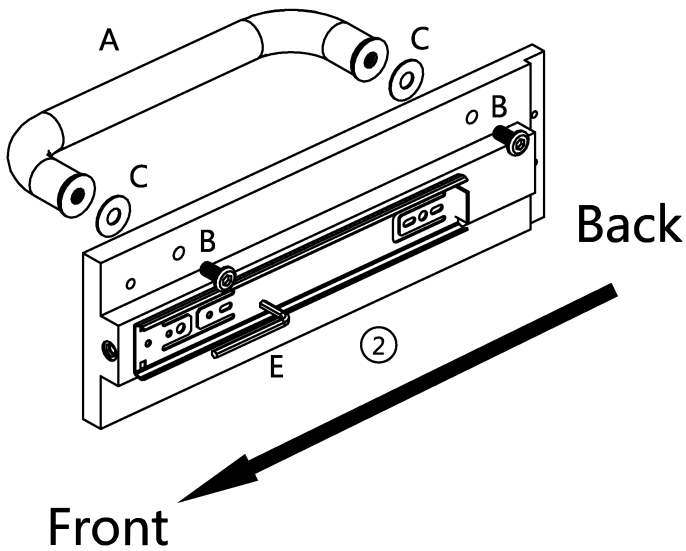


- Renewable resource – Bamboo has the Fastest Growing Cycle of any furniture raw material – 5 years sprout to harvest.
- Bamboo also has superior structural strength as well as the lowest moisture expansion/contraction displacement of any furniture raw material 50% lower than Oak or Pine
- Environmentally desirable UV activated finish – virtually 100% of the finish is utilized without spray or runoff waste and it dries instantly when exposed to UV Light without heat.

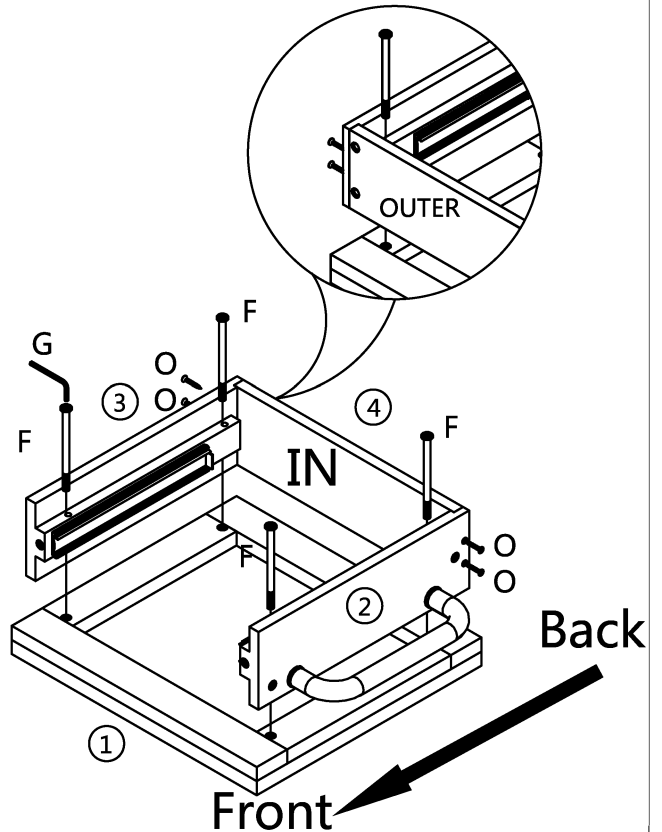
Before Assembly – Please place all parts onto a clean dry and soft surface to avoid damage during the assembly of your furniture.



1

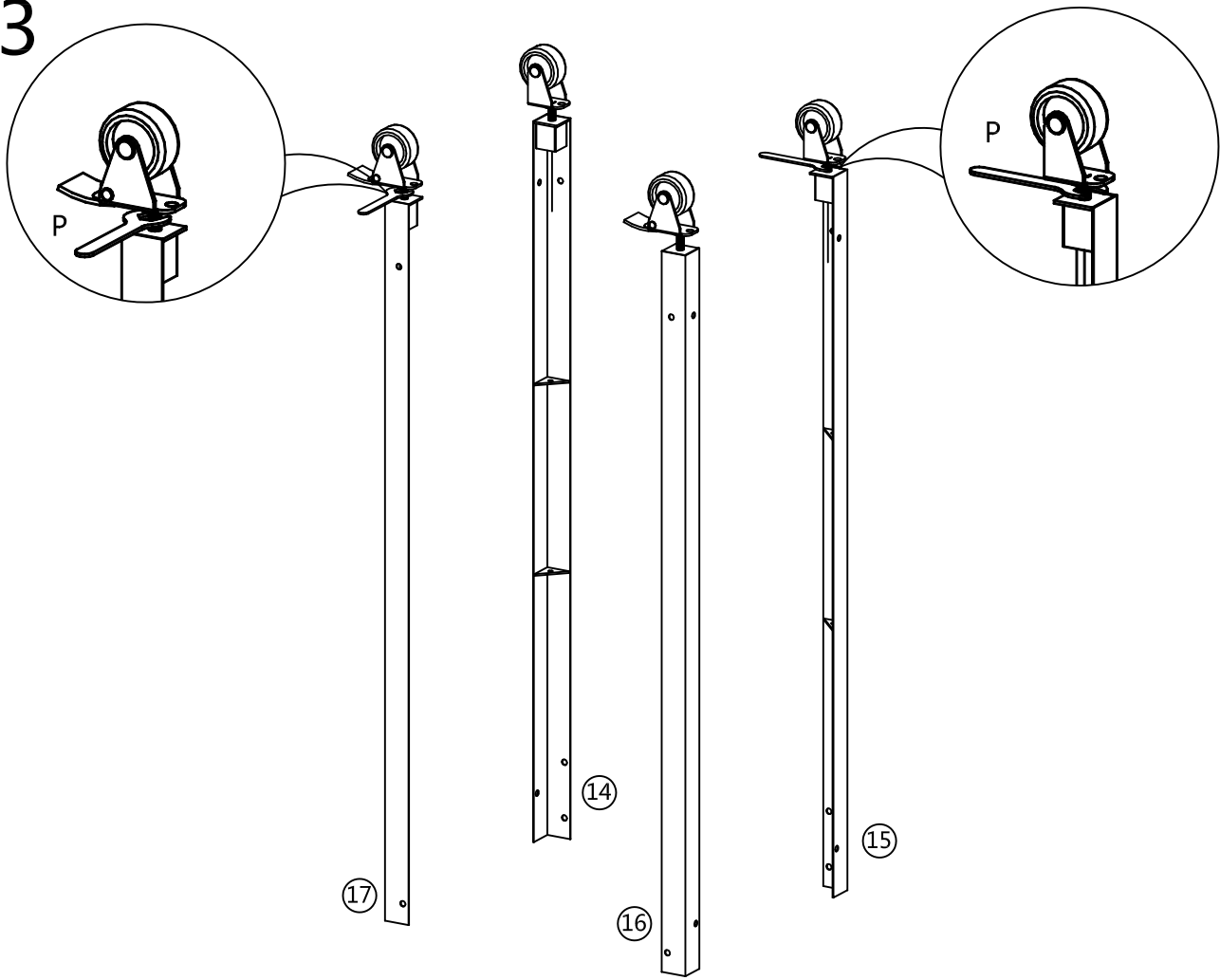


2

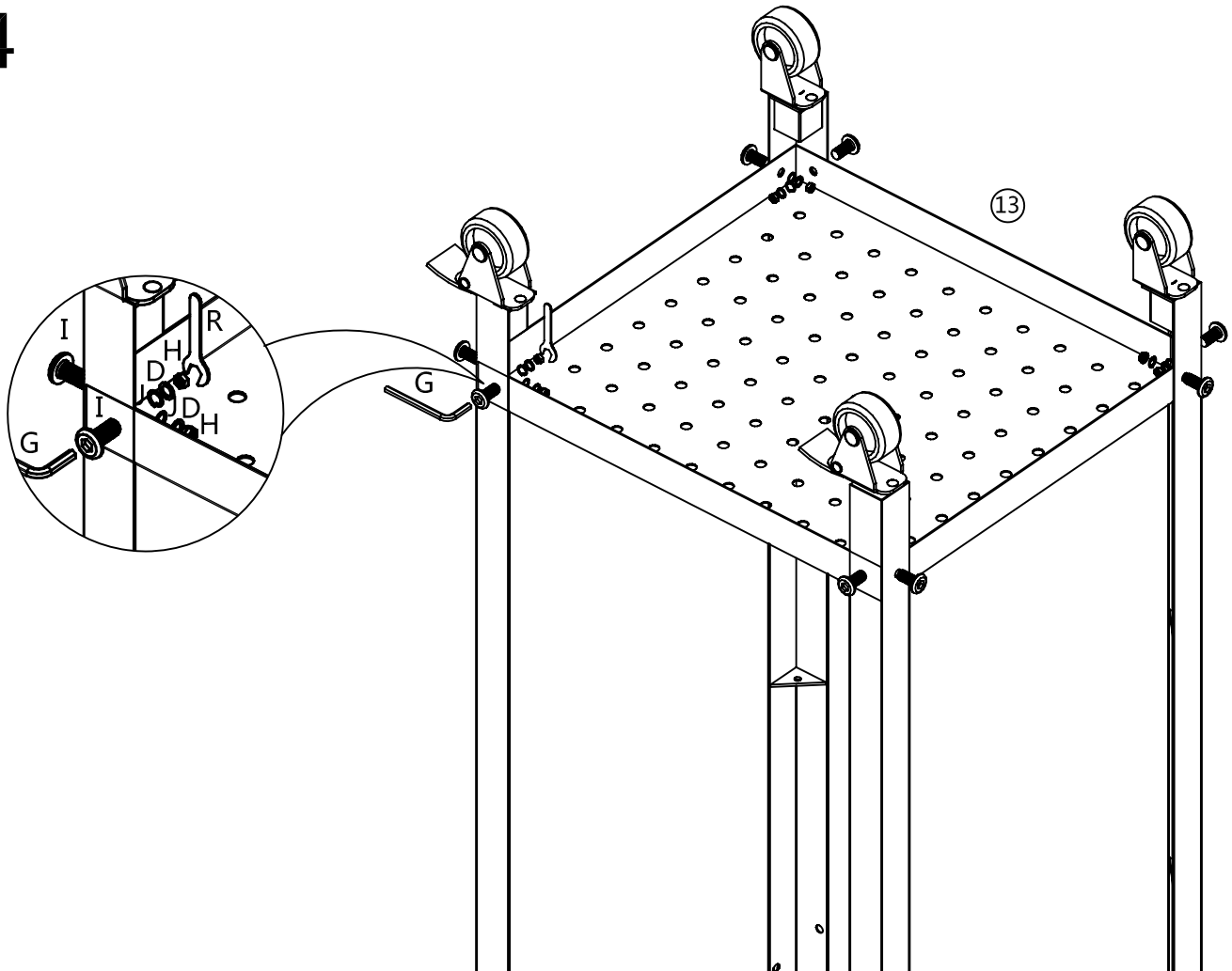


The above drawing is shown with the table top upside down - parts 2 & 3 must have the slides oriented with the open side closest to the front of the cart and the push bar on the left side of the cart as you look at it.

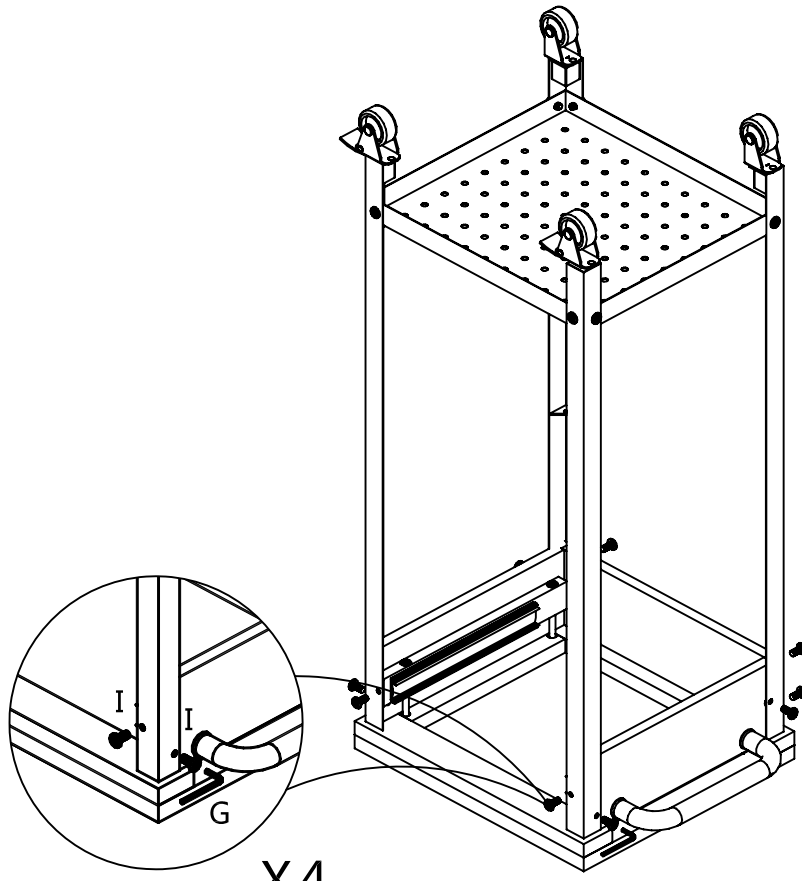
3



4

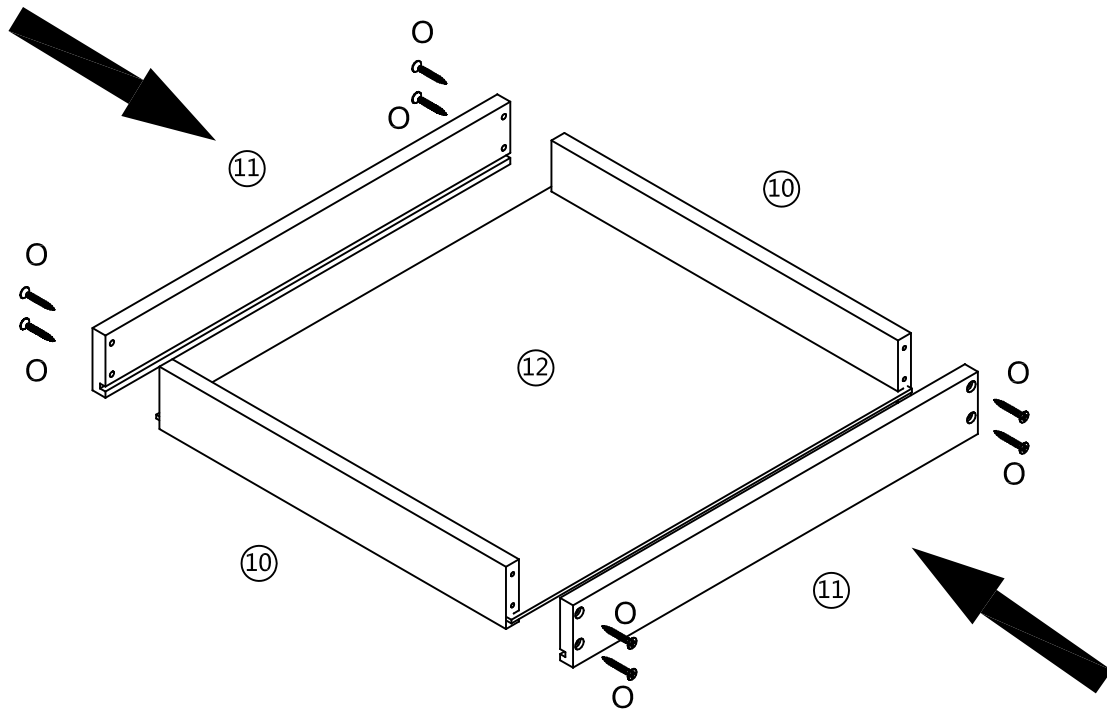


5



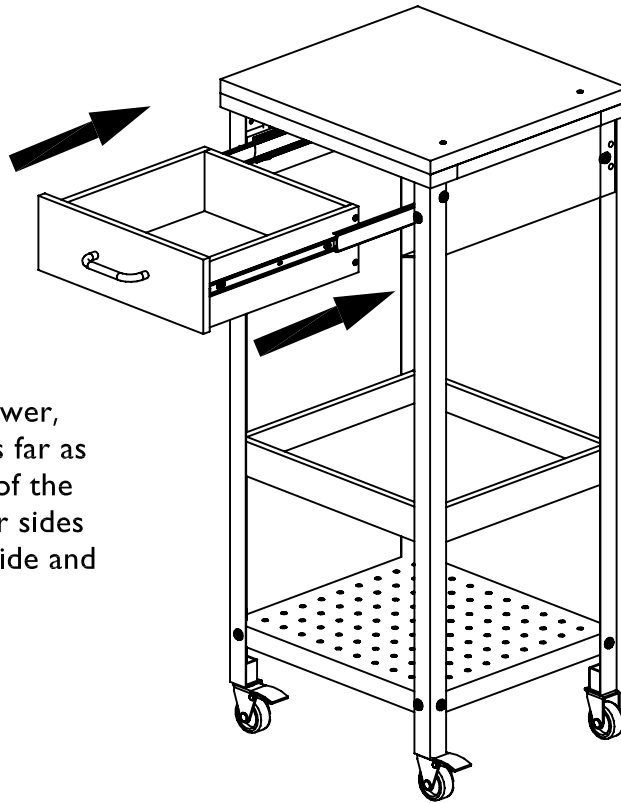
X4

6



X2

9



Before inserting the assembled drawer, please pull the drawer glides out as far as they will extend toward the front of the unit, then carefully align the drawer sides with the extended glides on each side and slowly insert.

10

