
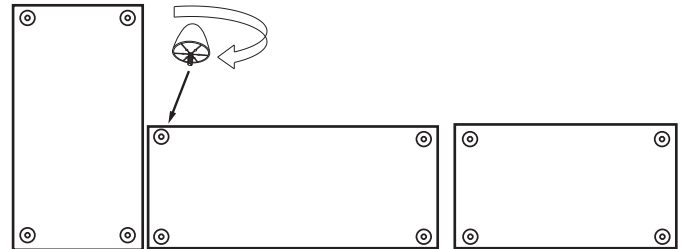


ASSEMBLY INSTRUCTION

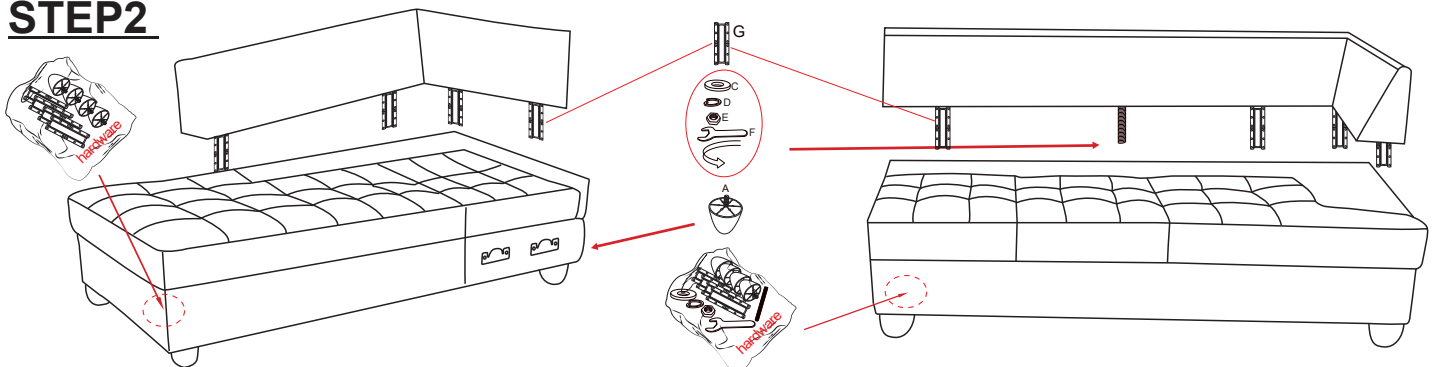
Please follow below Assembly Instruction step by step.

HARDWEAR LIST			
NO.	DESCRIPTION		QTY (pcs)
A	 leg		12
B			1
C			1
D			1
E			1
F			1
G			8

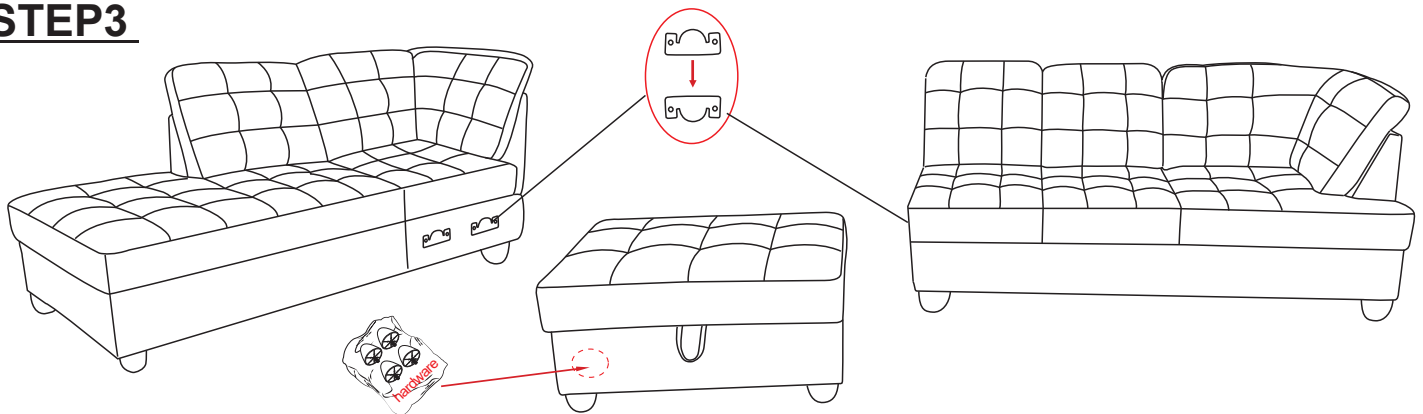
STEP1 ATTENTION:
LEGS LOCATION:
Please check zipper
compartment underneath the seat area.



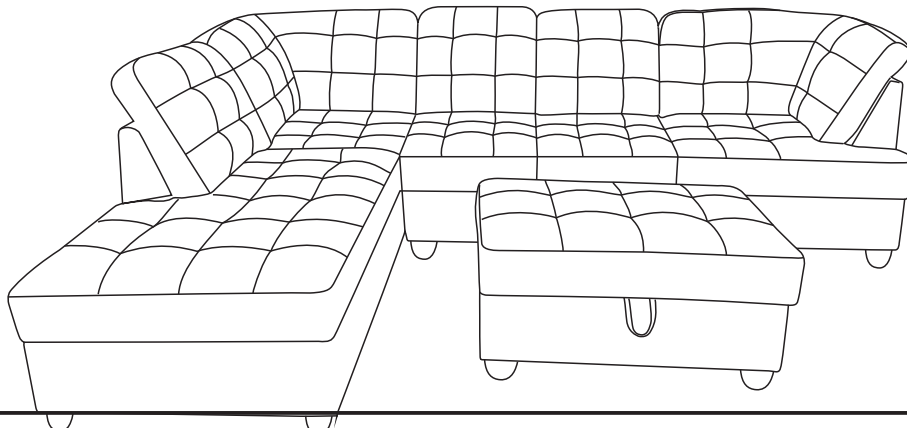
STEP2



STEP3









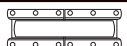
STEP4



ASSEMBLY INSTRUCTION

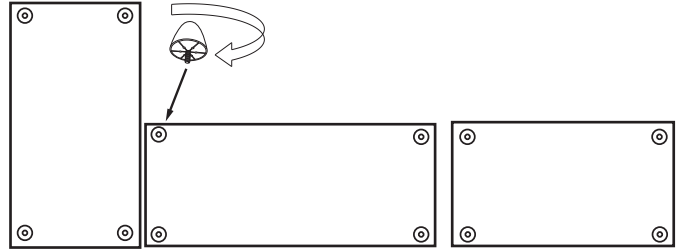
Please follow below Assembly Instruction step by step.

HARDWEAR LIST

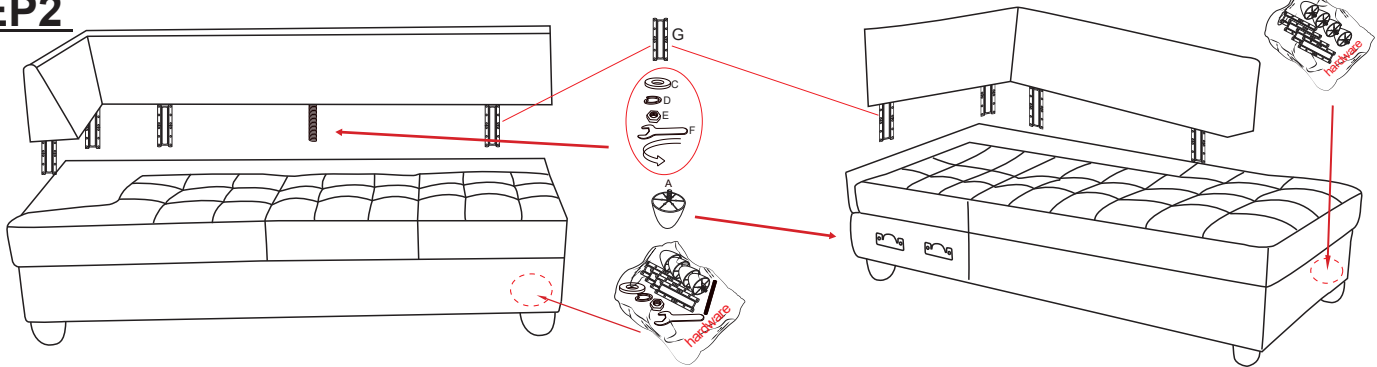
NO.	DESCRIPTION	QTY (pcs)
A	 leg	12
B		1
C		1
D		1
E		1
F		1
G		8

STEP1

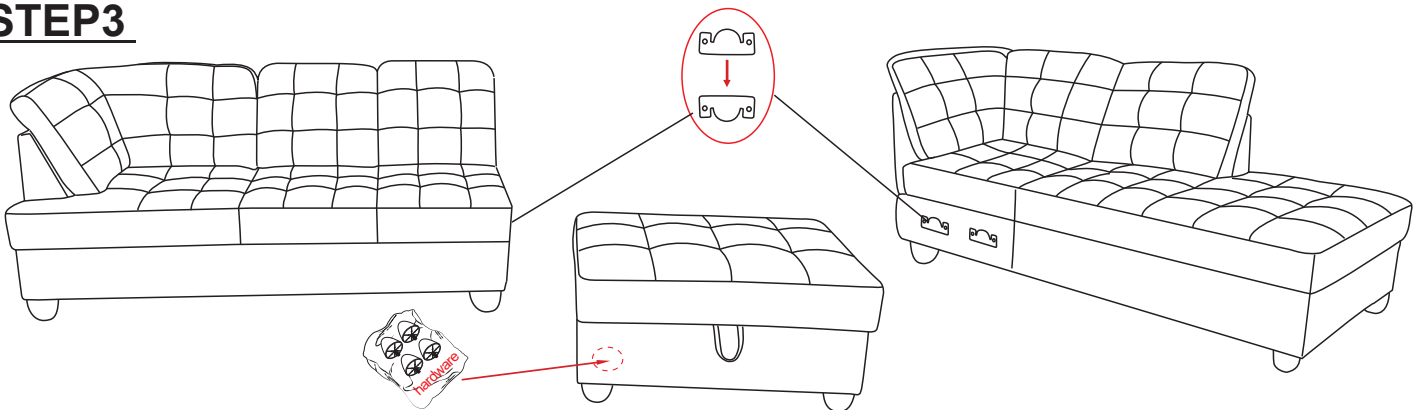
ATTENTION:
LEGS LOCATION:
Please check zipper compartment underneath the seat area.



STEP2



STEP3



STEP4

