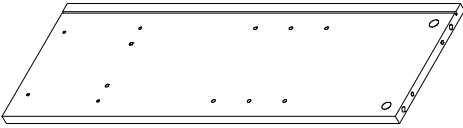
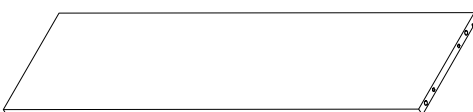
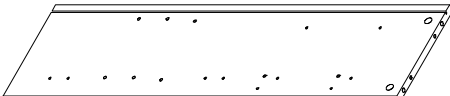
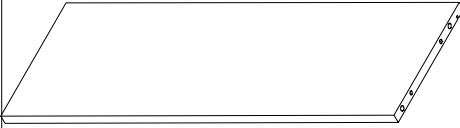
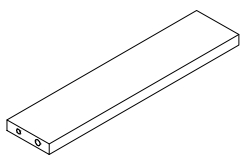
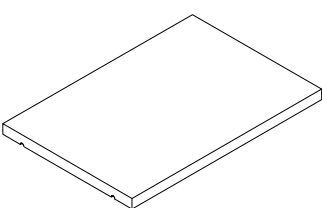
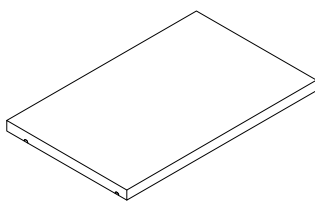

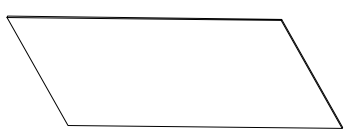
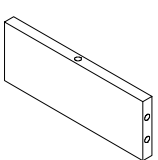
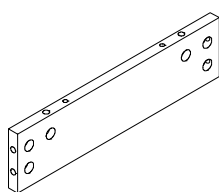
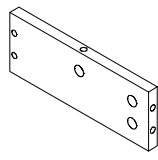
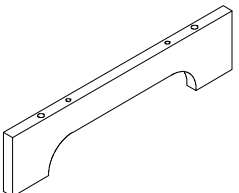
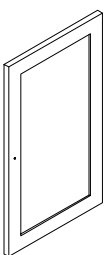
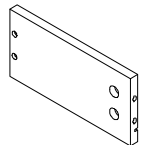
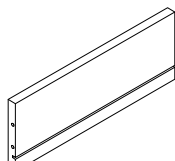
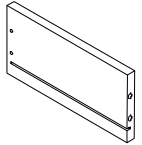
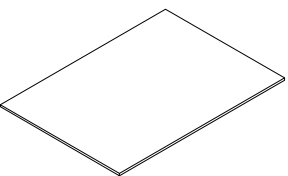
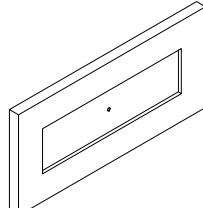
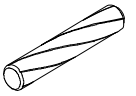
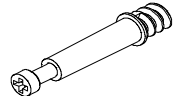

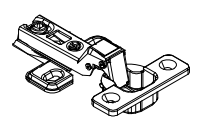
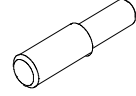
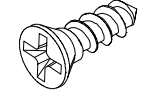

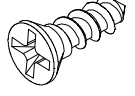
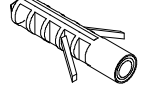

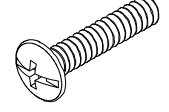
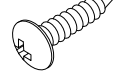
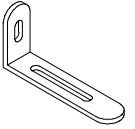
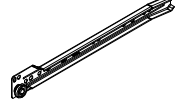
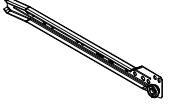
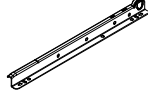
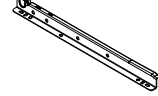
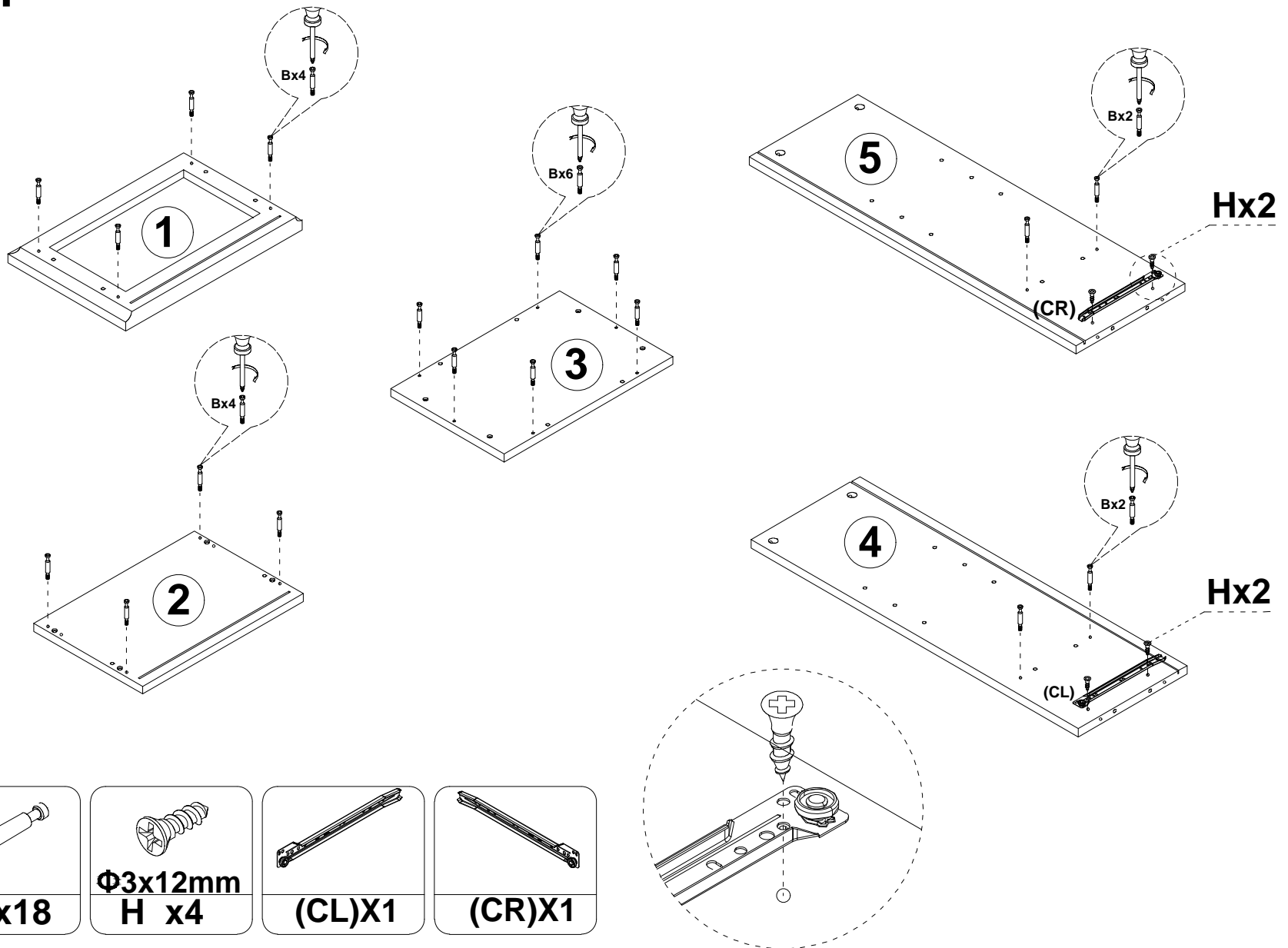

① x 1	② x 1	③ x 1	④ x 1
			
⑤ x 1	⑥ x 1	⑦ x 1	⑧ x 1
			
⑨ x 2	⑩ x 1	⑪ x 1	⑫ x 1
			
⑬ x 1	⑭ x 1	⑮ x 1	⑯ x 1
			
⑰ x 1	⑱ x 1	⑲ x 3	⑳ x 3
			
㉑ x 3	㉒ x 3	㉓ x 3	



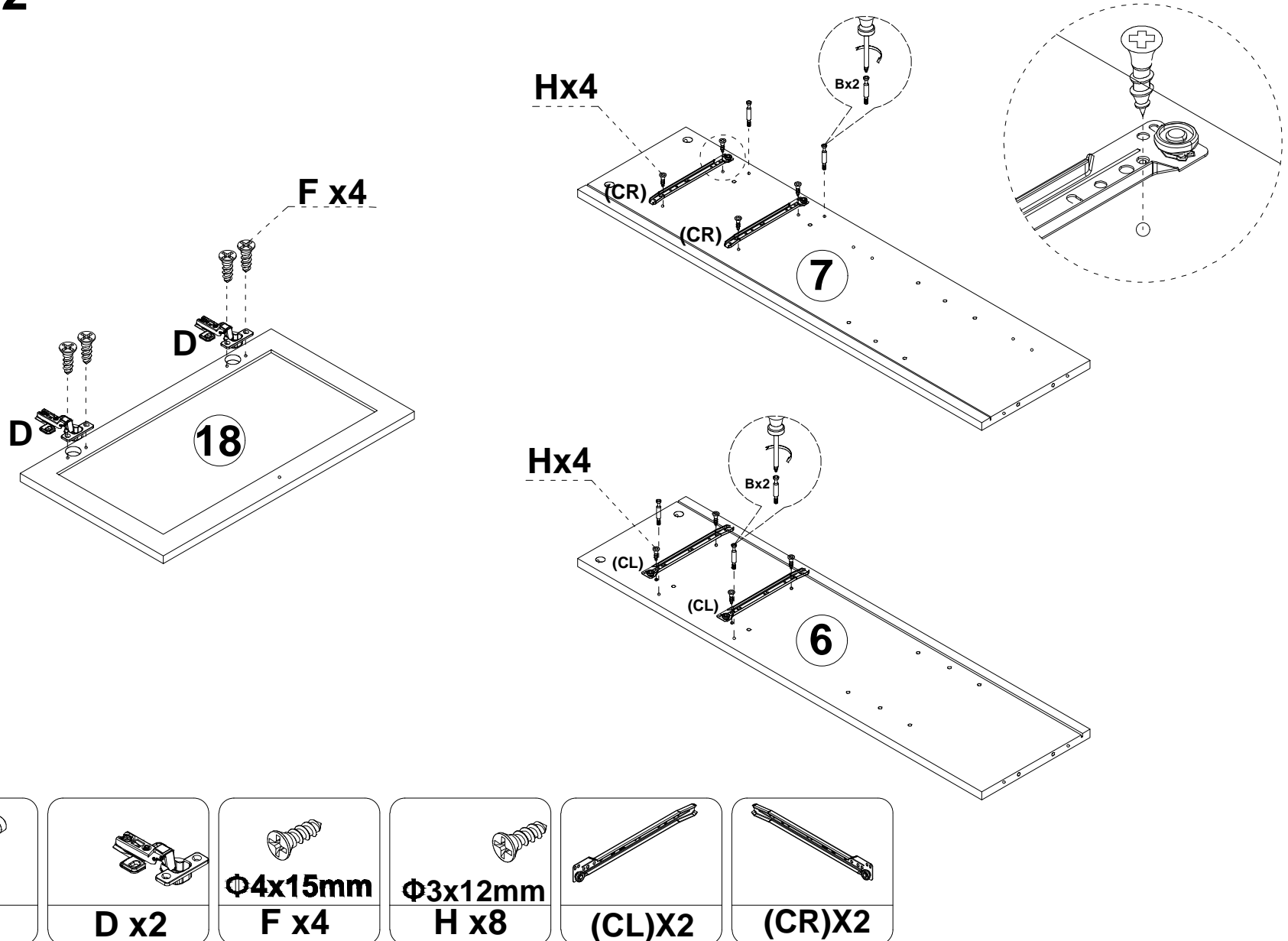
 <b>Φ6x30mm</b> <b>A x 28+2</b>	 <b>B x 42+3</b>	 <b>C x 42+3</b>	 <b>D x2</b>	 <b>E x8+1</b>	 <b>Φ4x15mm</b> <b>F x8+1</b>
 <b>Φ4x35mm</b> <b>G x21+2</b>	 <b>Φ3x12mm</b> <b>Hx24+2</b>	 <b>I x1</b>	 <b>J x4</b>	 <b>Φ4x10mm</b> <b>K x4</b>	 <b>Φ4x12mm</b> <b>L x1</b>
 <b>M x1</b>	 <b>(CL)X3</b>	 <b>(CR)X3</b>	 <b>(DL)X3</b>	 <b>(DR)X3</b>	



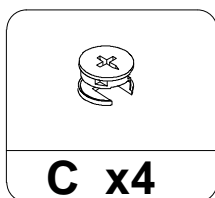
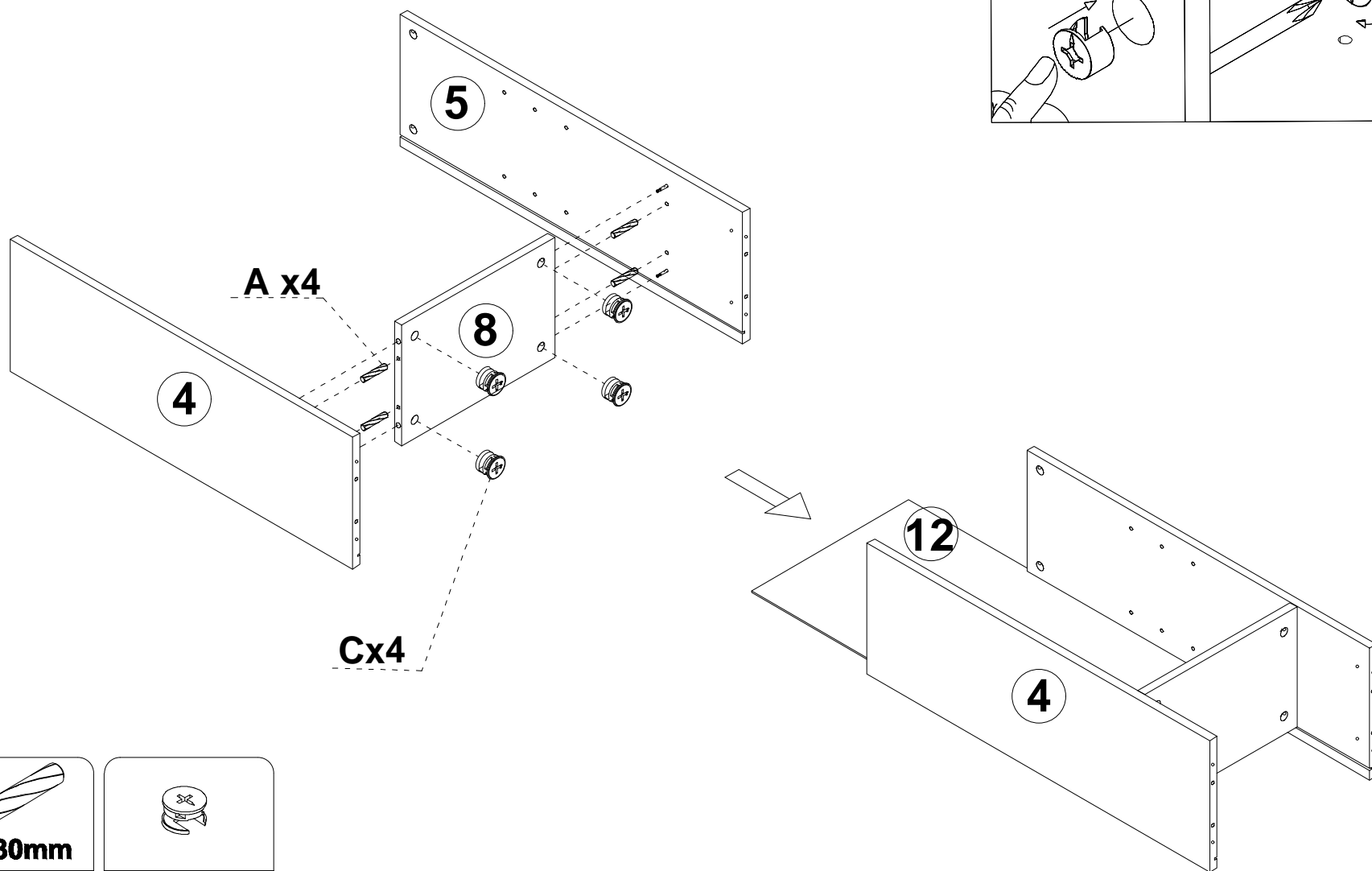
## step 1



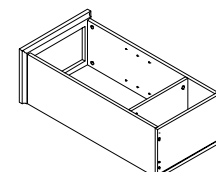
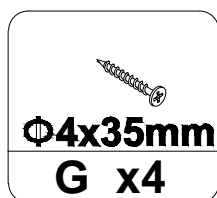
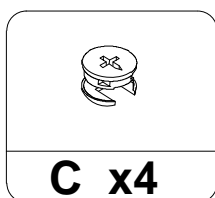
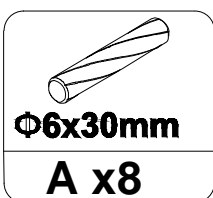
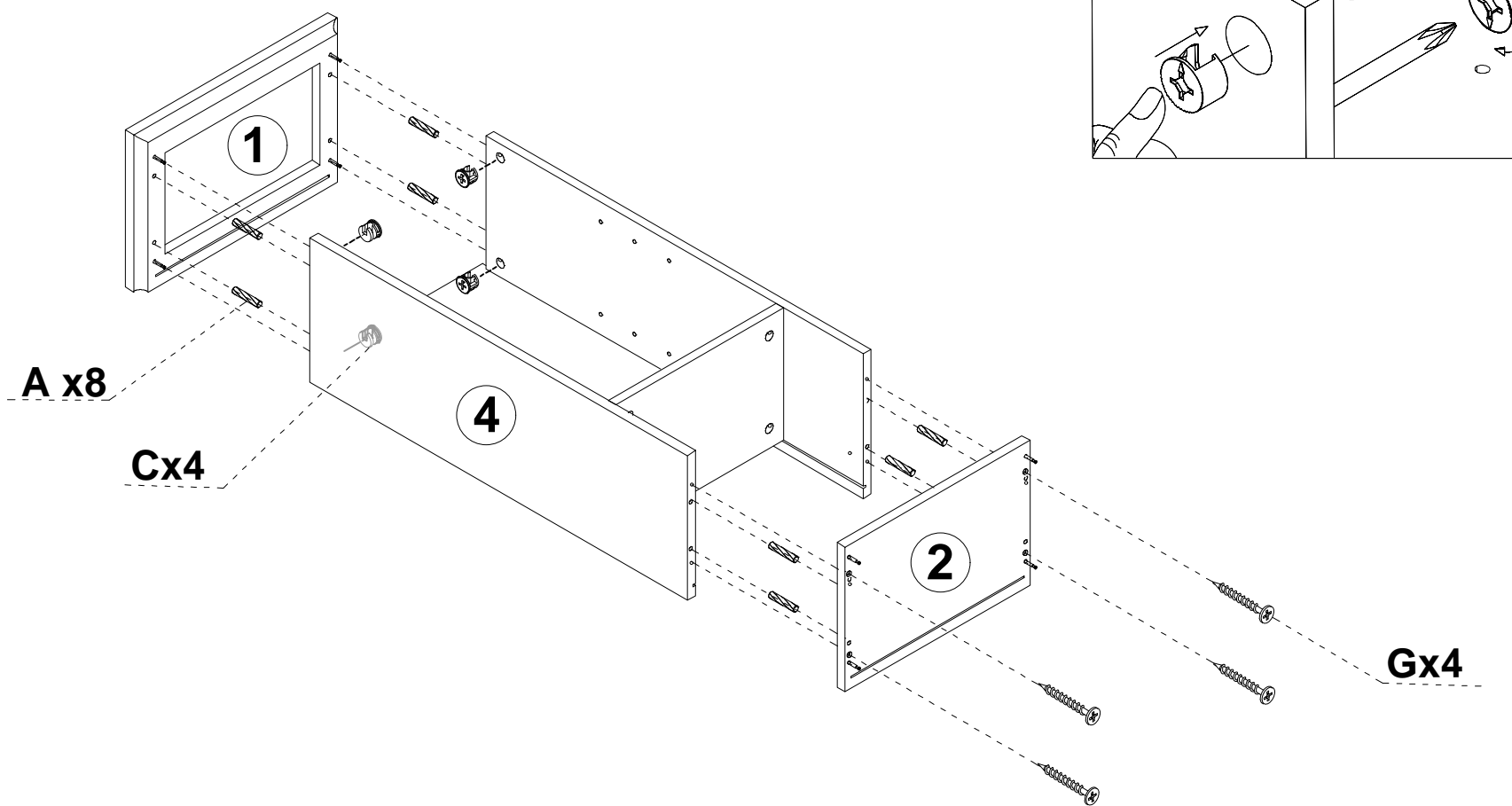
## step 2



### step 3

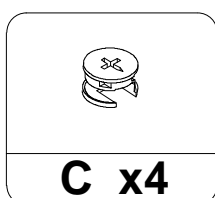
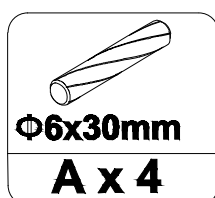
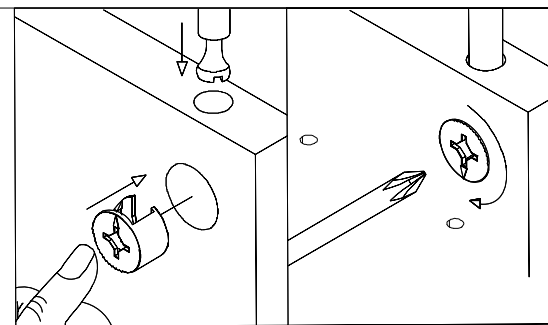
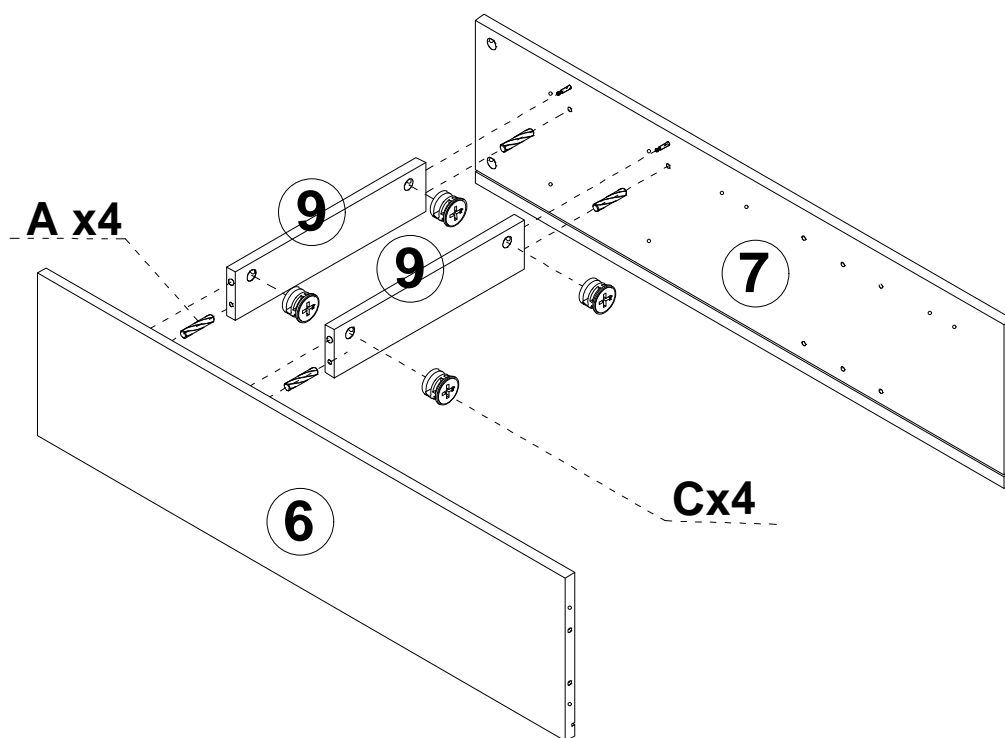


### step 4

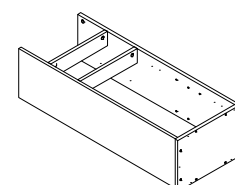
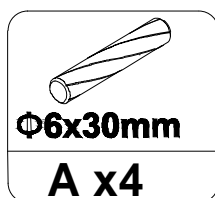
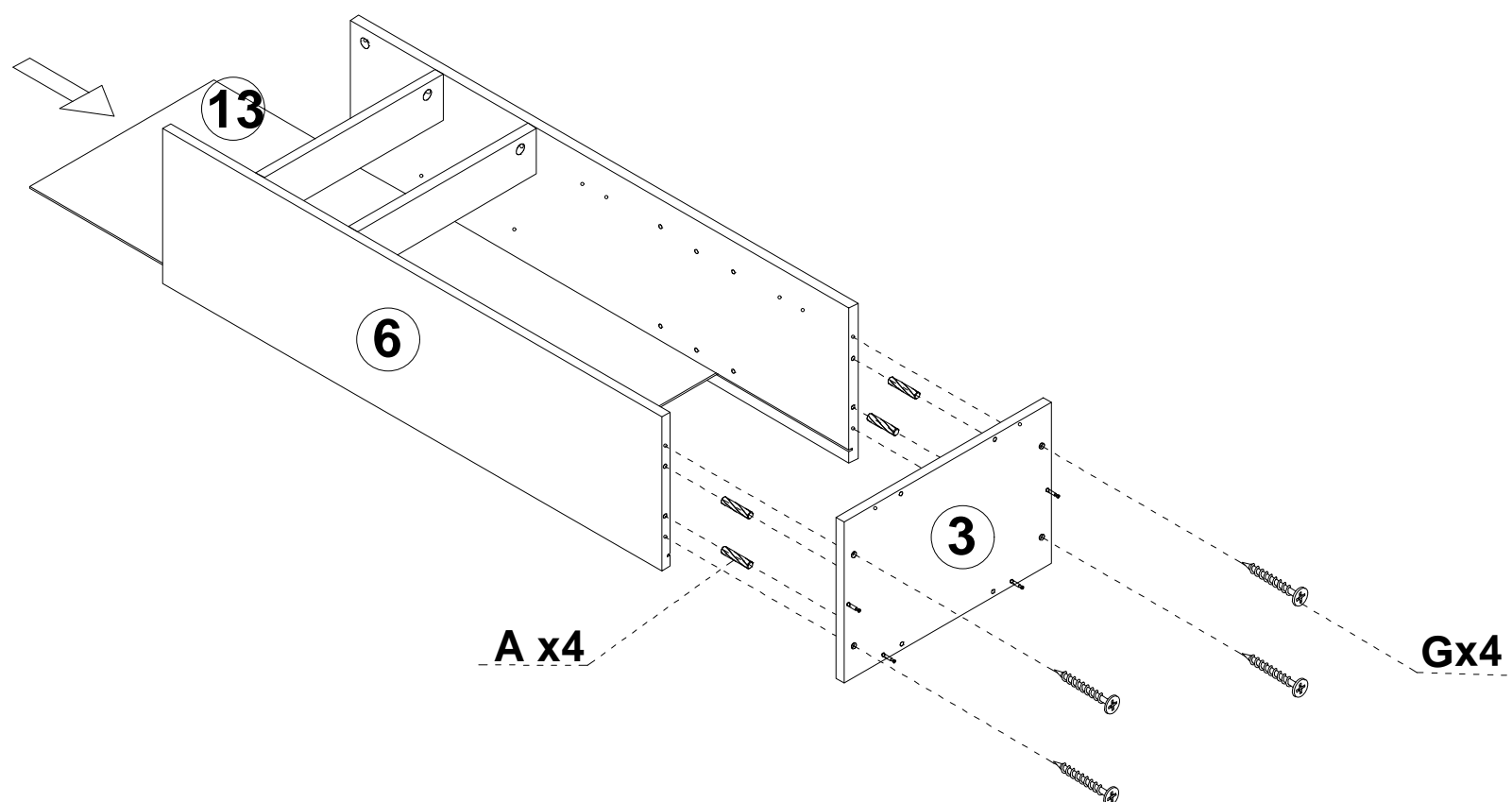




## step 5

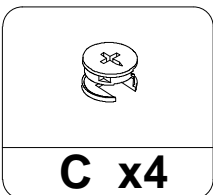
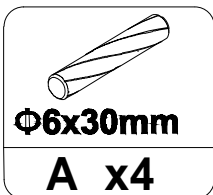
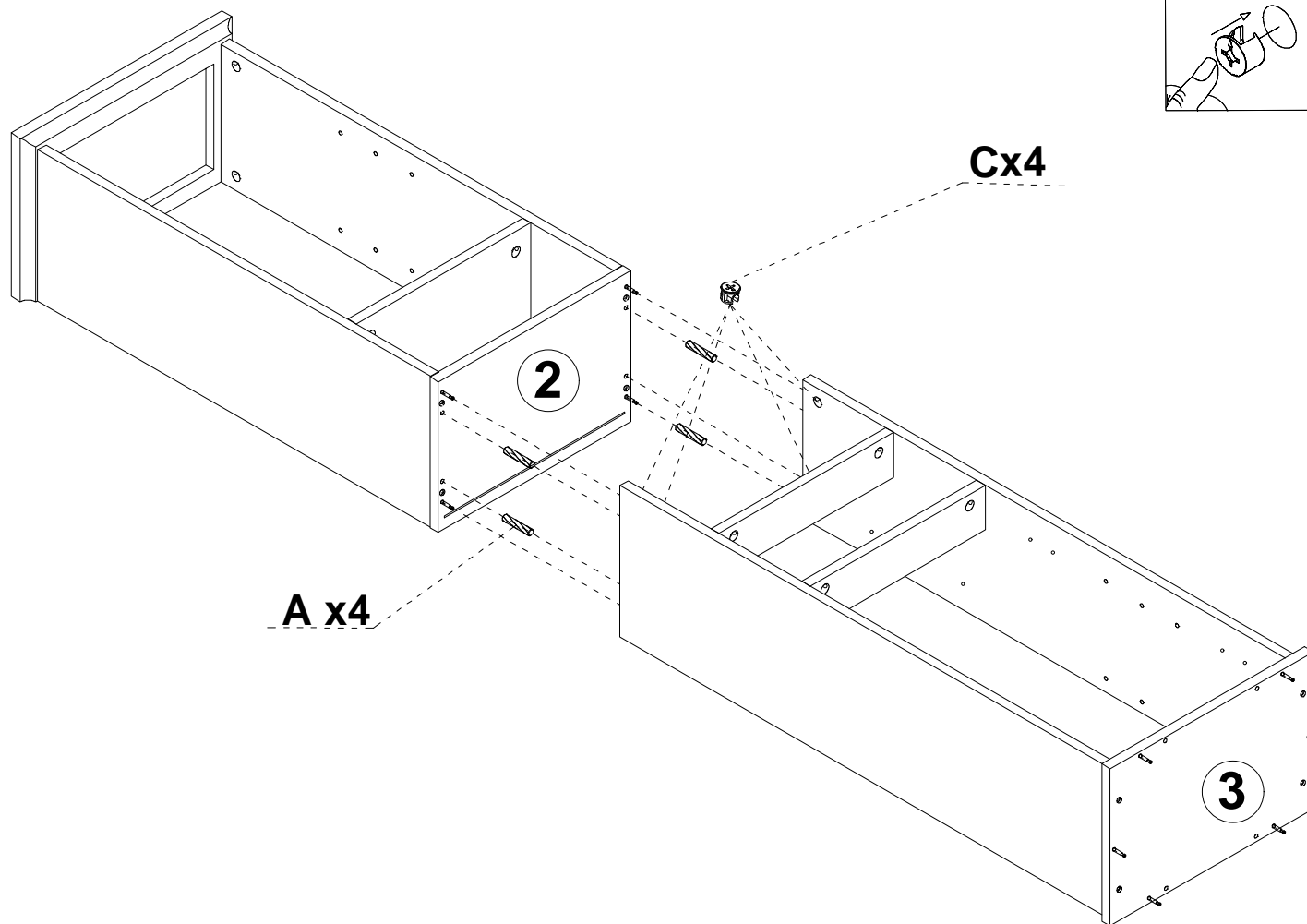


## step 6

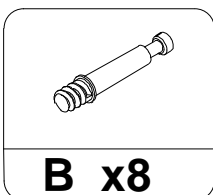
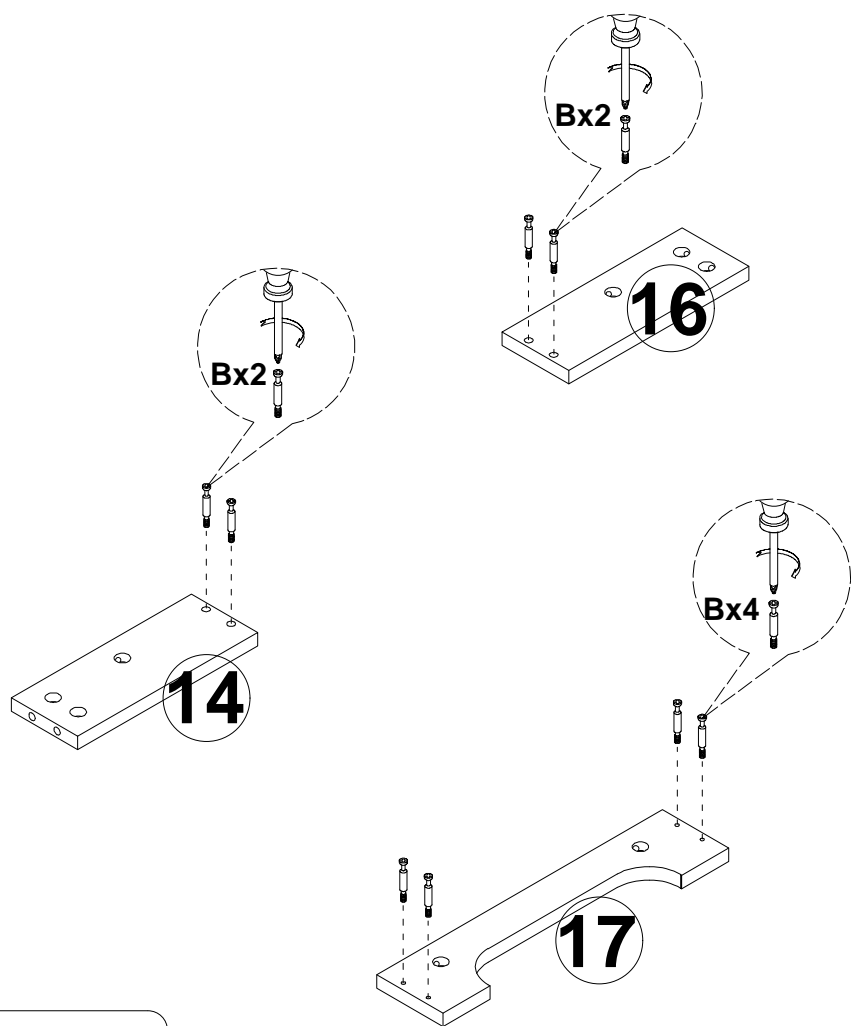




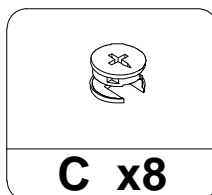
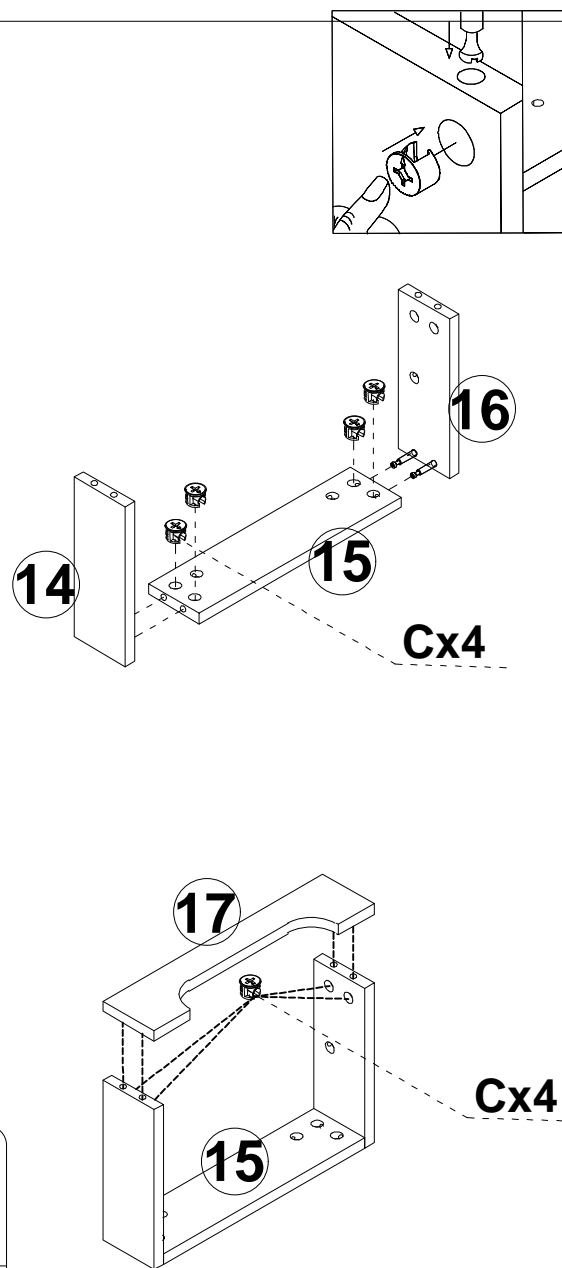
### step 7



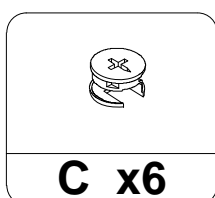
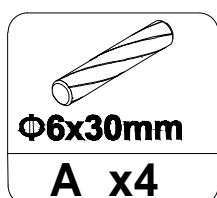
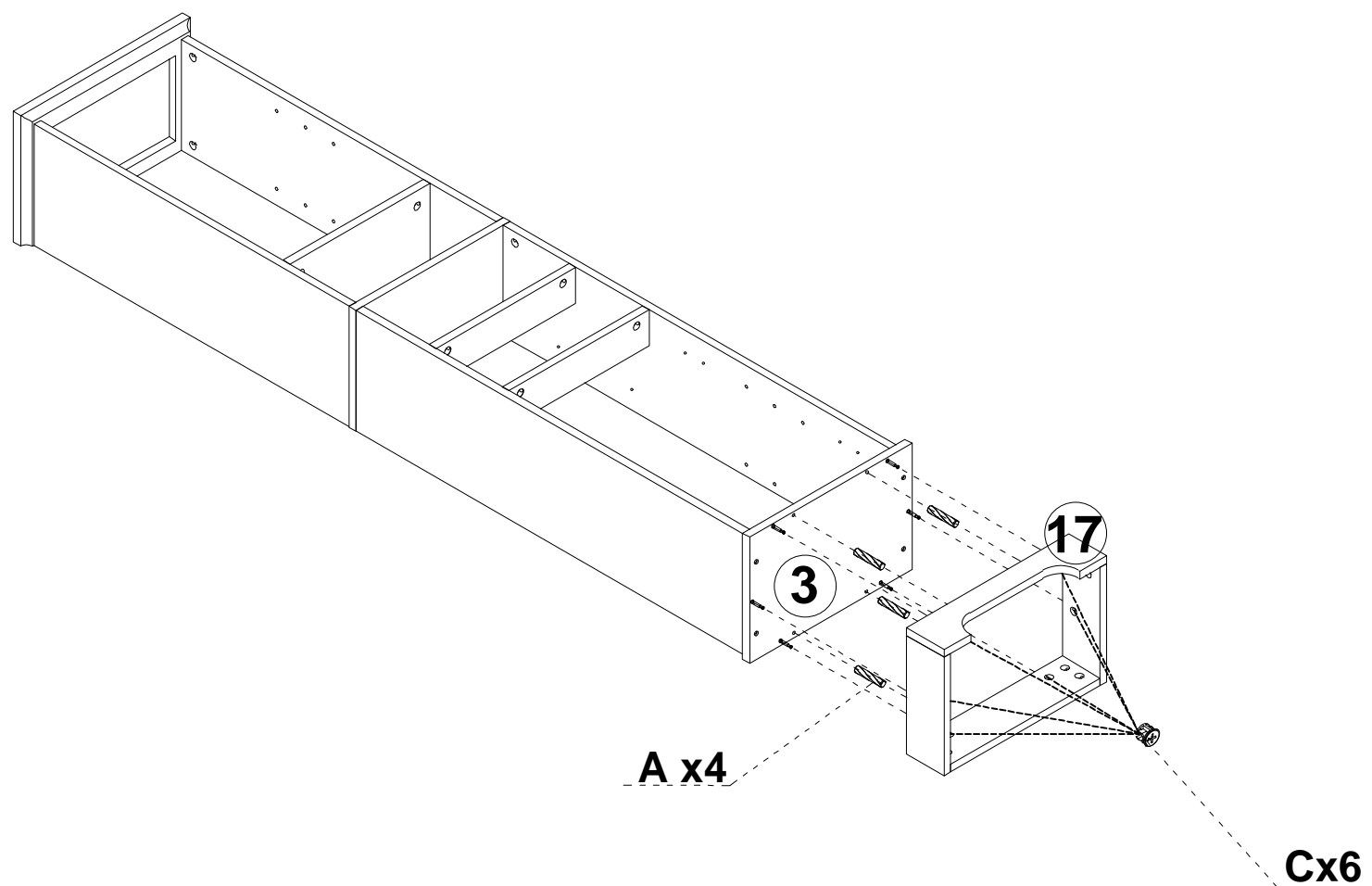
### step 8



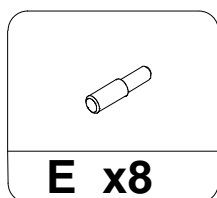
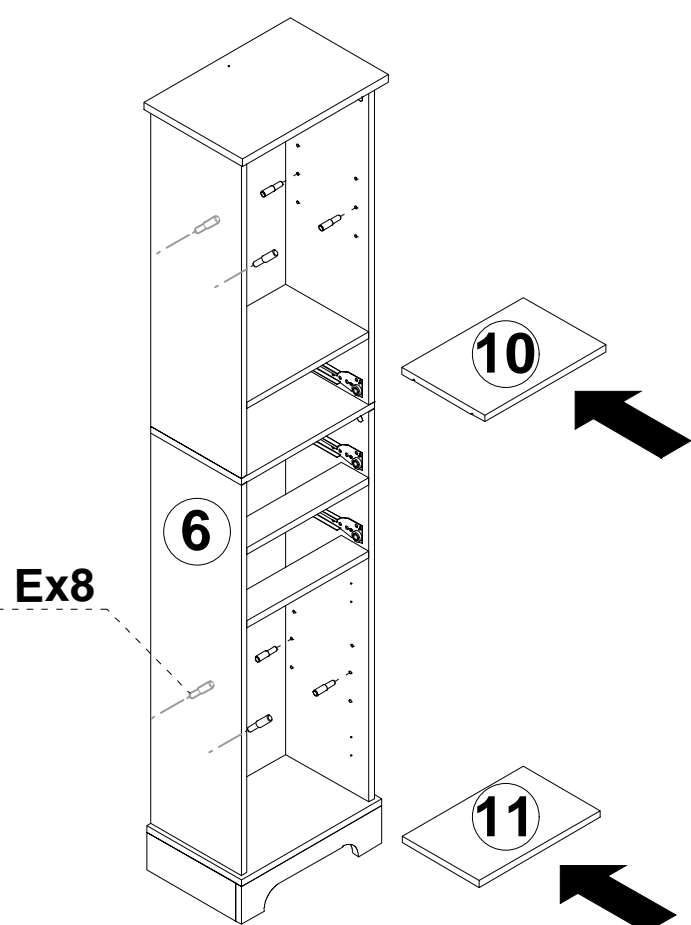
### step 9



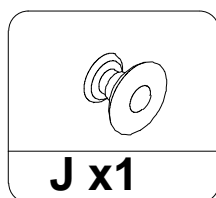
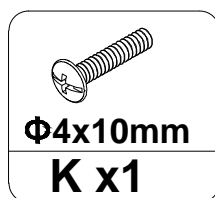
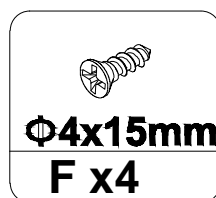
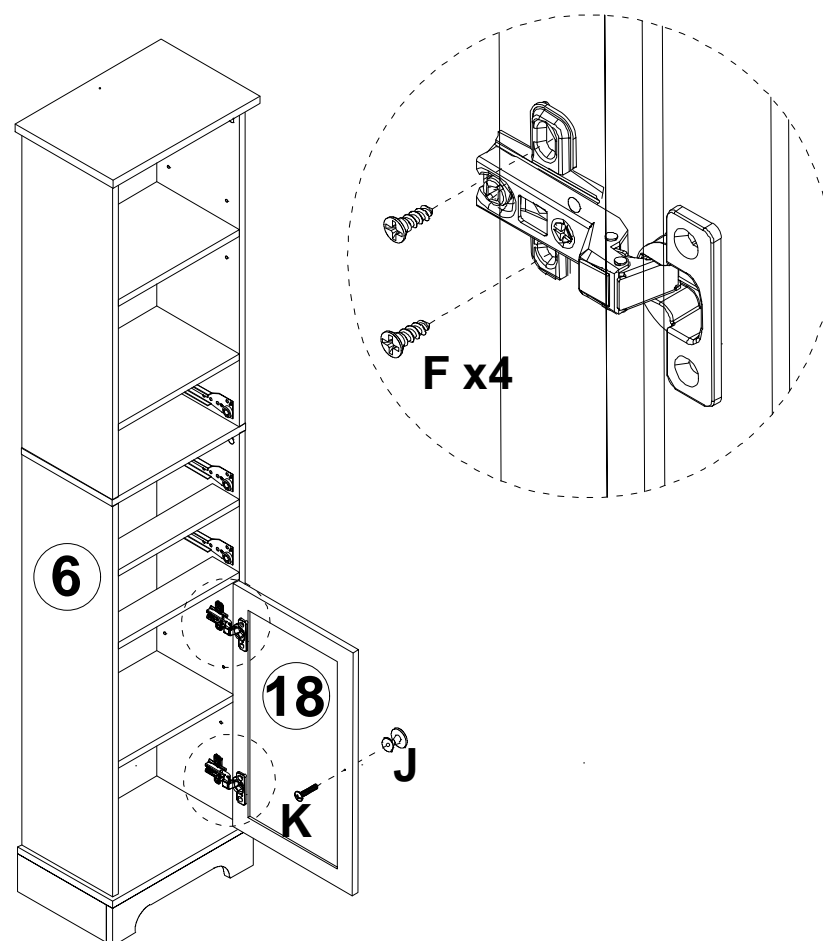
### step 10

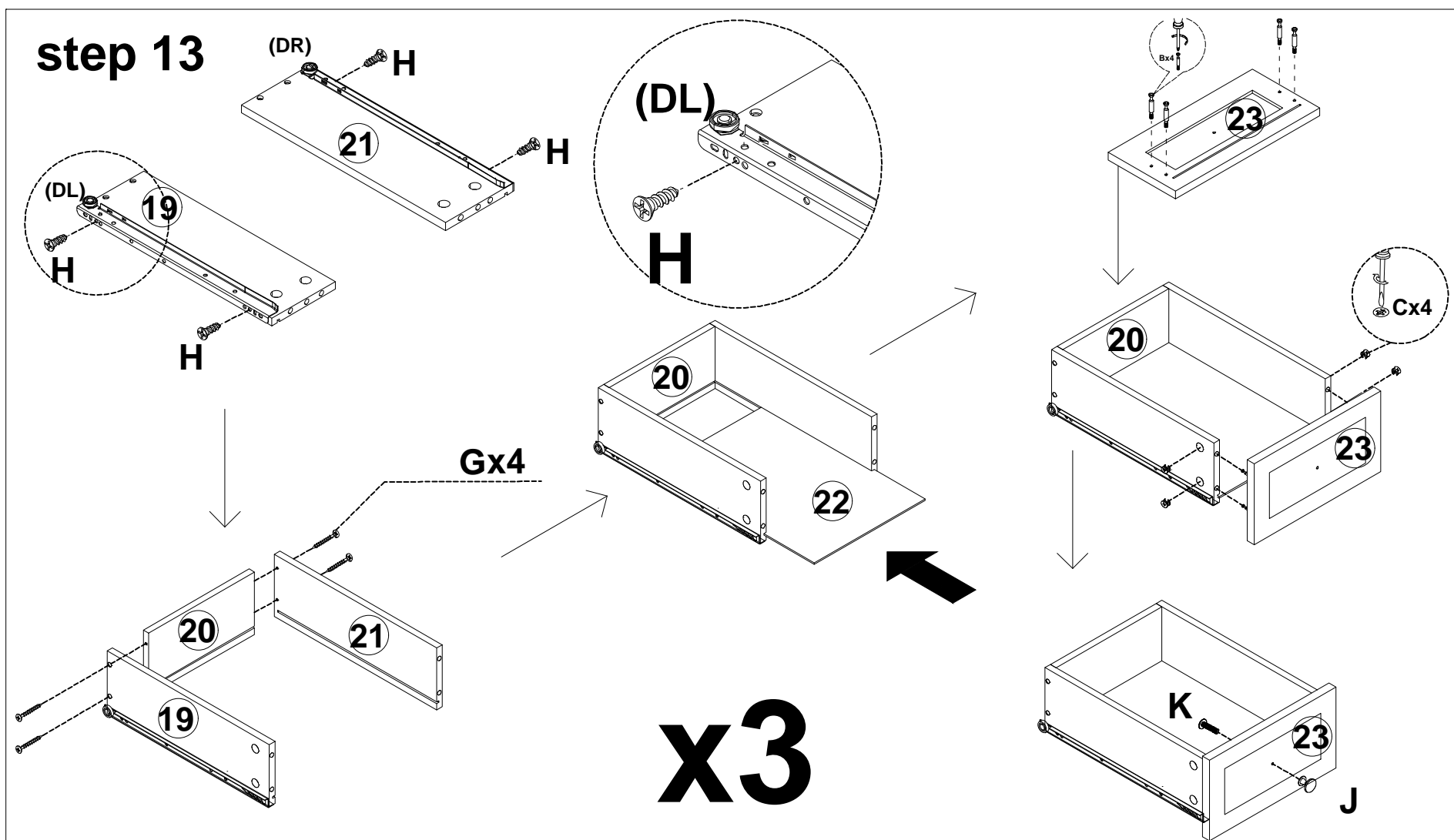


### step 11



### step 12





- |               |               |                           |                           |                          |              |               |               |
|---------------|---------------|---------------------------|---------------------------|--------------------------|--------------|---------------|---------------|
|               |               |                           |                           |                          |              |               |               |
| <b>B x 12</b> | <b>C x 12</b> | <b>Φ4x35mm<br/>G x 12</b> | <b>Φ3x12mm<br/>H x 12</b> | <b>Φ4x10mm<br/>K x 3</b> | <b>J x 3</b> | <b>(DL)x3</b> | <b>(DR)x3</b> |

