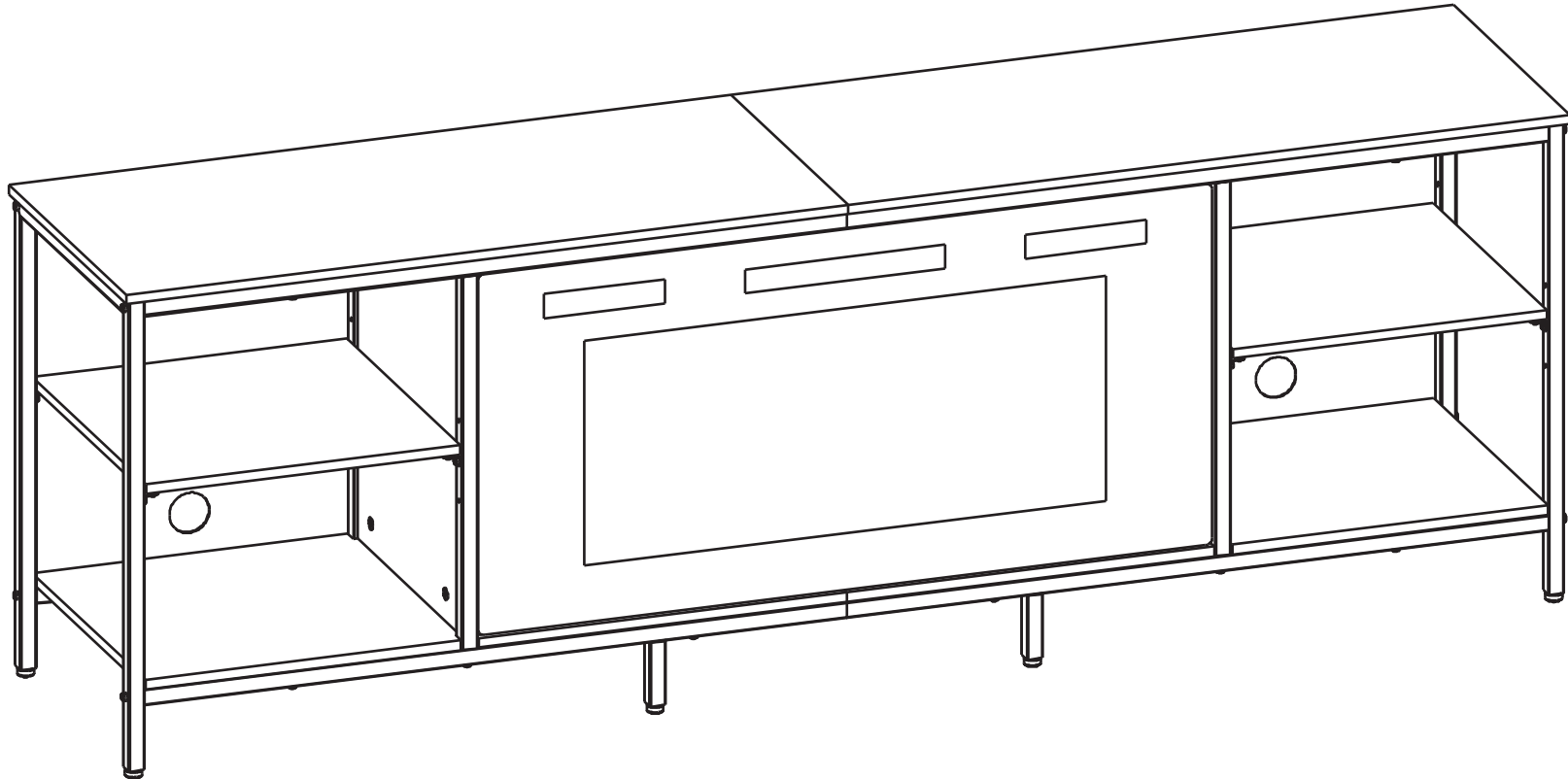


USE AND CARE GUIDE



IMPORTANT

Questions, problems, assembly help, missing parts?

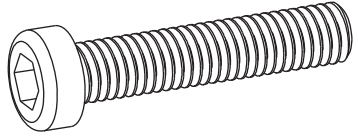
We will gladly help and ship your replacement parts free of charge.
If you have any question related to product please free to contact our customer

service mail:service@velayhome.com

V 1.0

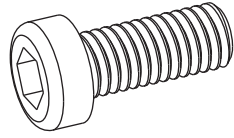
HARDWARE PART LIST

A



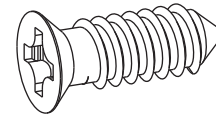
M6x30 X 36

B



M6x15 X 16

C



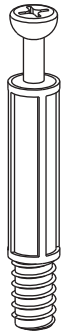
X 10

D



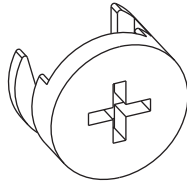
X 16

E



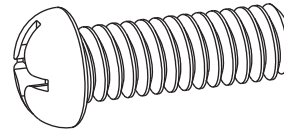
X 12

F



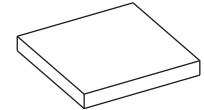
X 12

G



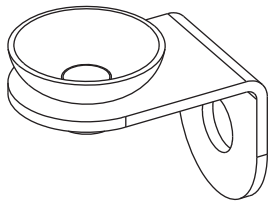
M5x12 X 24

H



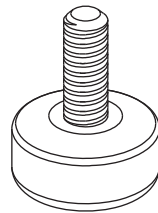
X 2

I



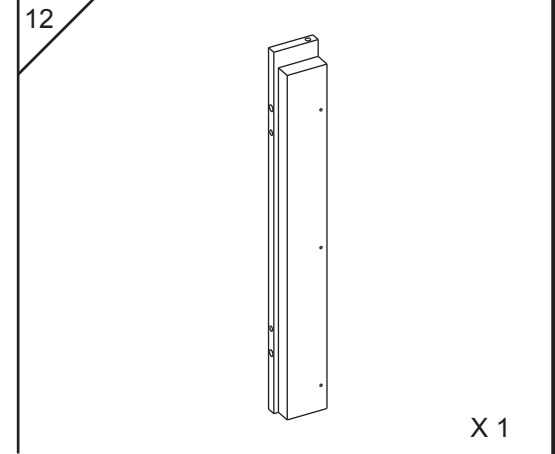
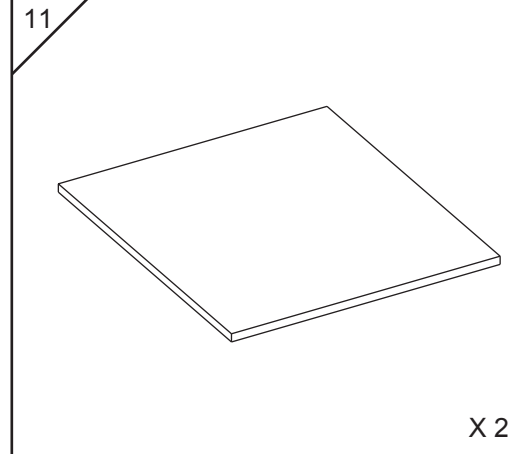
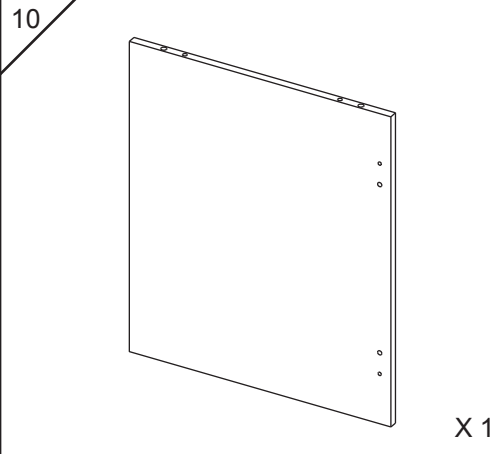
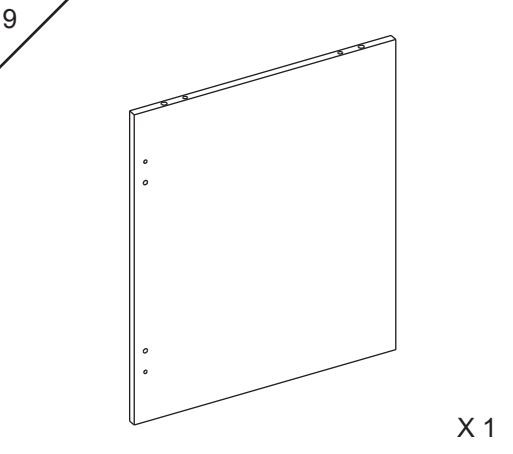
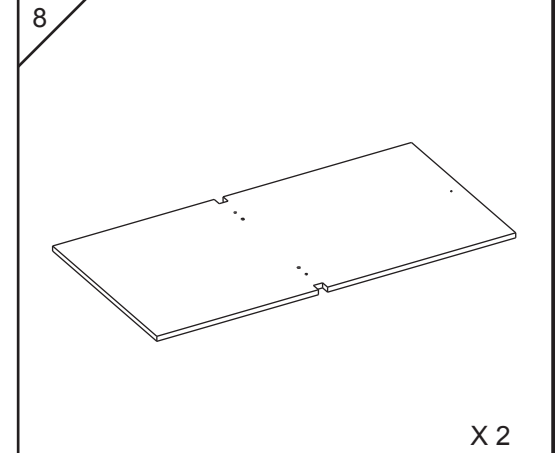
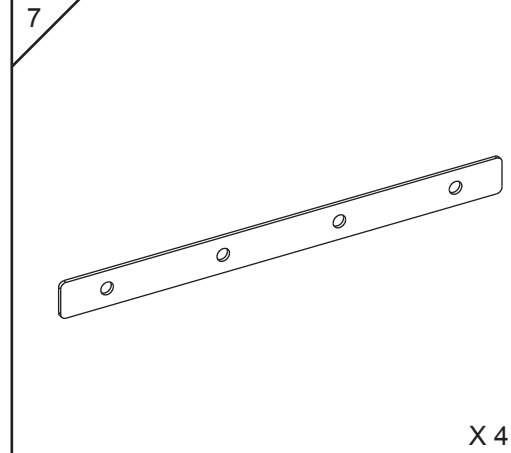
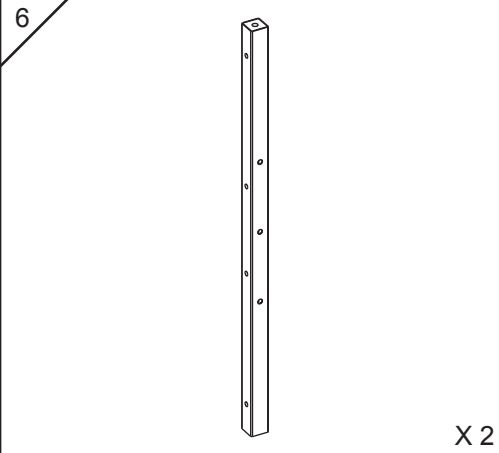
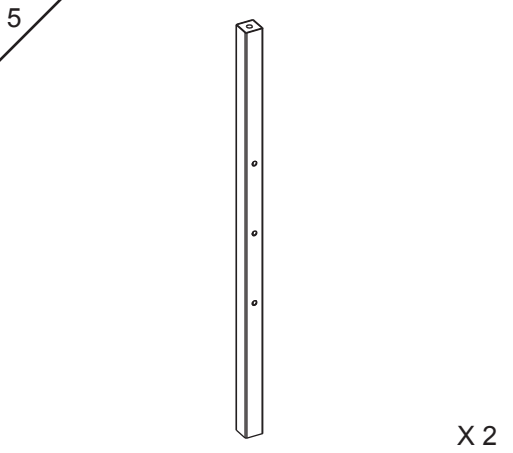
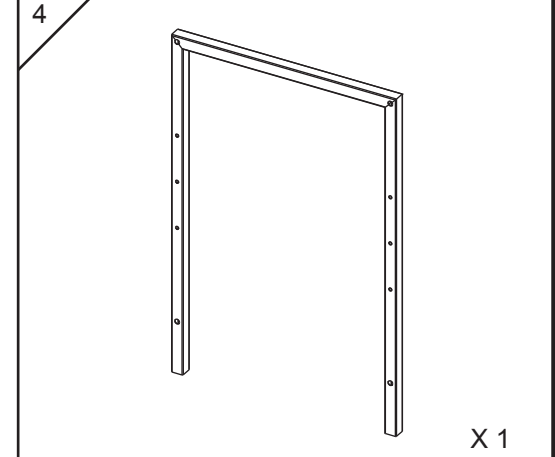
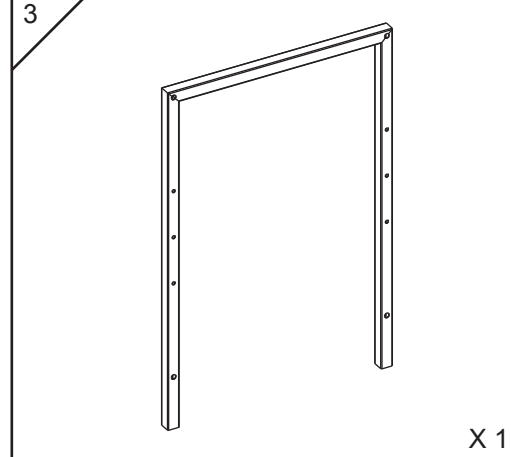
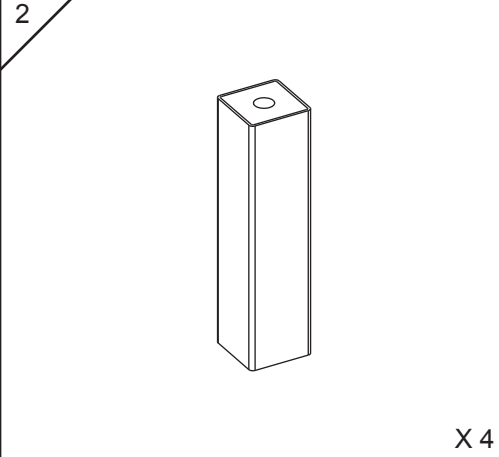
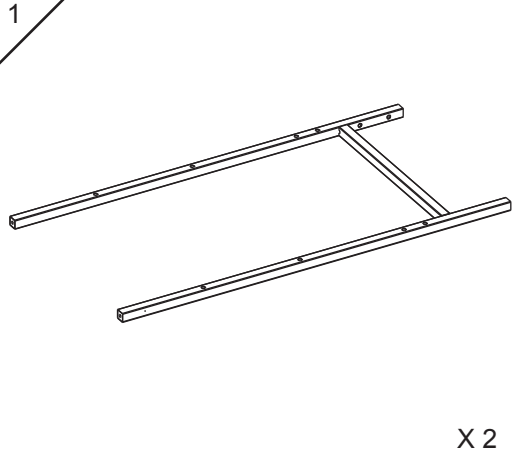
X 8

J



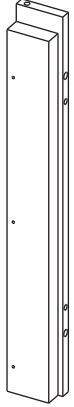
X 8

BOARD IDENTIFICATION



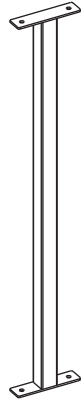
BOARD IDENTIFICATION

13



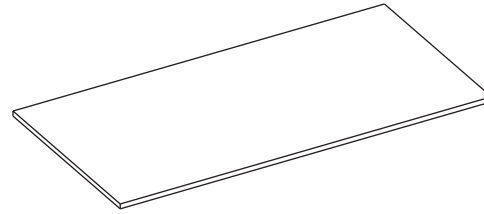
X 1

14



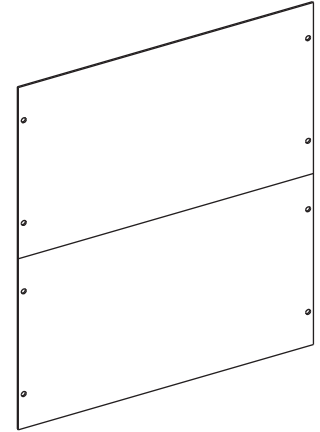
X 1

15



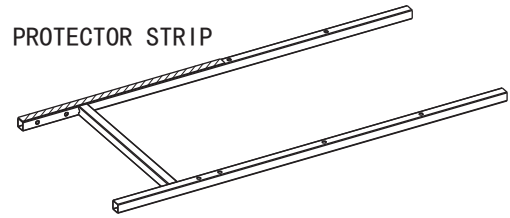
X 2

16



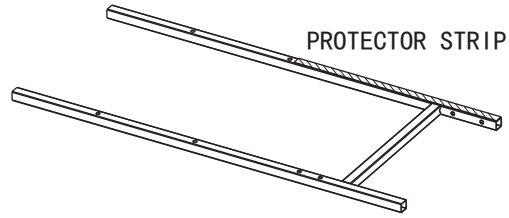
X 2

17



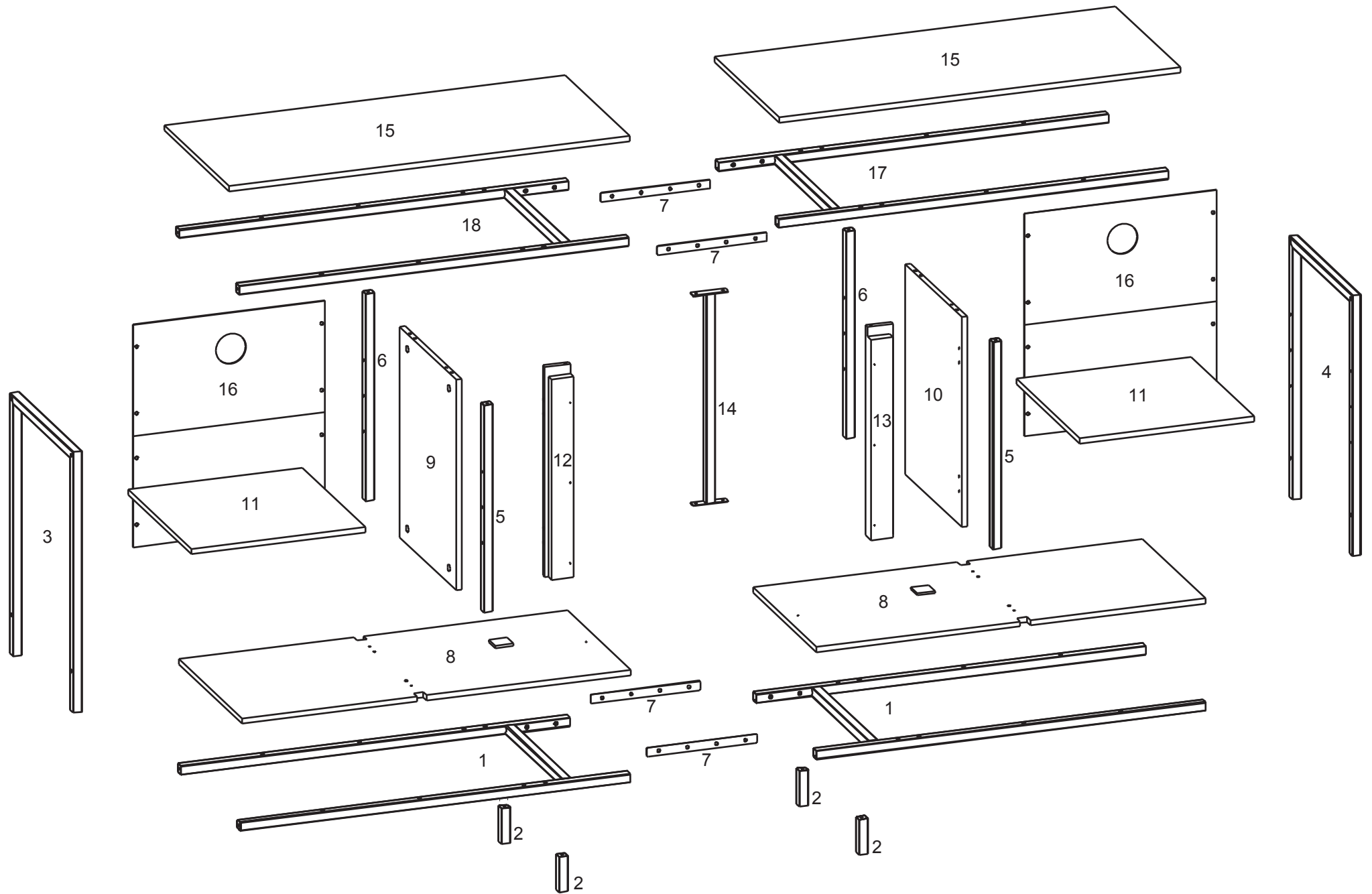
X 1

18



X 1

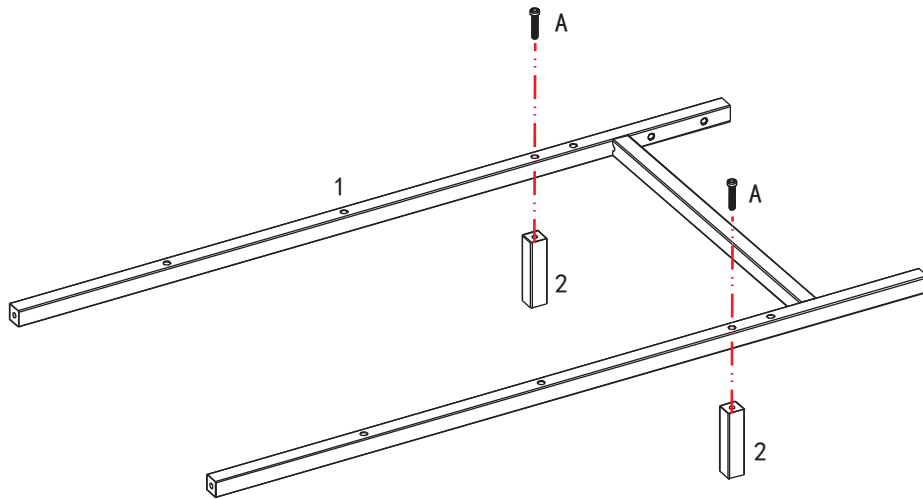
BOARD IDENTIFICATION



ASSEMBLY INSTRUCTIONS

STEP 1

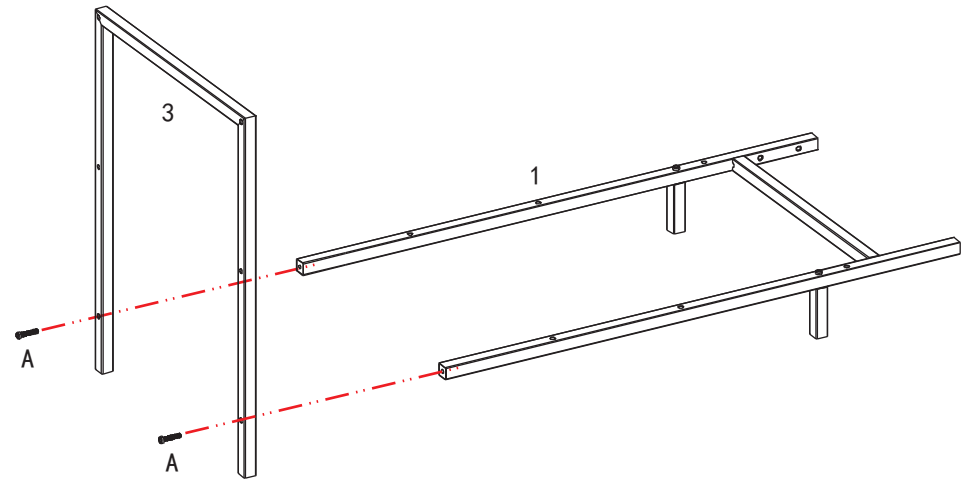
FASTEN PART (1) TO PART (2) WITH SCREW (A).



A		X 2
---	--	-----

STEP 2

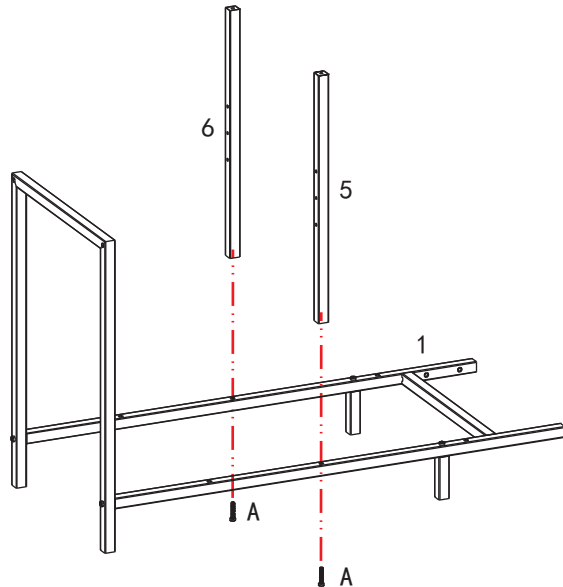
FASTEN PART (1) TO PART (3) WITH SCREW (A).



A		X 2
---	--	-----

STEP 3

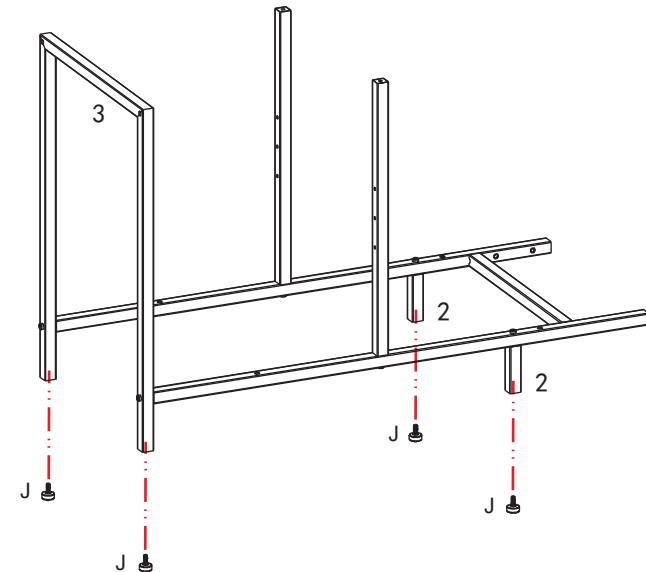
FASTEN PART (5) AND PART (6) TO PART (1) WITH SCREW (A).



A		X 2
---	--	-----

STEP 4

SCREW THE ADJUSTABLE FOOT (J) INTO PART (2) AND PART (3).

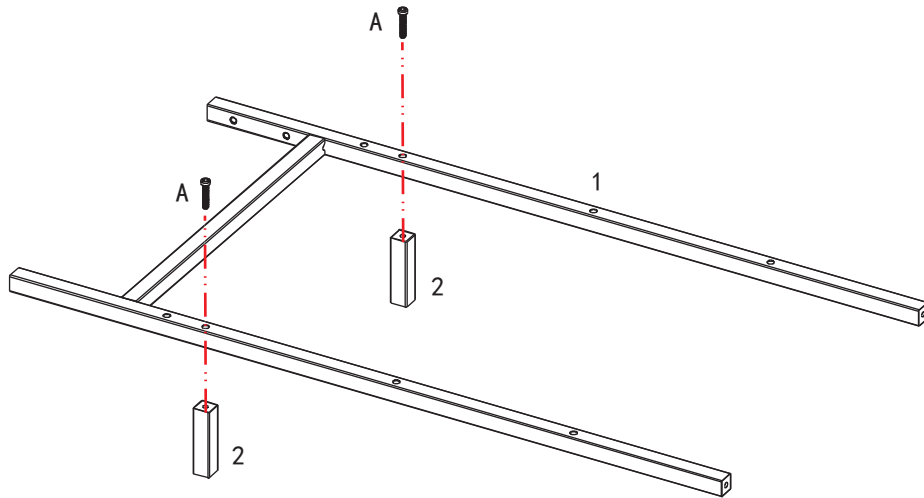


J		X 4
---	--	-----

ASSEMBLY INSTRUCTIONS

STEP 5

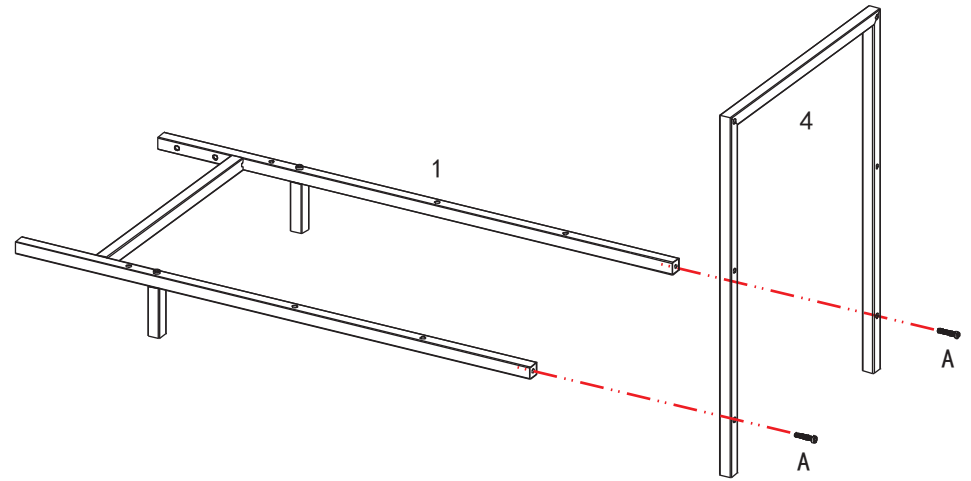
FASTEN PART (1) TO PART (2) WITH SCREW (A).



A		X 2
---	--	-----

STEP 6

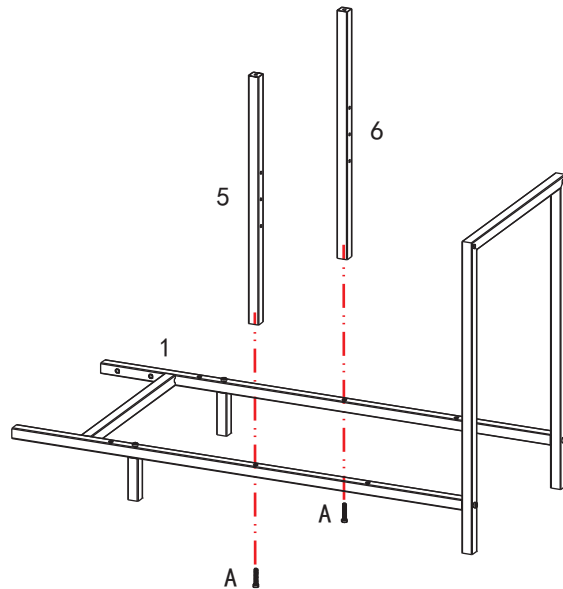
FASTEN PART (1) TO PART (4) WITH SCREW (A).



A		X 2
---	--	-----

STEP 7

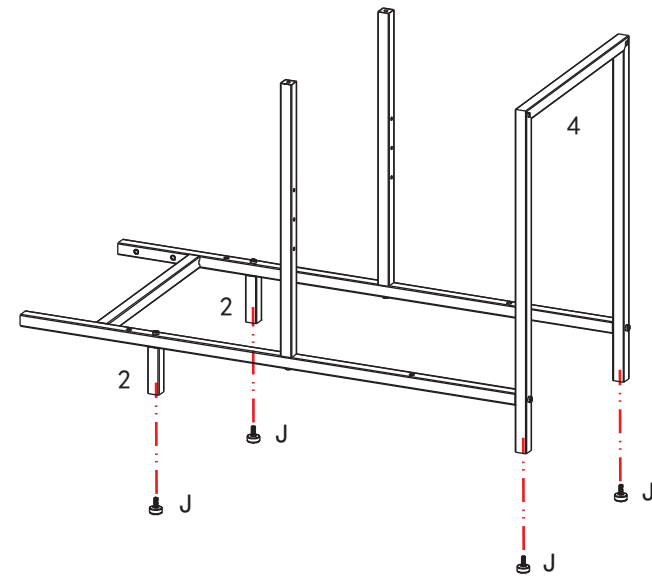
FASTEN PART (5) AND PART (6) TO PART (1) WITH SCREW (A).



A		X 2
---	--	-----

STEP 8

SCREW THE ADJUSTABLE FOOT (J) INTO PART (2) AND PART (4).

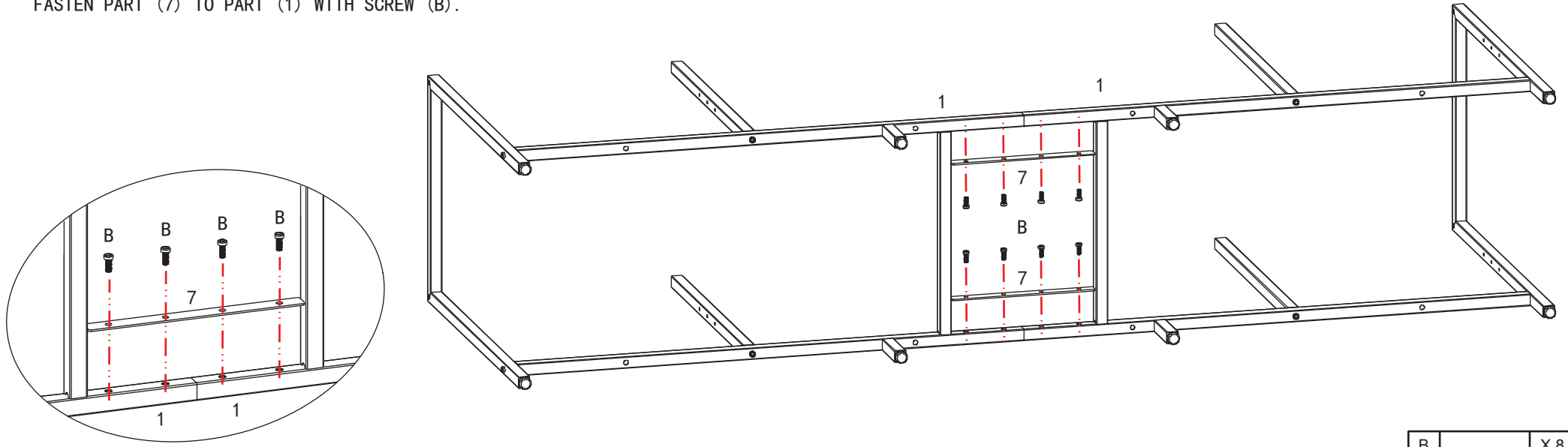


J		X 4
---	--	-----

ASSEMBLY INSTRUCTIONS

STEP 9

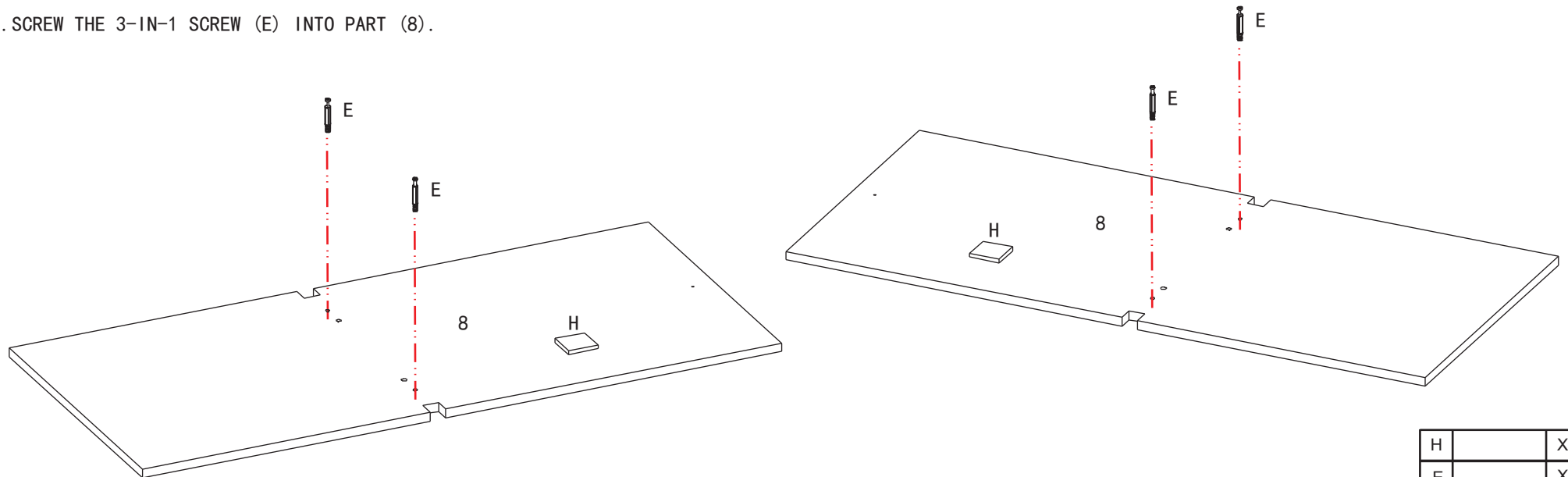
FASTEN PART (7) TO PART (1) WITH SCREW (B).



B		X 8
---	--	-----

STEP 10

1. SCREW THE 3-IN-1 SCREW (E) INTO PART (8).

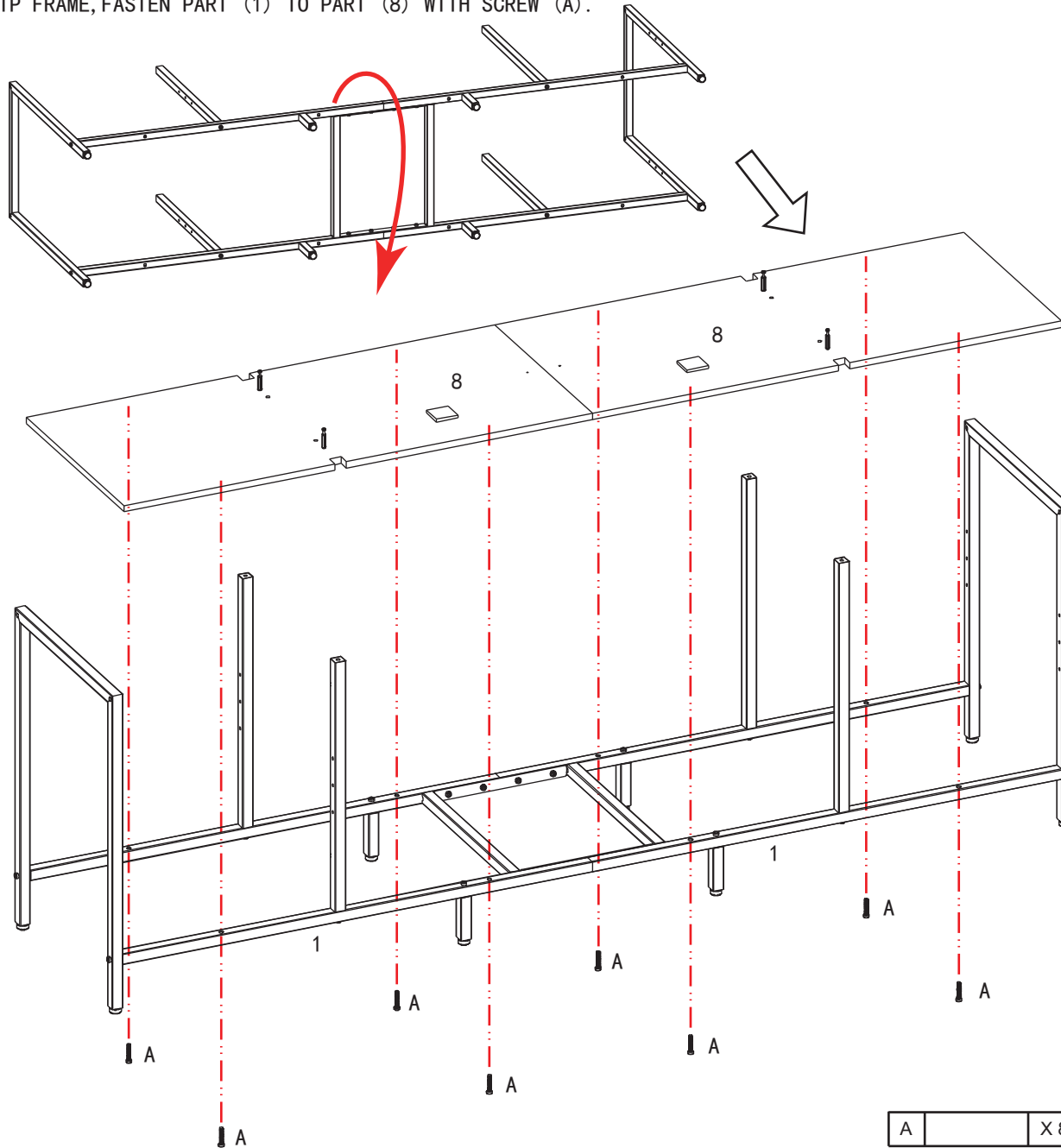


H		X 2
E		X 4

ASSEMBLY INSTRUCTIONS

STEP 11

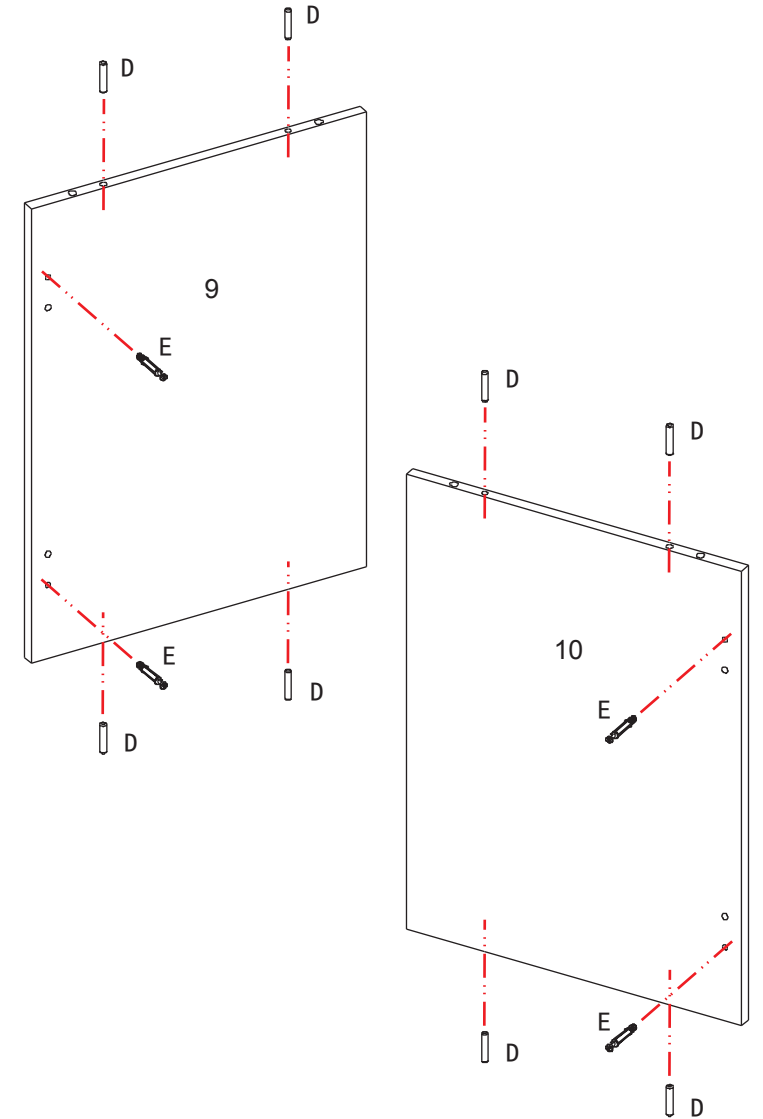
FLIP FRAME, FASTEN PART (1) TO PART (8) WITH SCREW (A).



A		X 8
---	--	-----

STEP 12

1. INSERT WOOD PIN (D) INTO PART (9) AND PART (10).
2. SCREW THE 3-IN-1 SCREW (E) INTO PART (9) AND PART (10).

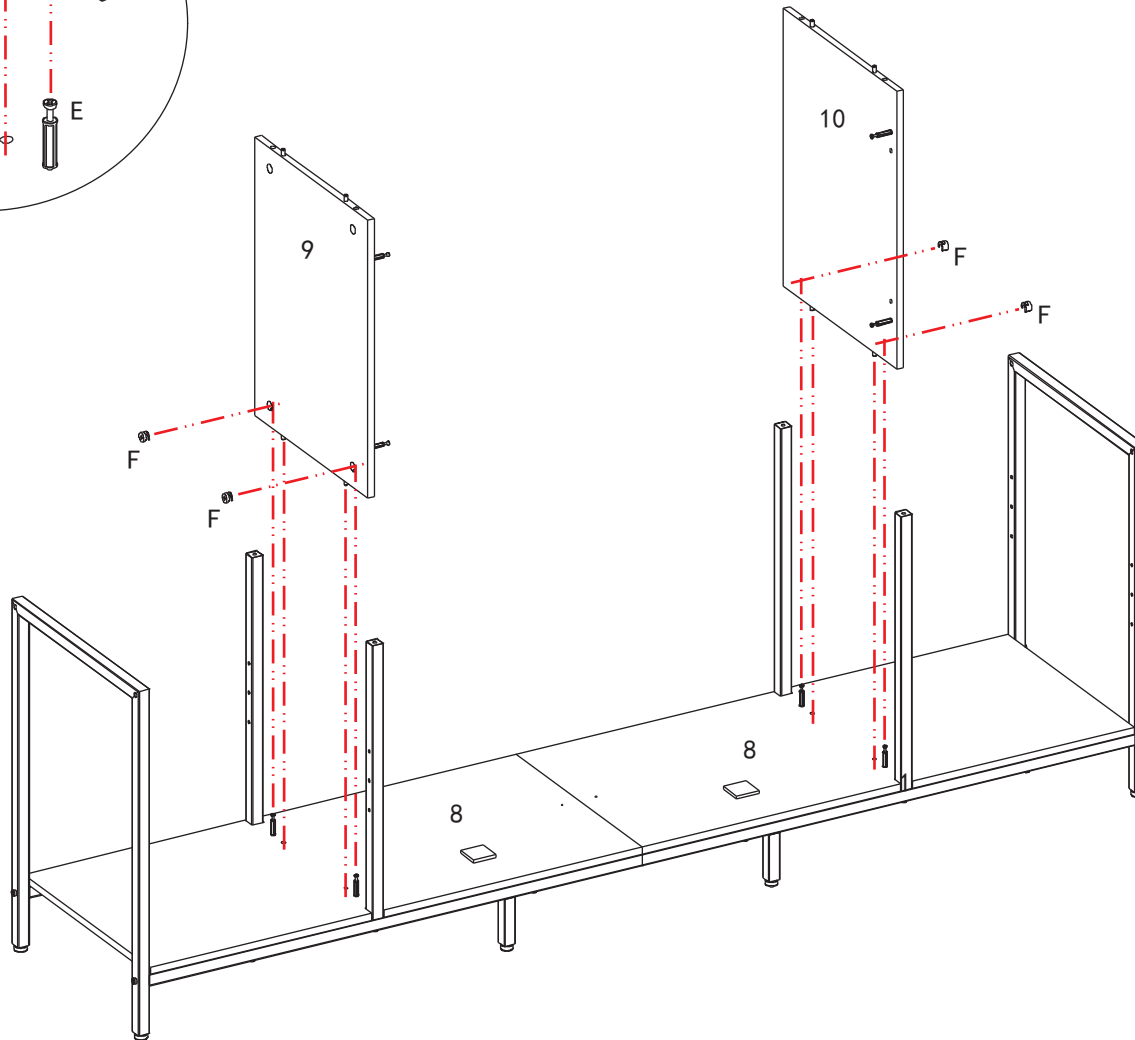
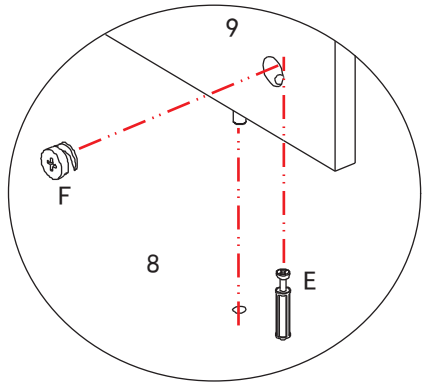


D		X 8
E		X 4

ASSEMBLY INSTRUCTIONS

STEP 13

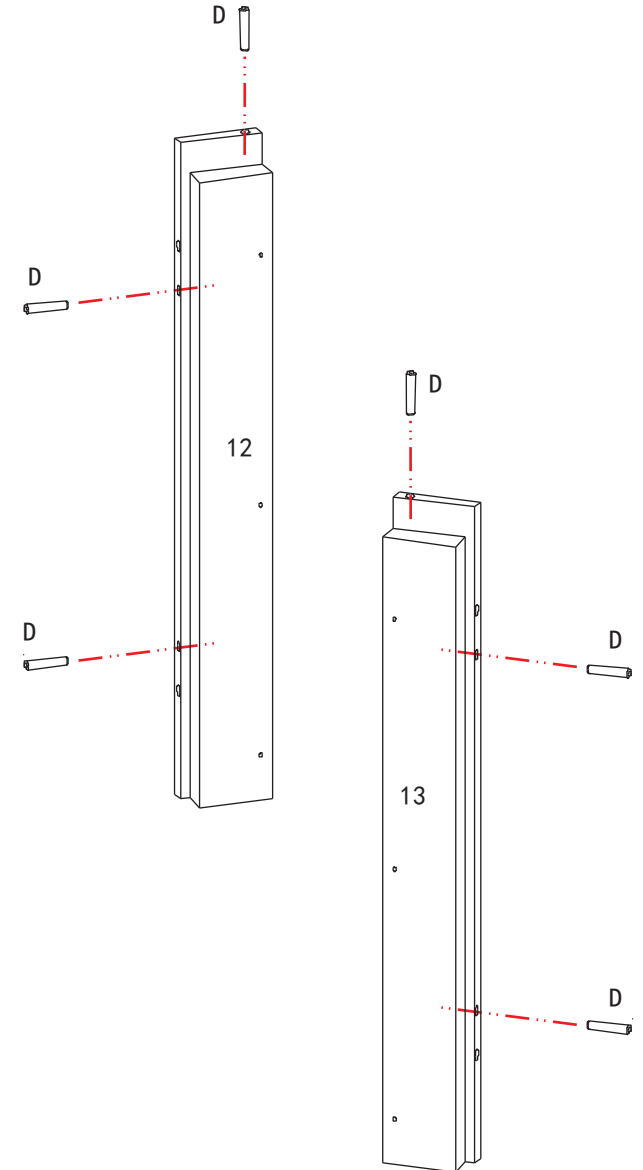
FASTEN PART (9) AND PART (10) TO PART (8) WITH PART (F).



F		X 4
---	--	-----

STEP 14

PUT WOOD PIN (D) INTO PART (12) AND PART (13).

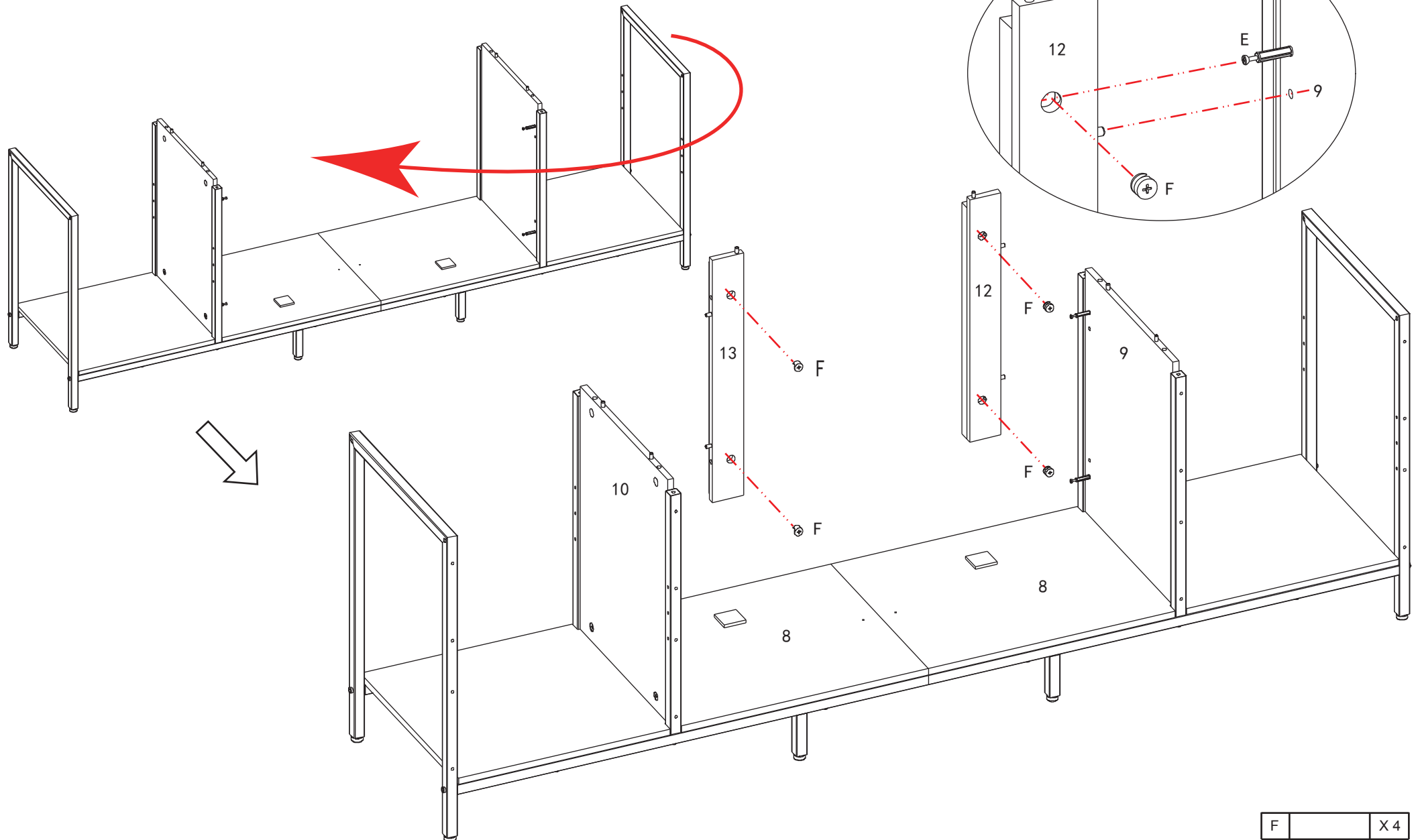


D		X 6
---	--	-----

ASSEMBLY INSTRUCTIONS

STEP 15

1. FLIP LEFT AND RIGHT TO MOVE THE FRAME.
2. FASTEN PART (9) TO PART (12) WITH PART (F), FASTEN PART (13) TO PART (10) WITH PART (F).

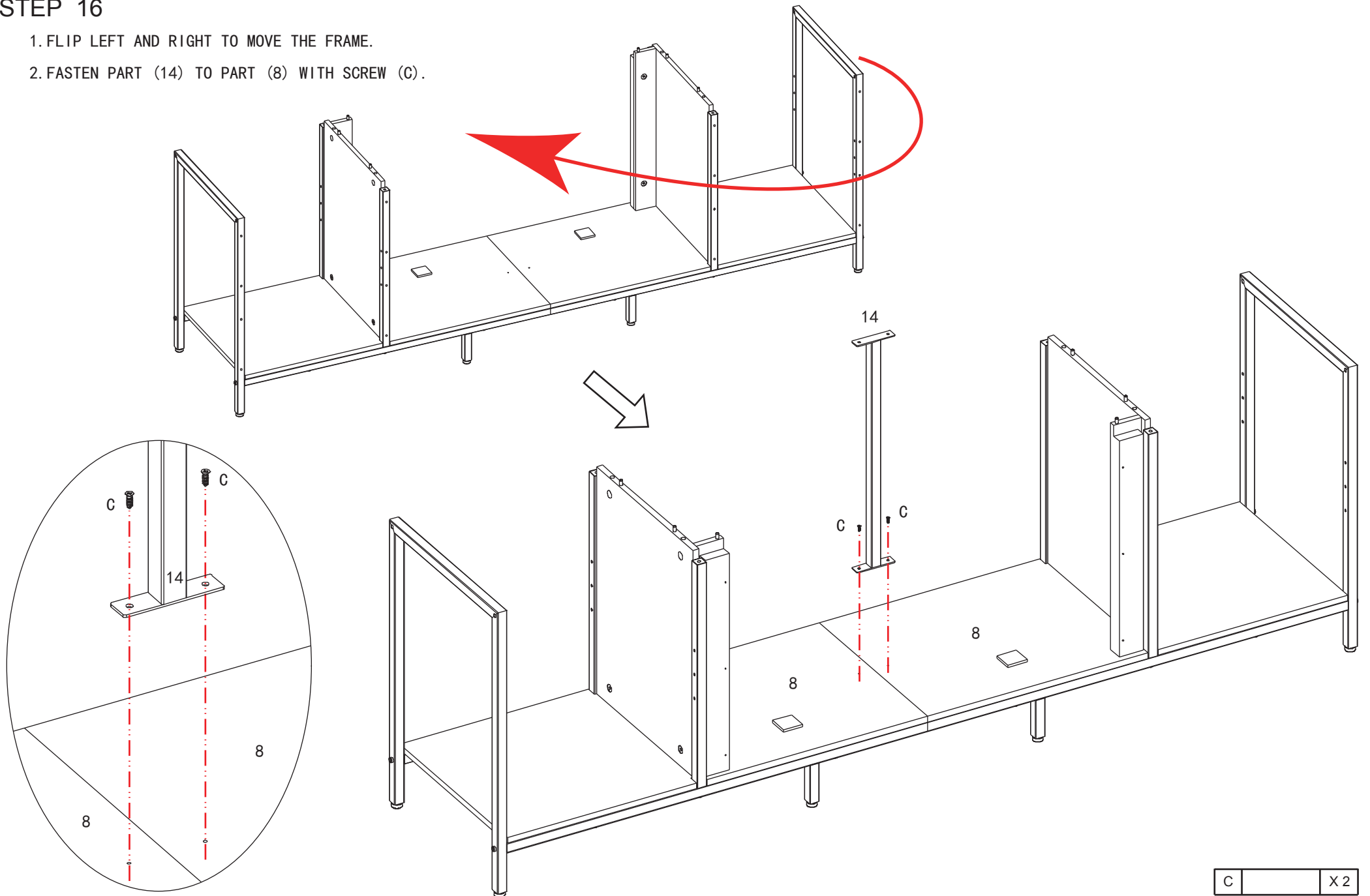


F		X4
---	--	----

ASSEMBLY INSTRUCTIONS

STEP 16

1. FLIP LEFT AND RIGHT TO MOVE THE FRAME.
2. FASTEN PART (14) TO PART (8) WITH SCREW (C).

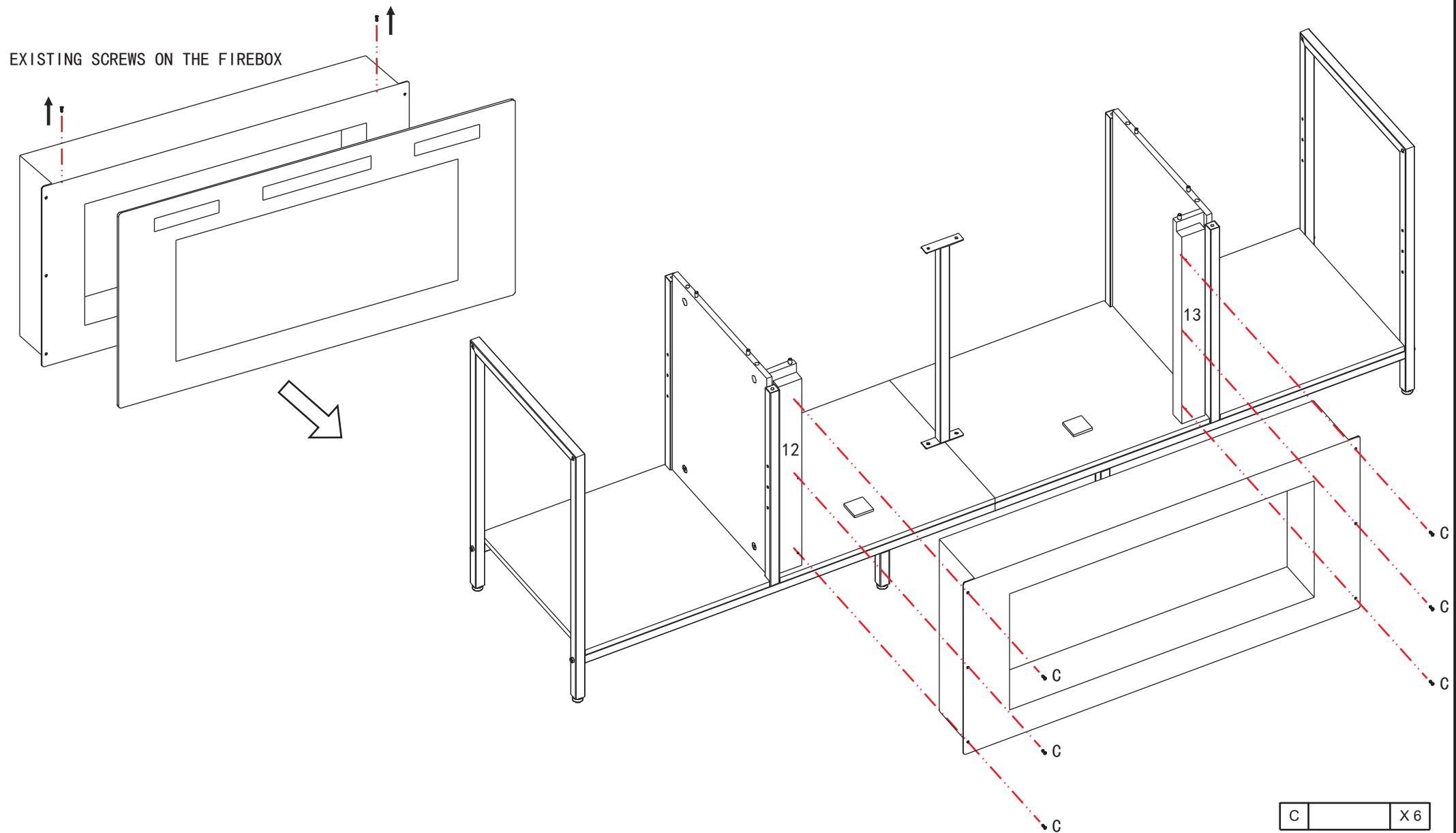


C		X 2
---	--	-----

ASSEMBLY INSTRUCTIONS

STEP 17

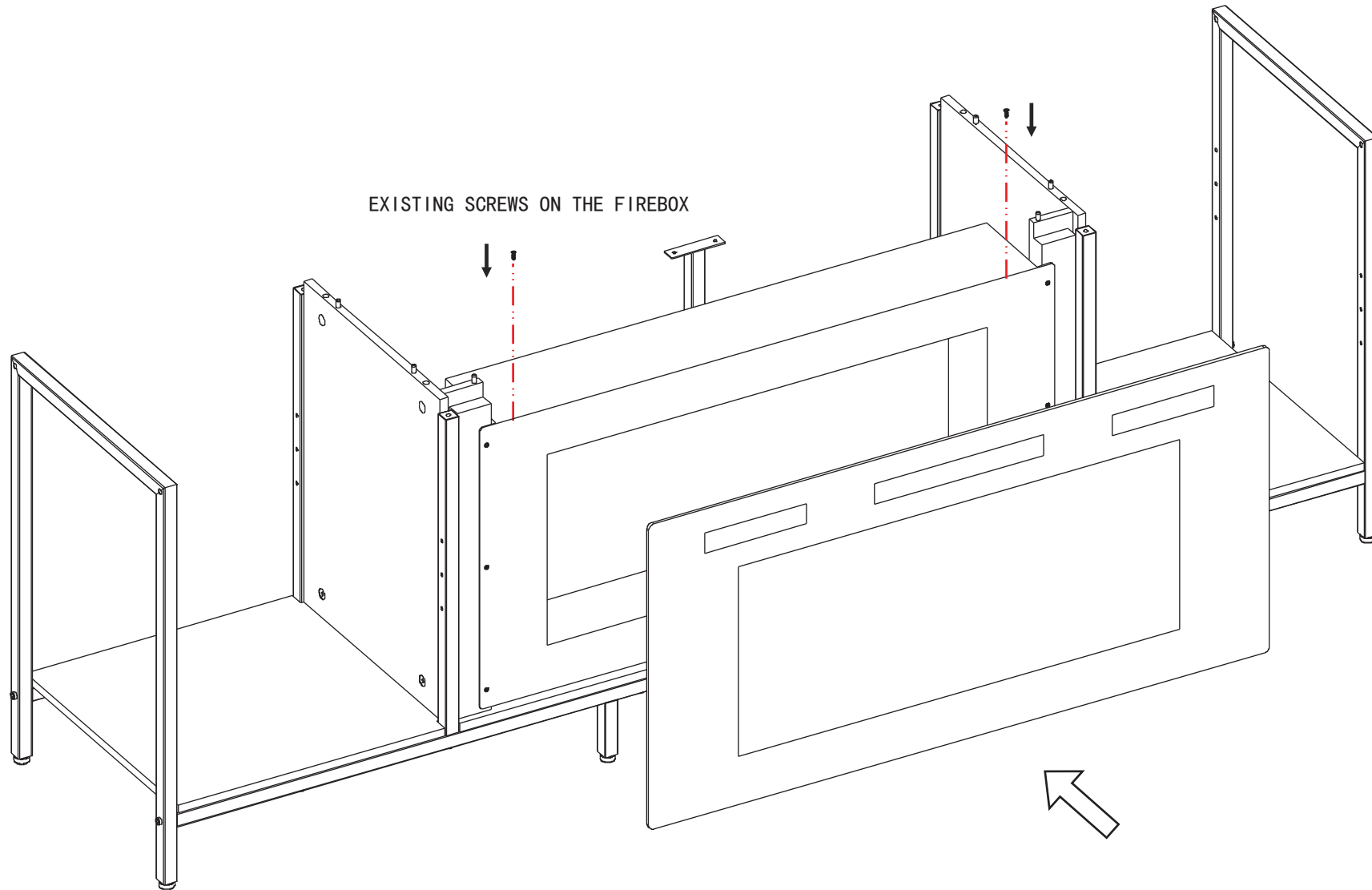
1. LOOSEN THE SCREWS ON THE FIRE BOX AND PUT THE FIRE GLASS IN A SAFE PLACE.
2. ATTACH THE FIREPLACE FRAME TO PART (12) AND PART (13) WITH SCREW (C).



ASSEMBLY INSTRUCTIONS

STEP 18

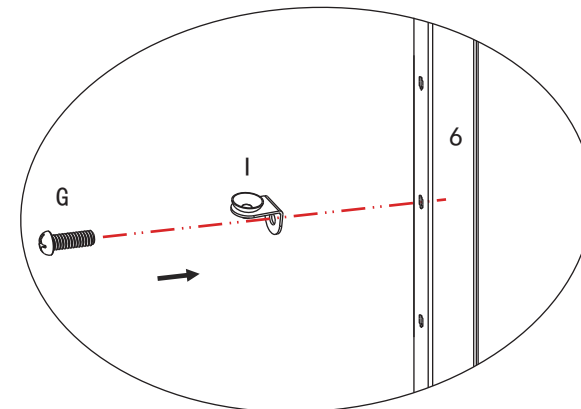
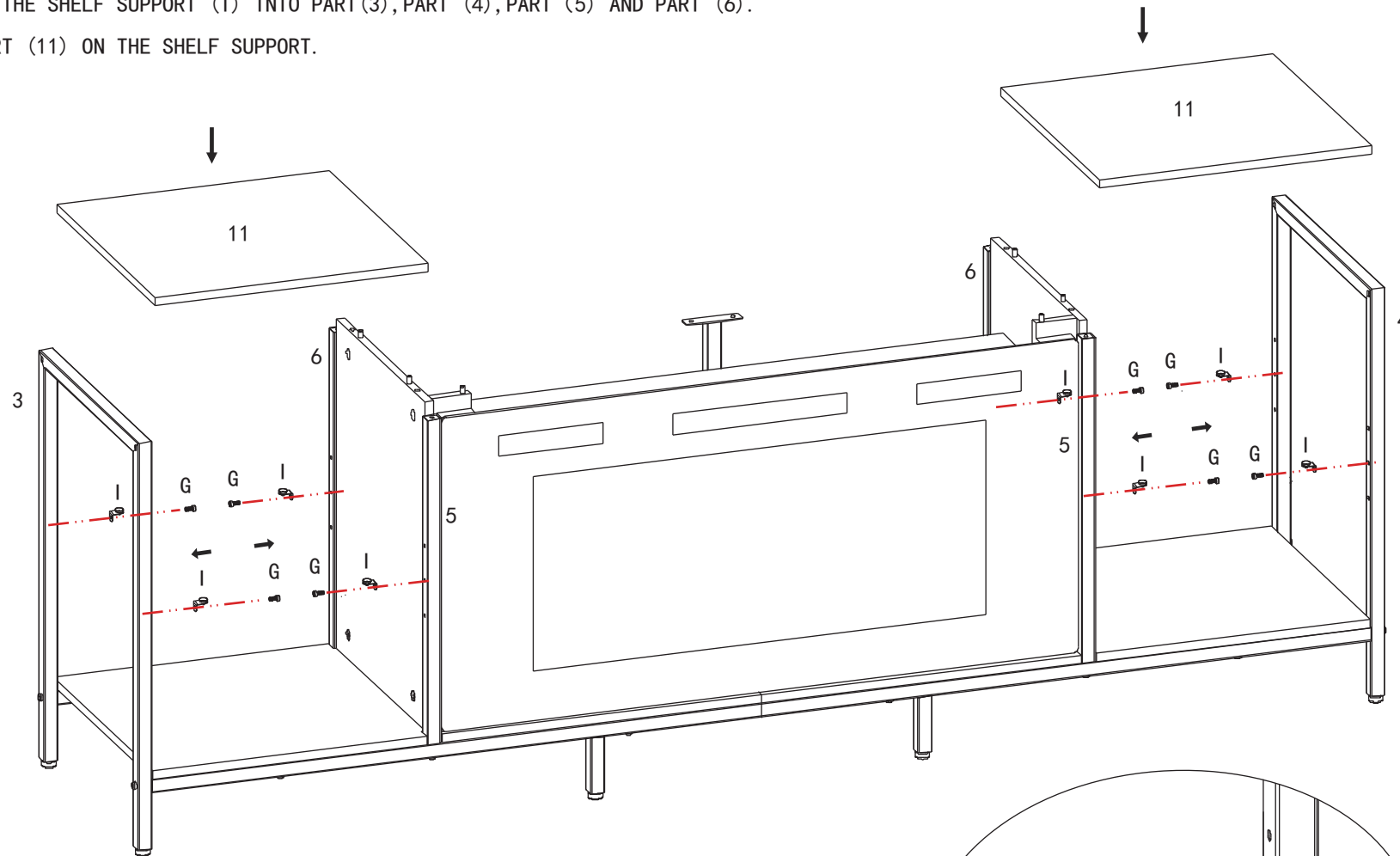
LOCK THE GLASS TO THE FIREBOX WITH 2 LOOSE SCREWS.



ASSEMBLY INSTRUCTIONS

STEP 19

1. INSERT THE SHELF SUPPORT (I) INTO PART (3), PART (4), PART (5) AND PART (6).
2. PUT PART (11) ON THE SHELF SUPPORT.

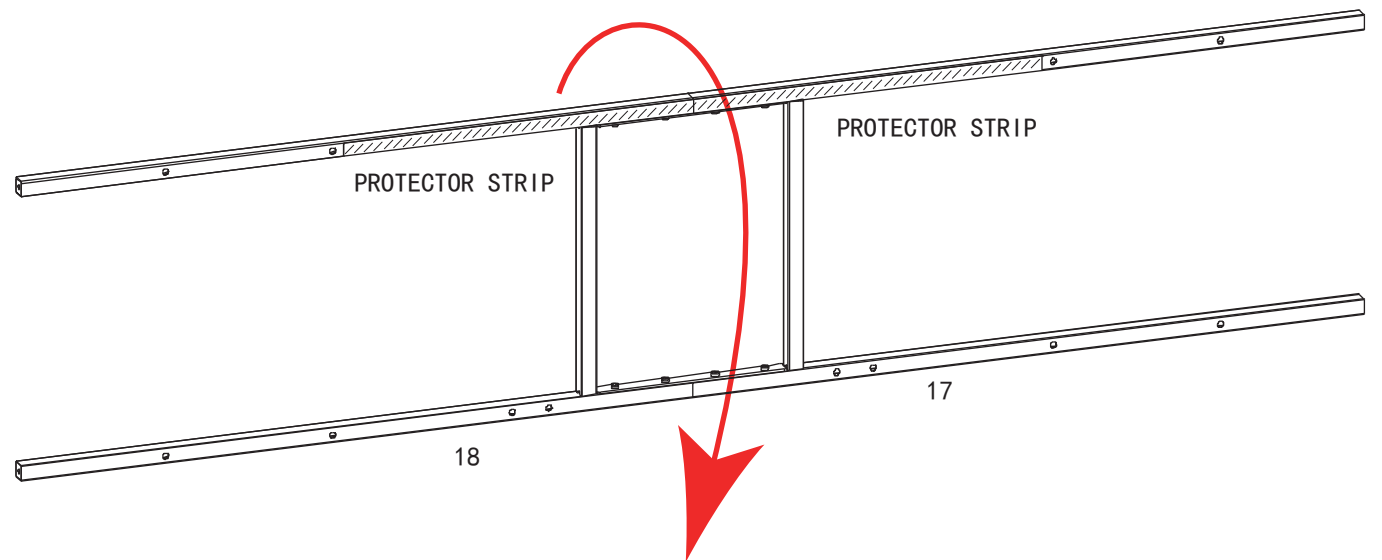
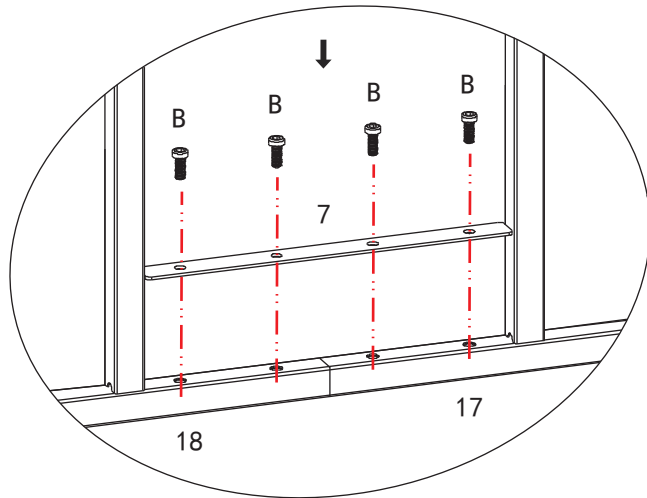
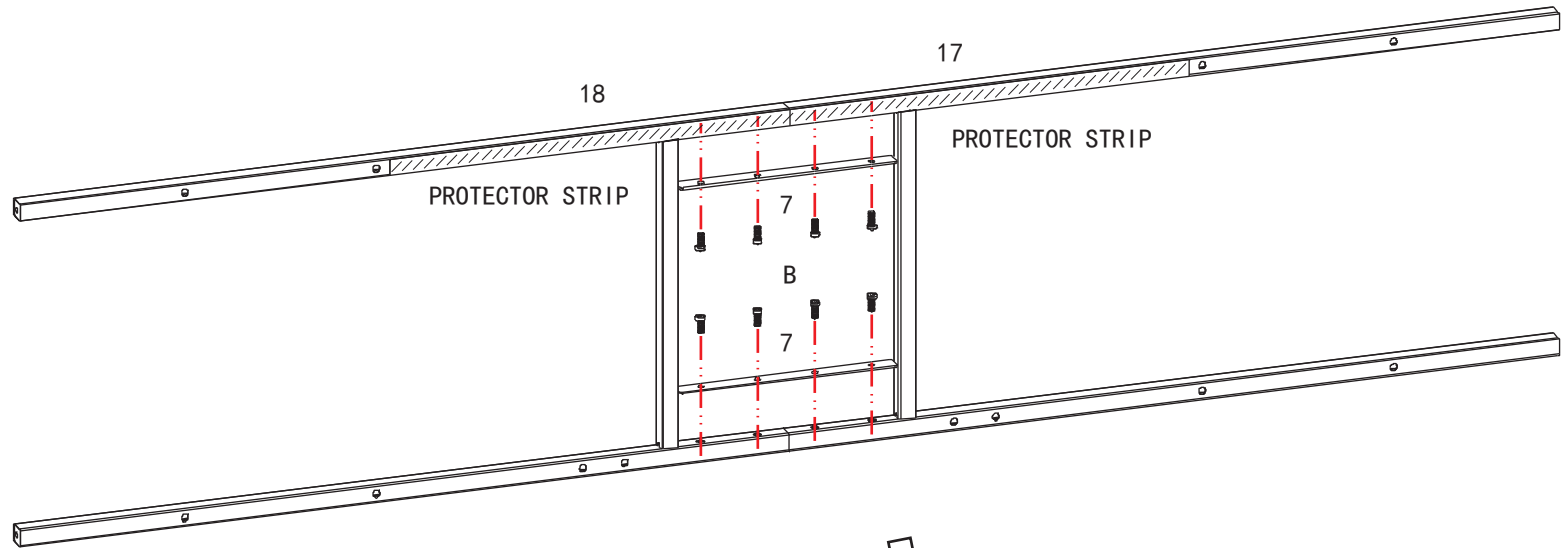


G		X 8
I		X 8

ASSEMBLY INSTRUCTIONS

STEP 20

FASTEN PART (7) TO PART (17) AND PART (18) WITH SCREW (B), AND THEN FLIP THE FRAME (PROTECTOR STRIP END UNDER THE FRONT END).



B		X 8
---	--	-----

ASSEMBLY INSTRUCTIONS

STEP 21

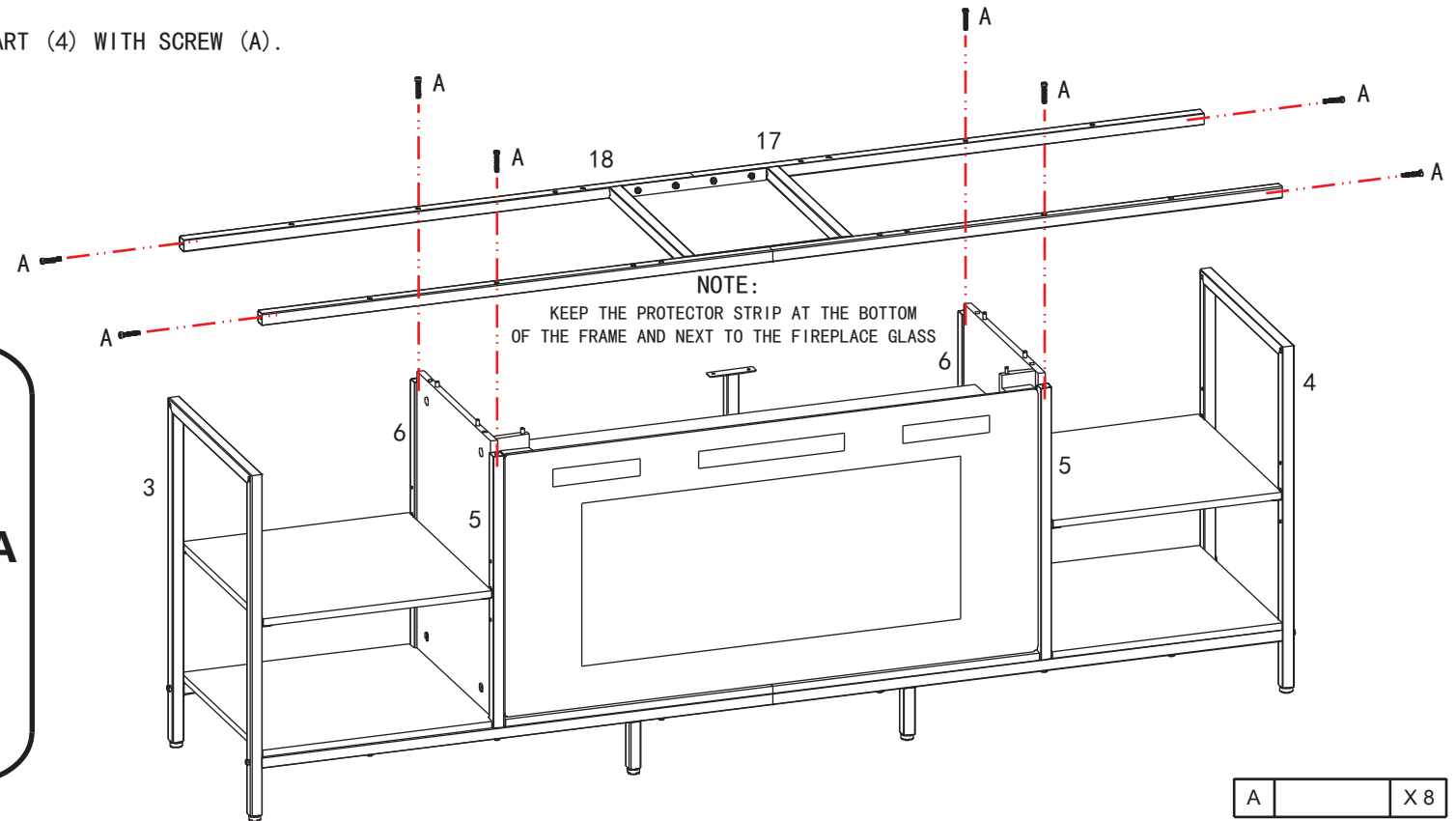
FASTEN PART (17), PART (18), PART (3) AND PART (4) WITH SCREW (A).

CAUTIONS:

1. FASTEN PART (17), PART (18), PART (3) AND PART (4) WITH SCREW (A).

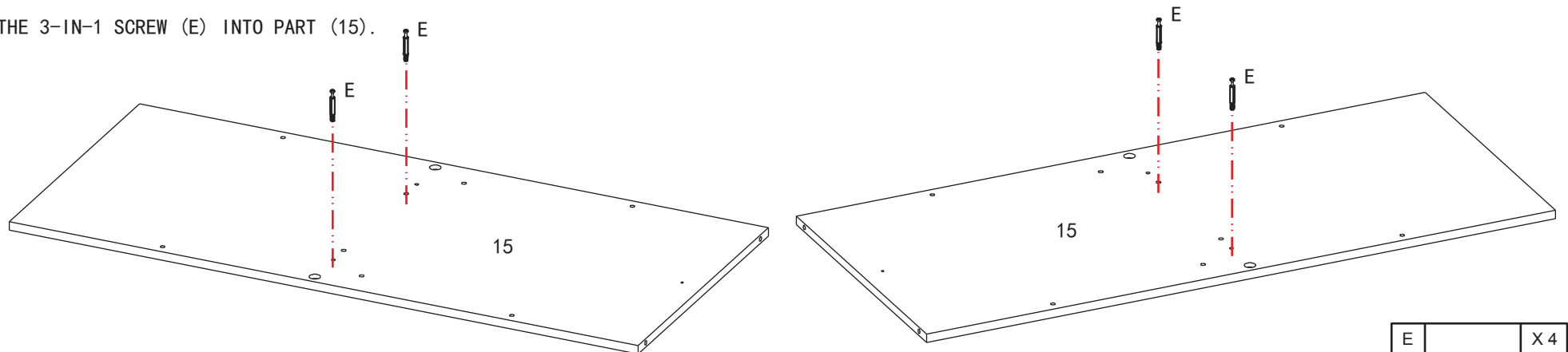
DON'T TIGHTEN SCREW A

2. BEFORE FIX PART (17), PART (18) TO PART (5), PART (6), ADJUST THE GAP BETWEEN THE FIREPLACE AND THE LEFT AND RIGHT SIDES OF THE PART (5).



STEP 22

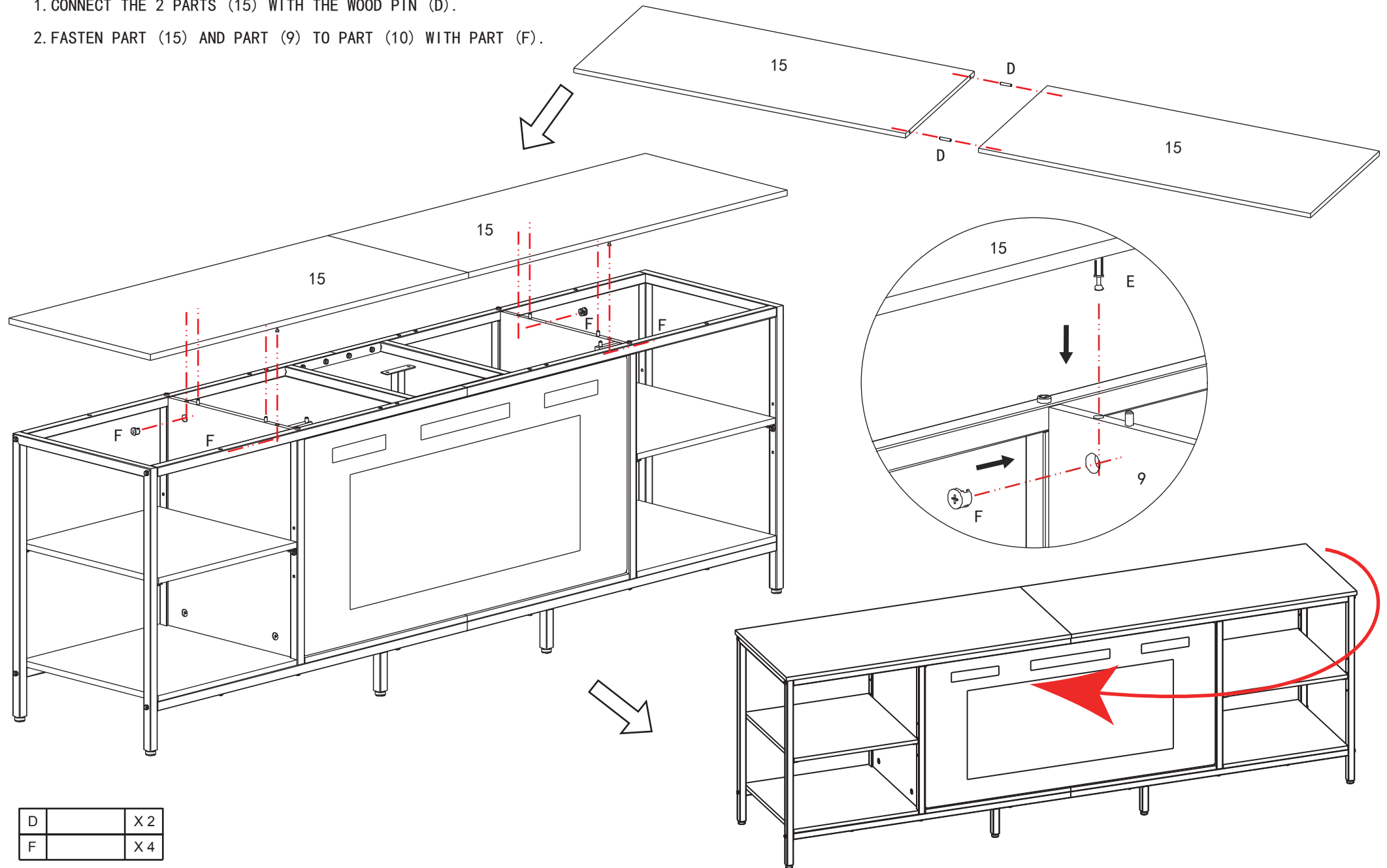
SCREW THE 3-IN-1 SCREW (E) INTO PART (15).



ASSEMBLY INSTRUCTIONS

STEP 23

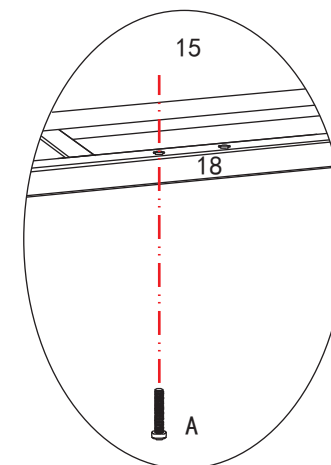
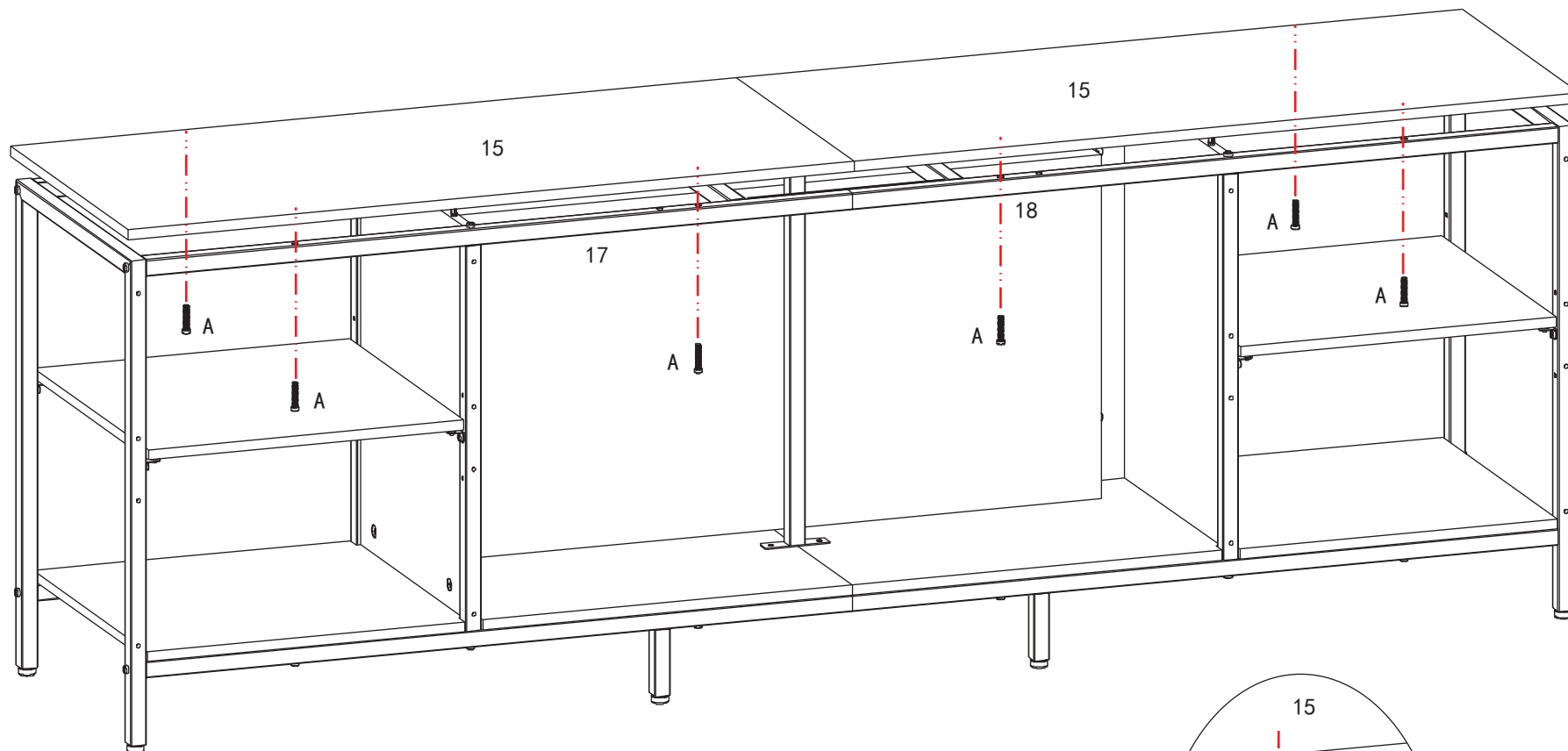
1. CONNECT THE 2 PARTS (15) WITH THE WOOD PIN (D).
2. FASTEN PART (15) AND PART (9) TO PART (10) WITH PART (F).



ASSEMBLY INSTRUCTIONS

STEP 24

FASTEN PART (15) TO THE TOP OF THE FRAME WITH SCREWS (A).



CAUTIONS:

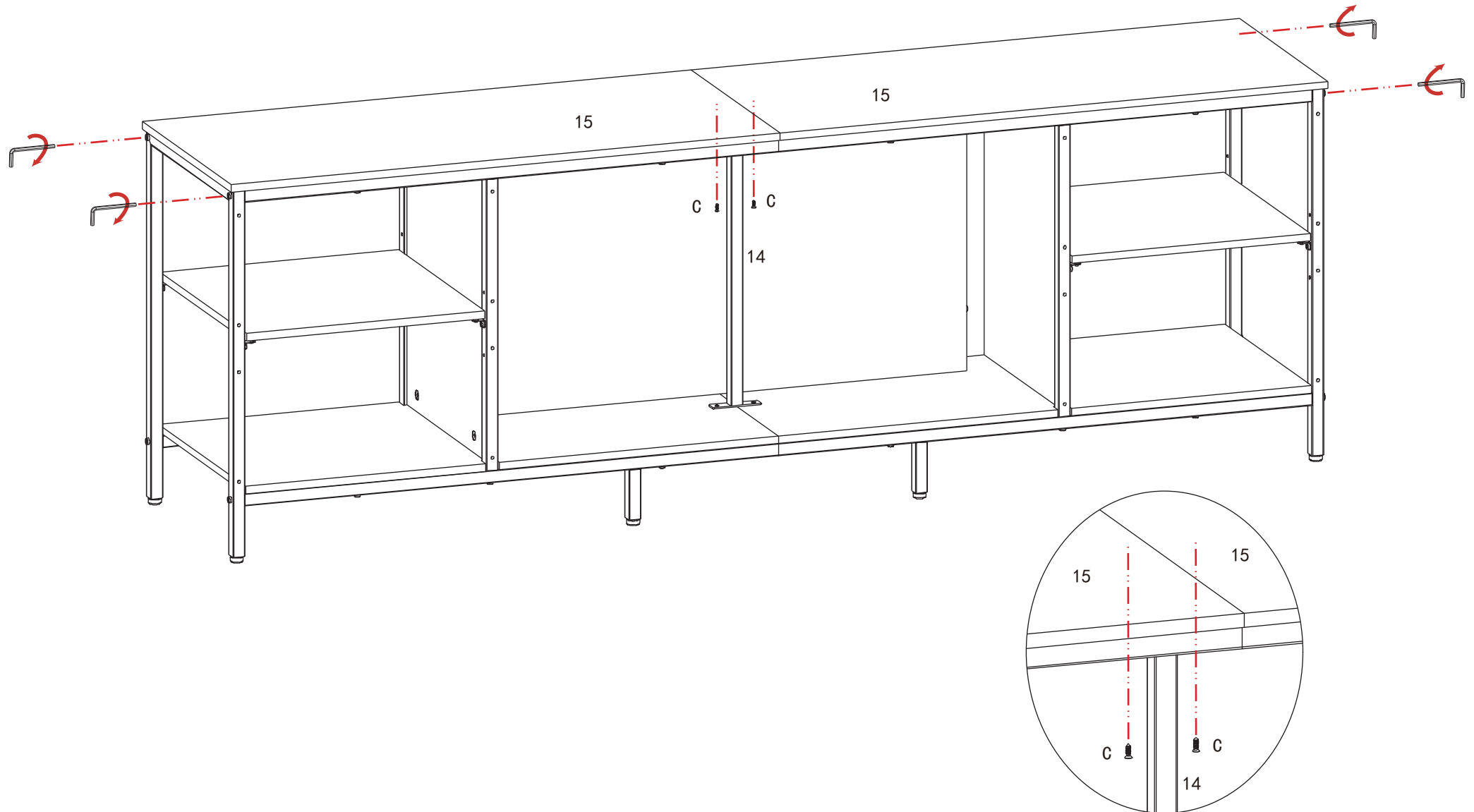
BEFORE FASTEN THE SCREW (A), PLEASE ADJUST THE POSITION OF PART (17) AND PART (18) TO ENSURE ALIGNMENT BETWEEN THE HOLES ON PART (17) AND PART (18) AND THE HOLES ON PART (15)

A		X 6
---	--	-----

ASSEMBLY INSTRUCTIONS

STEP 25

1. FASTEN PART (14) TO PART (15) WITH SCREW (C).
2. TIGHTEN THE FOUR SCREWS (A) THAT ARE NOT TIGHTENED IN STEP 21.

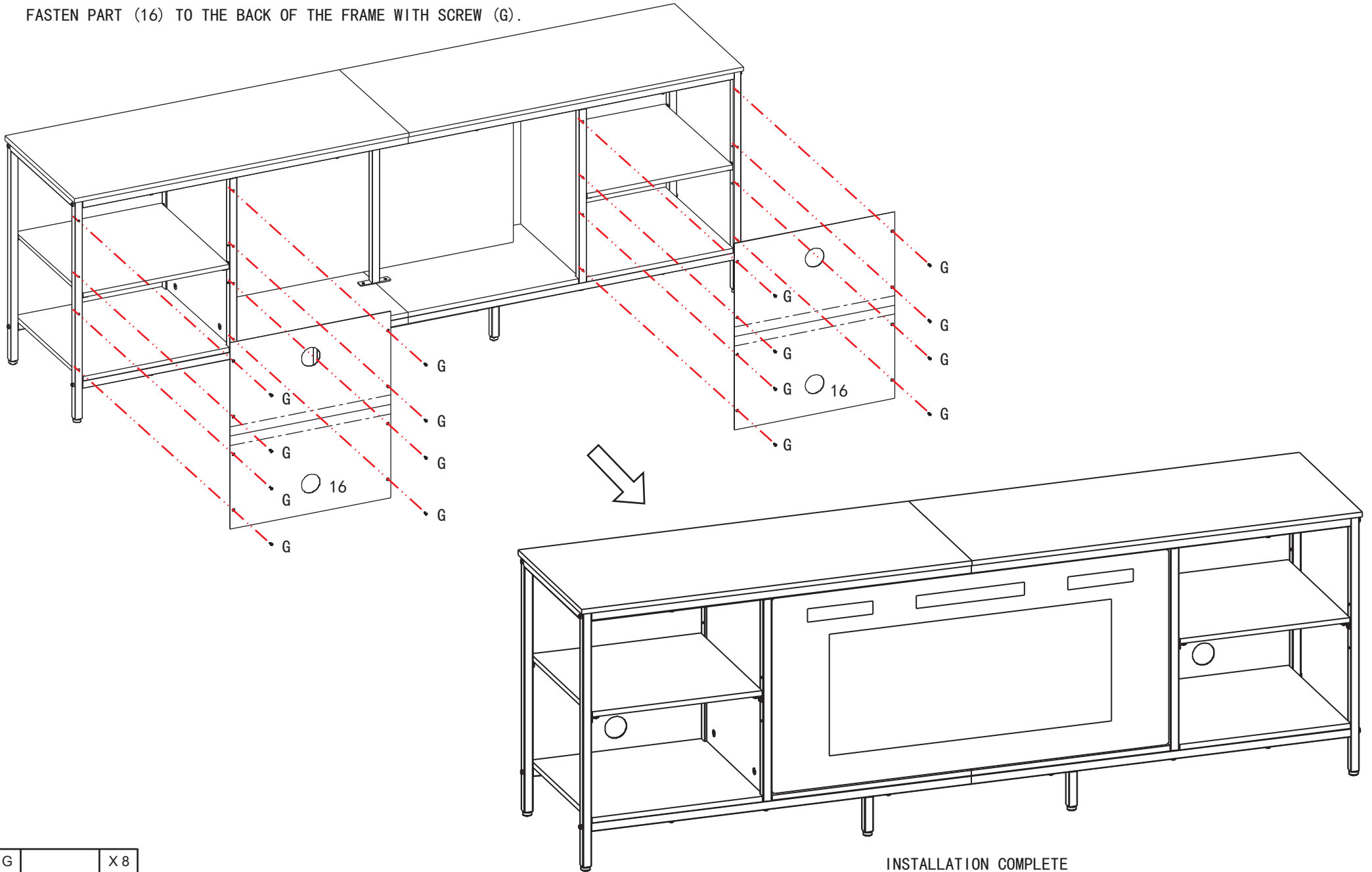


C		X 2
---	--	-----

ASSEMBLY INSTRUCTIONS

STEP 26

FASTEN PART (16) TO THE BACK OF THE FRAME WITH SCREW (G).



G X 8

INSTALLATION COMPLETE