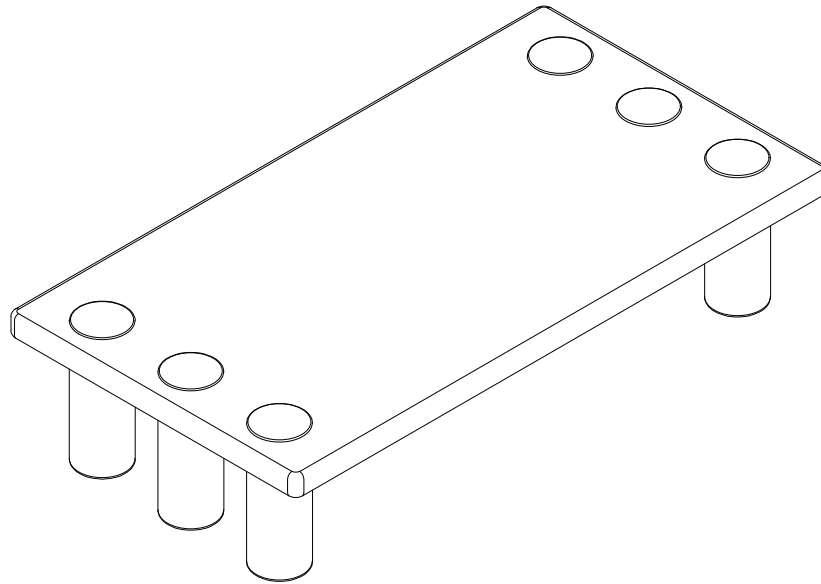
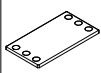


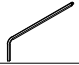
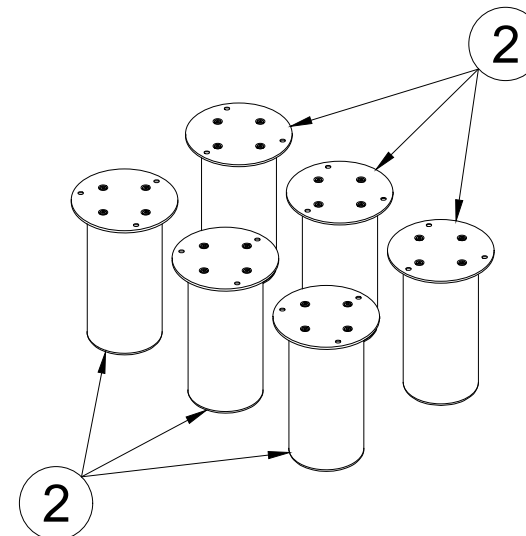
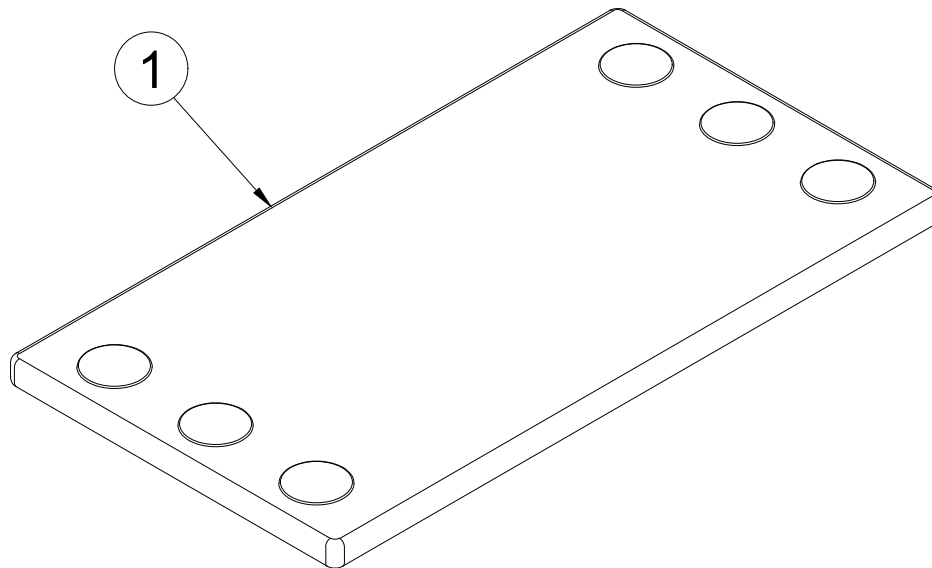


ASSEMBLY INSTRUCTION CARRIGAN COFFEE TABLE

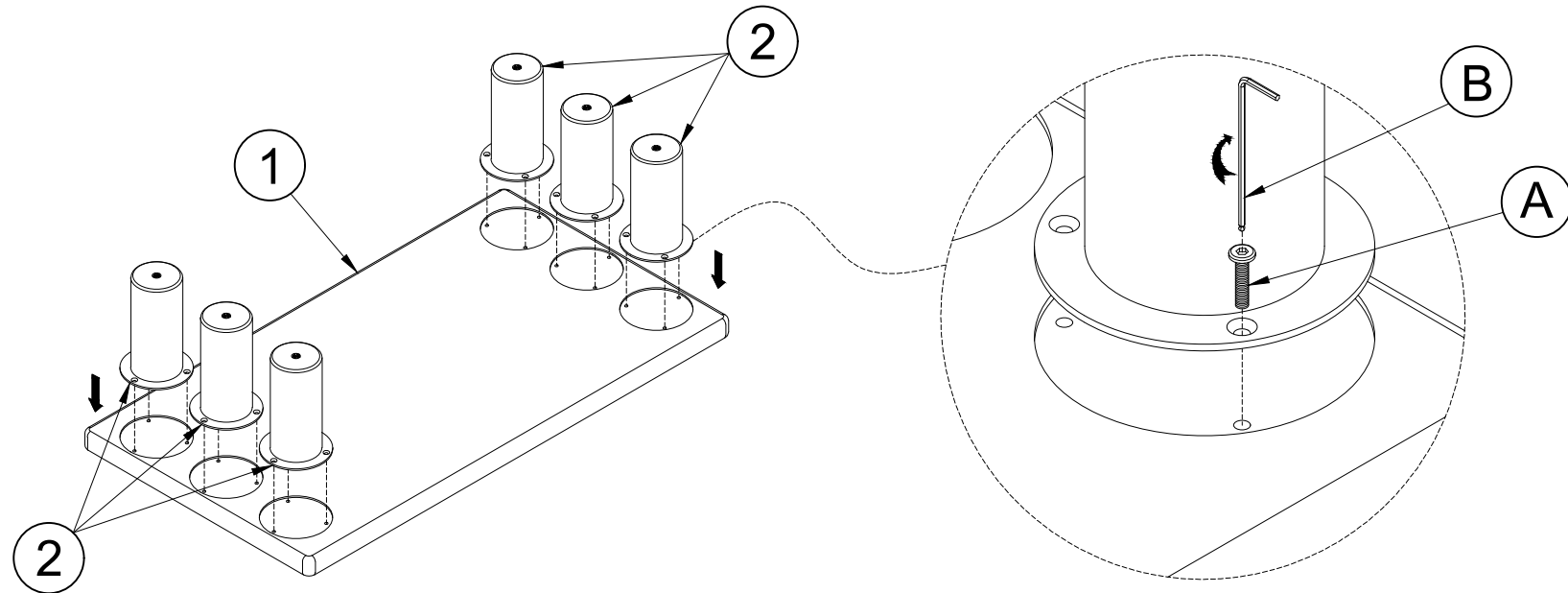


Part List			
1		Table Top	1
2		Table Leg	6
Name of Hardware			
A		Bolts M8 x 30	18
B		Allen Key M4	1

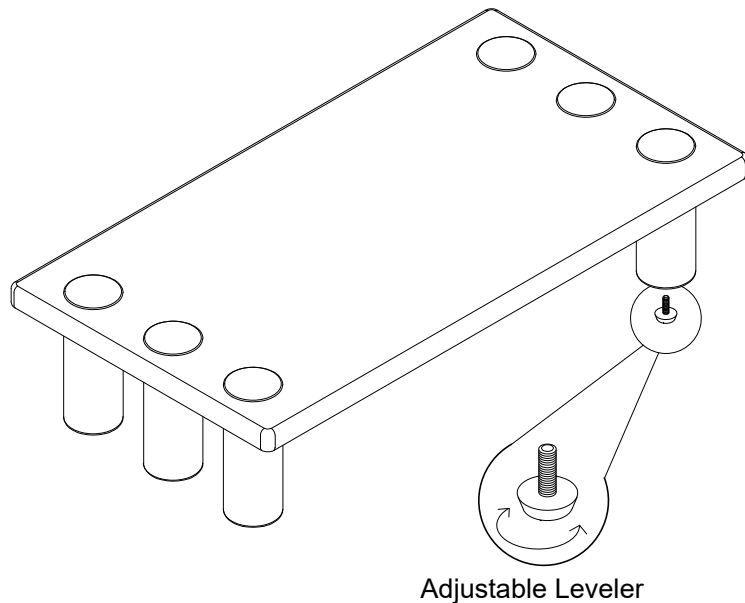


ASSEMBLY INSTRUCTION CARRIGAN COFFEE TABLE

Step: 1



Step: 2



Adjustable Leveler

MADE IN VIETNAM

Adjusting Floor Levelers

Your furniture has been expertly crafted and pre-adjusted by professionals. However, slight shifts can occur during transportation. If you notice that the doors are not perfectly aligned or the furniture wobbles, a quick adjustment can help ensure stability and a seamless look.

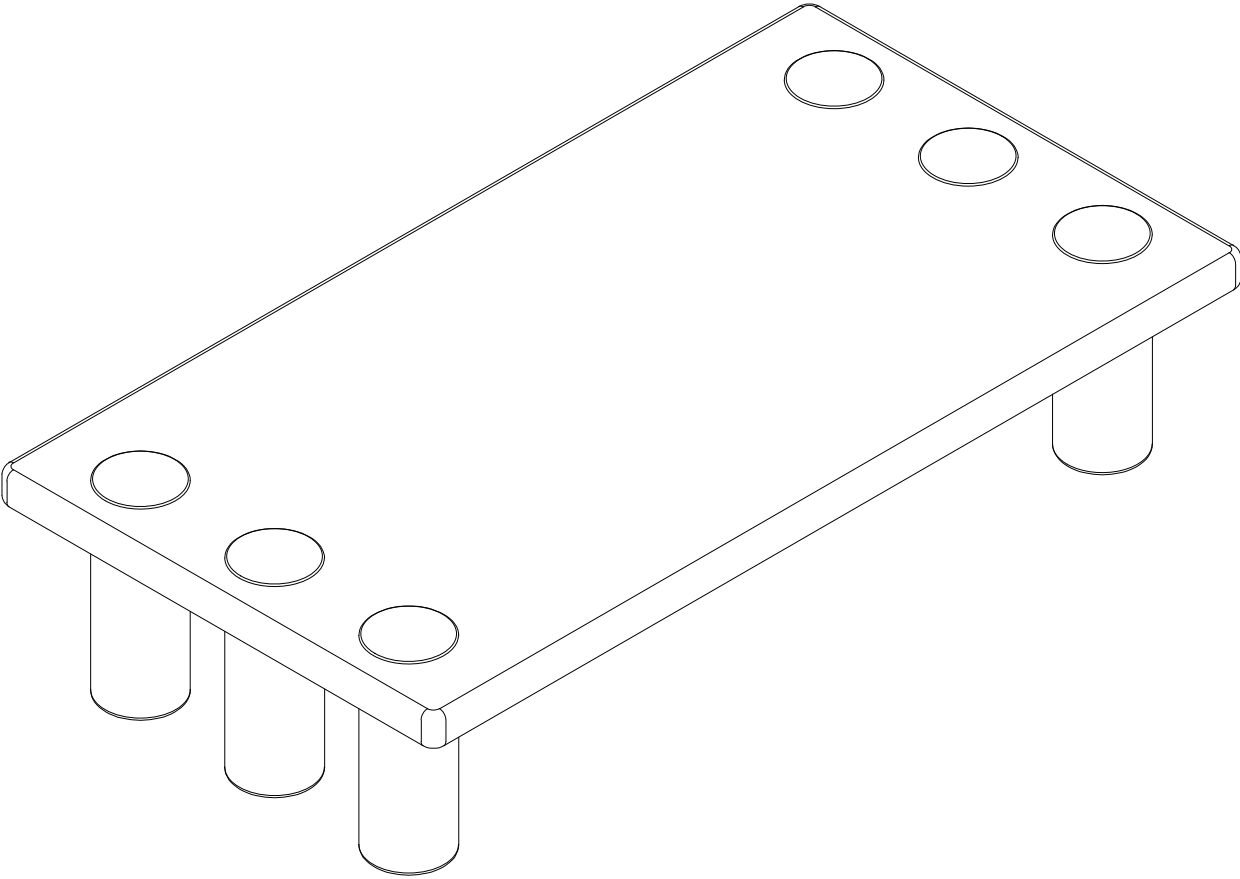
Adjust the Floor Levelers

Check for Stability - Place the furniture in its final position on a level surface. If it wobbles or doesn't sit evenly, the floor levelers need adjusting.

Locate the Levelers - These are small adjustable feet found at the bottom corners of your furniture.

Adjust as Needed - Using your hand or a wrench, turn the levelers clockwise to raise or counterclockwise to lower the furniture. Make small adjustments and check stability after each turn.

ASSEMBLY INSTRUCTION
CARRIGAN COFFEE TABLE



FINISH