

Important Safety Instructions:

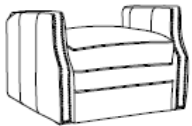
- Please read all instructions carefully before assembling.
- For your safety, assembly by two or more adults is strongly recommended.
- Keep instructions for future use.
- Use only vendor supplied hardware to assemble. Using unauthorized hardware could jeopardize the structural integrity of the item.

Pre-assembly:

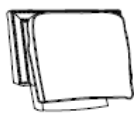
- Remove all parts and hardware from the box and lay out on a clear carpeted or scratch-free work surface, as this will avoid damaging parts during assembly. The shipping box provides an ideal work surface.
- Do not dispose of any packaging or contents of the shipping carton until assembly is completed to avoid accidentally discarding small parts or hardware.
- Use the parts and hardware lists below to identify and separate each of the pieces included.
- The illustrations provided allow for easier assembly when used in conjunction with the assembly instructions.
- The use of power tools to aid in assembly is not recommended. Power tools can damage hardware and split wood.

Parts Included:

(A) Seat	1x
(B) Backrest	1x
(C) Plastic Washer	4x
(D) Front Leg	2x
(E) Rear Leg	2x



Ax1



Bx1



Cx4



Dx2

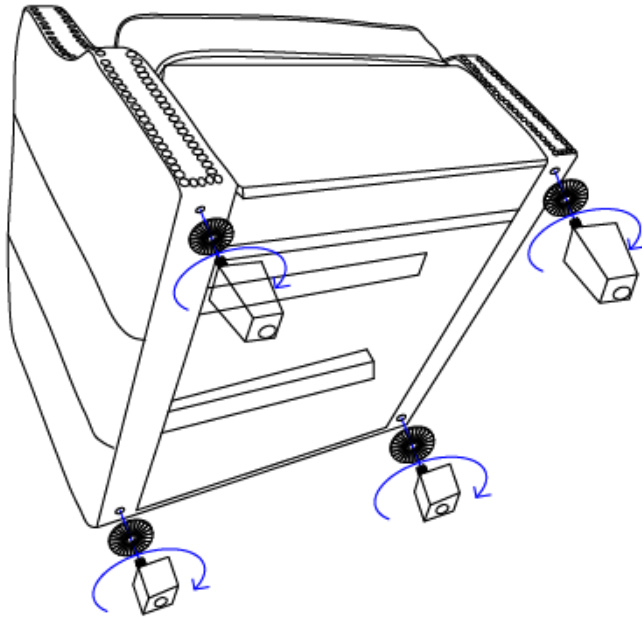


Ex2

Assembly Instruction Steps:

1. Carefully turn the Seat (A) onto its side lying on a smooth scratch free surface. Screw the front Legs (D) and rear legs (E) through the plastic washer (C) into Seat (A) as shown. Then carefully turn the seat upright.

NOTE: Front legs (D) is higher than rear legs (E), they are not interchangeable.



2. Attach Backrest (B) to the Seat (A) by sliding Bracket, pressing firmly to lock the retaining piece into place.

