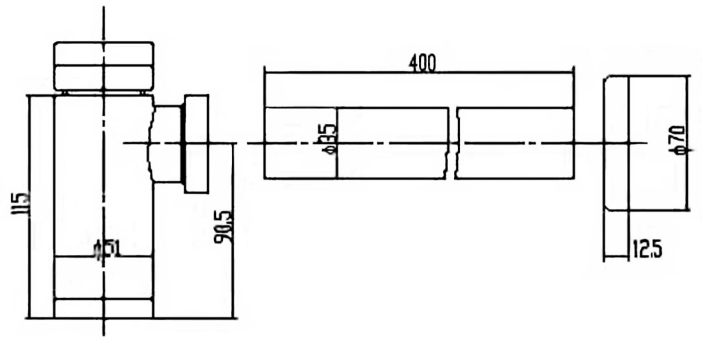


CUSTOMER DATA SHEET - WASTES & EXTRAS

DESCRIPTION: Bottle Trap



PRODUCT DIMENSIONS

| Height (mm) | Width (mm) | Length (mm) | Depth (mm) | Nett Wgt Kg |
|-------------|------------|-------------|------------|-------------|
| 115 | 70 | | 51 | 0.71 |

PACKAGING DIMENSIONS

| Height (mm) | Width (mm) | Depth (mm) | Gross Wgt Kg |
|-------------|------------|------------|--------------|
| | 135 | 55 | 0.82 |

PACKAGING DATA

| | | | |
|------------|---------------------|--------------|-------------|
| Box Colour | White Cardboard Box | | |
| Box Qty | 1 | Label Colour | White Label |
| Label Size | 100 x 50 | Label Qty | 2 |

OUTER BOX DIMENSIONS (If Applicable)

| Height (mm) | Width (mm) | Length (mm) | Depth (mm) | Gross Wgt Kg |
|-------------|------------|-------------|------------|--------------|
| | | | | |

PRODUCT DETAILS

| | | | |
|-------------------------|----------------|------------------|--------|
| Country of Origin | China | CE Certification | N/A |
| Fitting Instruction | Yes | Colour/Finish | Chrome |
| Product Material | Brass | Product Diameter | 70mm |
| Heating Element Wattage | Not Applicable | Connection Size | 11/4" |