



Attention: Don't tighten the screw before all screws are in place

USE R'S MANUAL

Dining Table

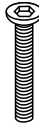
Hardware List

A



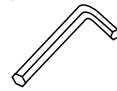
M8*Φ16*1.5mm
(1pcs)

B



M8*70mm
(1pcs)

C



#5
(1pcs)

D



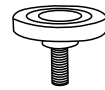
M6*Φ16*1.5mm
(8pcs)

E



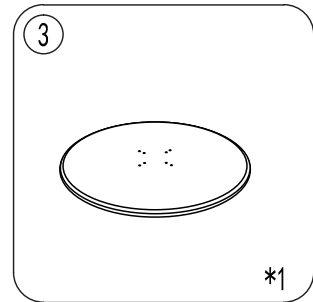
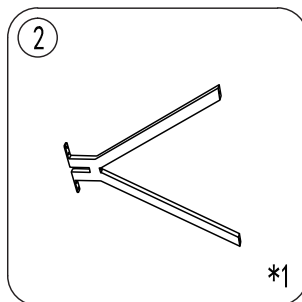
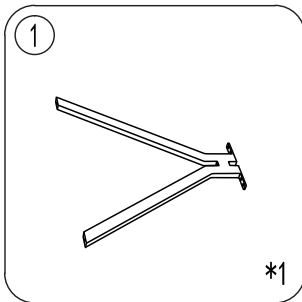
M6*18mm
(8pcs)

F

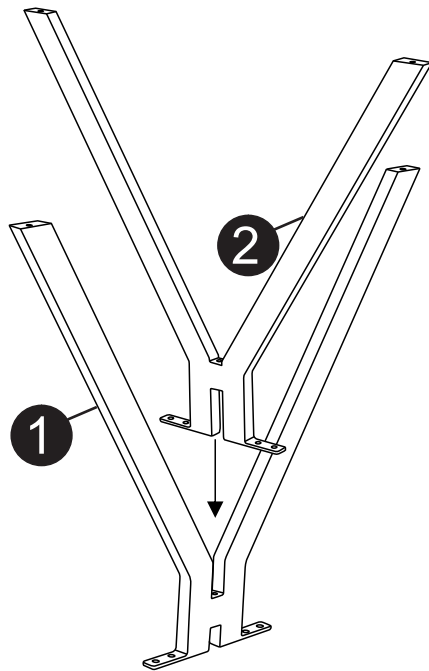


(4pcs)

Panel List



Step 1



Step 2



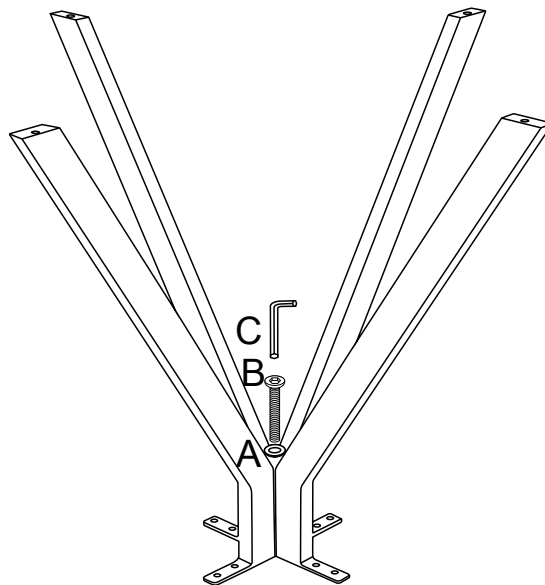
Ax1



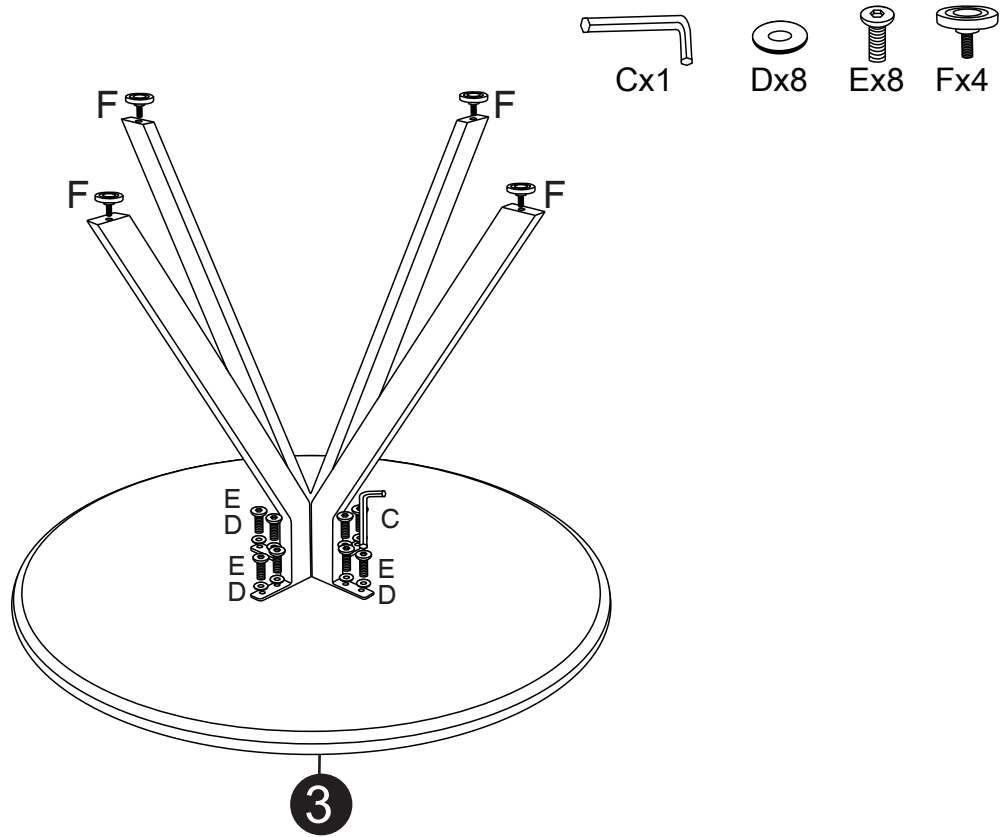
Bx1



Cx1



Step 3



Step 4

