

# INSTALLATION INSTRUCTIONS

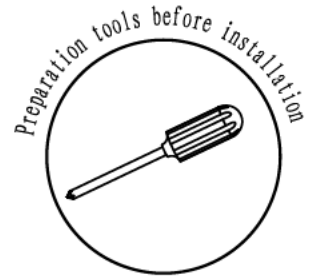
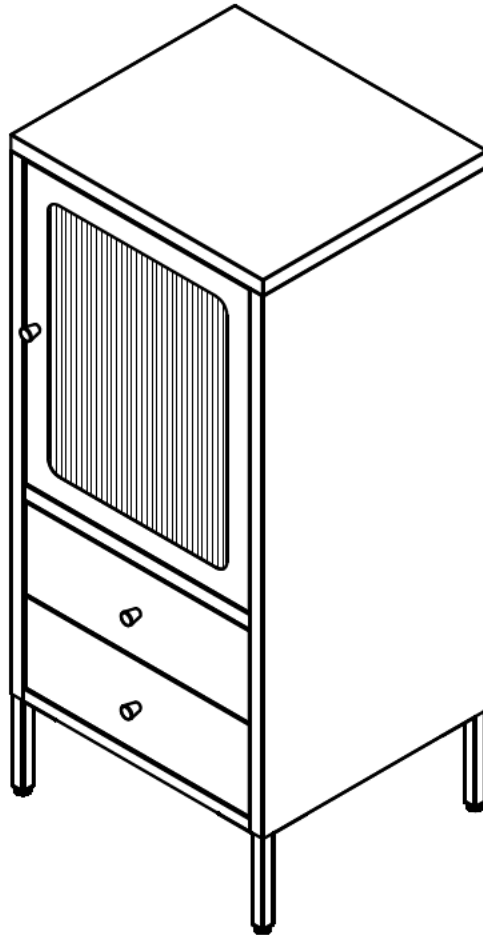
THANK YOU FOR CHOOSING OUR PRODUCTS !

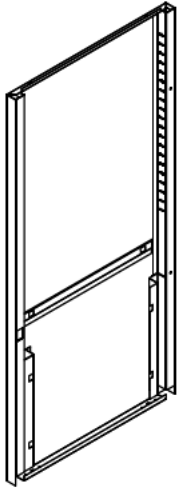
## Before Assembly:

1. Please confirm the completeness of the components and the parts according to the Parts Diagram. If you have any question,
2. It' s not too difficult to assemble, But it will be easier if there is another one assemble it with you.

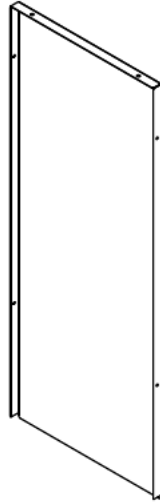
## During Assemble:

1. Please pay attention that some components may be a little sharp, Take care.
2. During assembly, please fix the screws temporarily and tighten them at last.



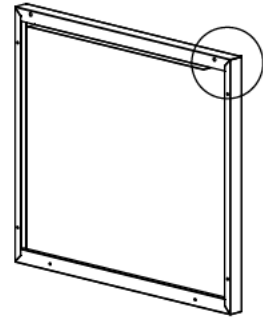
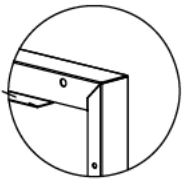


A\*1

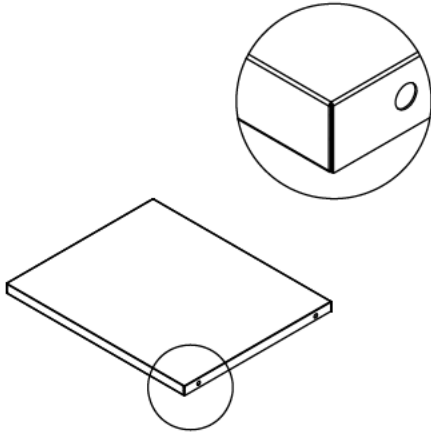


B\*1

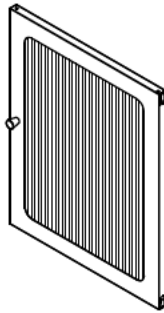
Notice: This part is on the front !



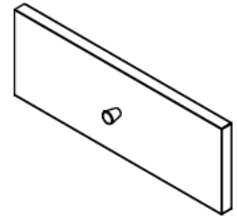
C\*1



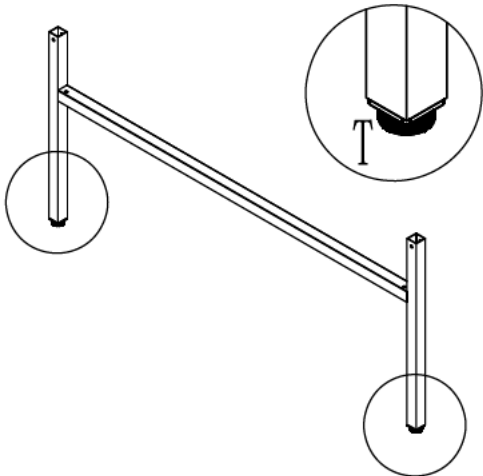
D\*2



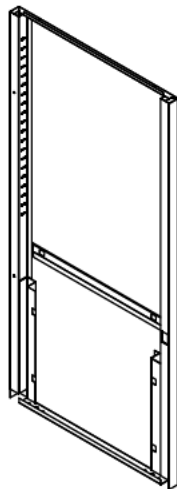
E\*1



F\*2



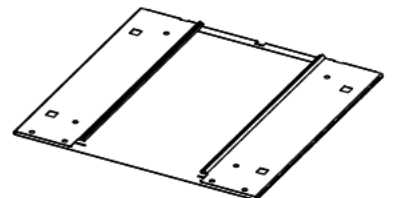
H\*2



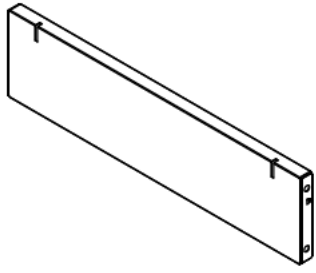
M\*1



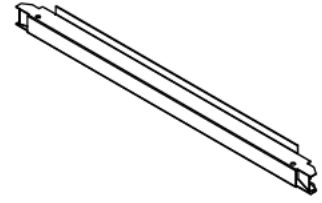
N\*4



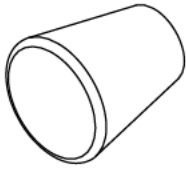
O\*2



P\*2



Q\*1



G\*3



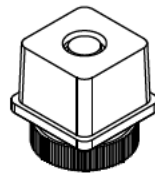
I\*37



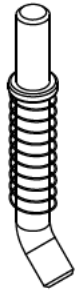
R\*1



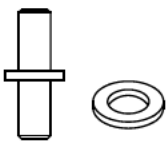
S\*2



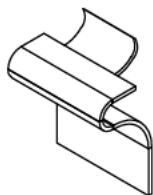
T\*4



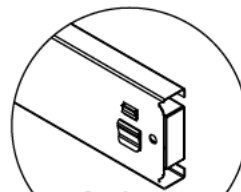
J\*1



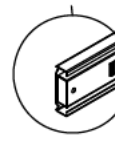
K\*1



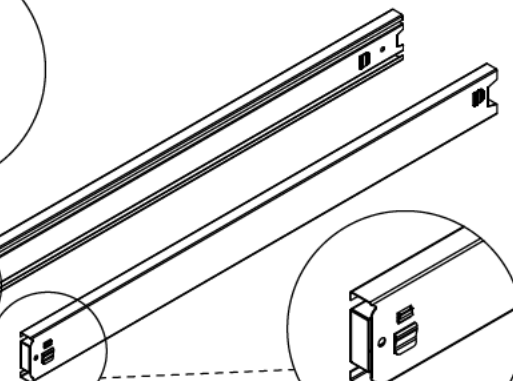
L\*4



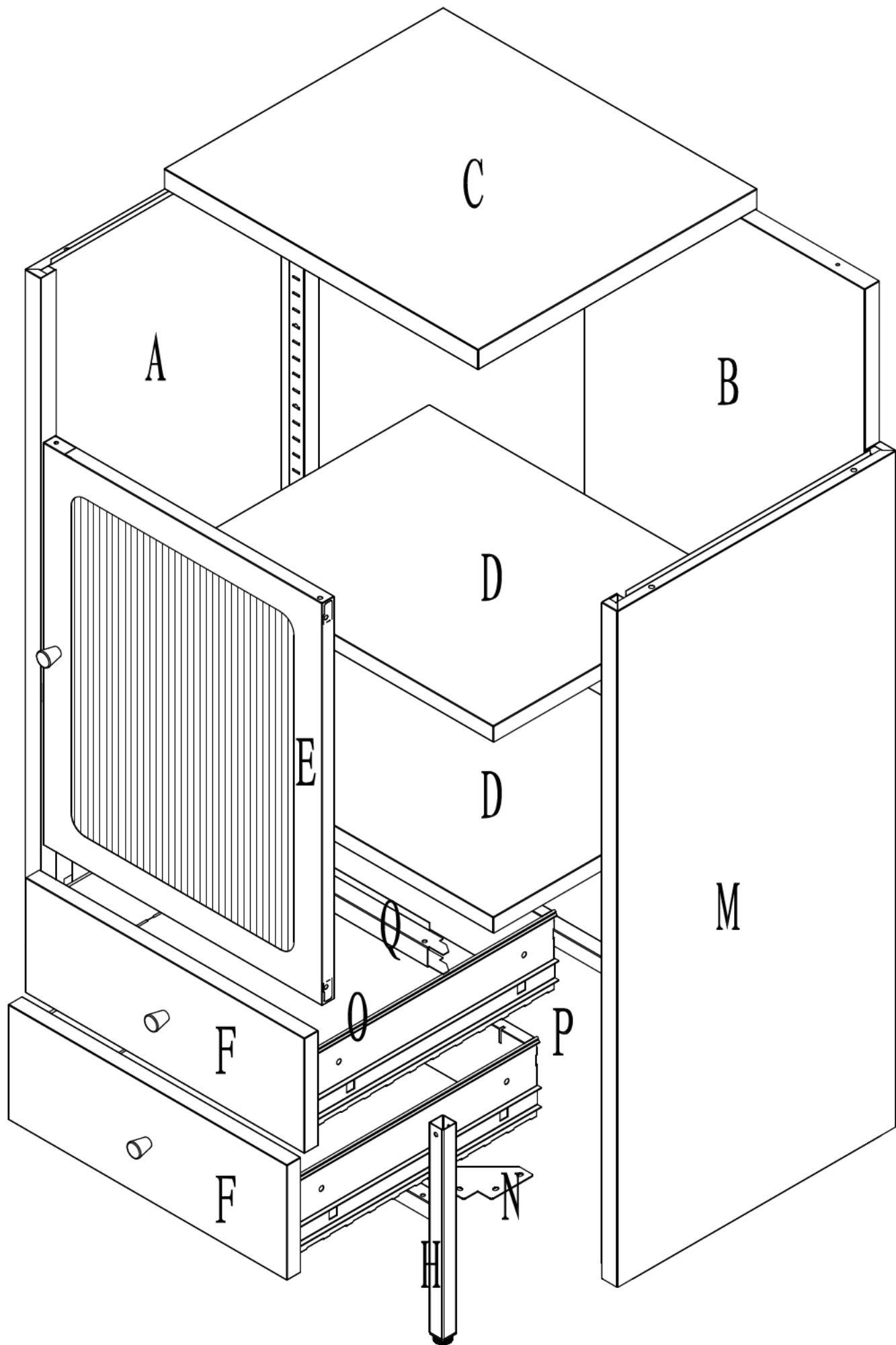
Left



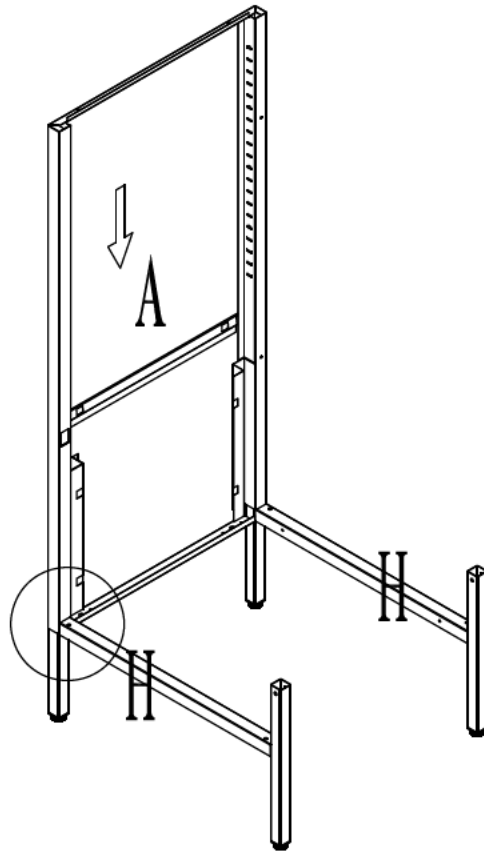
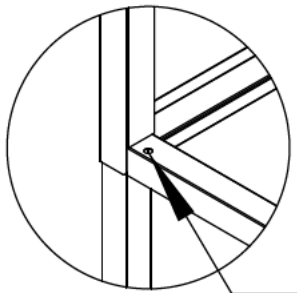
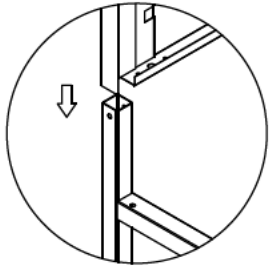
U\*2



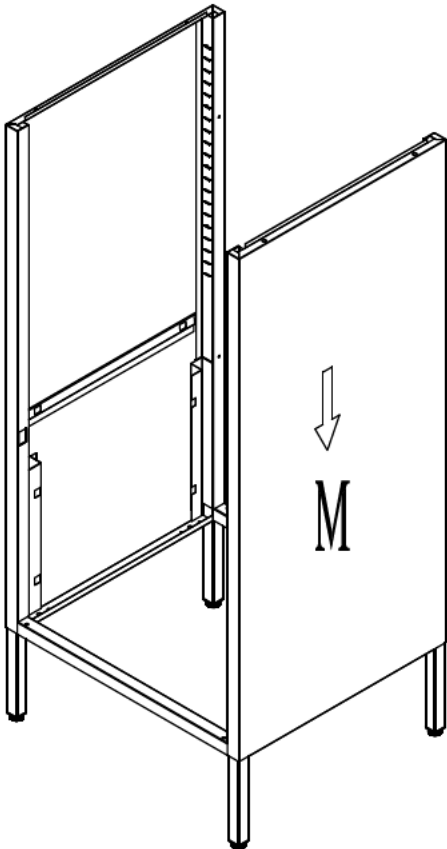
Right



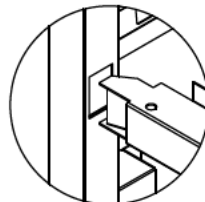
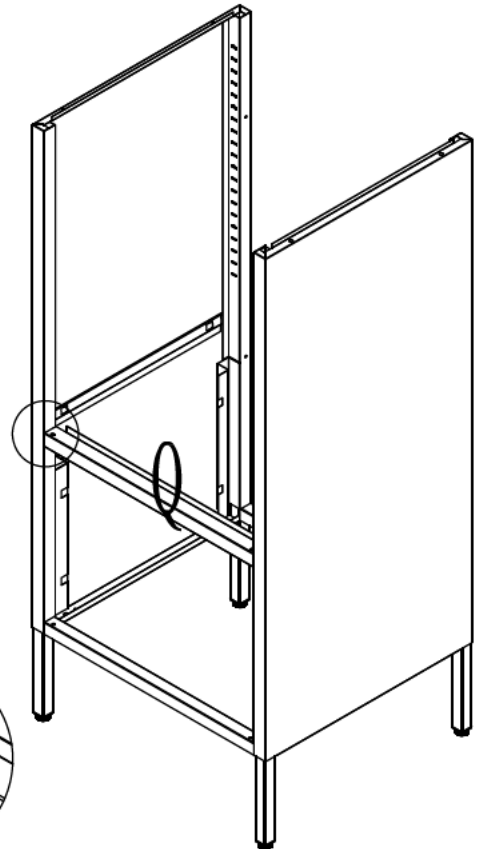
# step1



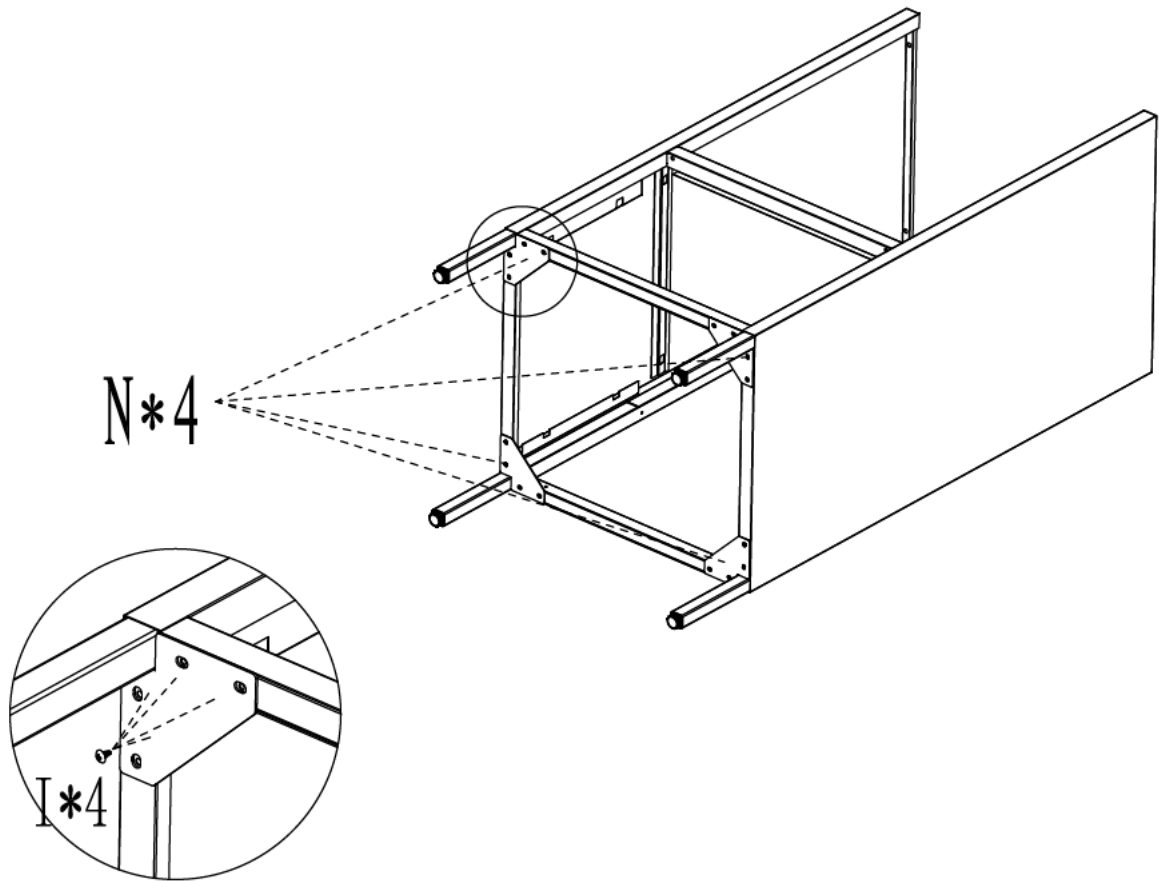
# step2



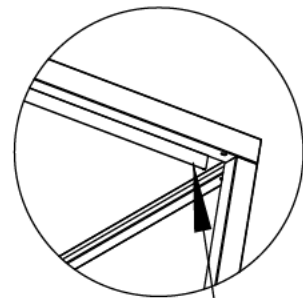
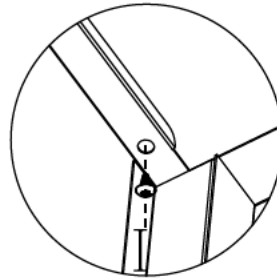
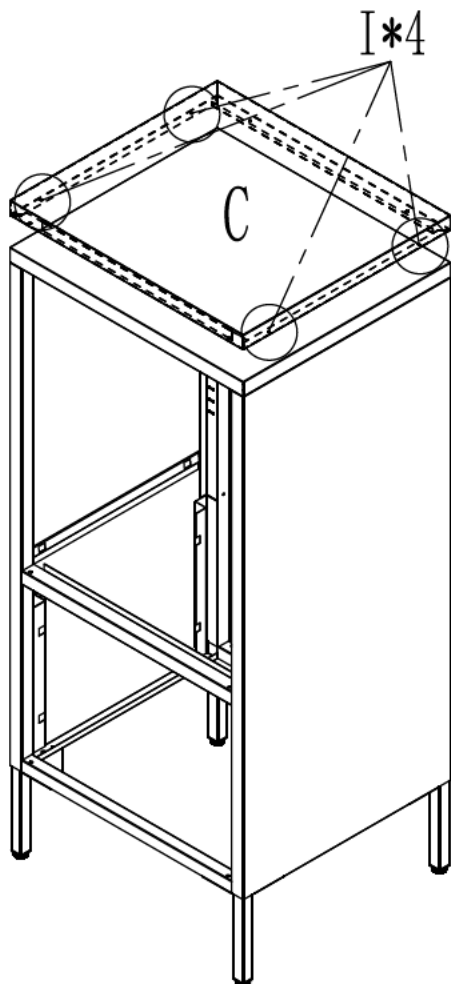
# step3



step4

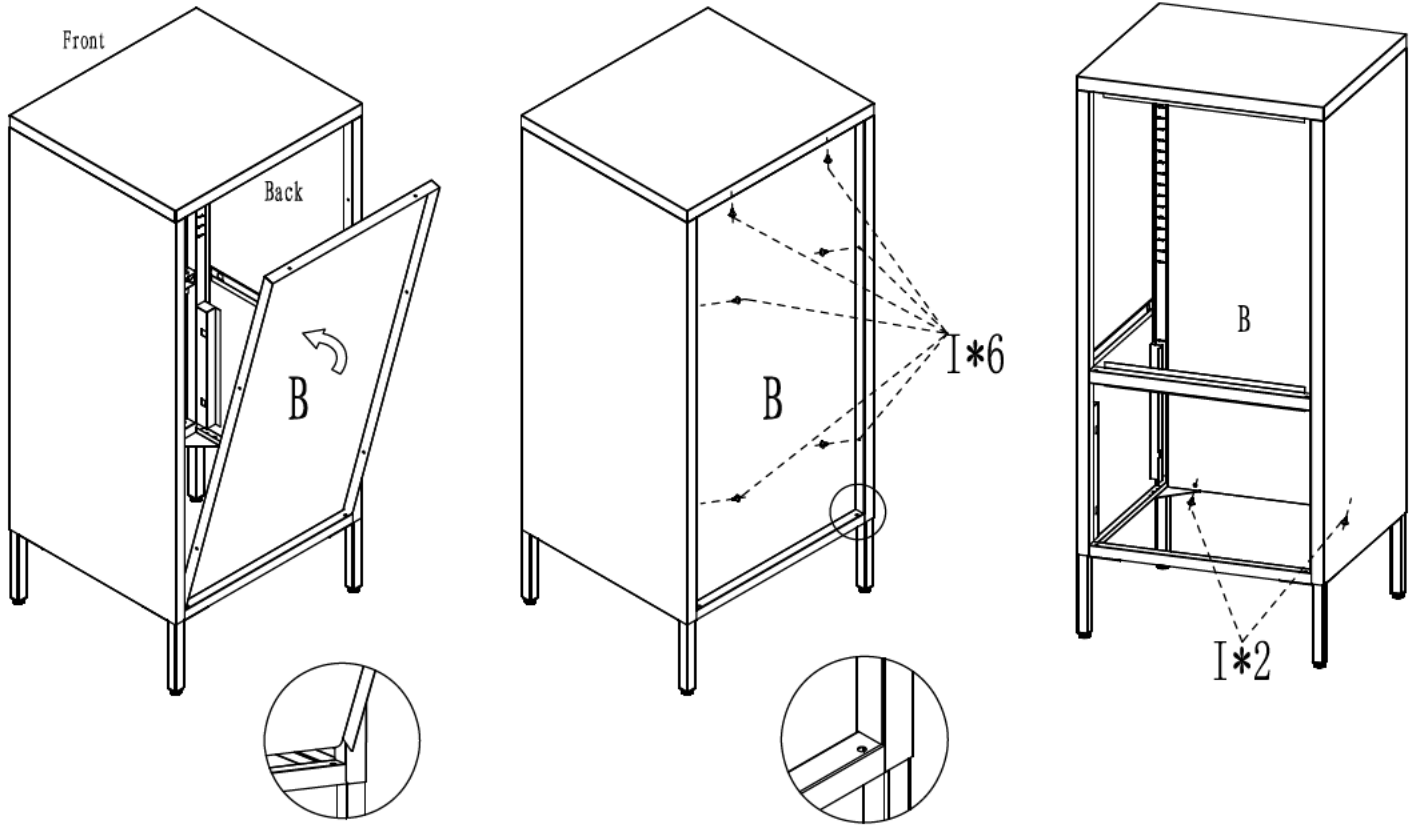


step5

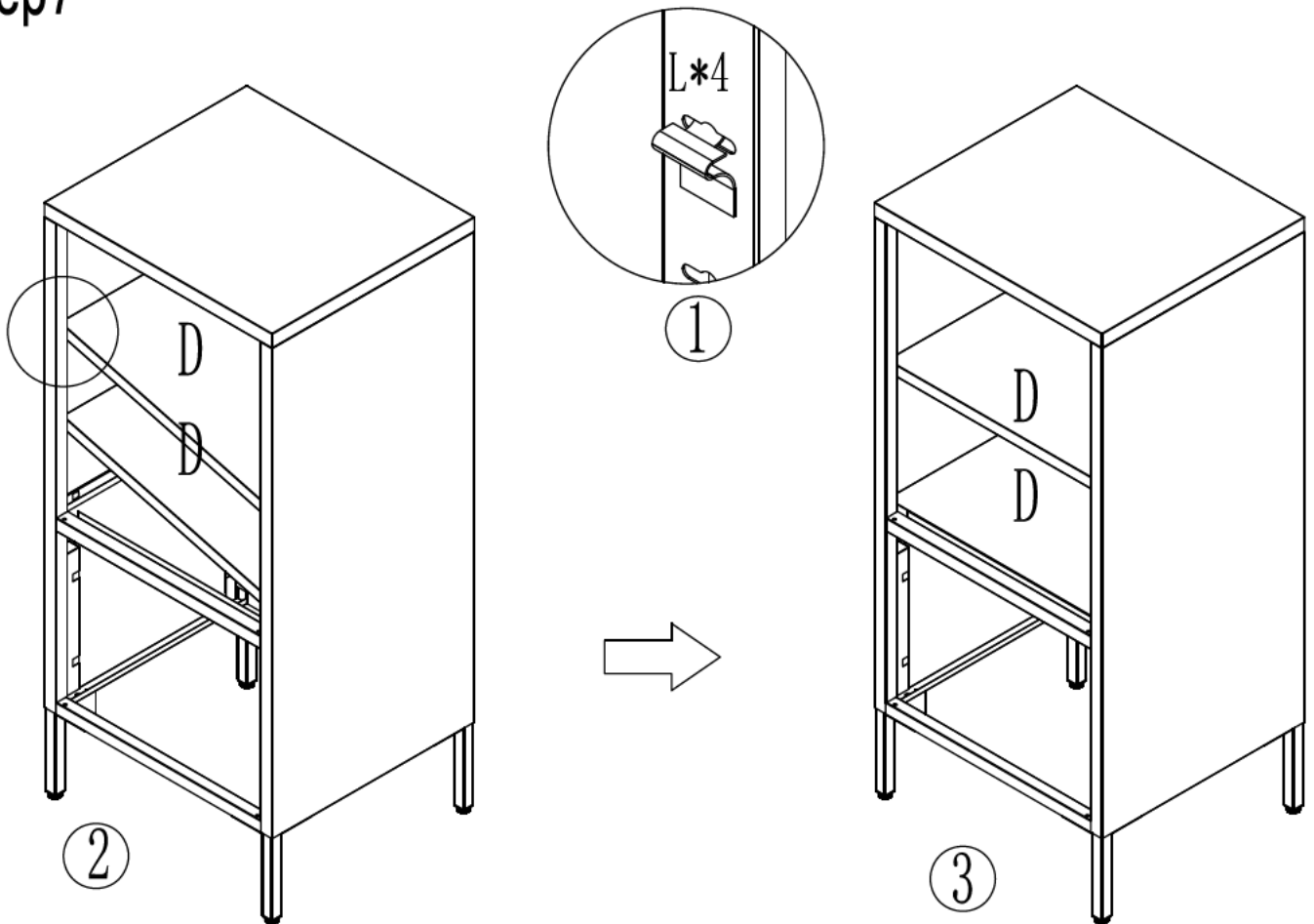


Notice: This part  
is on the front !

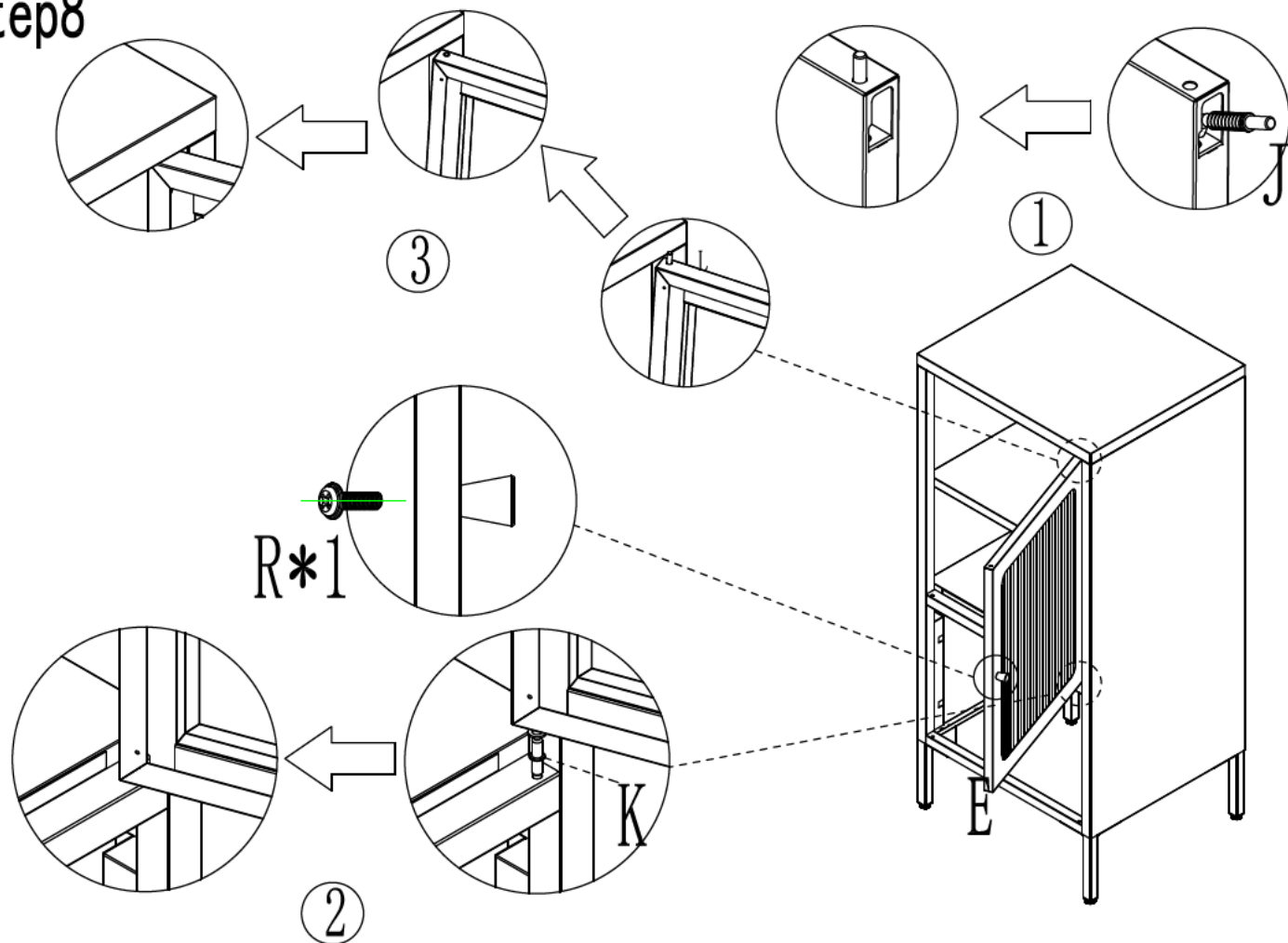
# step6



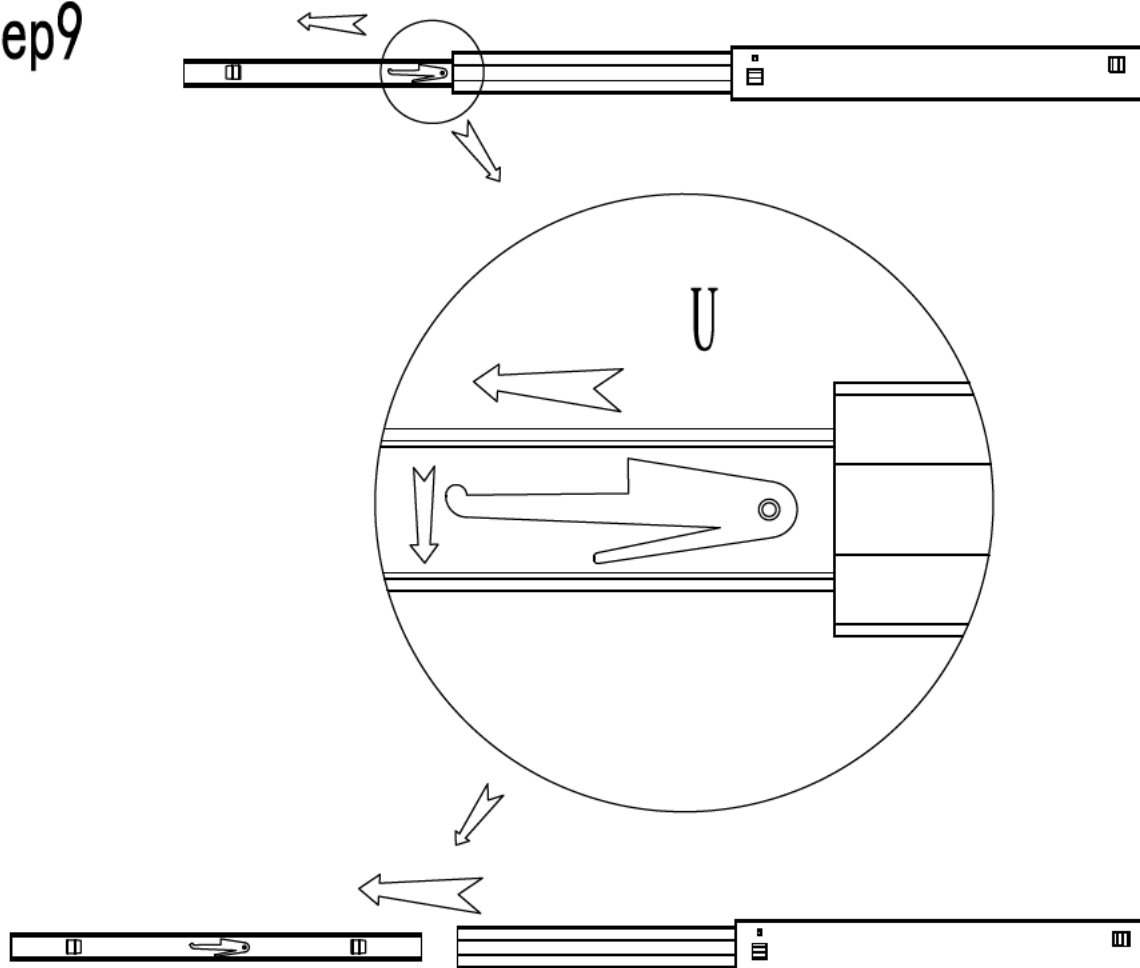
# step7



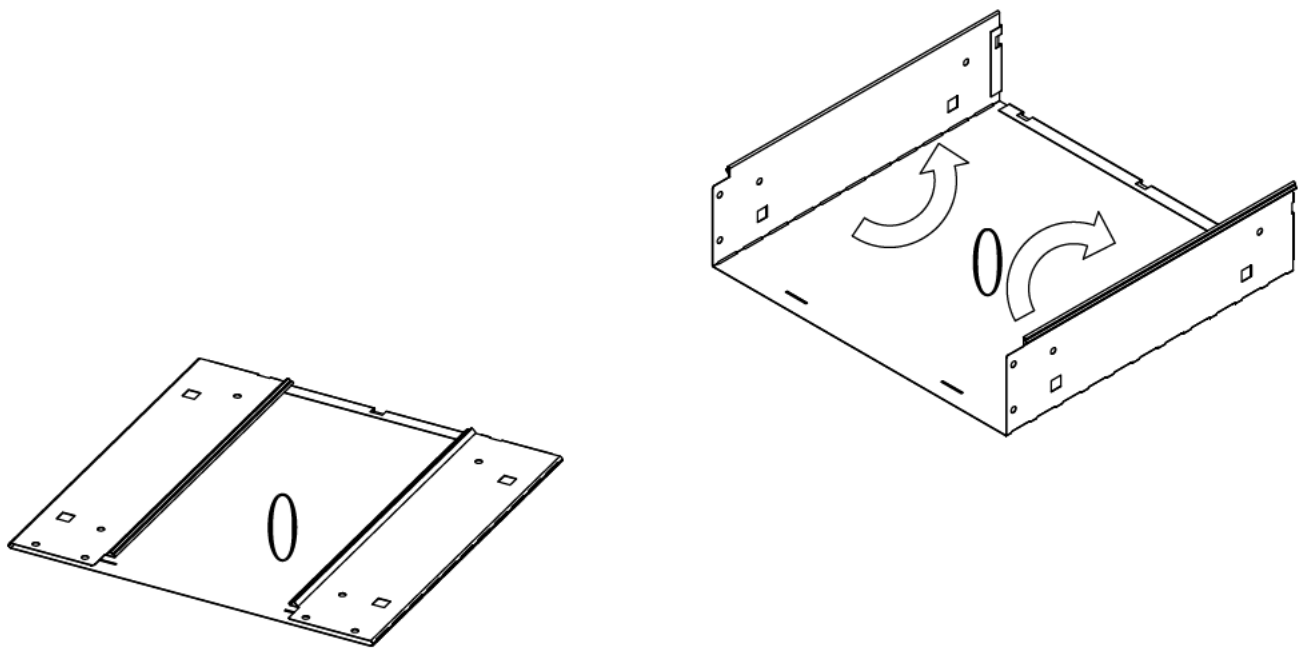
step8



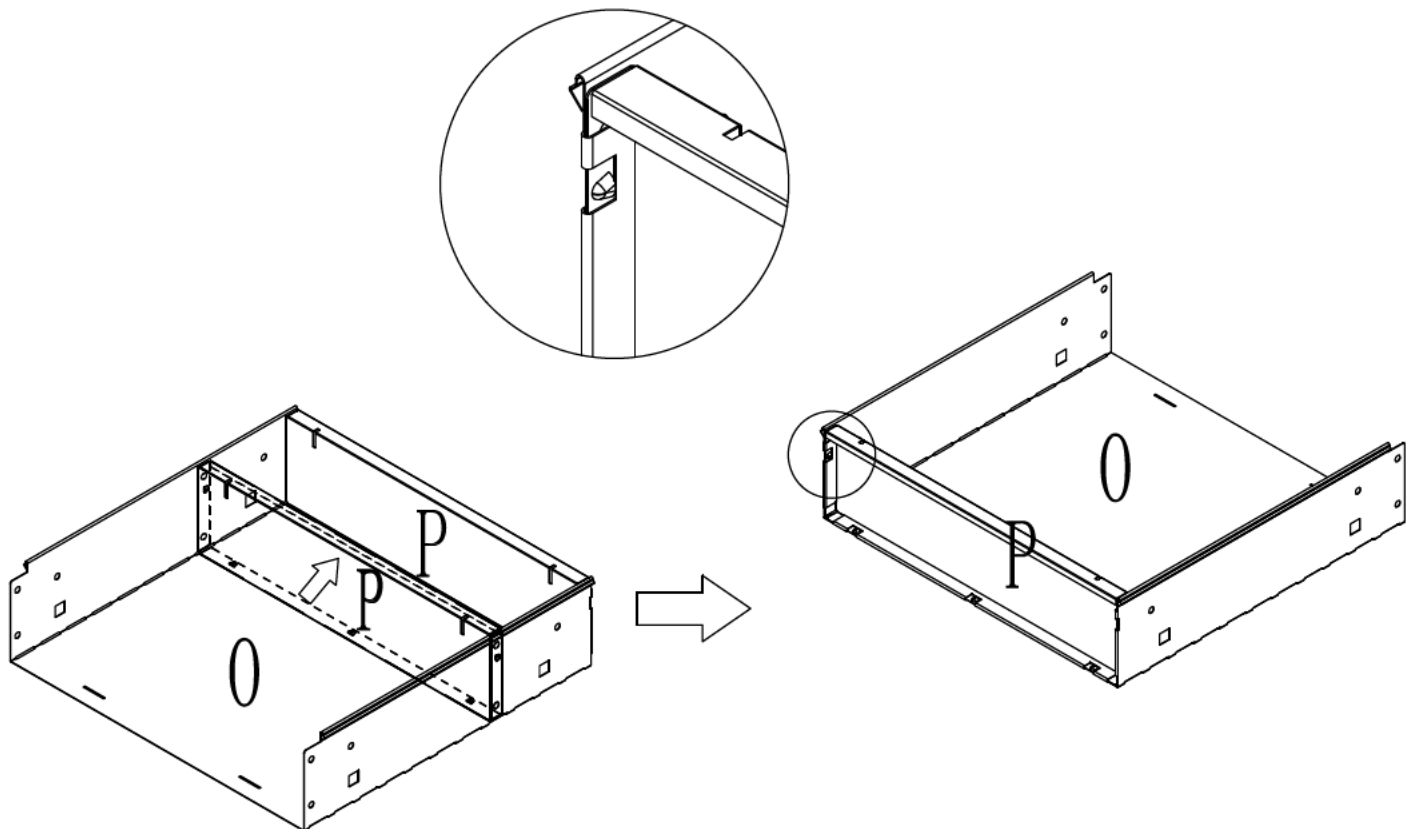
step9



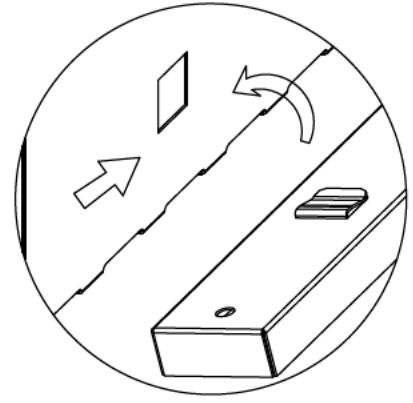
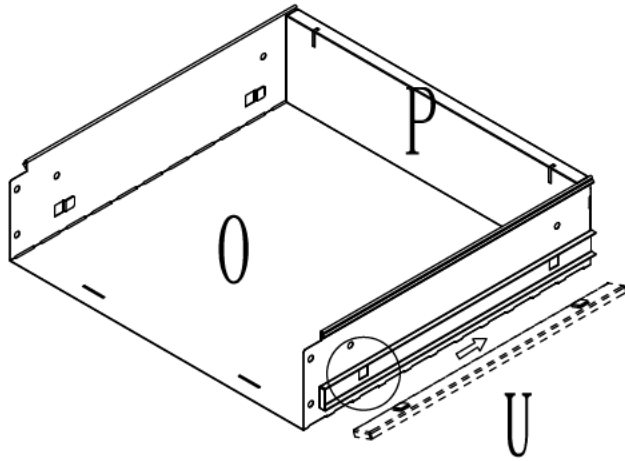
step10



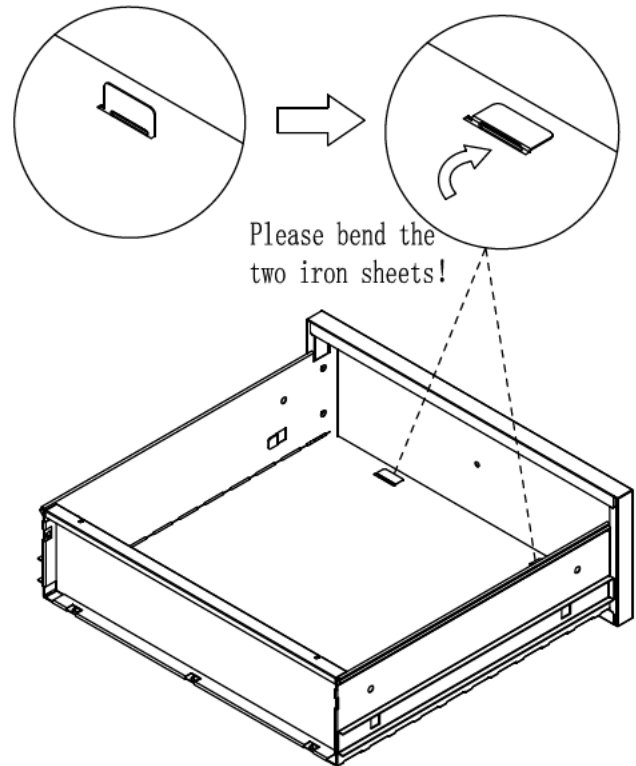
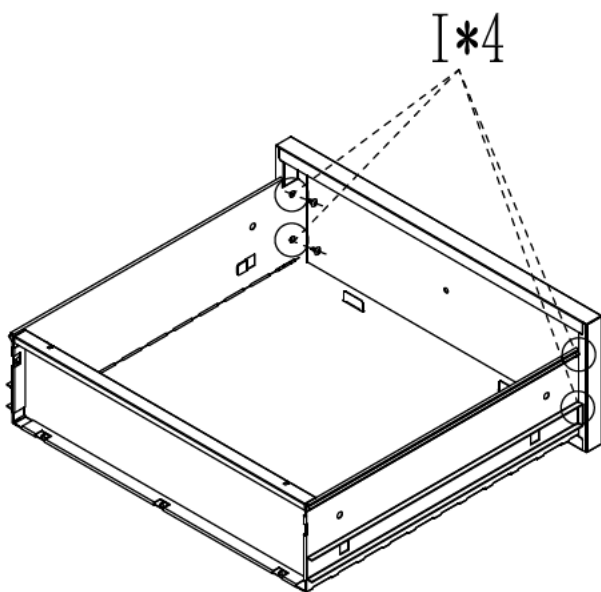
step11



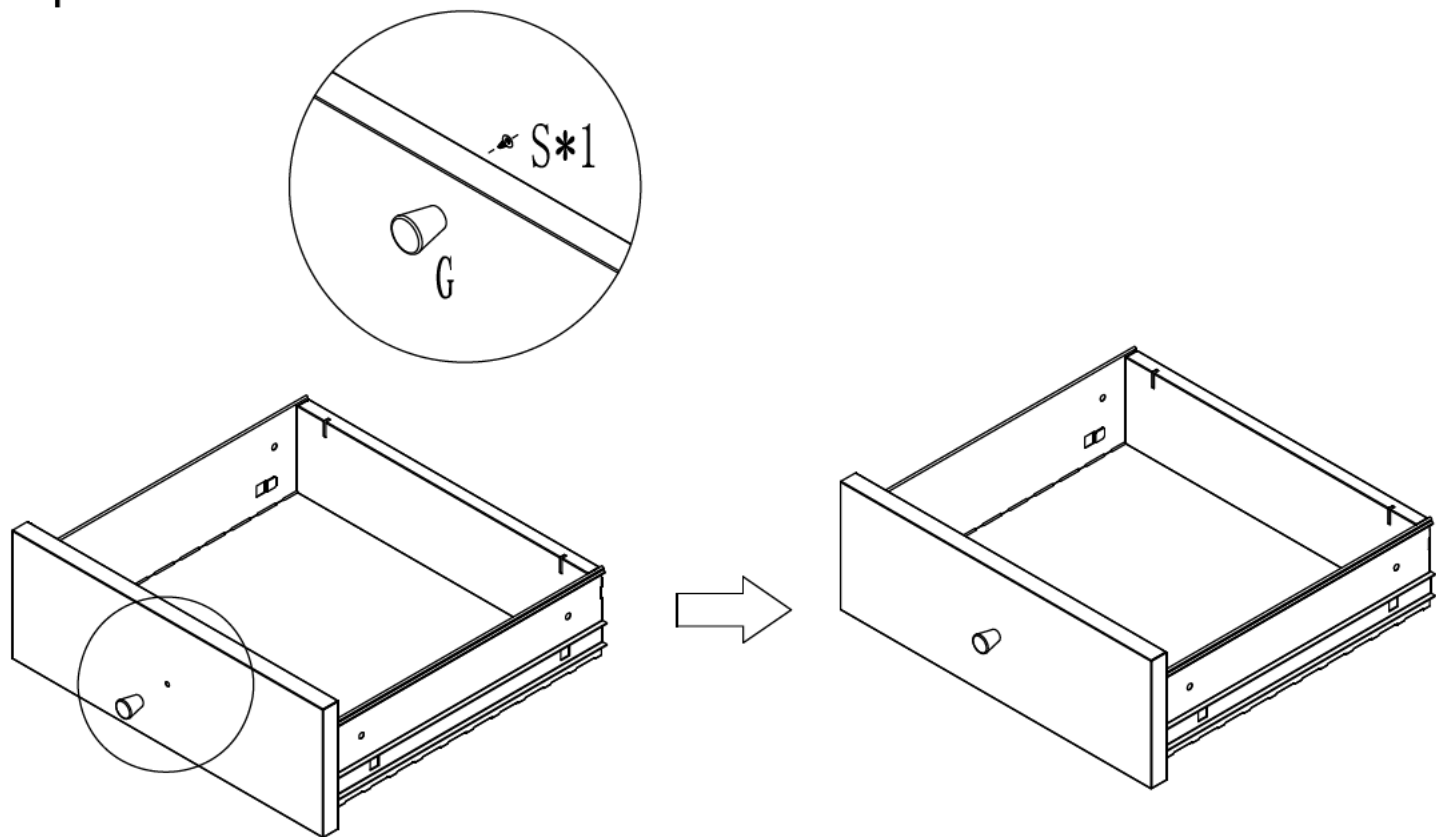
step12



step13

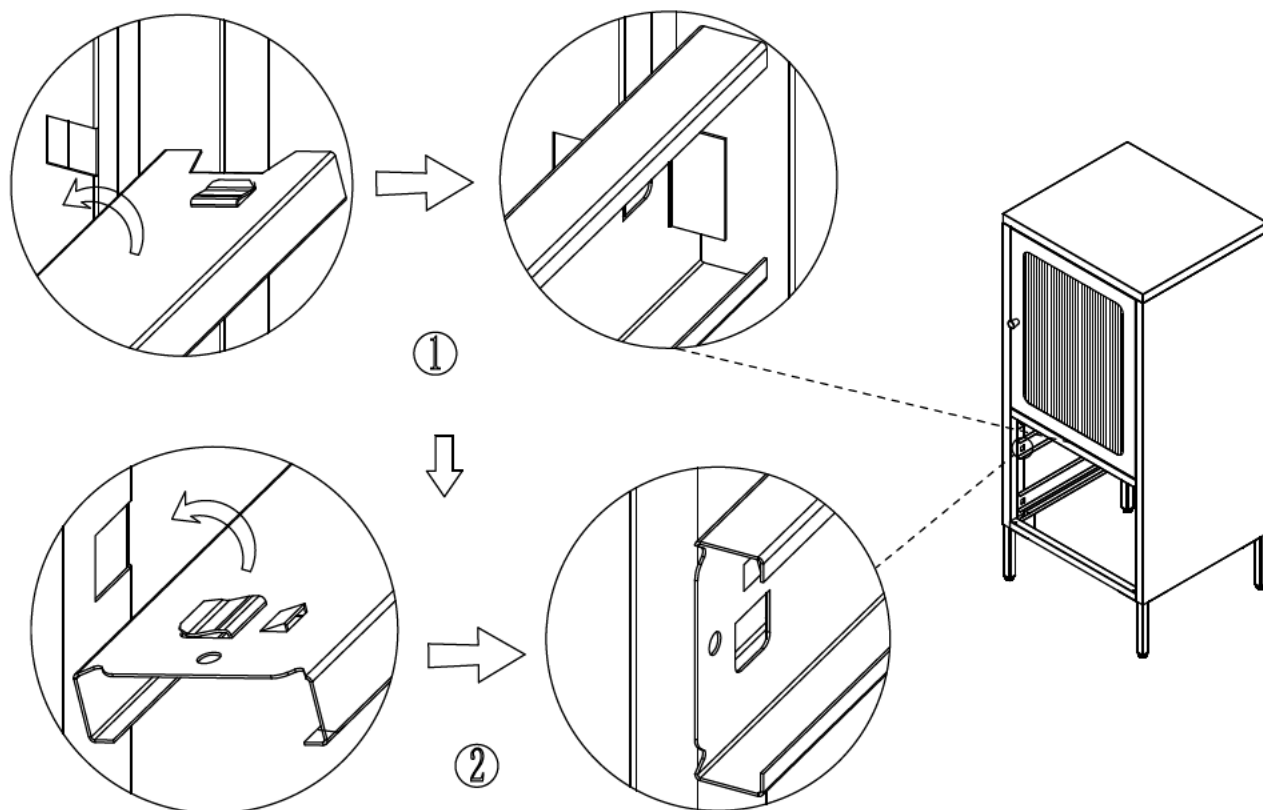


# step14

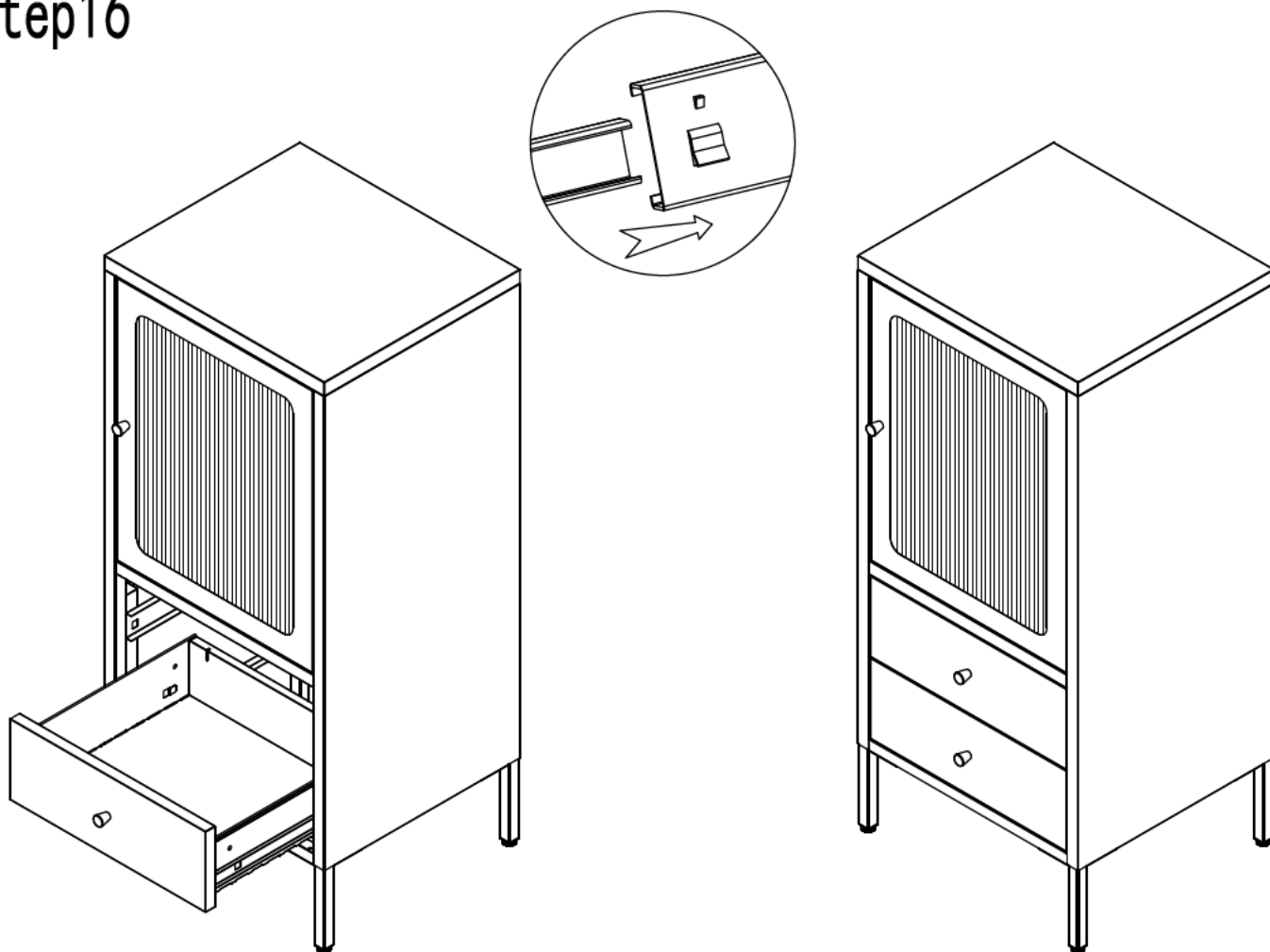


# step15

Note: Distinguish the left and right slides.



step16



step17

