






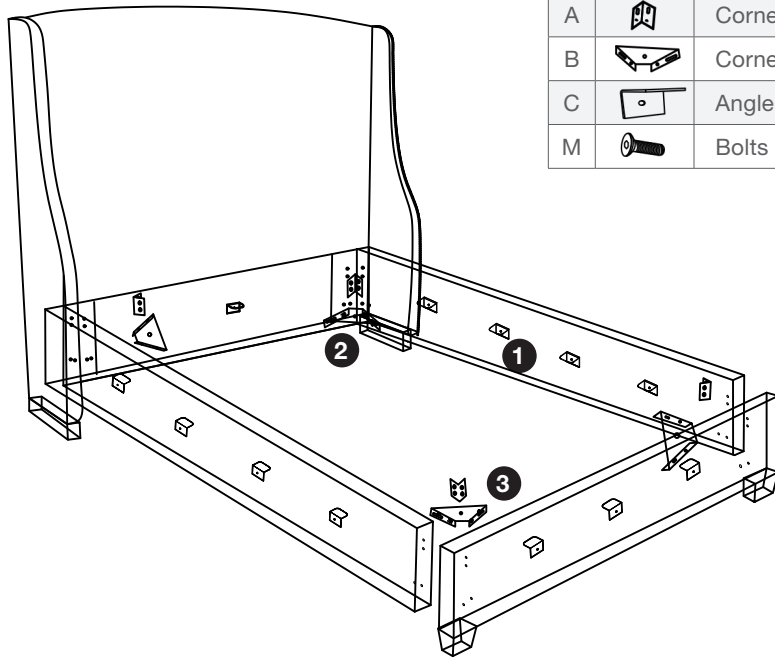


# ASSEMBLY INSTRUCTIONS | SLOAN UPHOLSTERED BED

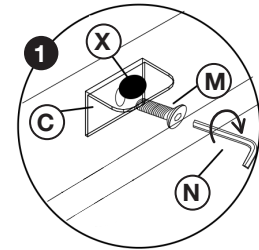
## HARDWARE CHECKLIST

A		Corner Brace (4pcs)	N		Allen Key (1pc)
B		Corner Brace (4pcs)	X		Black Cotton Pad (12pcs)
C		Angle Irons (12pcs)	Y		Stand - 22cm (2 or 3pcs)
M		Bolts 30*8mm (44pcs)			



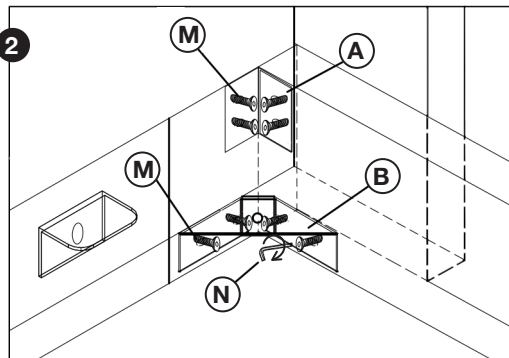
### Step 1

Install type C angle irons using type M bolts along the inside of the headboard, side rails and footboard. Then place type X cotton pads on top of type C angle irons



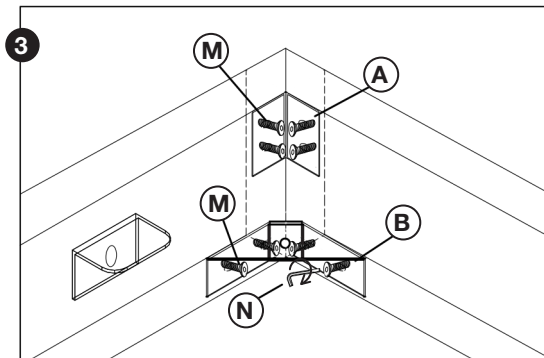
### Step 2

Install type A & B corner braces to connect the headboard to the right and left side rails



### Step 3

Use type A & B corner braces to connect the side rails and footboard



### Step 4

**For Queen Bed:** Place slats on top of angle irons. Install the 2pcs type Y stands to the middle of the slat. Type Y stand height can be adjusted further as needed.

**For Cal King & Std King Bed:** Place slats on top of angle irons. Install the 3pcs type Y stands to the middle of the slat. Type Y stand height can be adjusted further as needed.

