

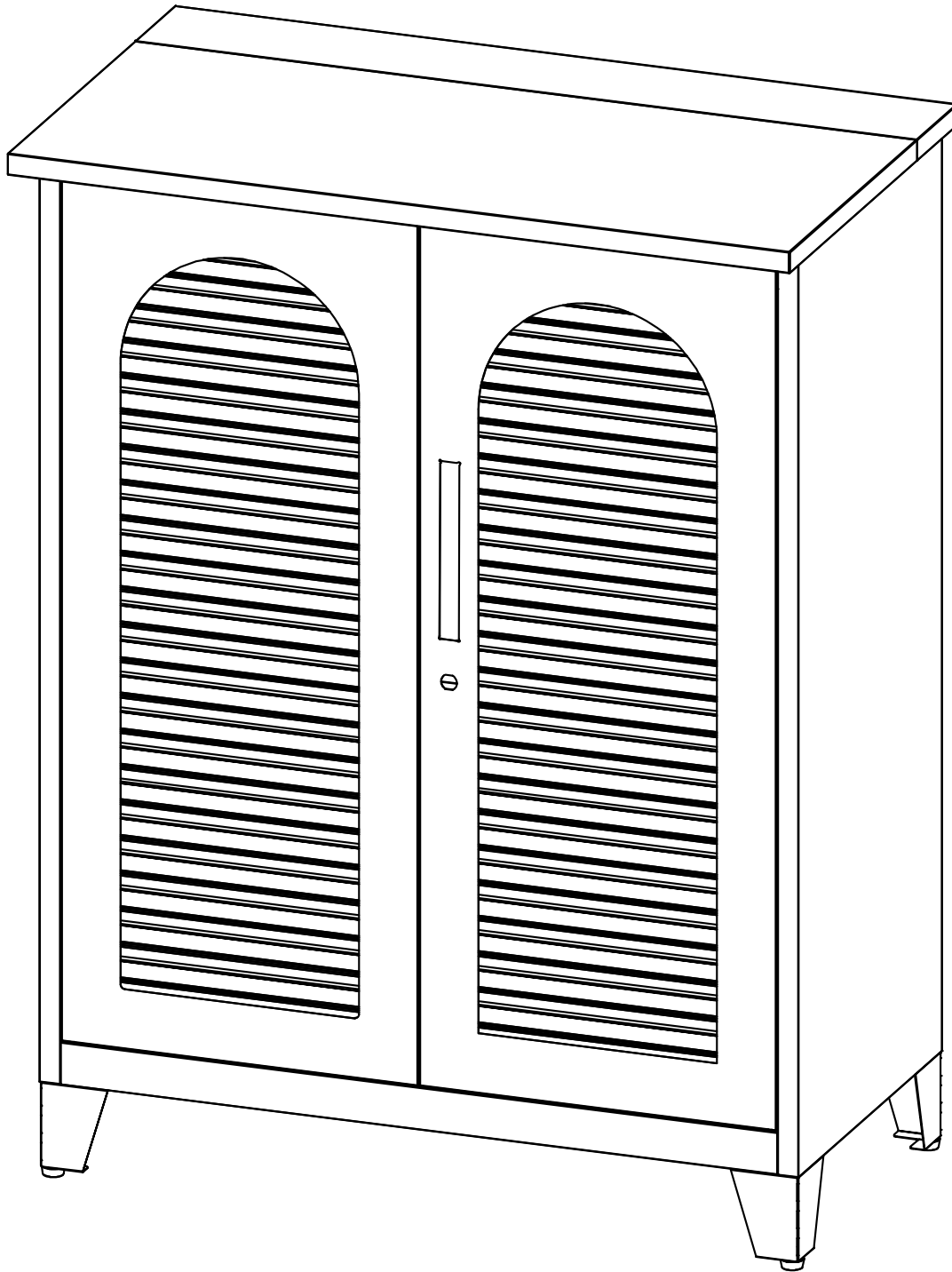
Assembling Guide

Thank you for choosing our product!



Assembling video

Search for
"1.2m Tool Cabinet"



2 PERS



30 MINS



Thank you for lighting up another coordinate of our product on the map. We are committed to creating high-quality home living, making every household filled with warmth and comfort.





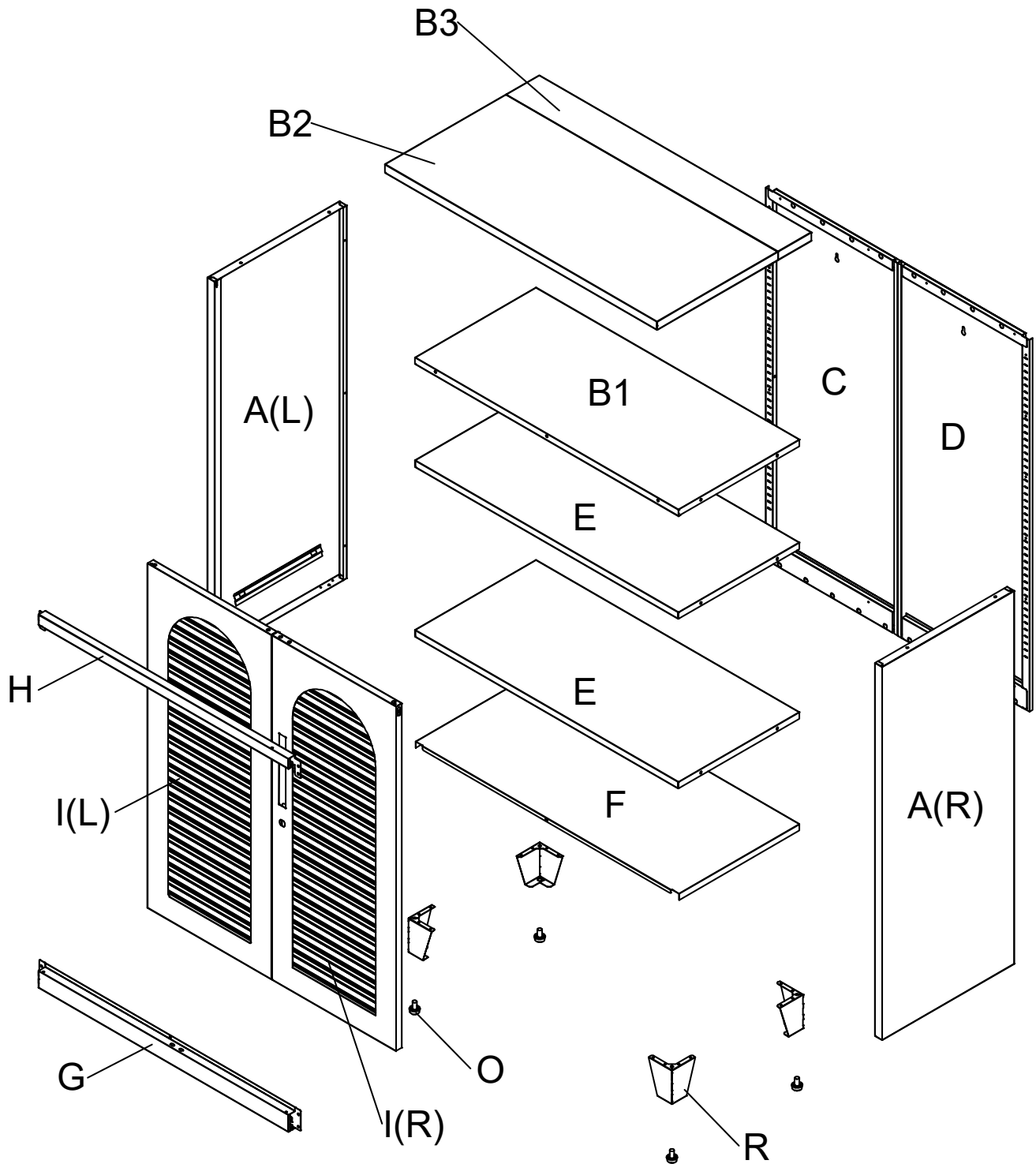
WARNING!

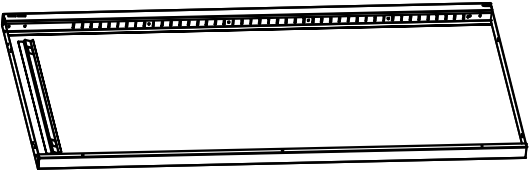
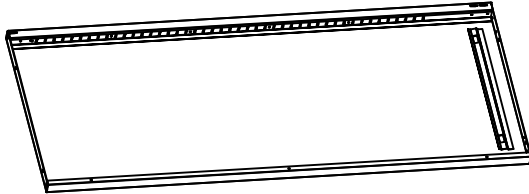
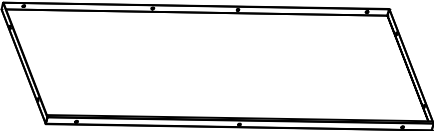



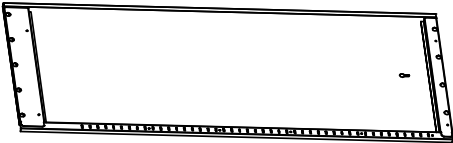

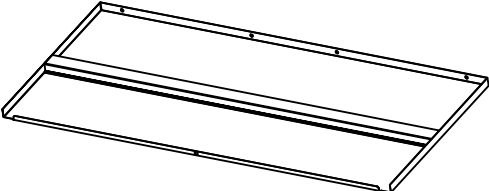


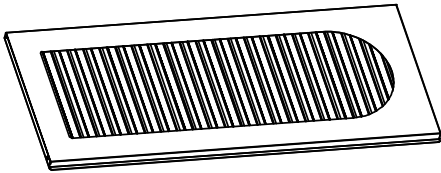
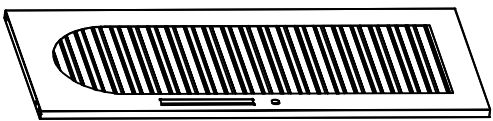
If furniture is tipped over, it may cause serious injury or even death. To prevent tip-over of this furniture, be sure to use it with the wall attachment devices provided. Use the appropriate screws and plugs for your wall.

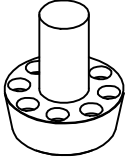
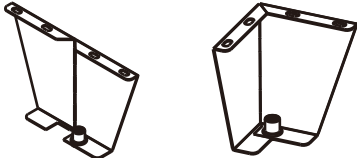
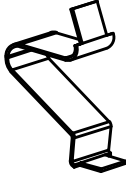
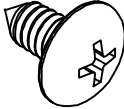
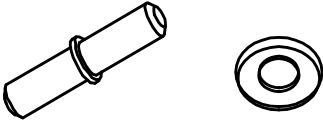
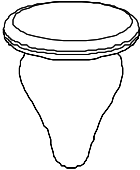
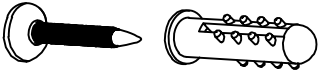
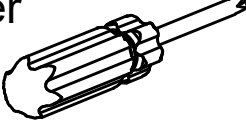
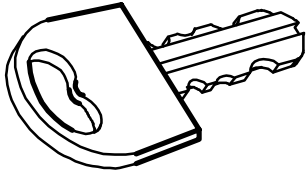
If the supplied wall attachment devices do not match the walls in your home, consult your local professional to use screws and plugs that fit your walls. Please read and follow each step in the instructions carefully.

Please pay attention to the iron corner protectors and cabinet parts inside the package. If the iron corner guard is damaged, you can just discard it; if you find any broken or damaged cabinet parts, please contact customer service

immediately for replacement. Sharp edges of metal parts can cause serious injury.



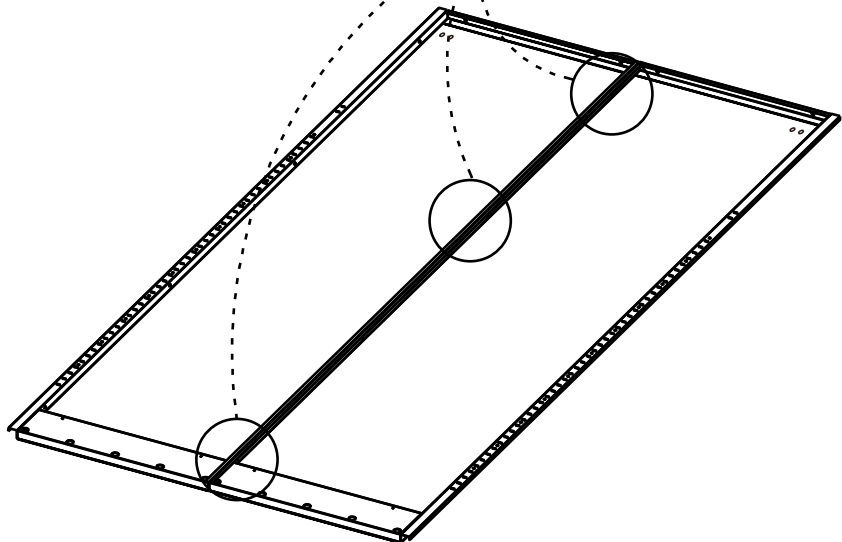
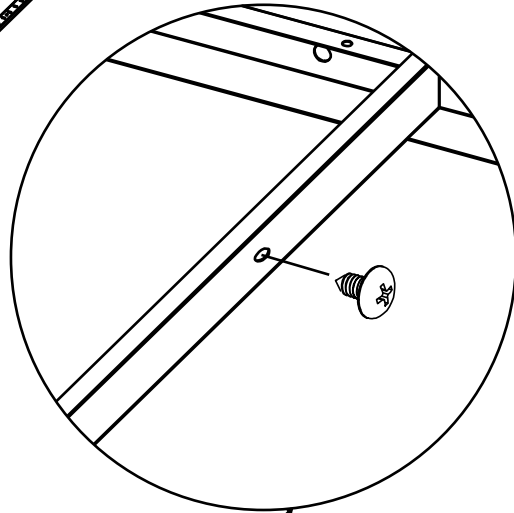
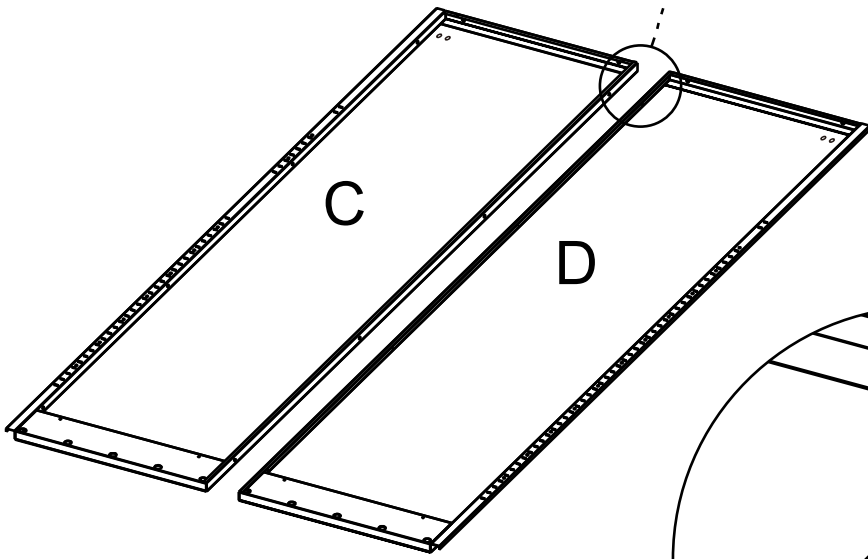
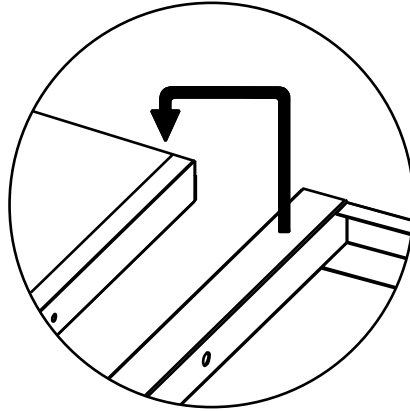
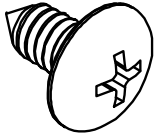
<p>A(L)x1 Left Panel</p> 	<p>A(R)x1 Right Panel</p> 
<p>B1x1 Inner Top Panel</p> 	<p>B2x1 Upper Front Top Panel</p> 
<p>B3x1 Upper Back Top Panel</p> 	<p>Cx1 Left Back Panel</p> 
<p>Dx1 Right Back Panel</p> 	<p>Ex2 Shelf</p> 
<p>Fx1 Bottom Panel</p> 	<p>Gx1 Bottom Frame Bar (Thicker)</p> 
<p>Hx1 Top Frame Bar (Thinner)</p> 	<p>I(L)x1 Left Door</p> 
<p>I(R)x1 Right Door</p> 	

<p>Ox 4 Adjustable Foot</p> 	<p>Rx 4 Foot Stand</p> 
<p>Tx 8 Shelf Clip</p> 	<p>Sx 47 Screw</p> 
<p>Yx 2 Hinge and Gasket</p> 	<p>Xx 2 Bumper Pad</p> 
<p>Vx 2 Expansion Screws</p> 	<p>Screwdriver</p>  <p>*It would be better if you could use power tools for installation.</p>
<p>Keys</p> 	

STEP 1 Install the back.

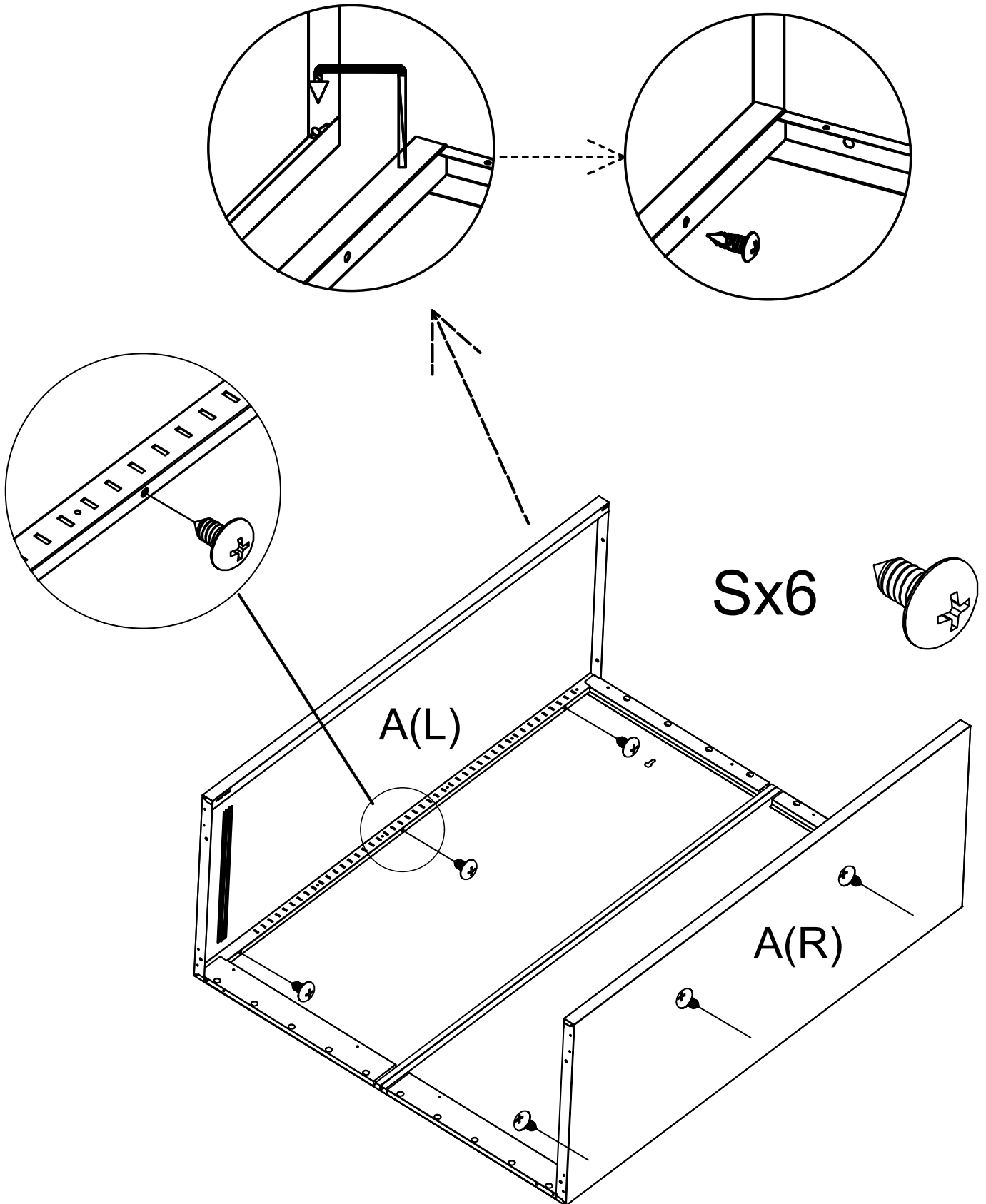
Attach D to C, and secure with 3 S screws.

Sx3



STEP 2 Install the sides.

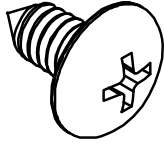
Attach A(L) and A(R) to the back, and secure with 6 S screws.



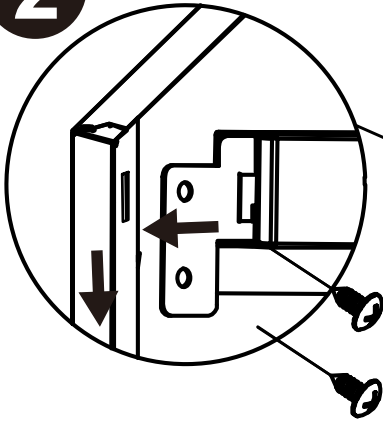
STEP 3 Install the top and bottom frame bar.

Hook in H and G into sides, and secure with 8 S screws.

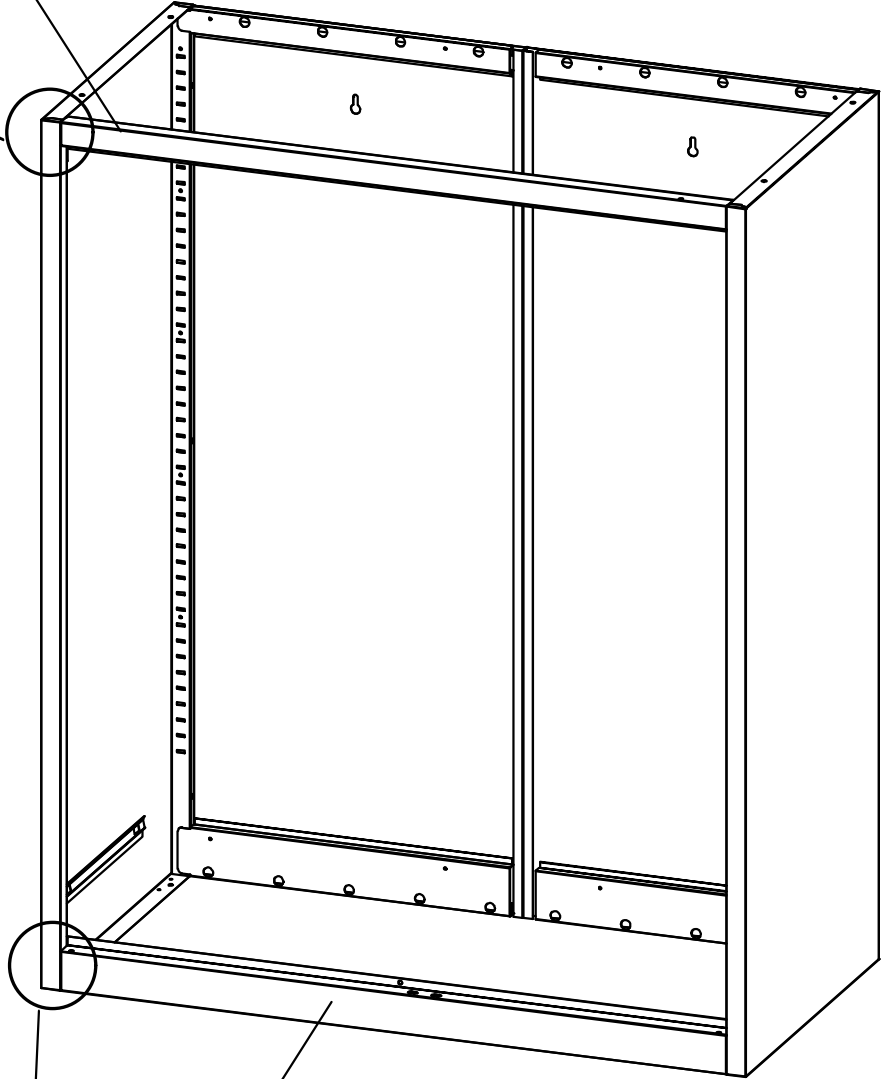
Sx8



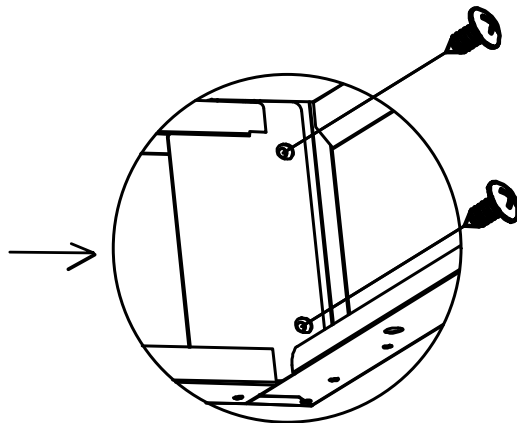
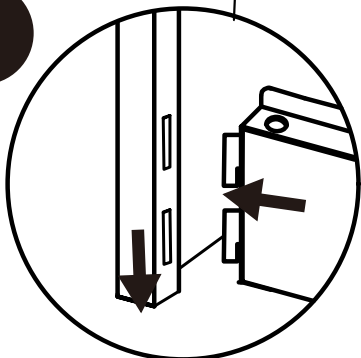
2



H

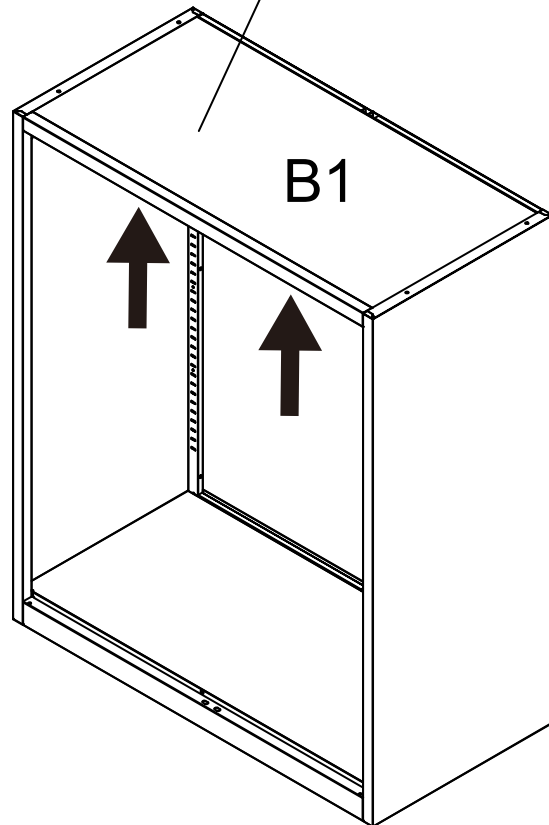
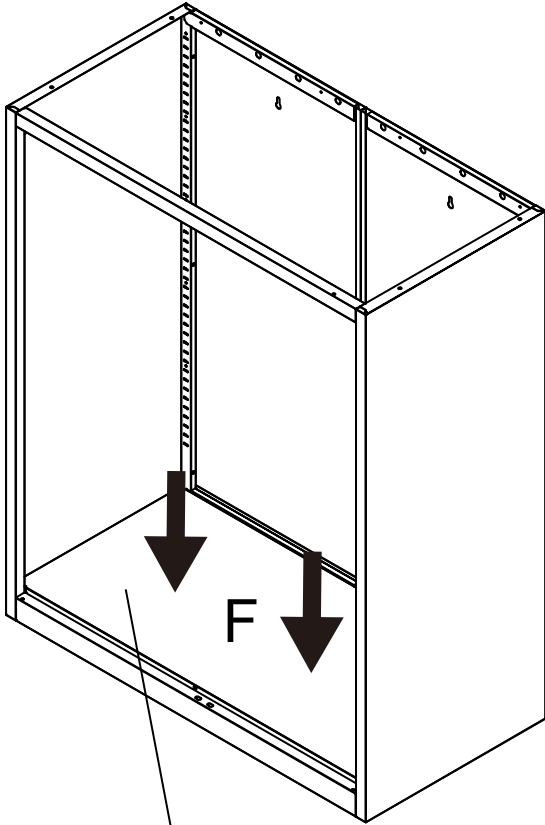


1



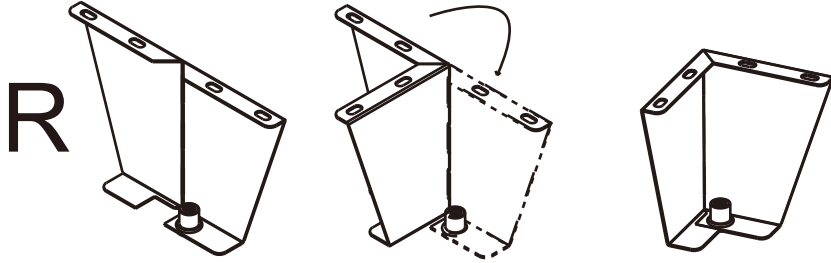
STEP 4 Install the top and bottom panels .

Put F in, lift B1 up and secure with 11 S screws.



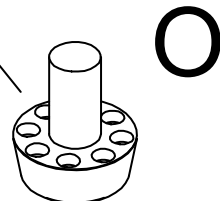
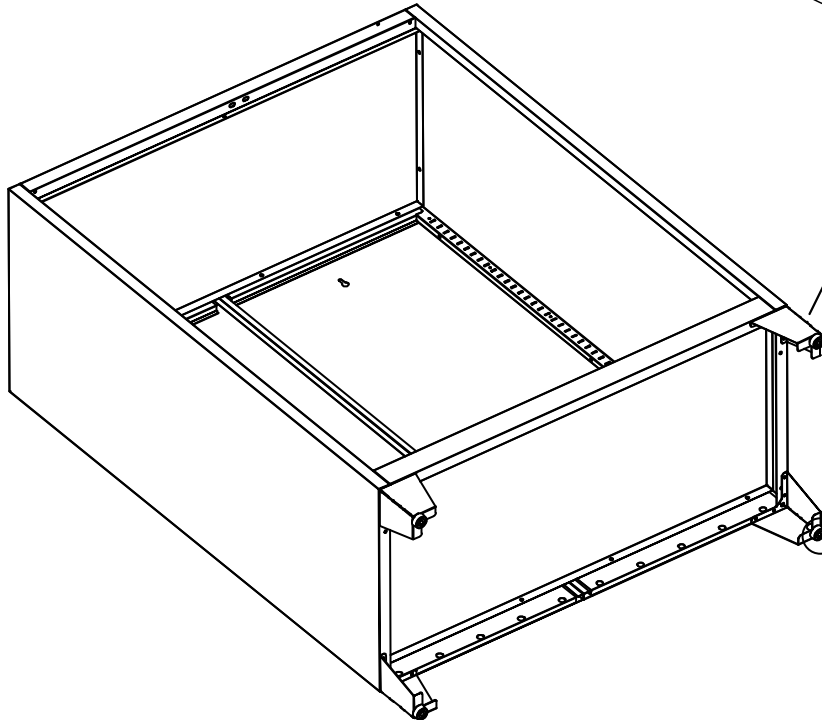
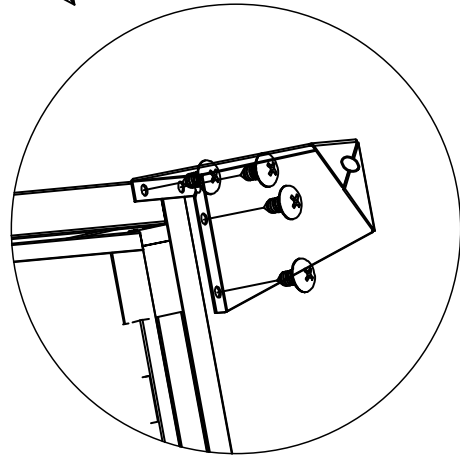
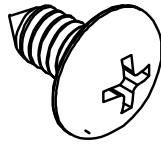
STEP 5 Install the foot stand and adjustable foot.

If the height is perfect for you, then no need to install the feet, you can skip this step.



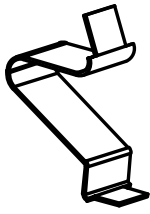
Manually bend the standing foot into shape and twist the adjustable foot in.

Sx16



STEP 6 Install the shelf.

T x8

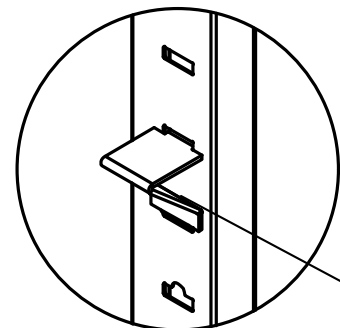
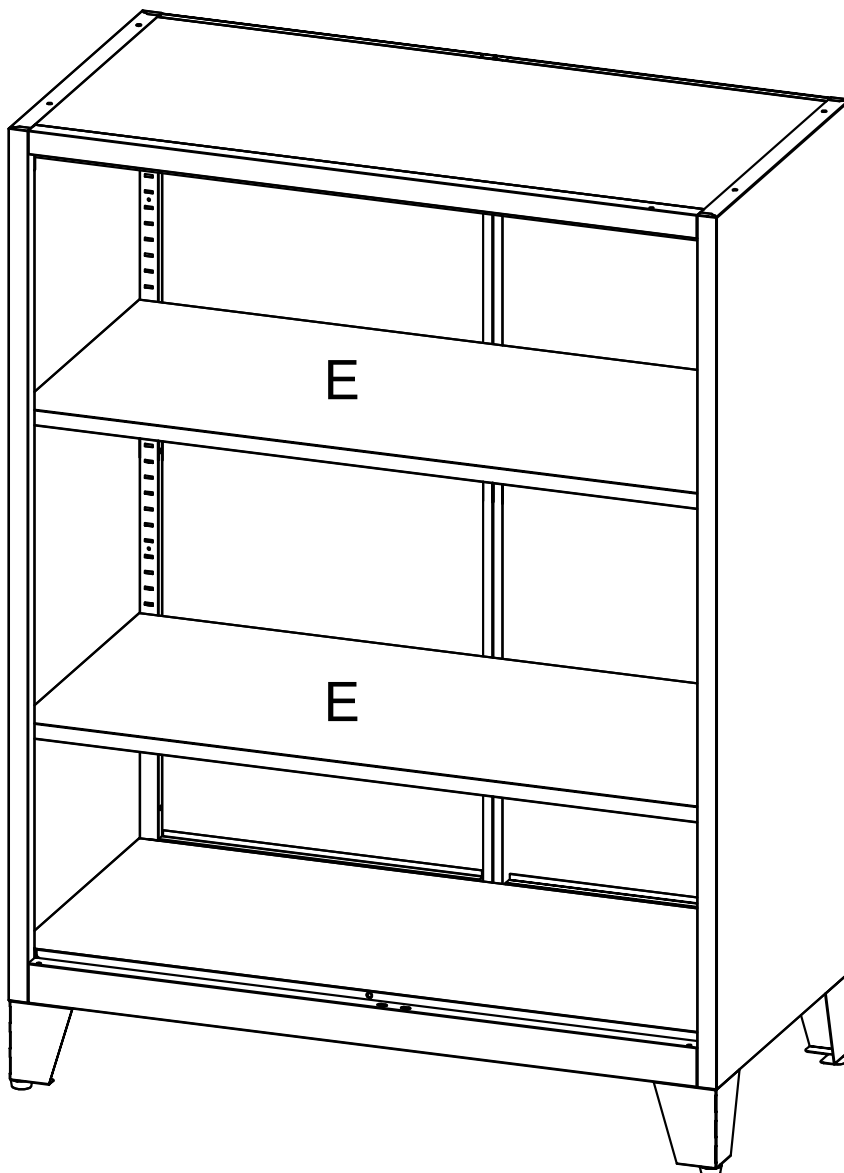
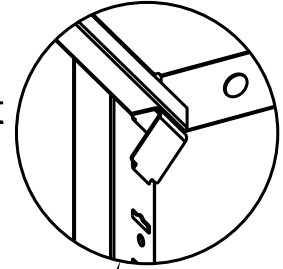


First to clip T in and then put E on it.

1. Insert bending side first
2. Fall down the flat side to secure



3. Now shelf can safely sits on it



Tx8

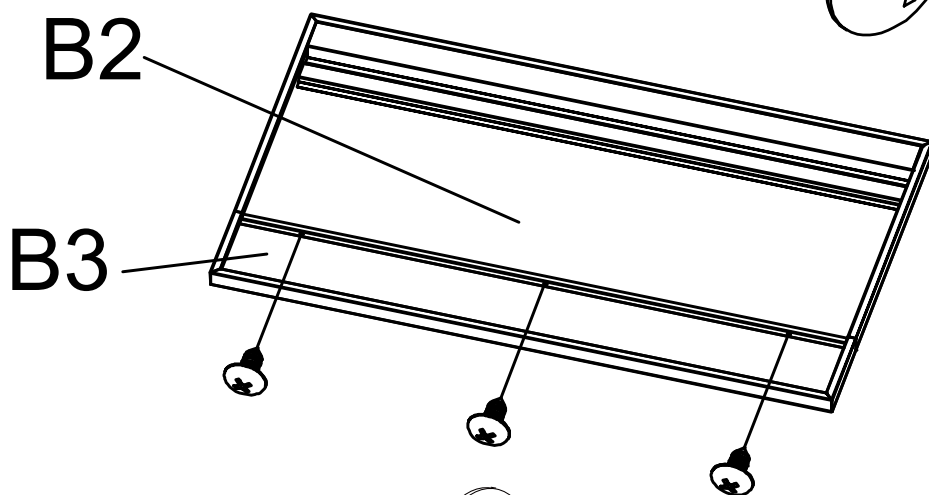
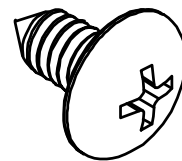
Make sure the clips at 4 corners are at the same height.

STEP 7 Install the upper panels.

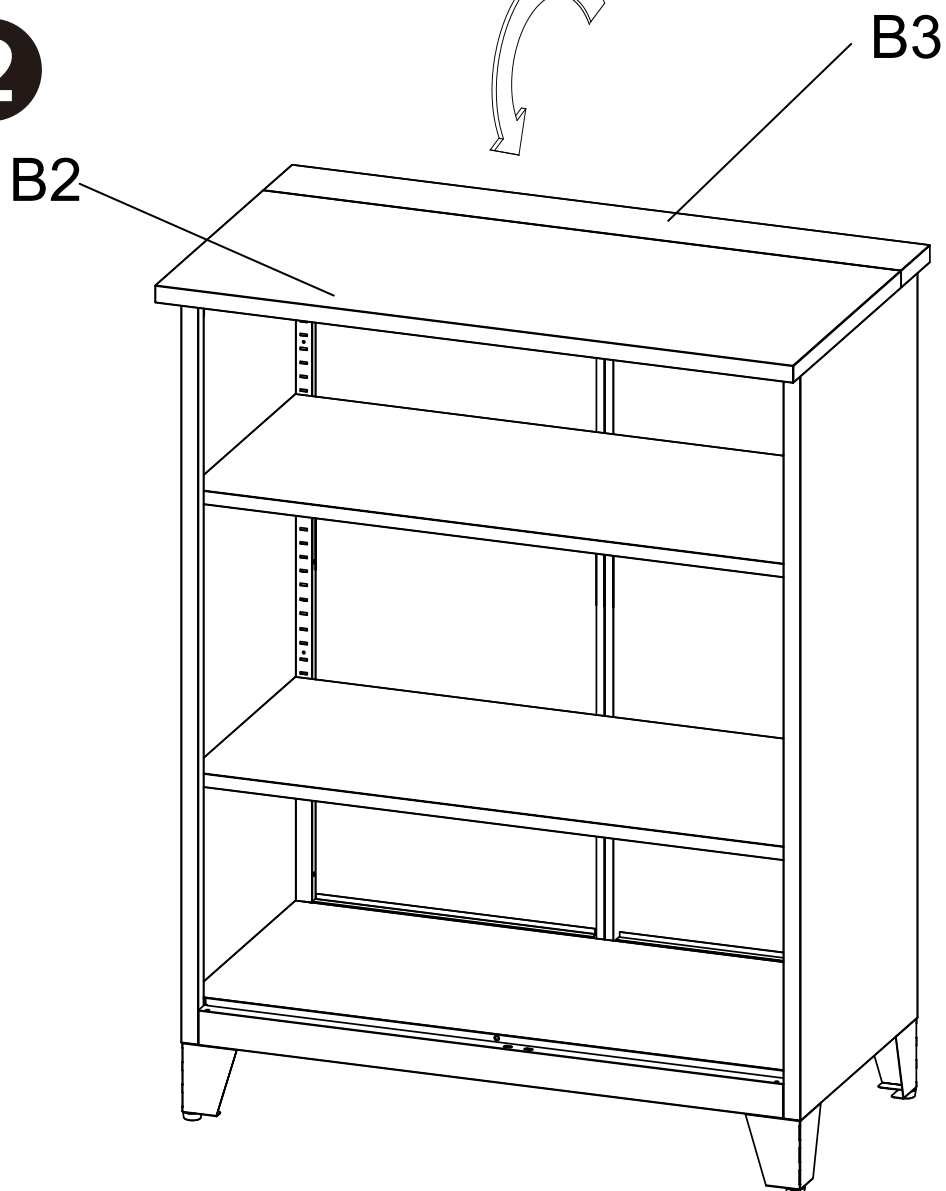
Connect B2 and B3 with 3 S screws, then put on top of B1

1

Sx3



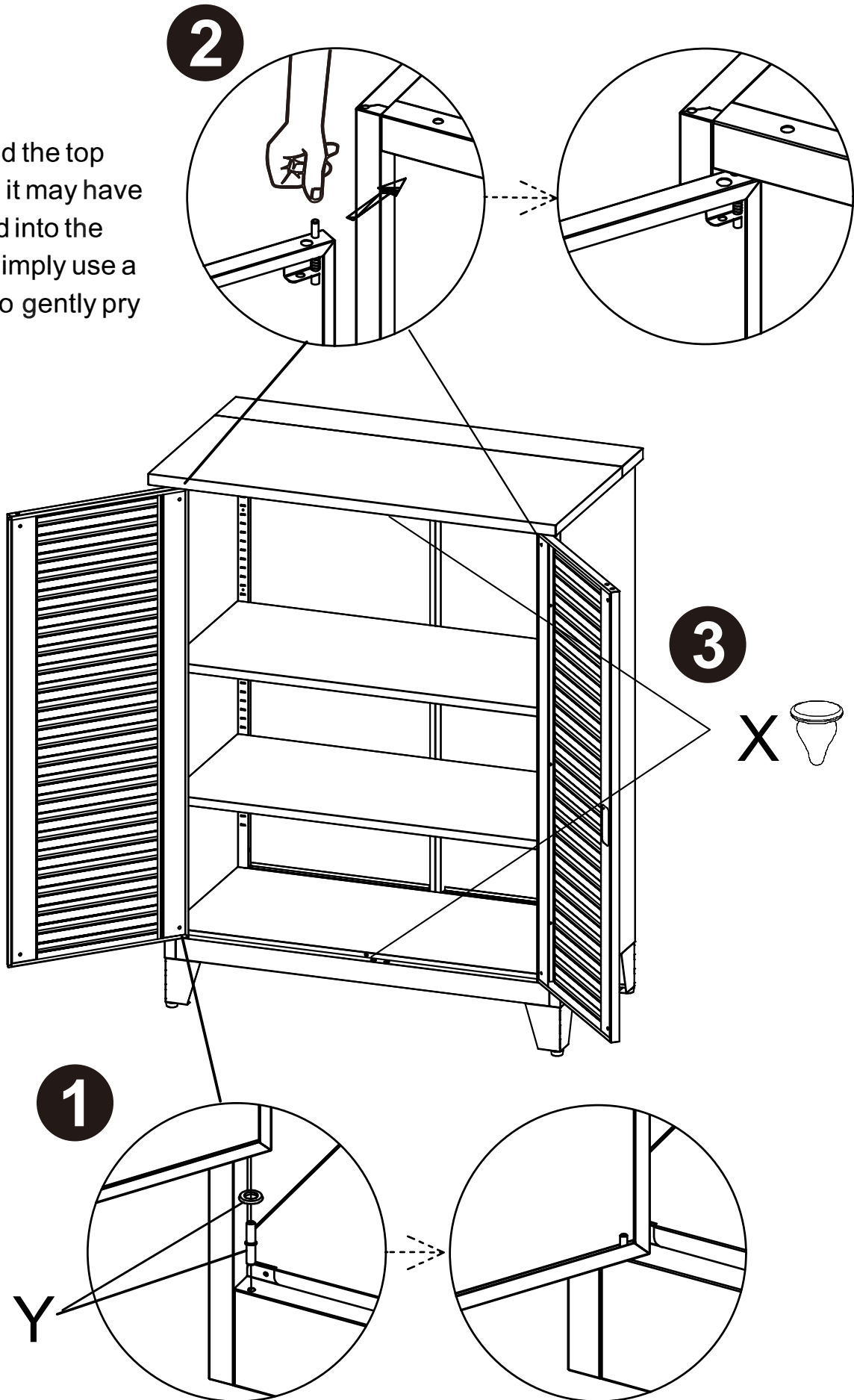
2



STEP 8 Install the Doors.

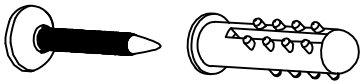
1. First to insert Y (you may need to add 1-2 gaskets) into the holes on bottom frame bar.
2. Then press down the top hinge spring to put the I(L)&I(R) in.
3. Put X into the panels.

If you can't find the top hinge spring, it may have been pressed into the door frame. Simply use a screwdriver to gently pry it out.

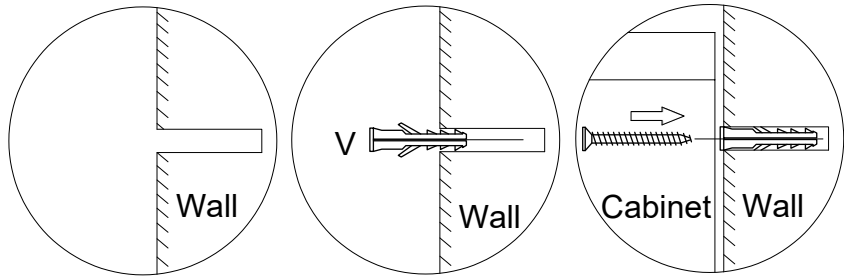


STEP 9 Install the expansion screws.

The cabinet can be fixed to the wall as needed.



V x2



1. Drill holes on the wall
2. Insert V
3. Fasten the screw from cabinet

