

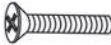








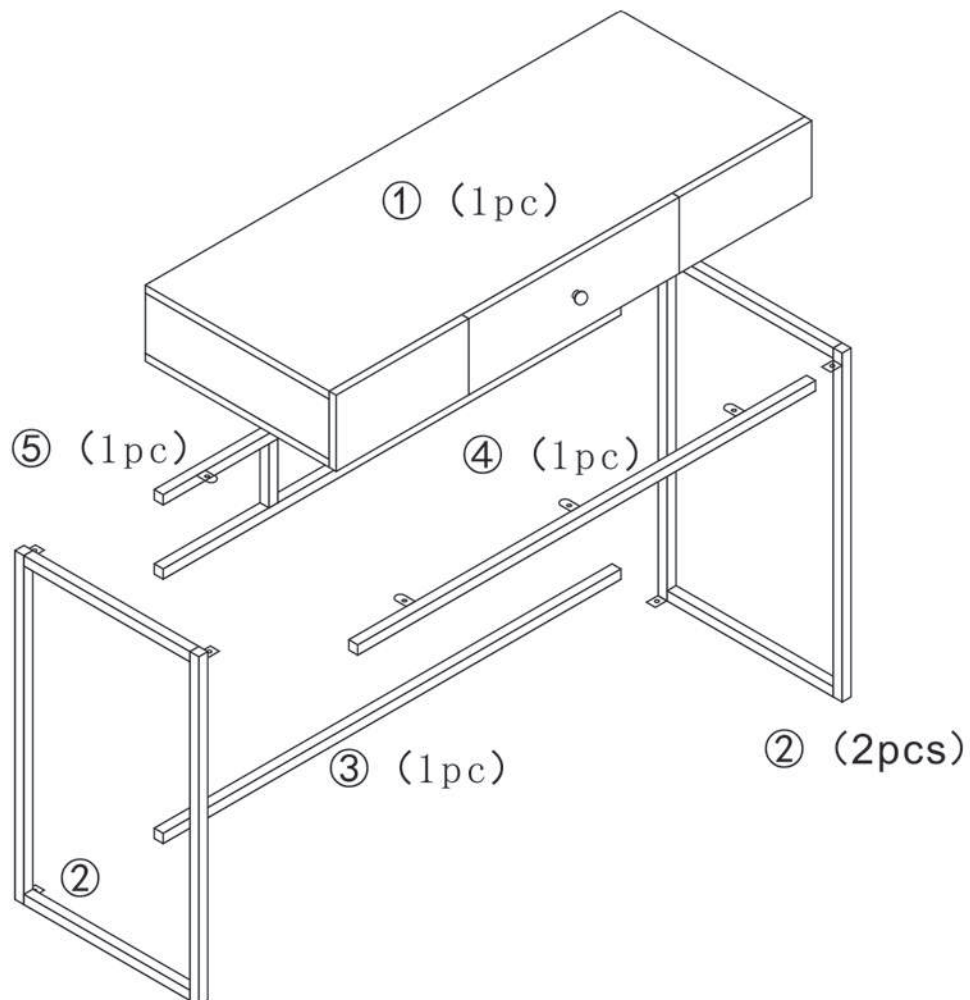


Hardware List

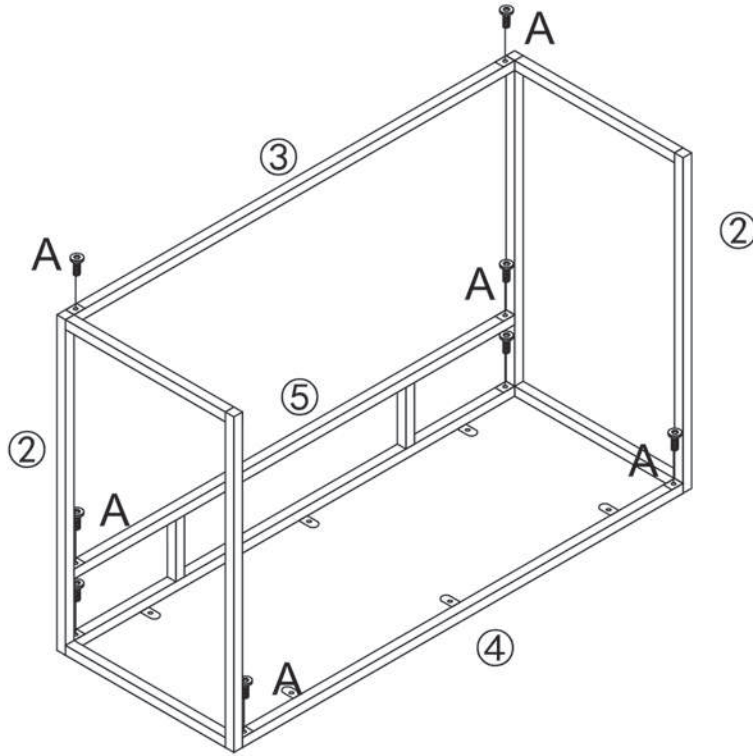
A 	B 	C 	D 
Sort Allen Screw (8pcs)	Allen wrench (1pc)	Screw(3pcs)	Knob(3pcs)
E 	F 	G 	H 
Sleeve (3pcs)	Eyelet screwr (2pcs)	Anchor (2pcs)	Long allen screw and washer (6pcs)
I 	J 	K 	
Polishing cloth (1pc)	Cable tie (2pcs)	Plastic foot (4pcs)	

Panel List



Step 1

1. Connect the back frame ⑤ side frames ② bottom metal tubes ③ and top metal tubes ④ with short allen screws (A) and allen wrench (B)
2. Please face down the unit on the carpet or soft surface to avoid scratch the paint.



A



Sort Allen Screw (8pcs)

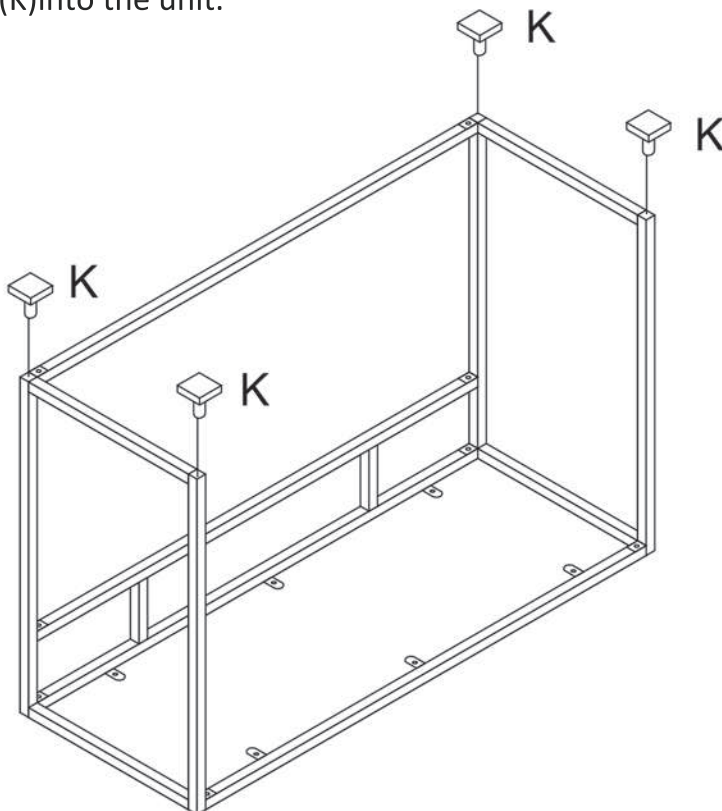
B



Allen wrench (1pc)

Step 2

*Put feet (K) into the unit.



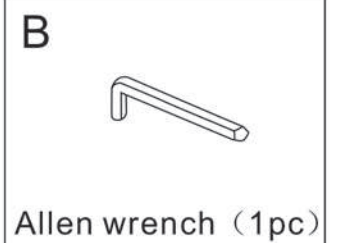
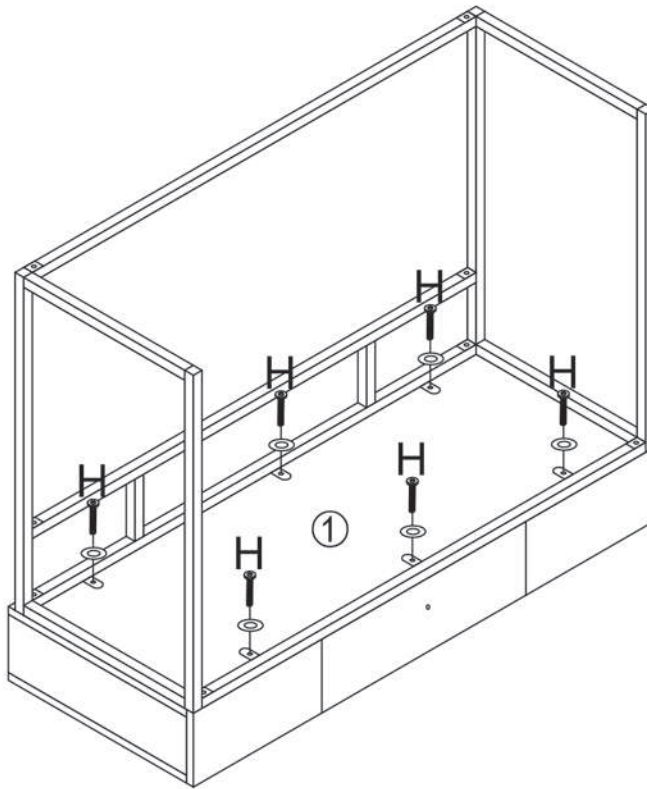
K



Plastic foot (4pcs)

Step 3

1. Please place face down the top on carpet or soft surface.
2. Connect the Top ① to assembly using long allen screws and washer(H) and allen wrench(B).



Step 4

1. Drill holes slightly smaller than anchors(G) into drywall and gently tap anchors into holes.
2. Insert eyelt screws(F) into anchors and fasten unit to wall using cable ties(J).

