

ASSEMBLING & INSTALLATION INSTRUCTIONS PRODUCT

For Wall Mount Fixture

WARNING! SHUT POWER OFF AT FUSE OR CIRCUIT BREAKER .
AVERTISSEMENT! COUPER LE COURANT AU NIVEAU DES FUSIBLES OU DU DISJONCTEUR.

MOUNTING THE FIXTURE

INSTALLATION(Fig.1)

1. Shut off the power at the circuit breaker and remove the old fixture from ceiling, including the old crossbar.
 2. Carefully unpack the new fixture and lay all the parts on a clear surface.
 3. Thread the two mounting screws about 1/4" into the pre-drilled holes in the mounting plate, spaced about the same distance apart as the holes in the fixture back plate. Attach the mounting plate to the junction box using two junction box screws. The side of the mounting plate marked "GND" must face out.
- The junction box is not included.**
4. Guide fixture wires through hole in center of mounting plate.
 5. Follow wiring instructions carefully (see fig.2)
 6. Mount fixture by aligning mounting holes in fixture back plate with mounting screws and threading ball nuts (E) onto mounting screws.
 7. Place the tube (C) over the socket of the fixture body (D).
 8. Install the light bulb (not included) in accordance with the fixture's specifications: **DO NOT EXCEED THE MAXIMUM WATTAGE RATING! (NE PAS DEPASSER LA PUISSANCE NOMINALE MAXIMALE!)**
 9. Hook the end of long crystals (B) to the bottom loop of the column (A) and the top hole of the fixture body (D).
 10. Hook the end of short crystals (F) to the bottom hole of the fixture body (D) and the top hole of the column (J).
 11. Hang the crystals (I) to the top hole of the column (A). Hang the crystals (H) to the bottom hole of the column (J). Hang the crystals (G) to the middle hole of the column (J).

WIRING (Fig.2)

1. Connect the electrical wires as follows. Connect the black wire from the fixture to the black house (hot) wire. Connect the white wire from the fixture to the white (neutral) house wire. Make sure all wire nuts are secured. You may wrap the connections with electrical tape. If your outlet box has a ground wire (green or bare copper) connect fixture's ground wire to it. Otherwise attach the bare copper fixture wire to the green ground screw on the mounting plate.
2. Tuck the wire connections neatly into the wall junction box.

Fig.1

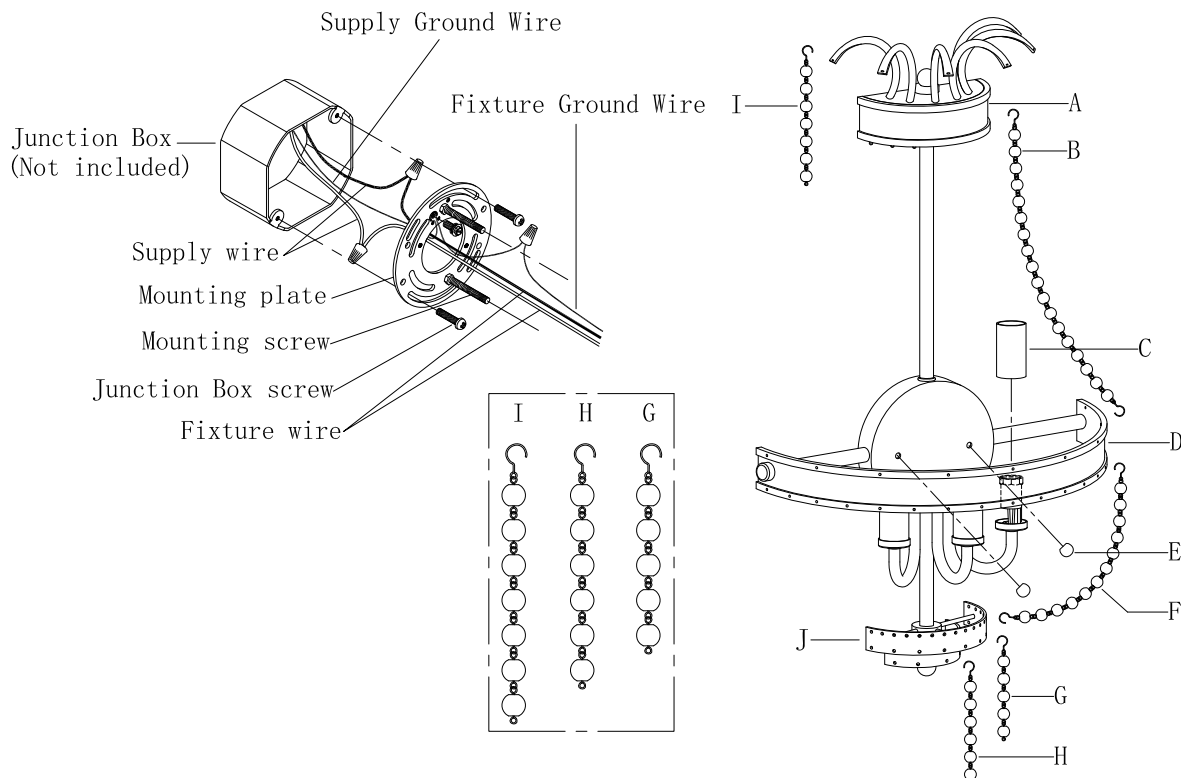


Fig.2

