

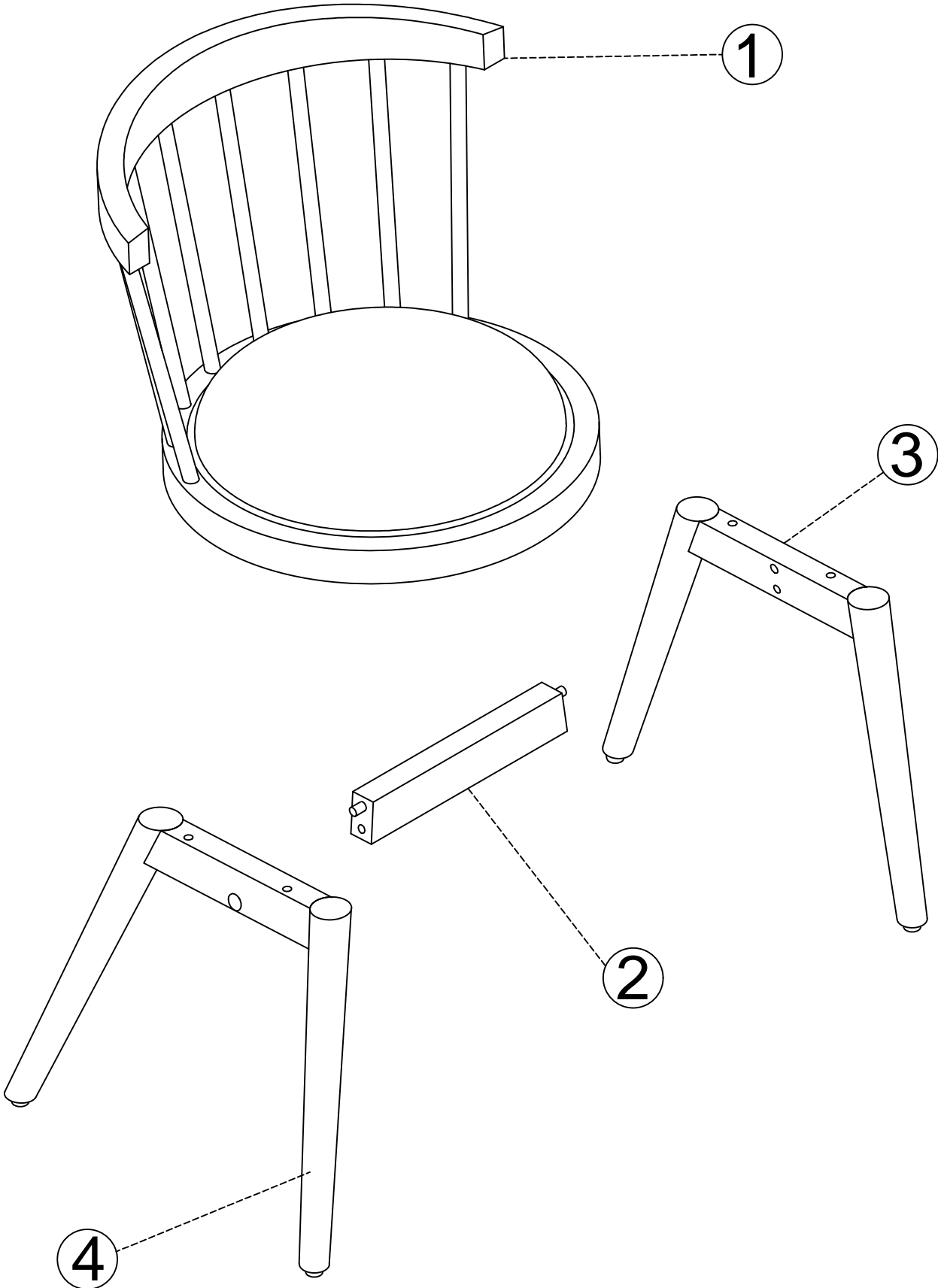
Attention: Do not tighten the bolts and screws before the allen bolts are in place

USER'S MANUAL

Dining Chair

20NDVNSC01-BK

DETAIL:



BEFORE YOU GET STARTED, A FEW POINTS



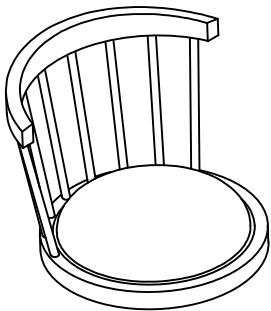
Having a friend to help makes assembly extra-easy



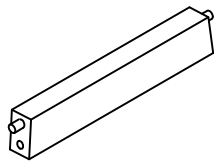
Mind the important safety information

PLEASE MAKE SURE ALL THE PARTS ARE INCLUDED

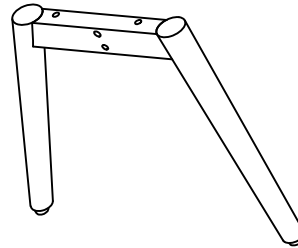
① X 1



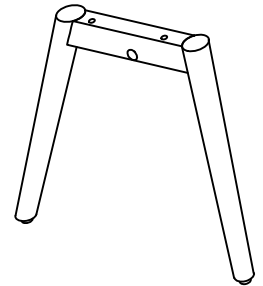
② X 1



③ X 1



④ X 1



A



Bolts
5/16"x50mm
(4pcs)

B



Spring Washer
Ø8"*13x1.5mm
(4pcs)

C



Flat Washer
Ø8"*16x1.5mm
(4pcs)

D



Bolts
1/4"x40mm
(2pcs)

E



Spring Washer
Ø6"*11x1.5mm
(2pcs)

F



Flat Washer
Ø6"*16x1.5mm
(2pcs)

G



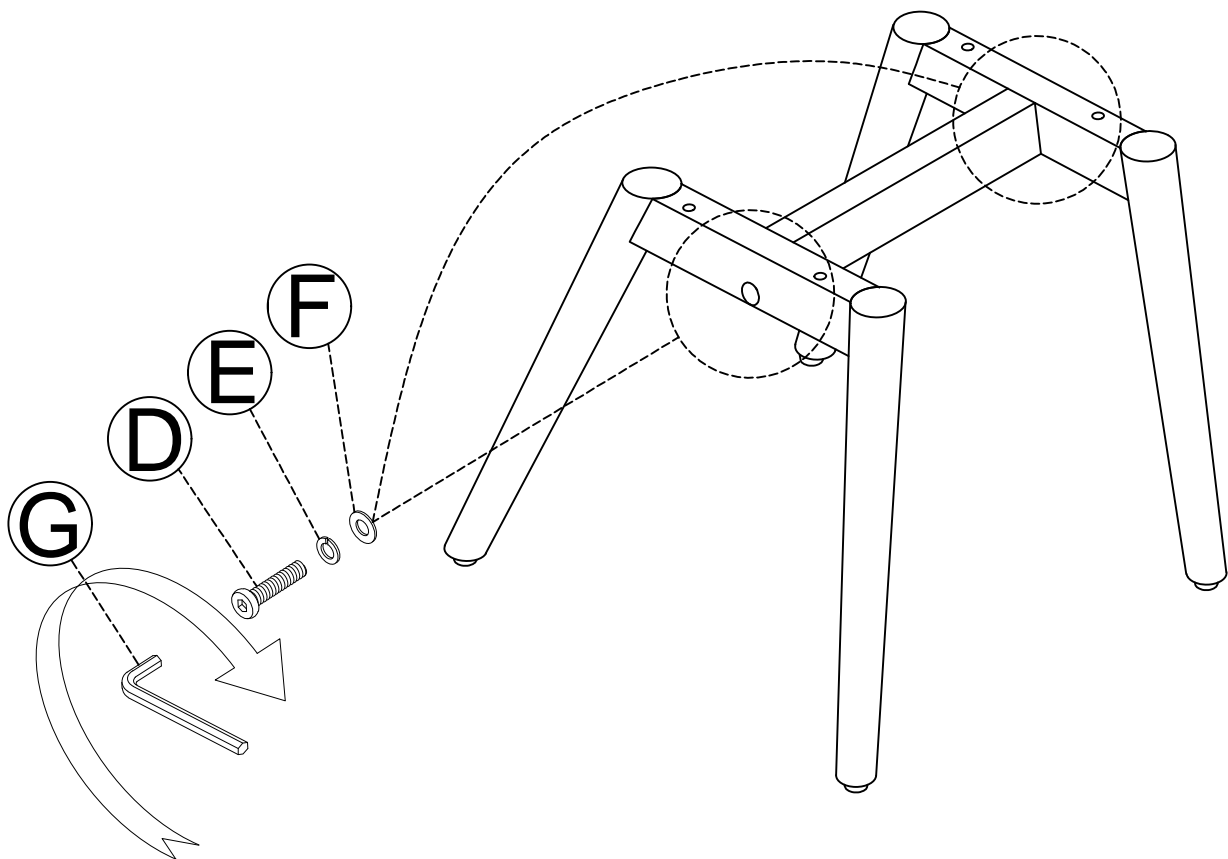
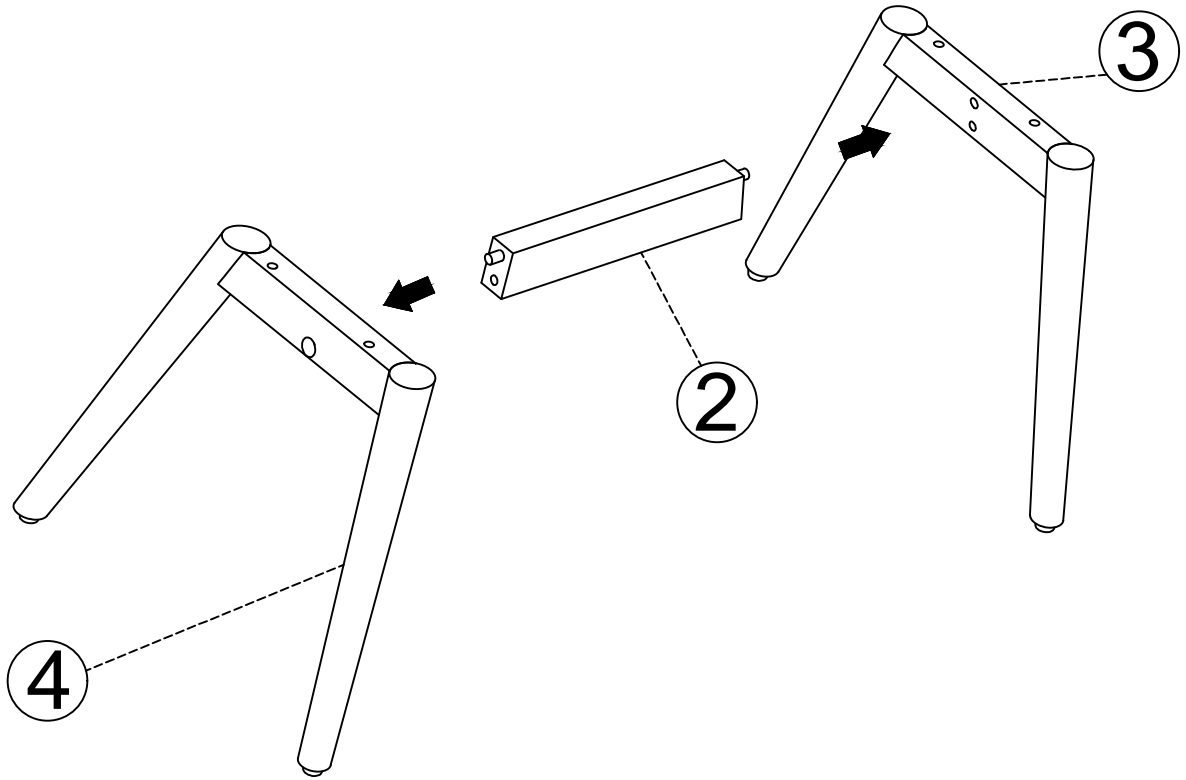
Allen Key
M4x60mm
(1pc)

Missing parts?  hyltech@outlook.com

ASSEMBLY INSTRUCTIONS - ATTENTION

Step 1:

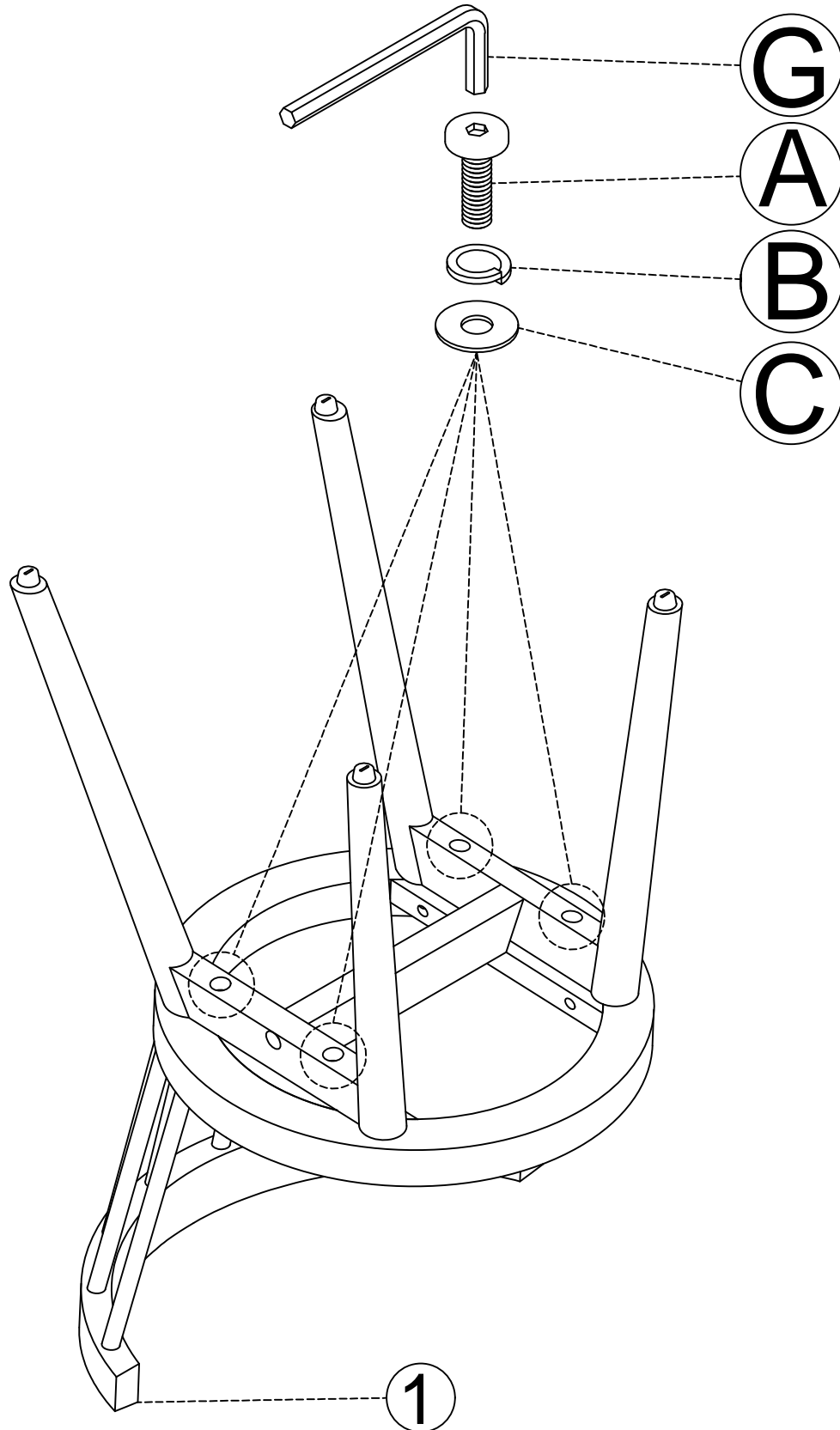
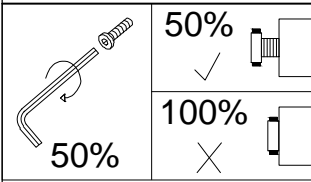
Place all parts on a clean, scratch-free surface.



ASSEMBLY INSTRUCTIONS - ATTENTION

Step 2:

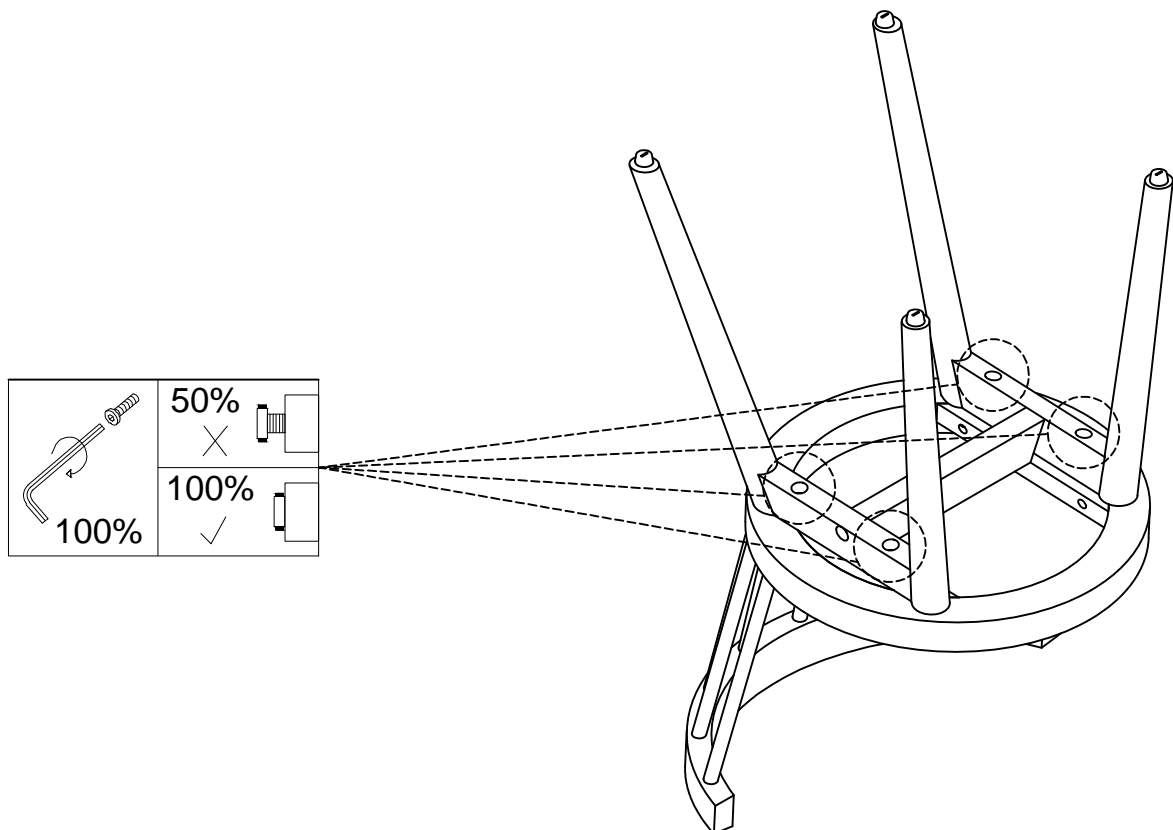
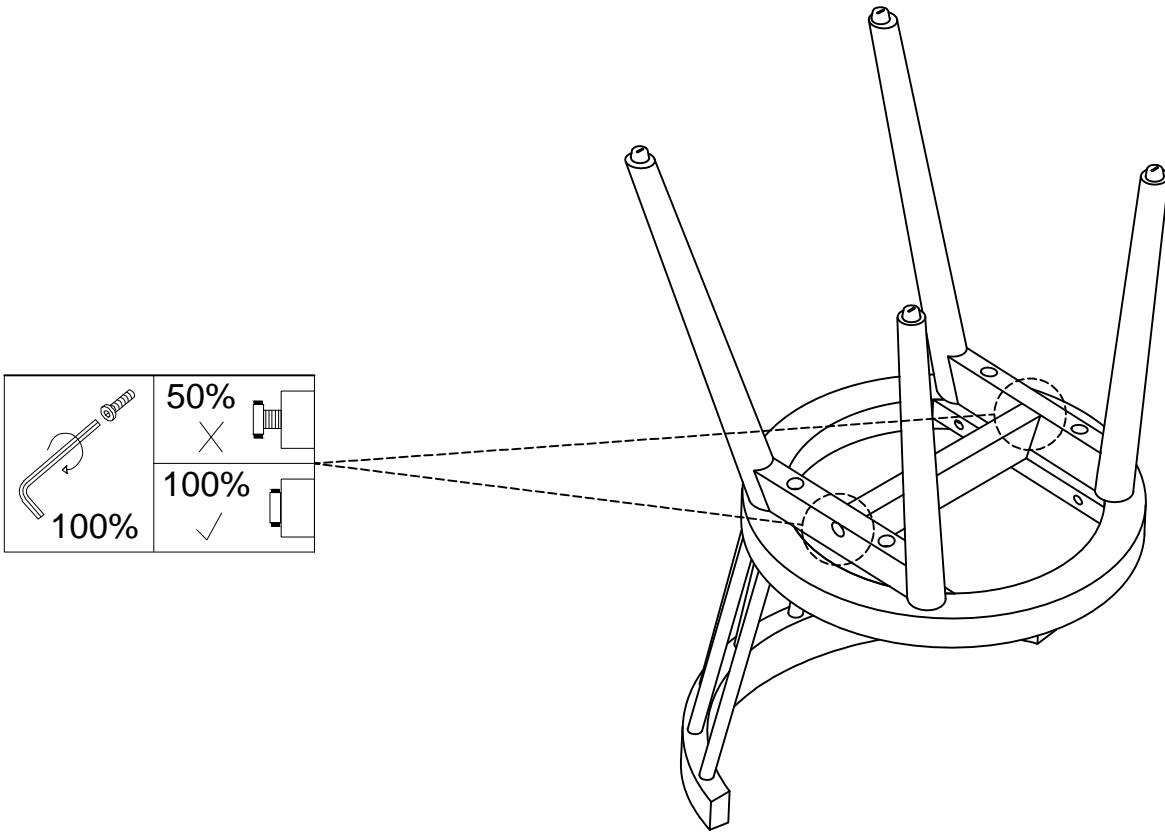
Place all parts on a clean, scratch-free surface.



ASSEMBLY INSTRUCTIONS - ATTENTION

Step 3:

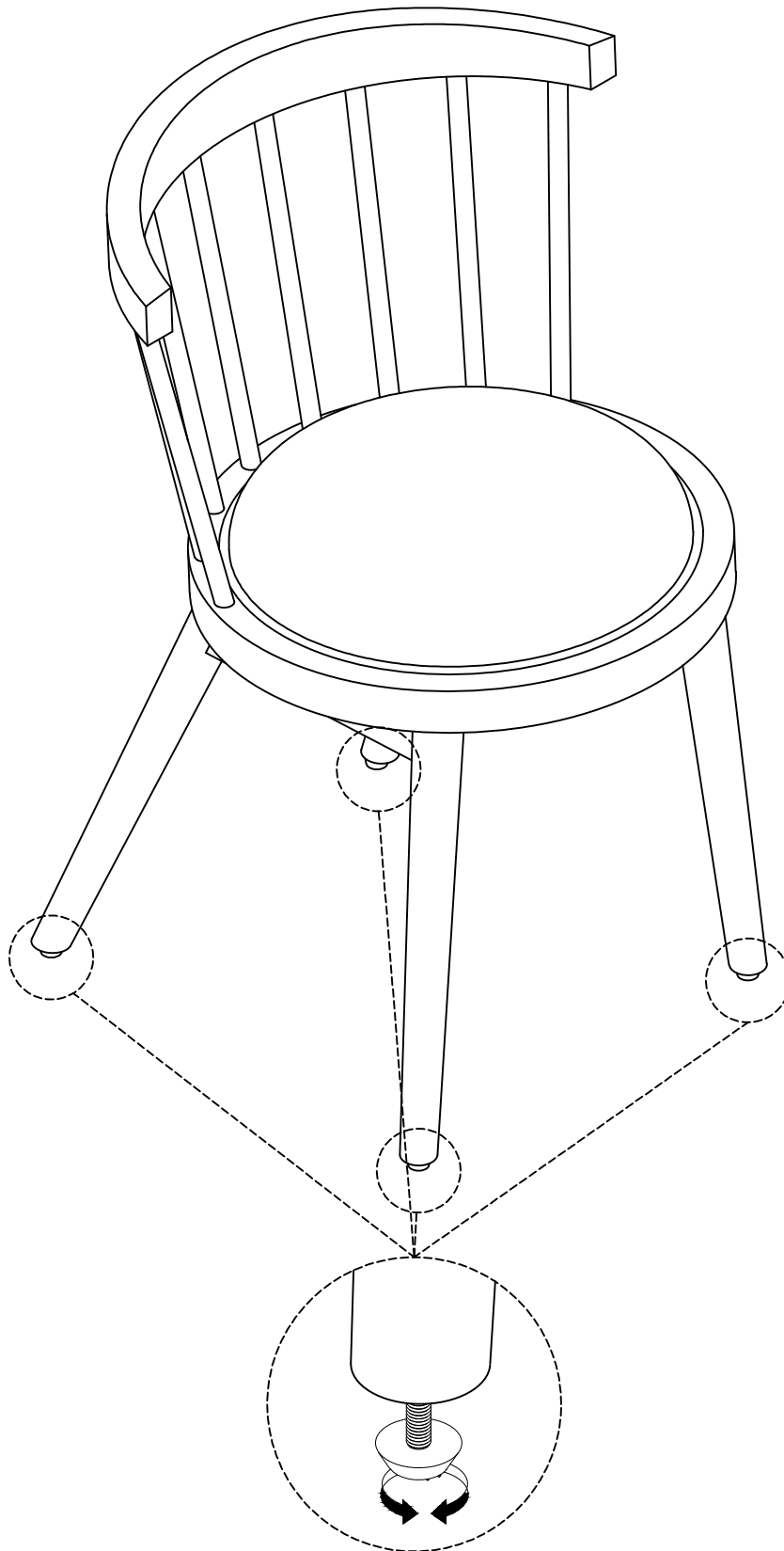
Place all parts on a clean, scratch-free surface.



ASSEMBLY INSTRUCTIONS - ATTENTION

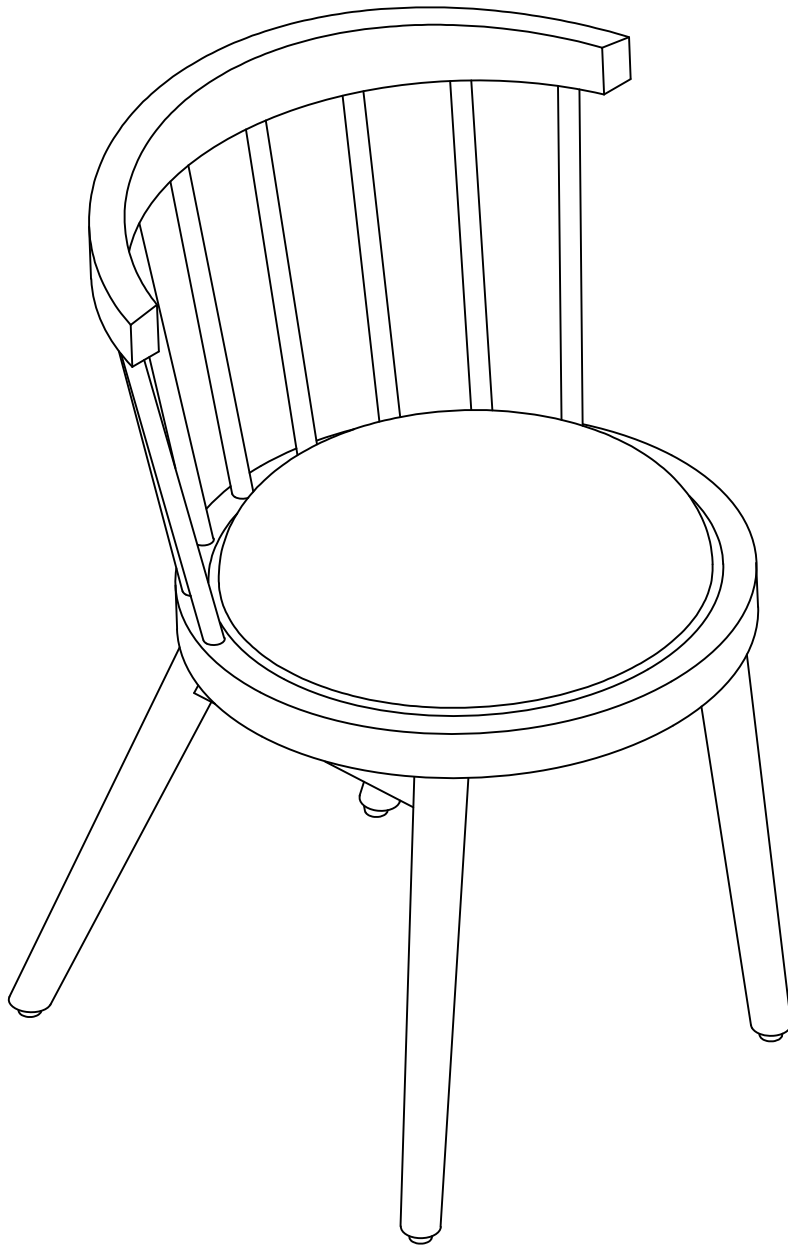
Step 4:

If your feet are not flat, you can also adjust the adjustable levelers on the bottom of your feet to improve balance.



ASSEMBLY INSTRUCTIONS - ATTENTION

Completed:





WARNING



Read the instructions carefully.



Please follow the assembly steps

Safety maximum Weight: 250 LBS

To ensure proper assembly, follow all steps and use all parts, do not use power tools. Failure to follow this warning can result in serious injury to yourself or others.

Please inspect all items before assembly, if for any reason you need to return this item, please kindly return in its original packaging.

To avoid misalignments, leave the screws loose and do not tighten them until all are in their respective places.

Do not tighten all bolts and screws completely until the entire unit has been assembled and set up.

Do not over tighten or force the screws as they could break, strip, or damage the threads of the holes.

Using the wrong size of screws on a part could result in damage to the screw or the part.

Lubricate all moving parts and tighten all bolts/screws every 6 month or whenever needed.

Do not use if this product become damaged, and/or components are broken or missing.