

Quick Setup

Platform Bed Frame

Instructions for all bed frames

Twin, Twin XL, Full, Queen, King & Cali King

Platform Bed Frame



2-PERSON ASSEMBLY RECOMMENDED



No Noise



No Shake



Heavy Duty
Strong support
holds up to 3500lb

Parts for Twin & Twin XL



A x 1PCS



B x 1PCS



C x 1PCS



D x 1PCS



E x 2PCS



F x 2PCS

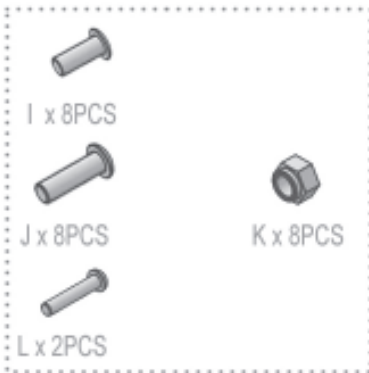


G x 1PCS



H x 10PCS

Easy Installation Kit



I x 8PCS

J x 8PCS

L x 2PCS

K x 8PCS



N x 1PCS



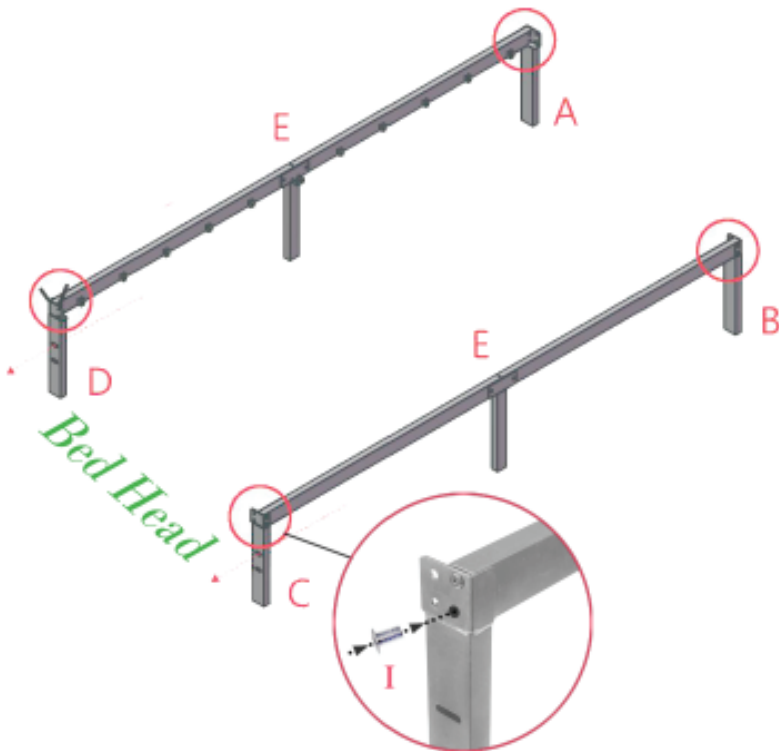
O x 1PCS

Tips: Do not tighten screws until completely assembled.

Assembly for Twin & Twin XL

Step 1 of 4

1. Place A B C D parts, Notice that they all have differences, Make sure hole is facing toward bedhead.
2. Extend E fully as shown below.
3. Line up E and A, E and B, Tightly locking 2 bolts(Part I, No Need Hexagon Lock Nuts) on each leg.
4. Line up E and C, E and D, Locking bolts, ditto.

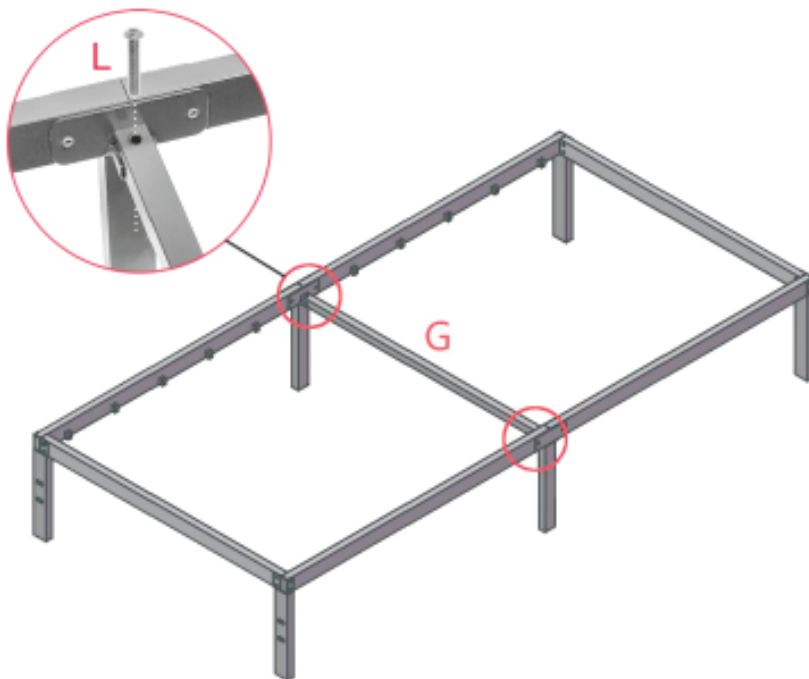


Assembly for Twin & Twin XL

Step 3 of 4

1.Place G as shown below.

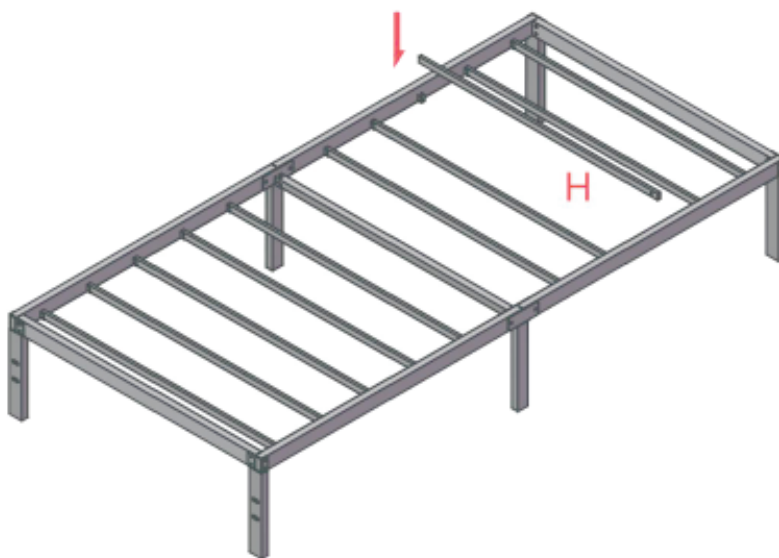
2.Line up and locking bolt(Part L) with 2 holes.



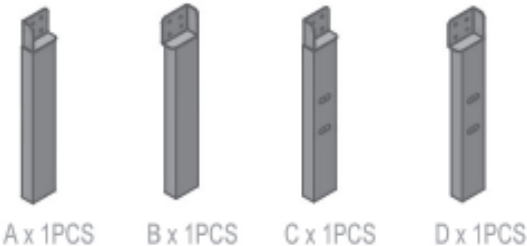
Assembly for Twin & Twin XL

Step 4 of 4

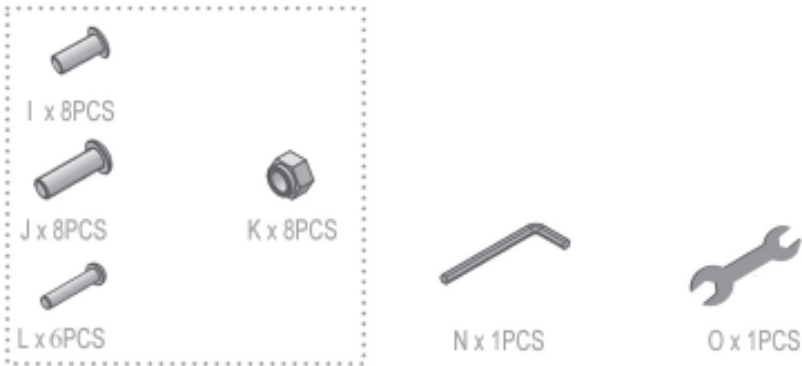
1. Press down H parts into the bed frame as shown below,
2. Finish the installation and enjoy yourself.



Full, Queen, King & Cali King Parts



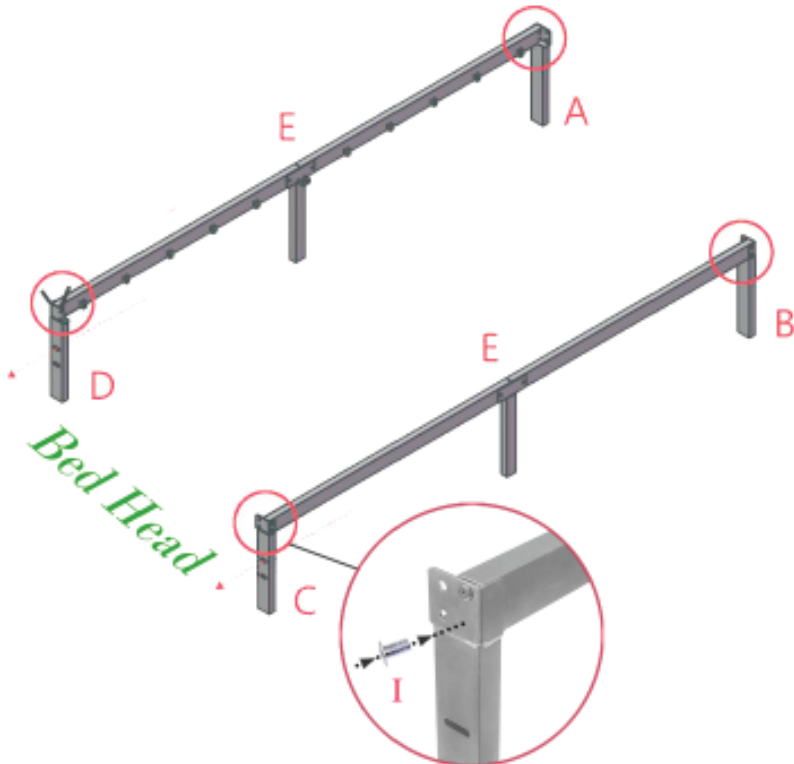
Easy Installation Kit



Full, Queen, King & Cali King Assembly

Step 1 of 4

1. Place A B C D parts, Notice that they all have differences, Make sure hole is facing toward bedhead.
2. Extend E fully as shown below,
3. Line up E and A, E and B, Tightly locking 2 bolts (Part I, No Need Hexagon Lock Nuts),
4. Line up E and C, E and D, Locking bolts, ditto.

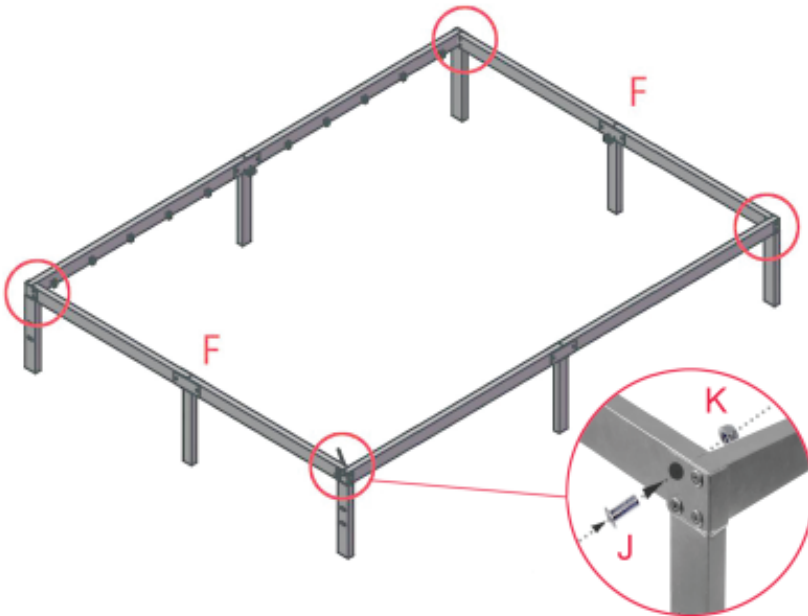


Full, Queen, King & Cali King Assembly

Step 2 of 4

1. Extend F fully as shown below,

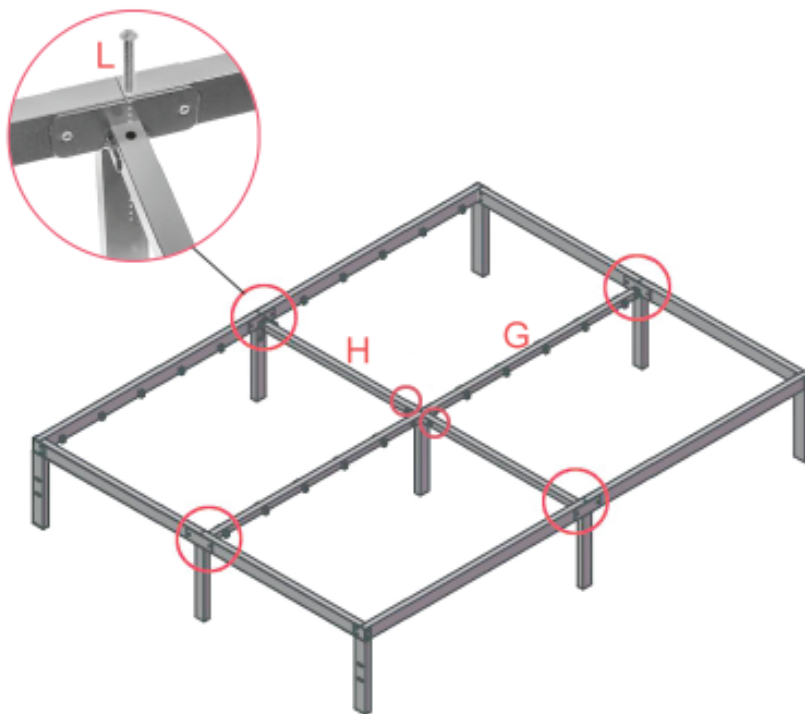
2. Line up and locking bolts and nuts (Part J&K) with all of the holes.



Full, Queen, King & Cali King Assembly

Step 3 of 4

1. Extend G fully as shown below,
2. Press down H part into the bed frame as shown below,
3. Line up and locking bolts(Part L) with all of the holes.

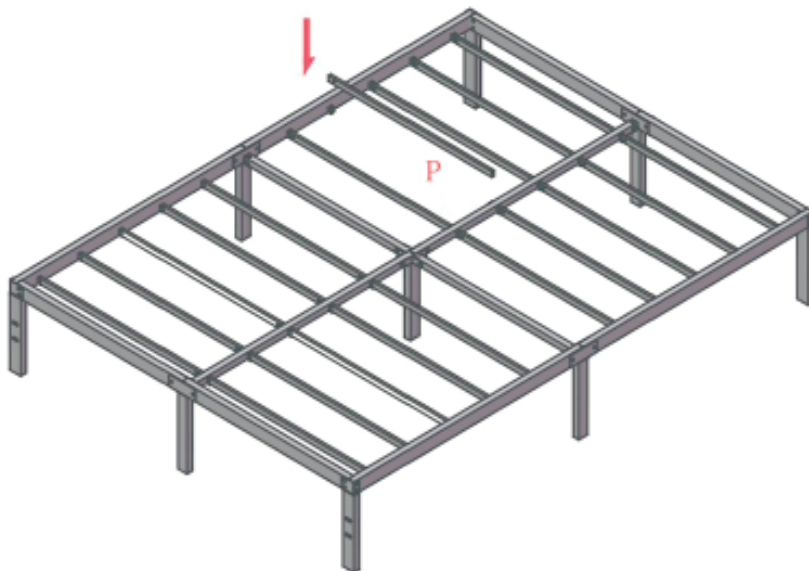


Full, Queen, King & Cali King Assembly

Step 4 of 4

1. Press down P parts into the bed frame as shown below,

2. Finish the installation and enjoy yourself.



Good Job!

You're done.

Now go enjoy your new bed frame!

Thank You!