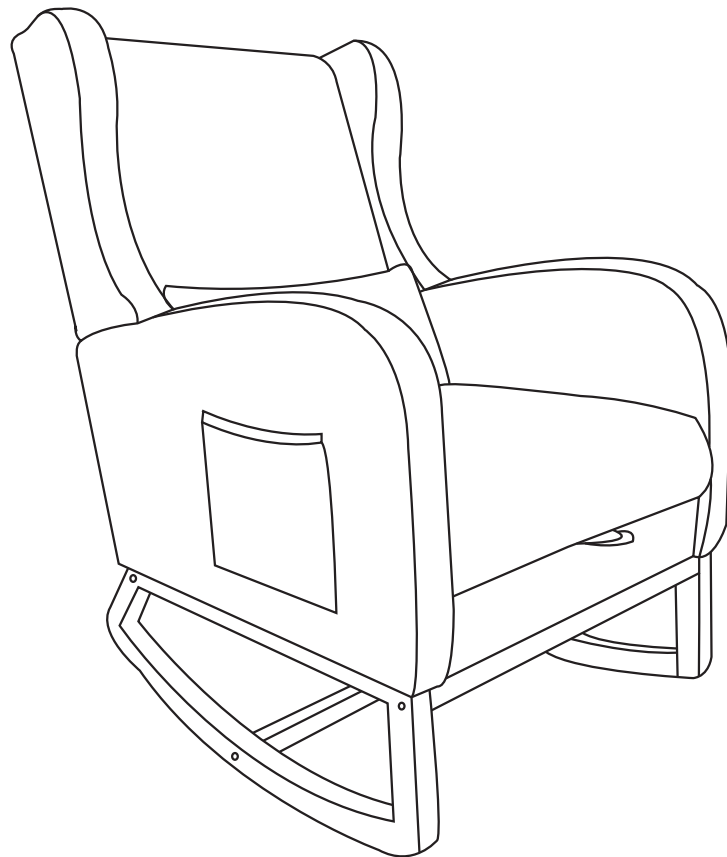


Assembly Manual

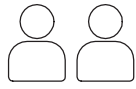
ROCKER



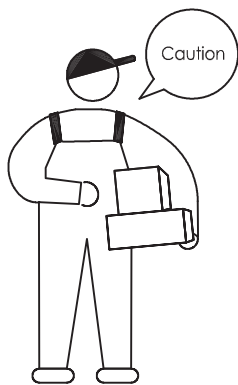
Assembly note:

15 min

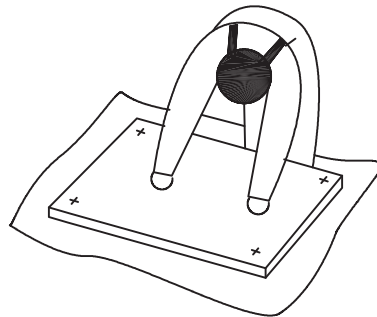
Assembly Time



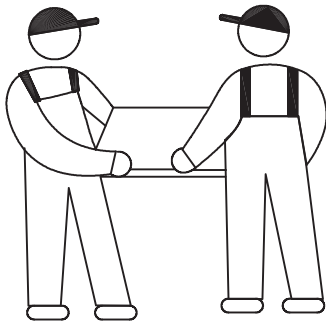
Two People



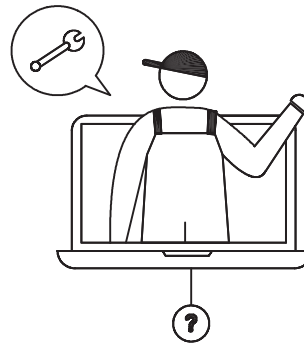
- Handle with care, protective layer is required in case any scratches.



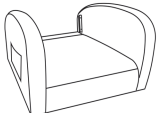

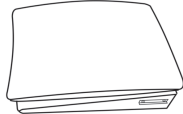
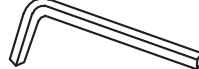

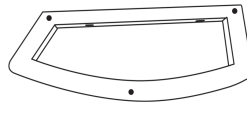

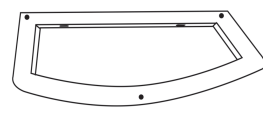


- Safe carriage, multi people are needed.



- In case of any doubts, contact us.



Components List

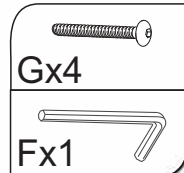
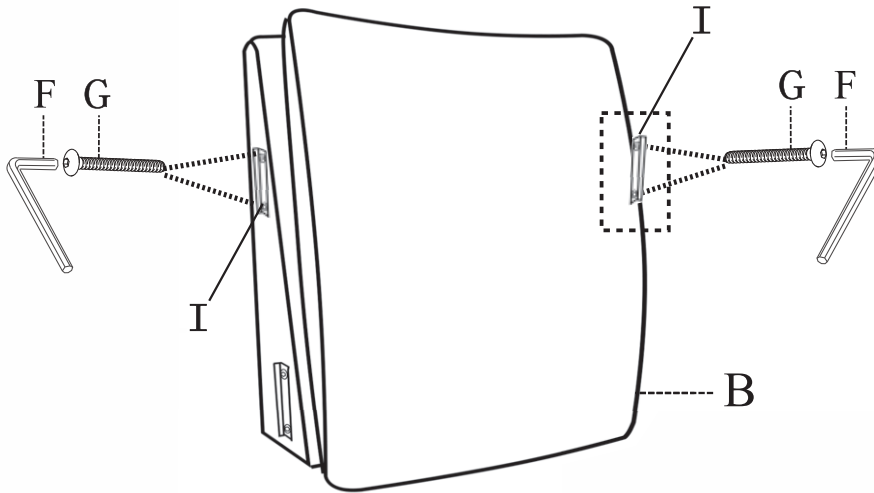
NO.	PARTS	QTY	NO.	PARTS	QTY
A		1	E		2
B		1	F		1
C		3	L		1
D	 M6 x 40 mm	10+2	R		1
G	 M6 x 25mm	8+1	I		4

Note: The number after “+” sign indicates the extra piece(s).

Assembly Instruction

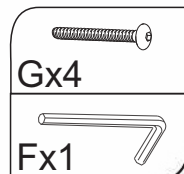
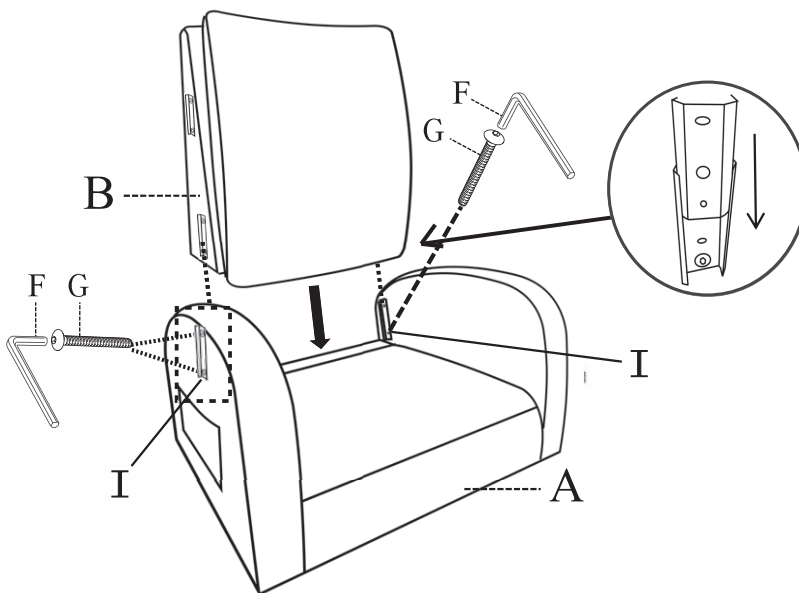
STEP 1

Attach the metal connectors to each side of the backrest(B) using bolts(G) and Allen wrench(F).



STEP 2

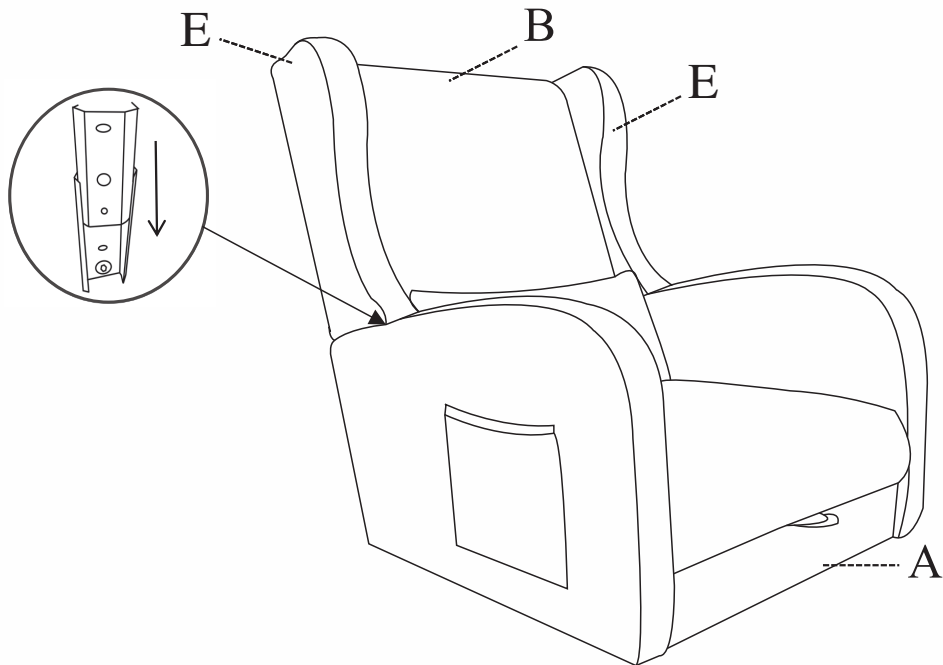
Attach the backrest to seat(A) by inserting the male connectors into the female connectors as shown below.



Assembly Instruction

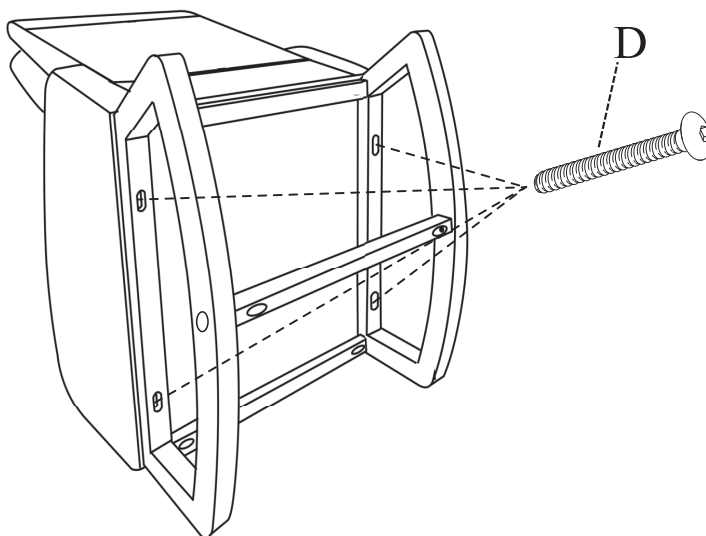
STEP 3

Attach ears(E) to the sides of the backrest(B) by inserting the male connectors into the female connectors as shown below.



STEP 4

Attach the runners to the underside of the seat using bolts(D) and Allen wrench(F). Do NOT fully tighten the bolts until all of them are in the right holes. This will allow you slight adjustments during assembly.



Dx4

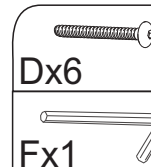
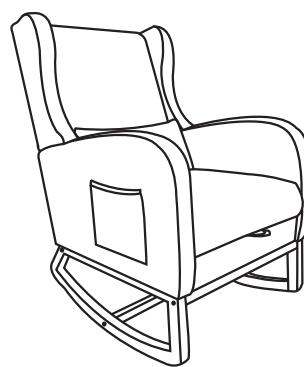
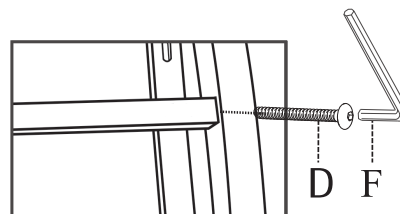
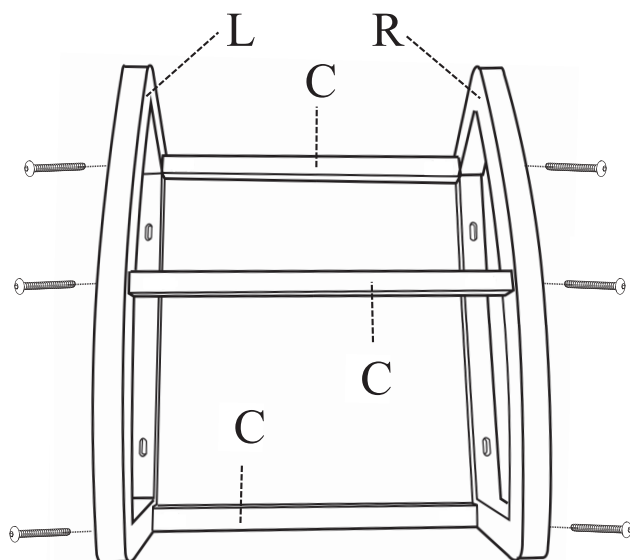


Fx1

Assembly Instruction

STEP 5

Attach the crossbars (C) to the left and right runners (L&R) using bolts (H) and Allen wrench. Attach the middle one first will be much easier. Do NOT fully tighten the bolts until all of the bolts are in the correct holes. This will allow you slight adjustments to the positions during the assembly.



STEP 6

Assembly is completed.

