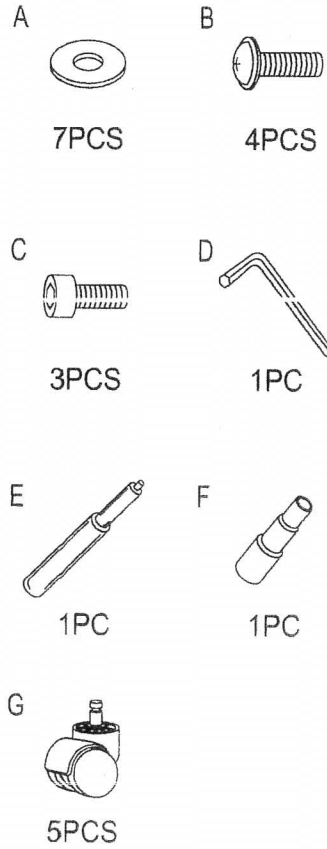
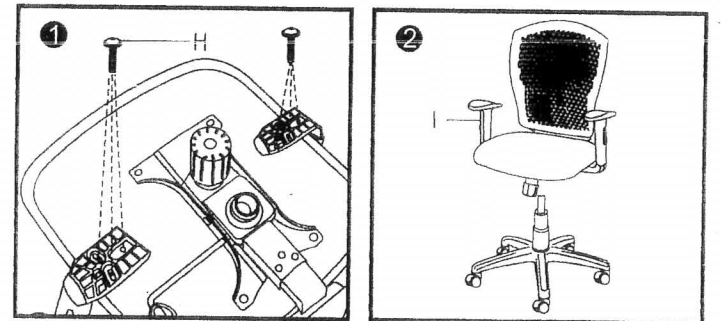
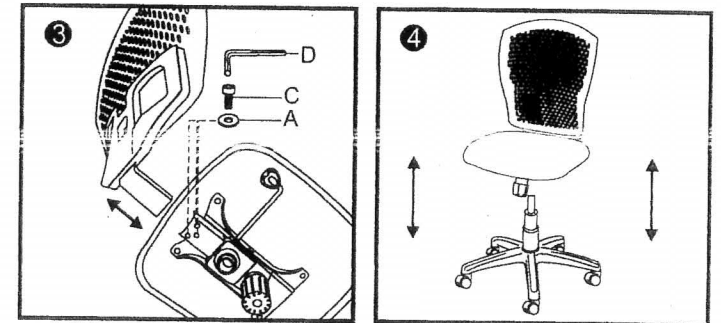
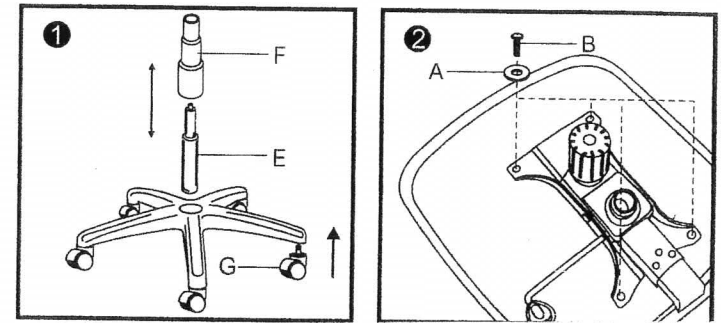
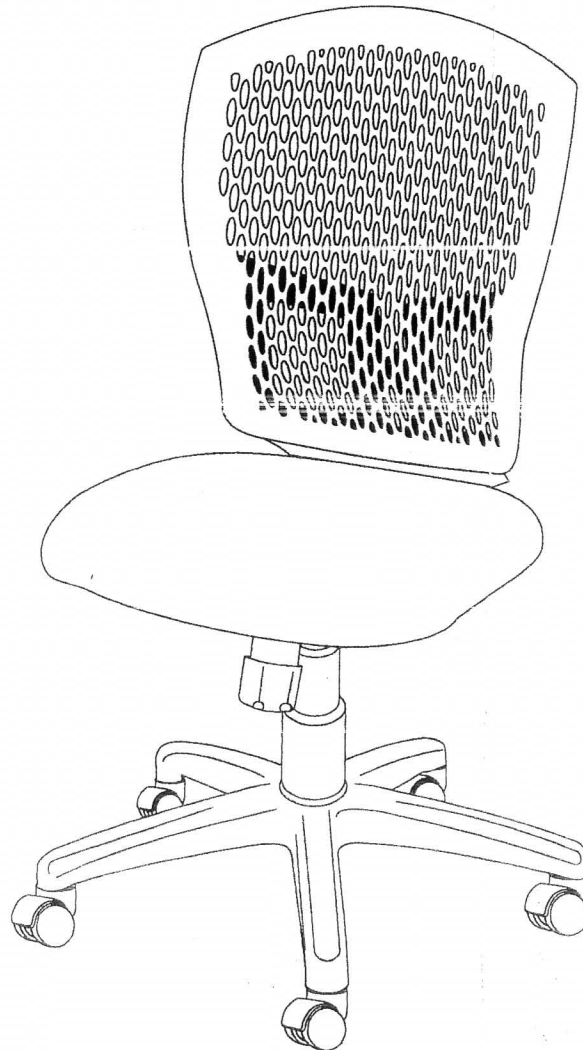
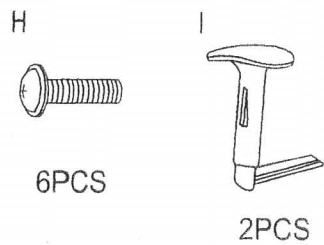


Assembly Instructions

Parts Listing



Optional



ASSEMBLY NOTES:

During assembly, hand tighten screws only. When all screws are in place, you may then tighten all screws completely.

CAUTION: 1. Do not use this chair as a step ladder.

2. Check for loose screws and tighten them anytime.