

RVF5132

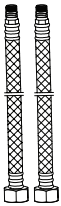
KITCHEN FAUCET

FEATURES

- Ceramic cartridge
- Solid brass construction
- Single handle for easy use
- Includes hot and cold inlet hoses
- 1 hole installation (standard 1-3/8" hole)



IN THE BOX



Inlet Hoses

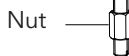
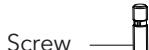
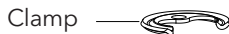
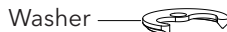
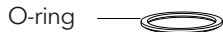
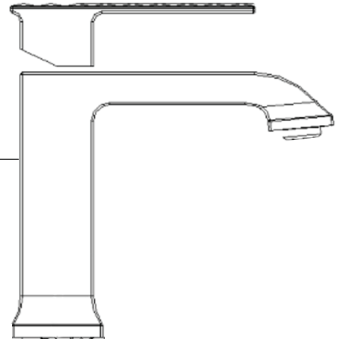


Aerator Wrench



Allen Key

Main Body

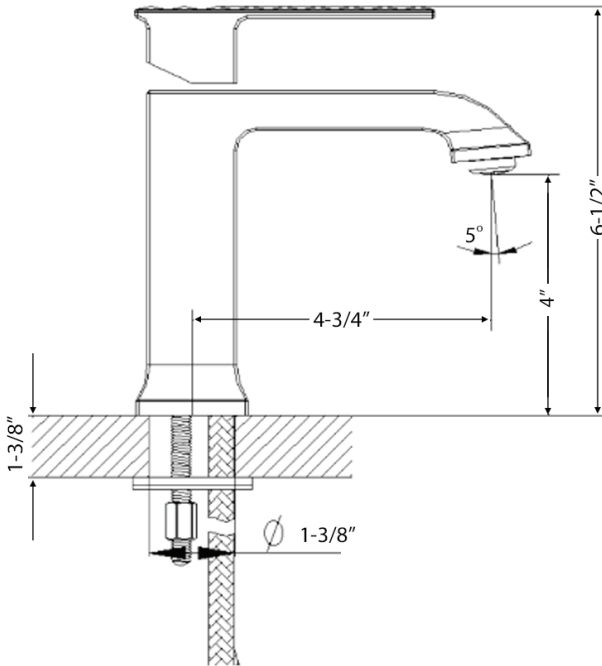


COLOR OPTIONS

- Brushed Nickel (BN)

DIMENSIONS

- Overall Spout Height: 6-1/2"
- Spout Height: 4"
- Spout Reach: 4-3/4"



ADA
Americans with
Disabilities Act

CODES / STANDARDS

CUPC CERTIFIED BY IAPMO
ASME A112.18.1/CSA B125.1
NSF/ANSI/CAN 61 & 372

ADA COMPLIANT
CALIFORNIA ENERGY COMMISSION
(CEC) AND CALGREEN, EPA WATERSENSE



SCAN TO REGISTER OR VISIT
WWW.RUVATI.COM/REGISTER

RUVATI USA

WWW.RUVATI.COM

PHONE: 1.855.478.8284
EMAIL: SUPPORT@RUVATI.COM