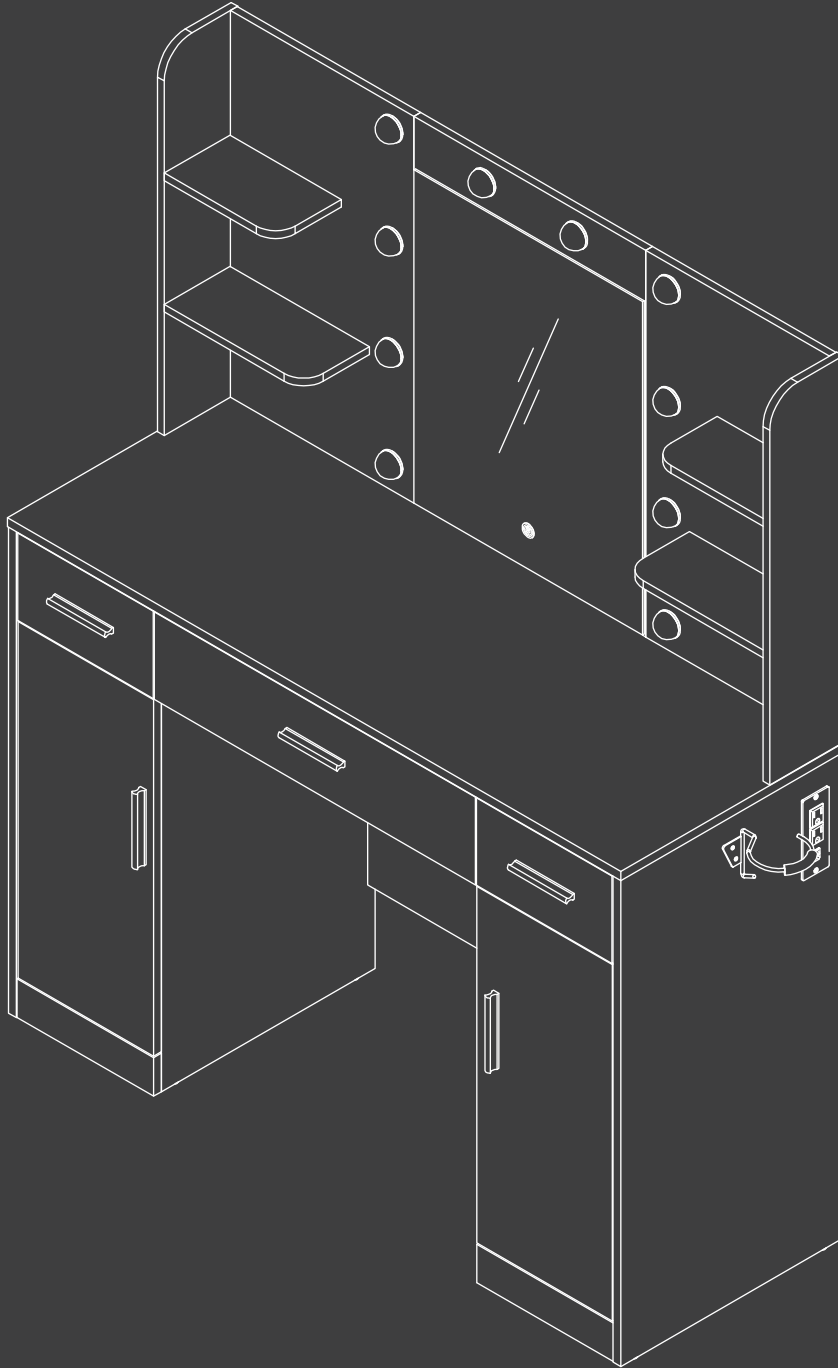


Vanity Desk

Instruction Manual

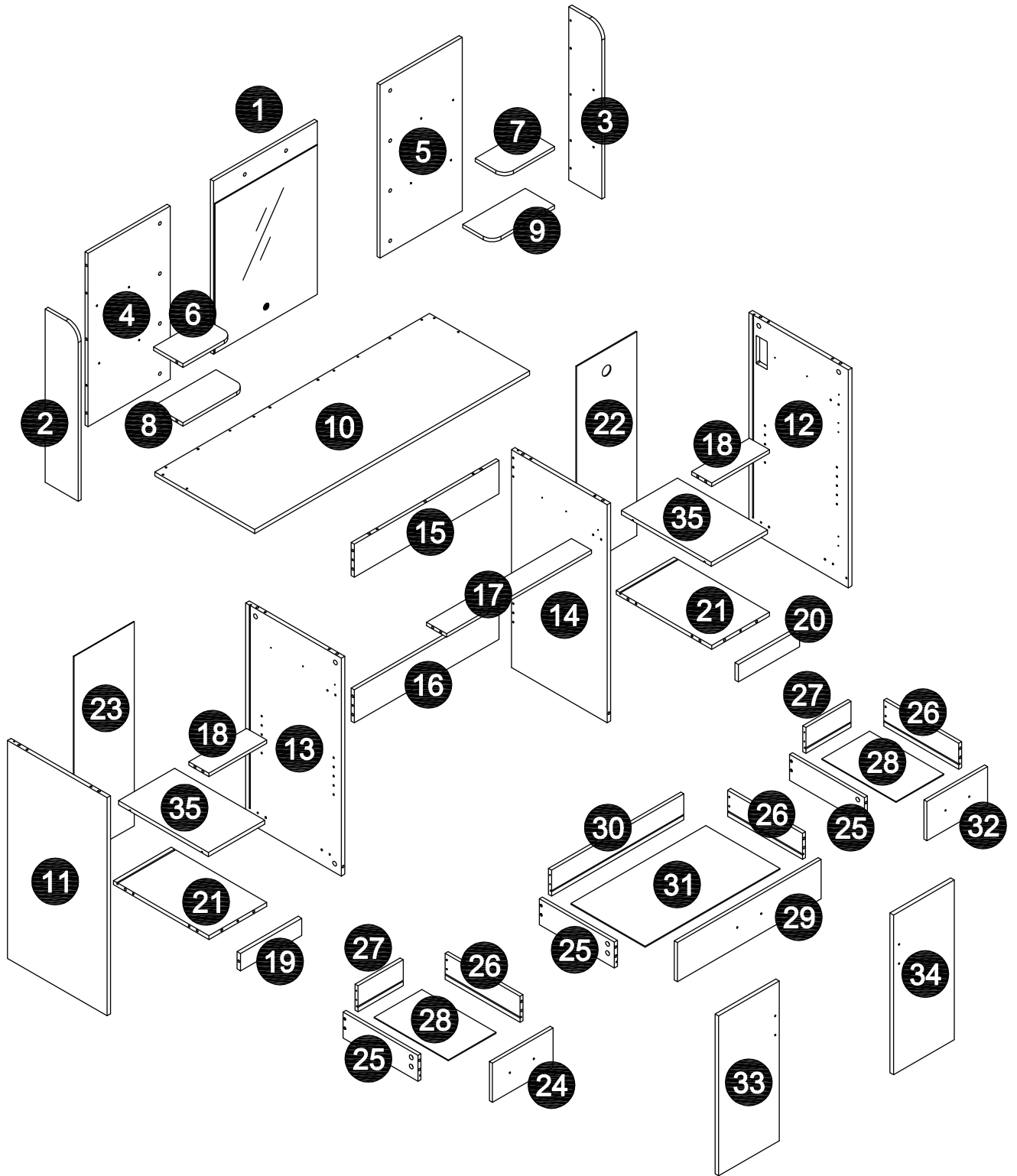
SZT-3C2M-WT



 EST 9:00AM--17:00PM

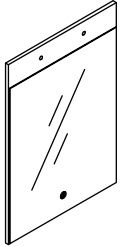
 HJ-Customer-Service@outlook.com

 (909)637-7665 | (909)637-7593



1 Component List

1 X1



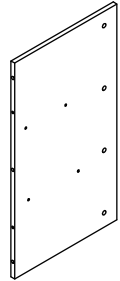
2 X1



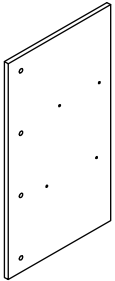
3 X1



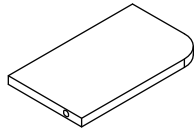
4 X1



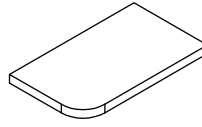
5 X1



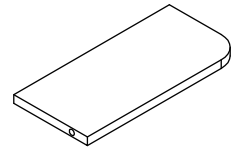
6 X1



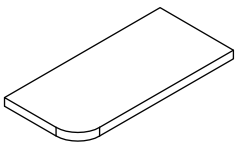
7 X1



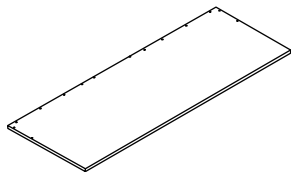
8 X1



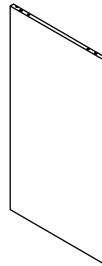
9 X1



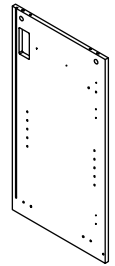
10 X1



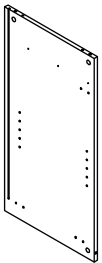
11 X1



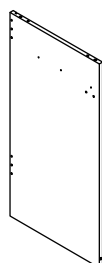
12 X1



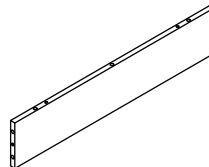
13 X1



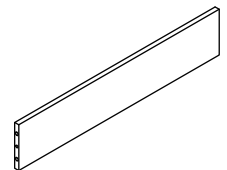
14 X1



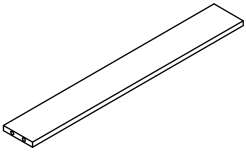
15 X1



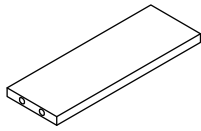
16 X1



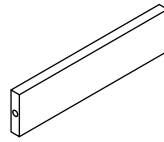
17 X1



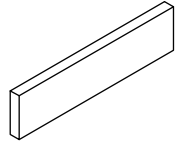
18 X2



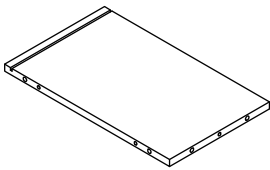
19 X1



20 X1



21 X2



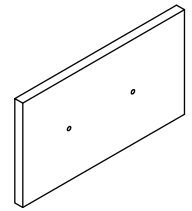
22 X1



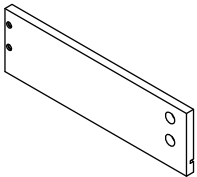
23 X1



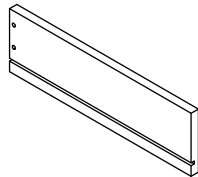
24 X1



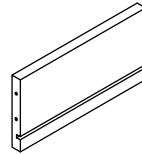
25 X3



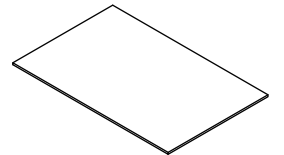
26 X3



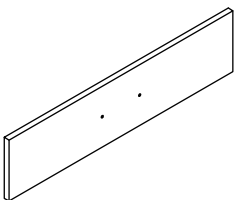
27 X2



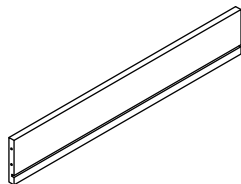
28 X2



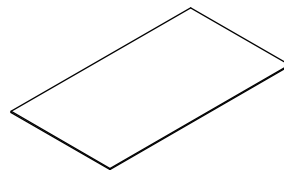
29 X1



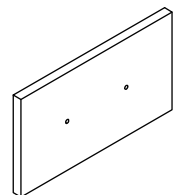
30 X1



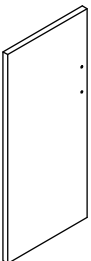
31 X1



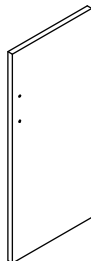
32 X1



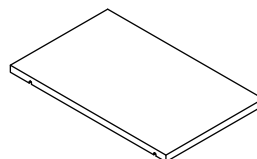
33 X1



34 X1



35 X2



2 Supplied Parts and Hardware

A X77+2



Ø6x34mm

B X77+2



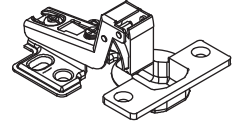
Ø15x9.5mm

C X32+2



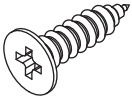
Ø6x30mm

D X4



Ø35mm

E X26+1



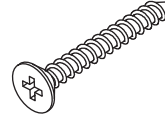
Ø8x15mm

F X42+1



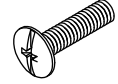
Ø6.5x12mm

G X22+1



Ø8*35mm

H X6



Ø5/32"x16mm

I X2



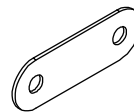
Ø4x15mm

J X8

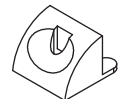


Ø3x15mm

K X6



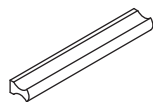
L X8



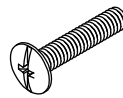
M X8



N X5

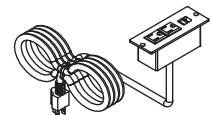


O X4

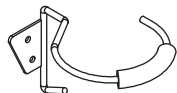


Ø5/32"x18mm

P X1



Q X1



R X 1SET



R-1 X10

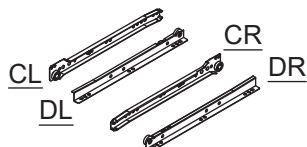
R-2

S X8



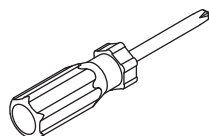
Ø13x4mm

T X3SETS

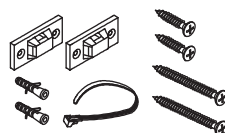


L300mm

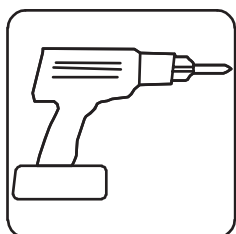
U X1



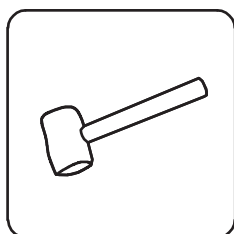
V X1SETS



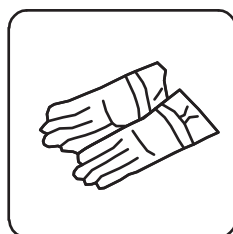
Please have the following auxiliary tools ready:
Bitte halten Sie folgende Hilfswerkzeuge bereit:
Veuillez préparer les outils auxiliaires suivants :
Si prega di avere pronti i seguenti strumenti ausiliari:
Por favor, tenga listas las siguientes herramientas auxiliares:



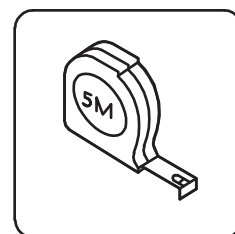
Electric Drill



Hammer



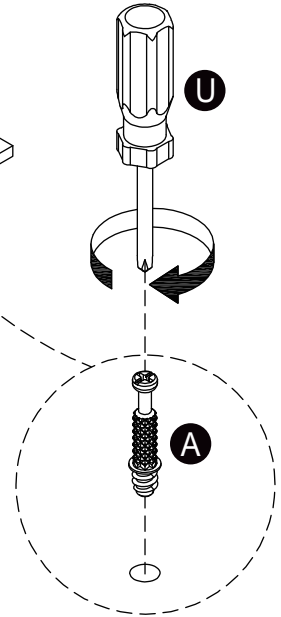
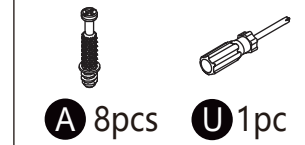
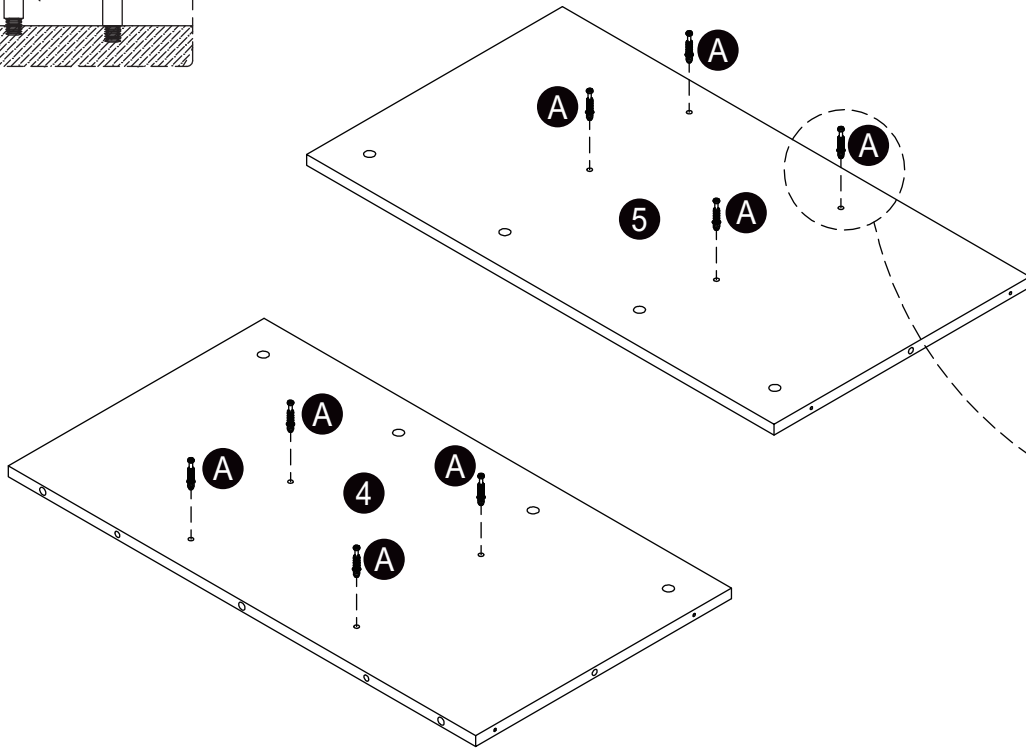
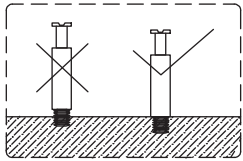
Gloves



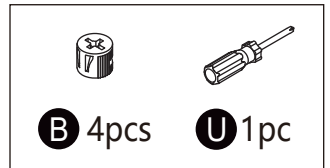
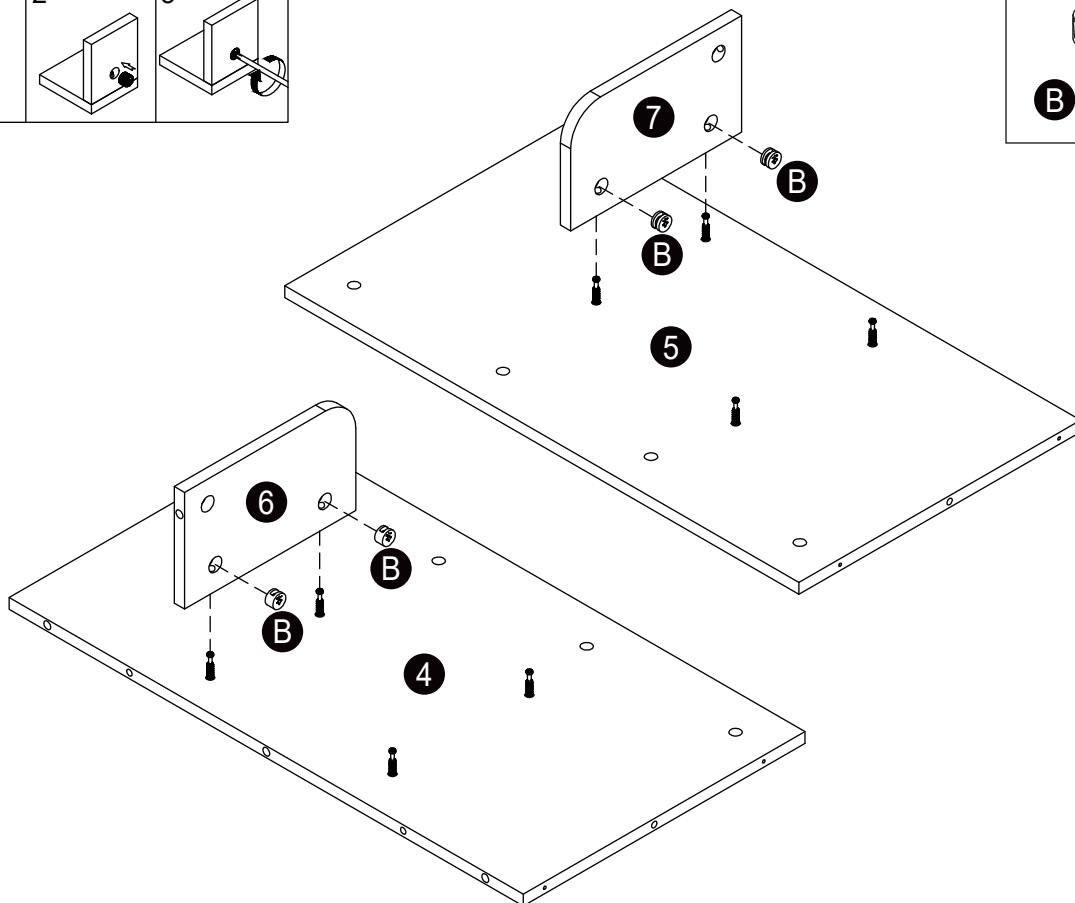
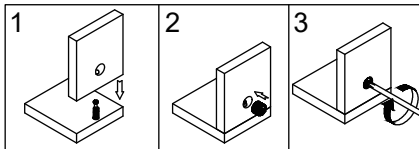
Tape Measure 5M

NOTE: This product requires at least two people for installation.

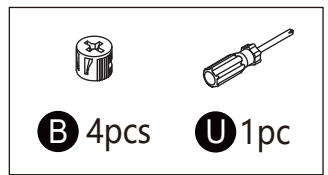
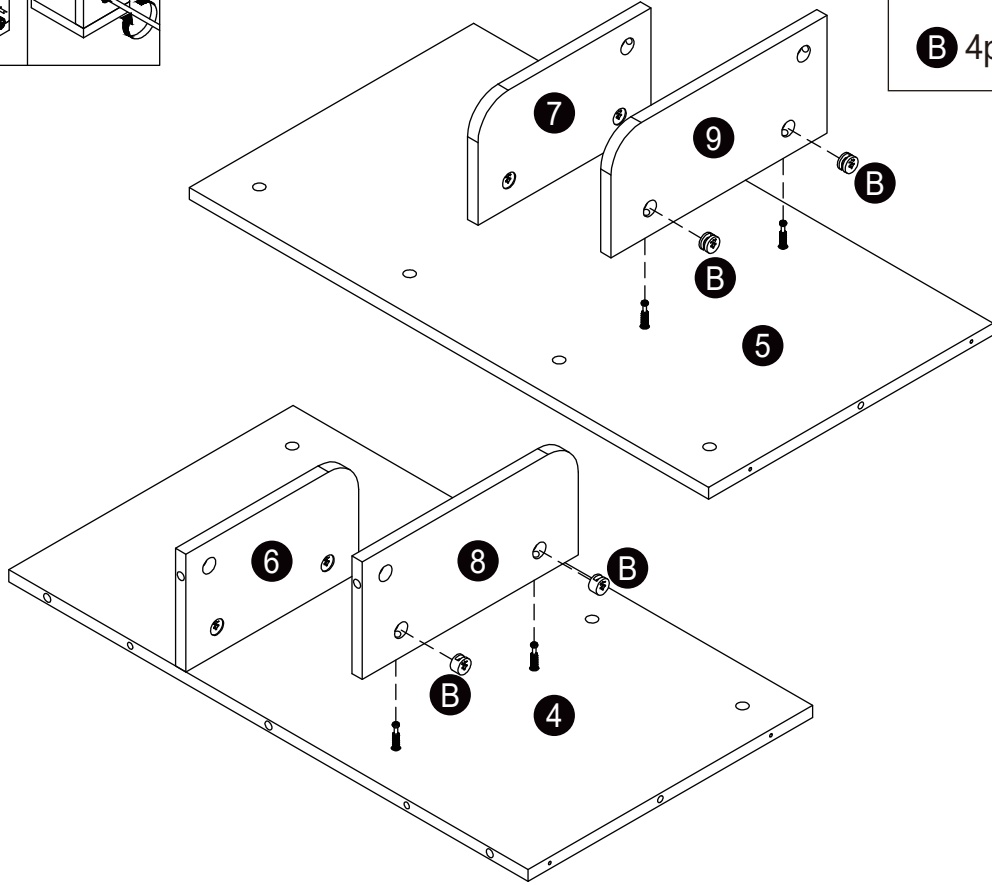
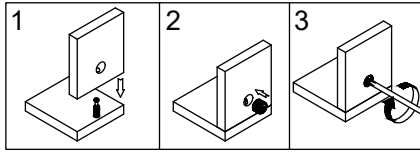
Step 1



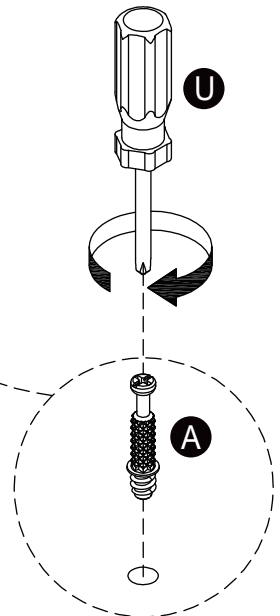
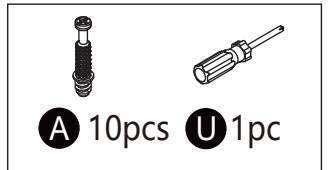
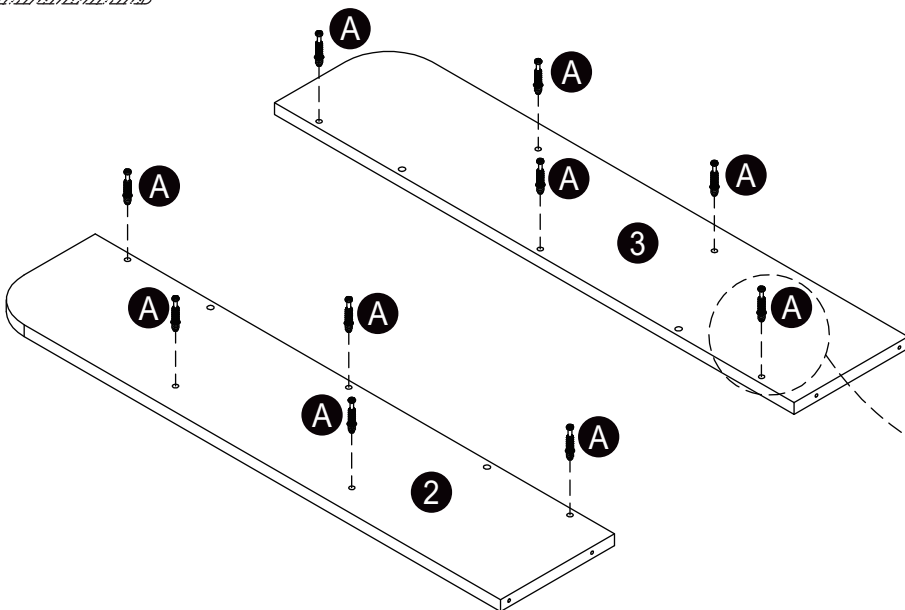
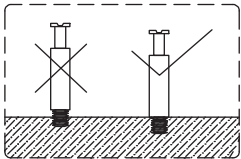
Step 2



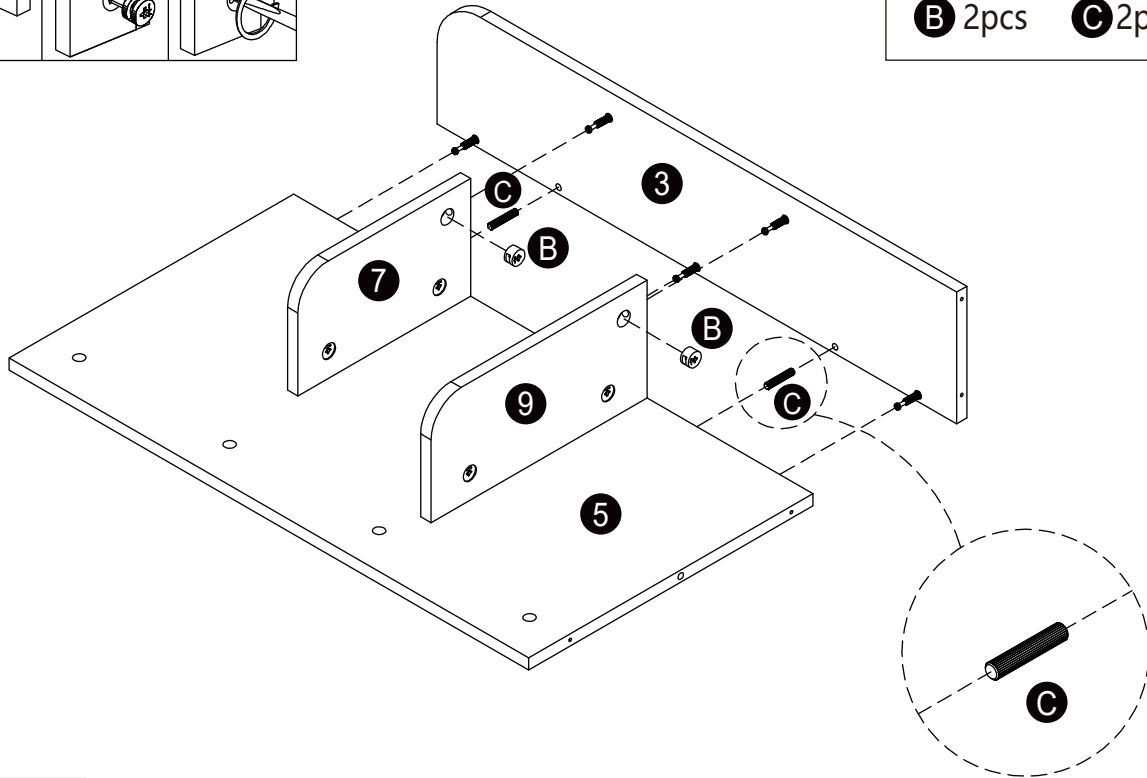
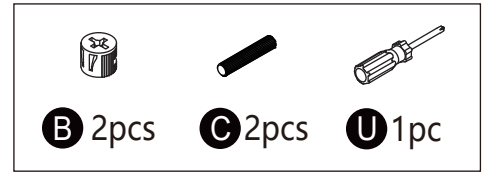
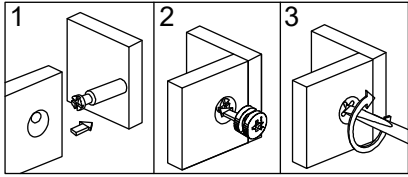
Step 3



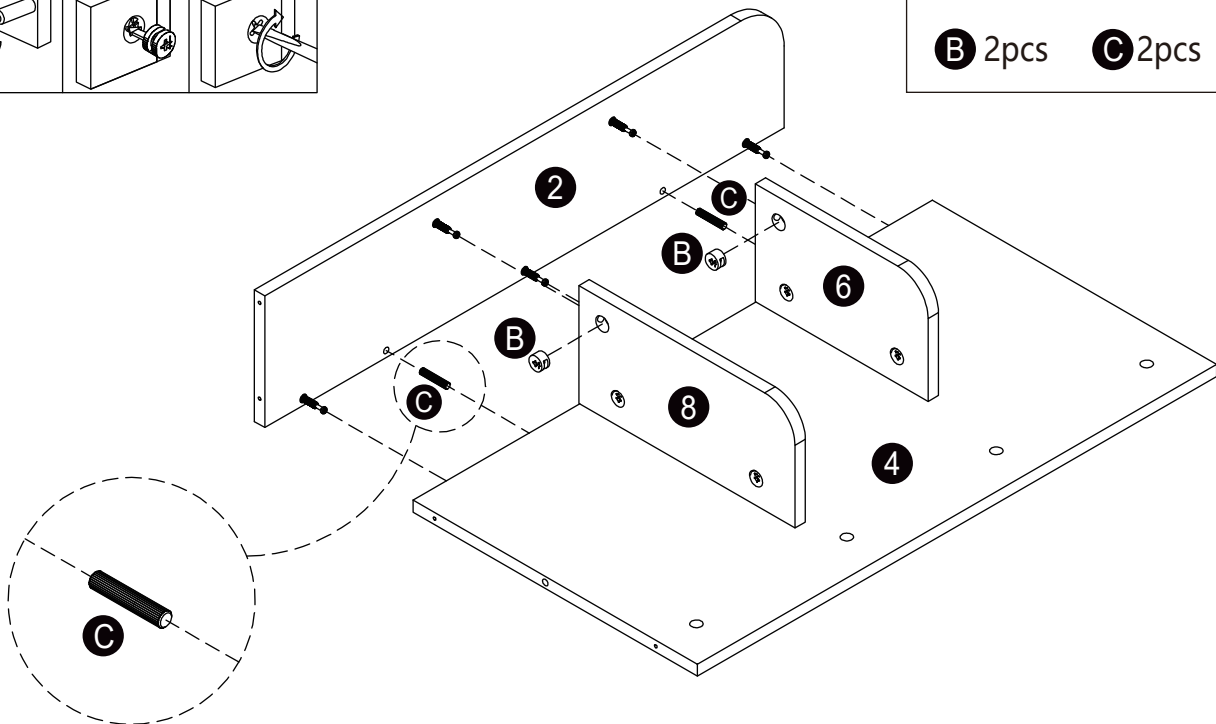
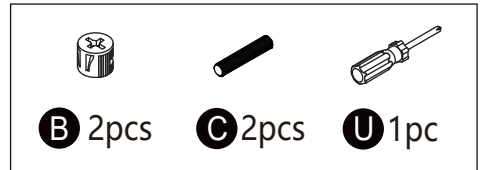
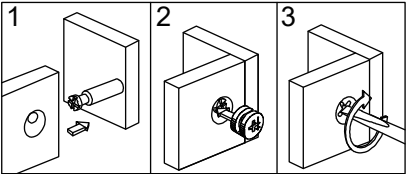
Step 4



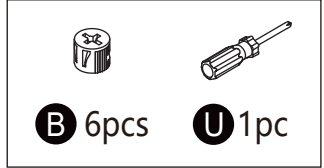
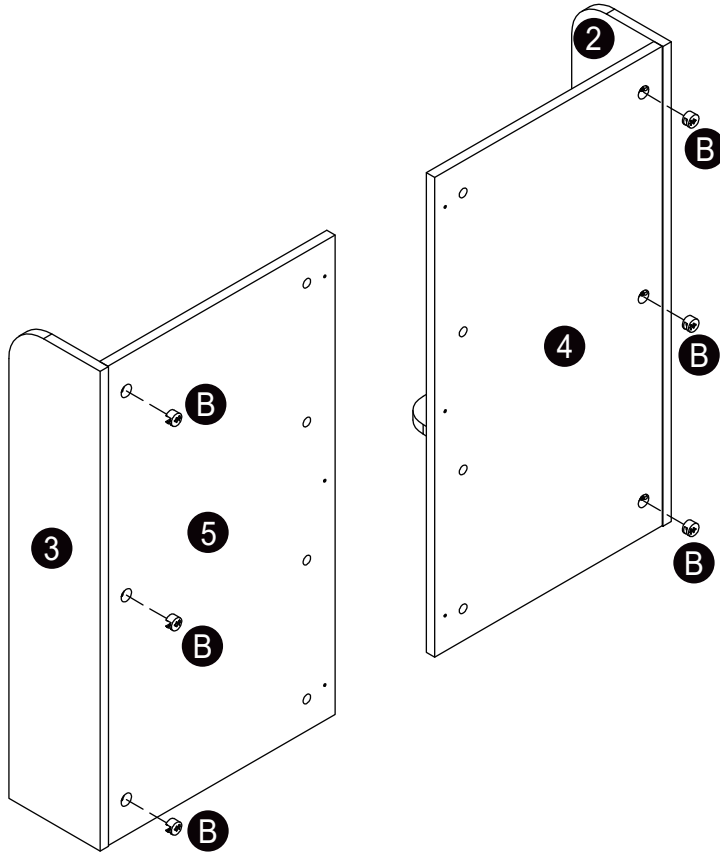
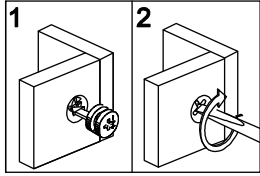
Step 5



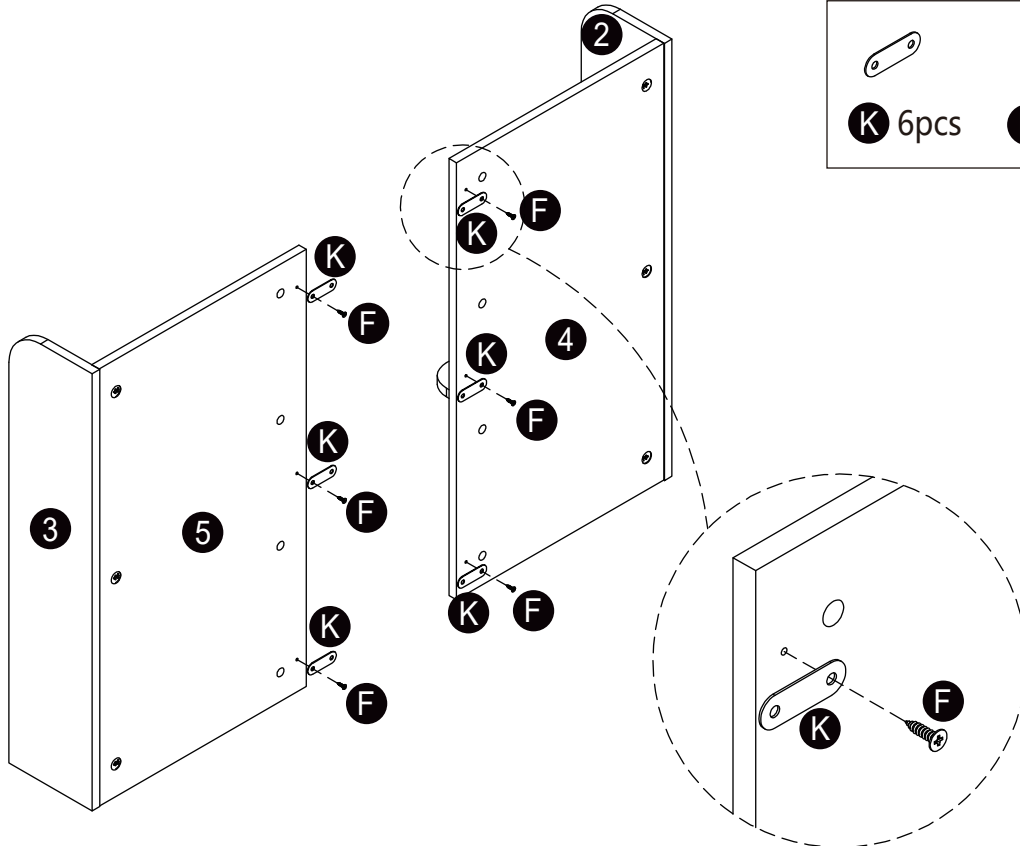
Step 6



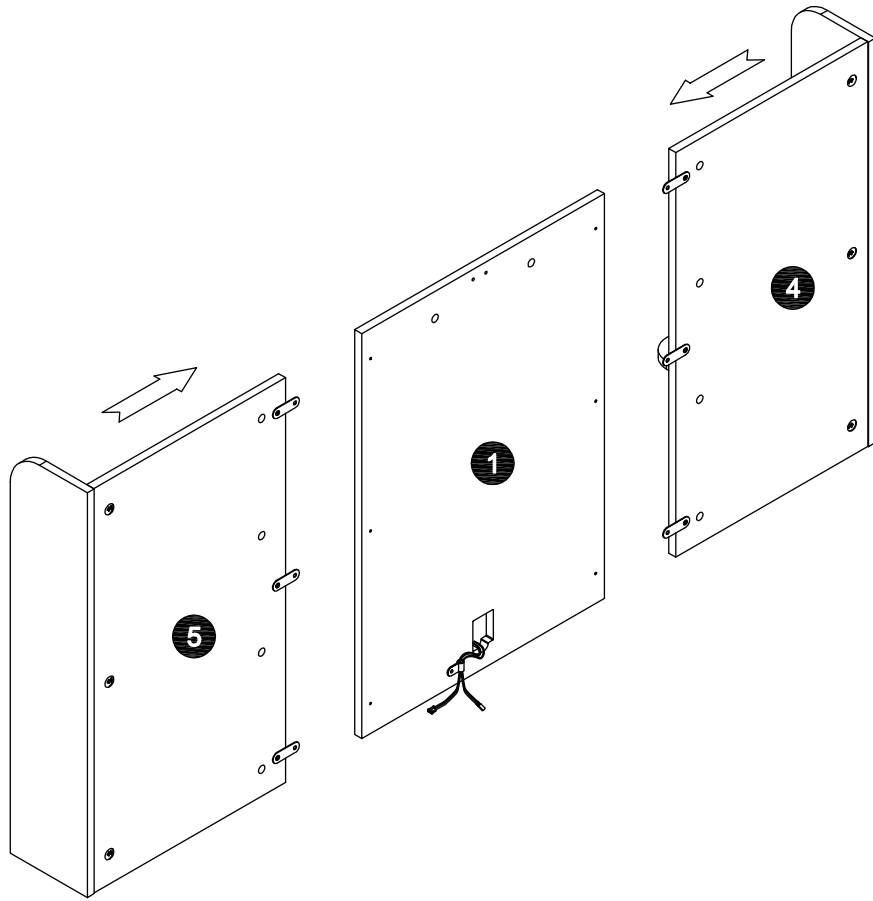
Step 7



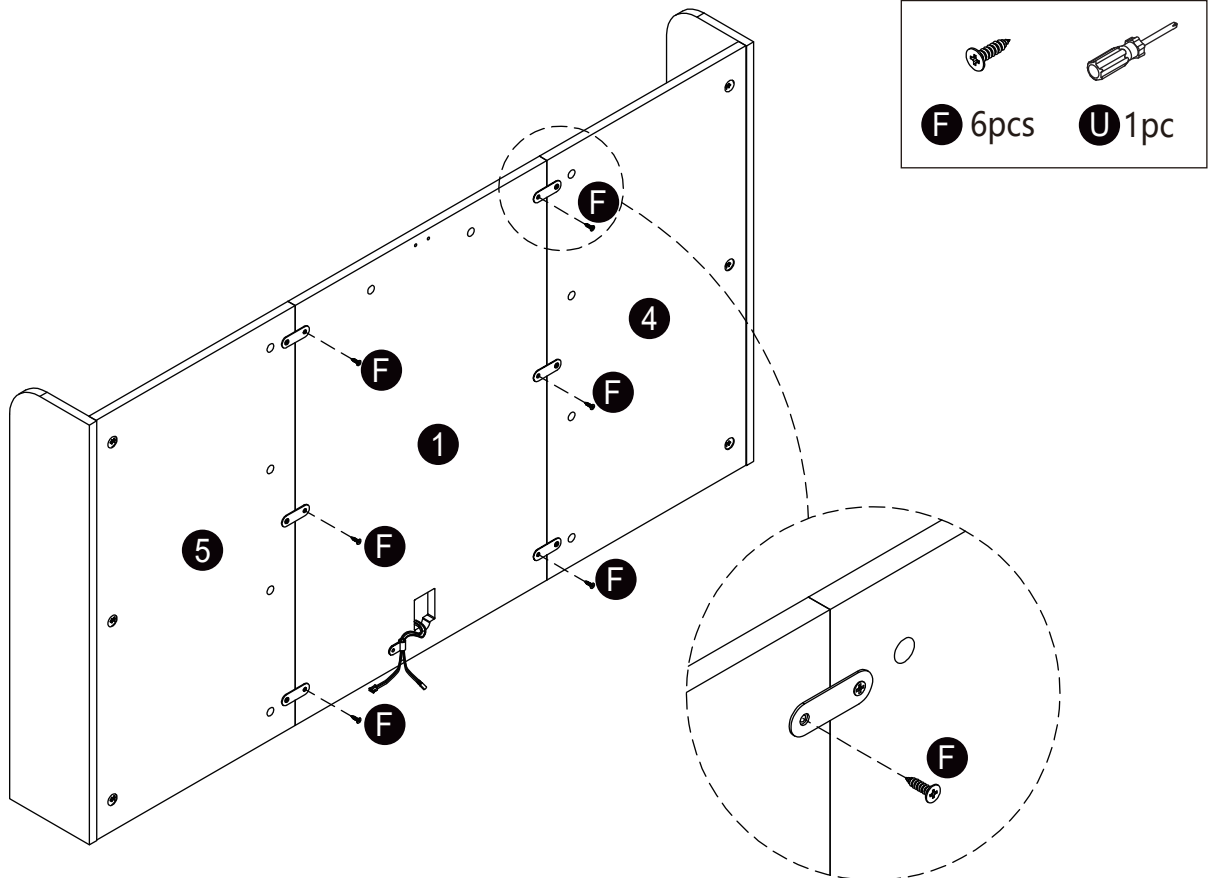
Step 8



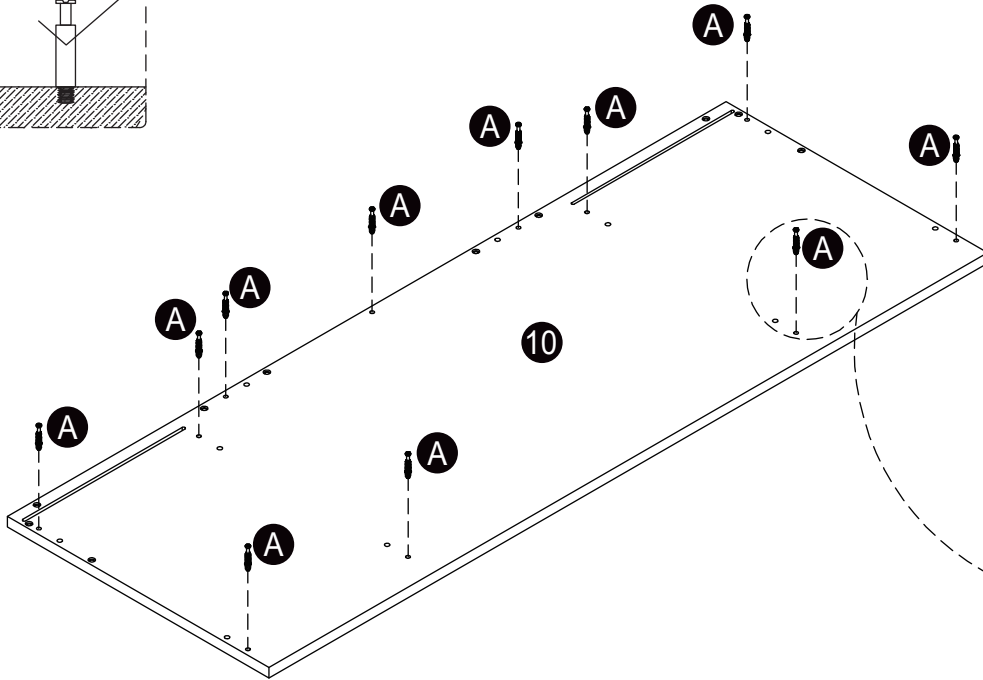
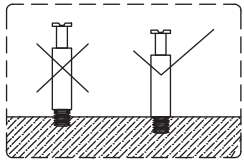
Step 9



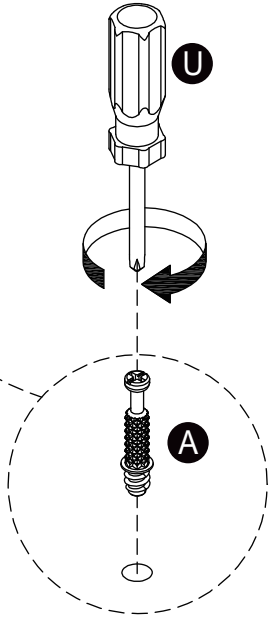
Step 10



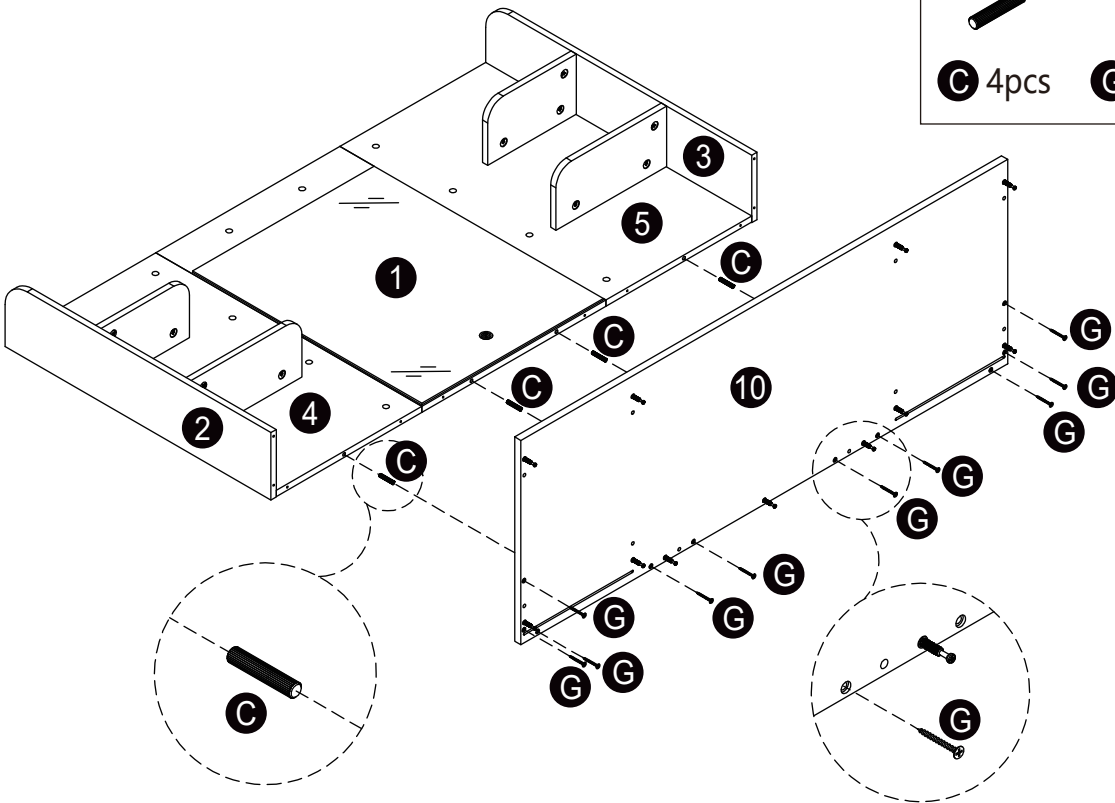
Step 11



A 11pcs **U** 1pc

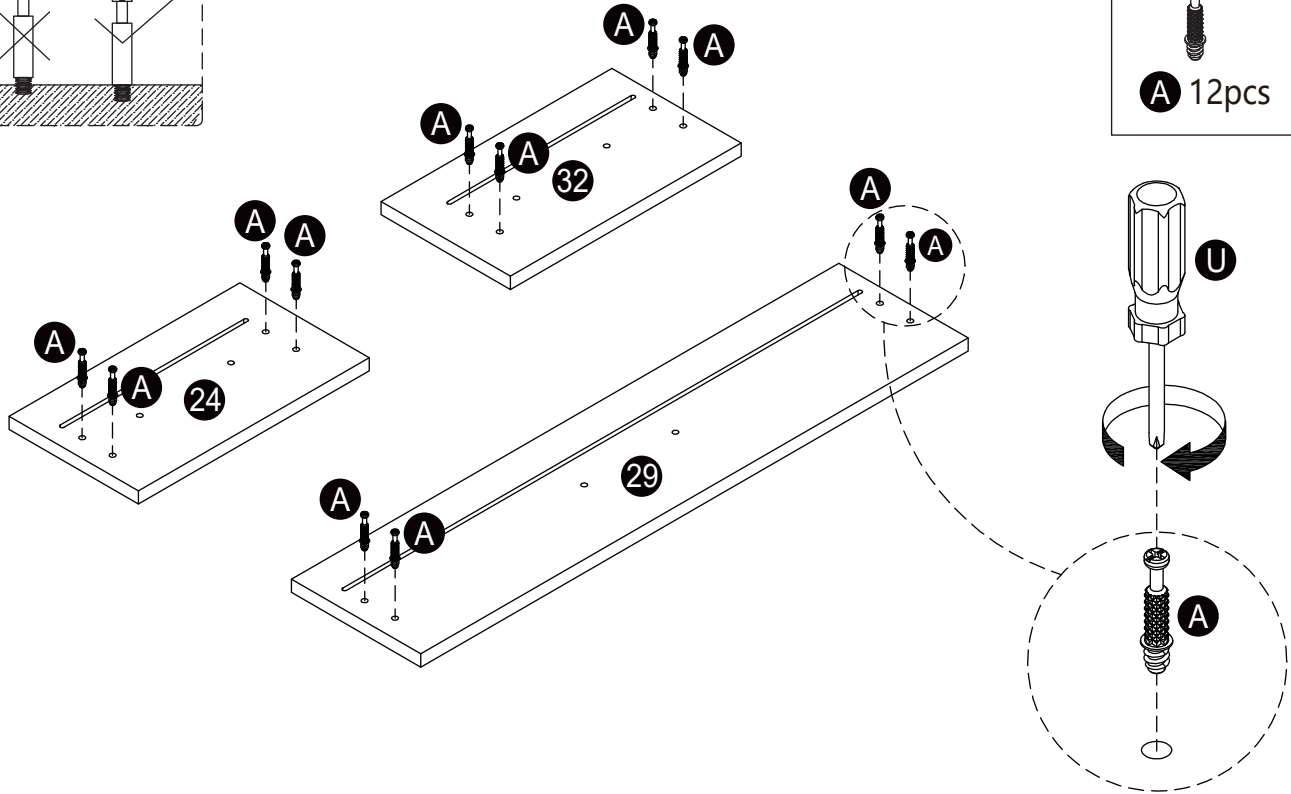
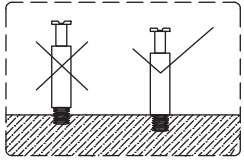


Step 12

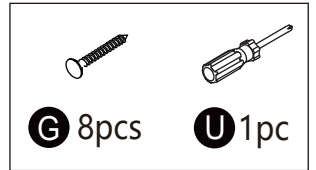
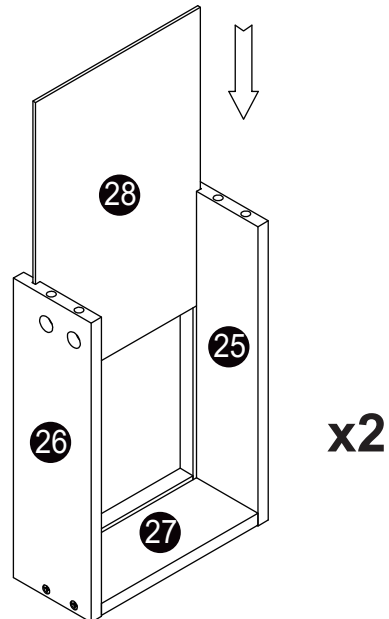
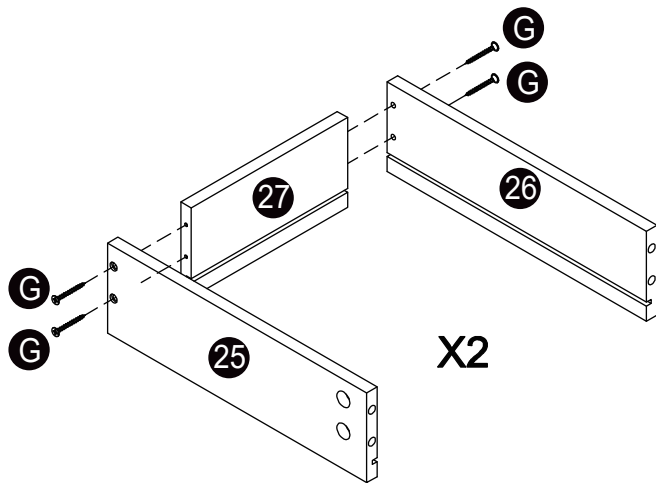


C 4pcs **G** 10pcs **U** 1pc

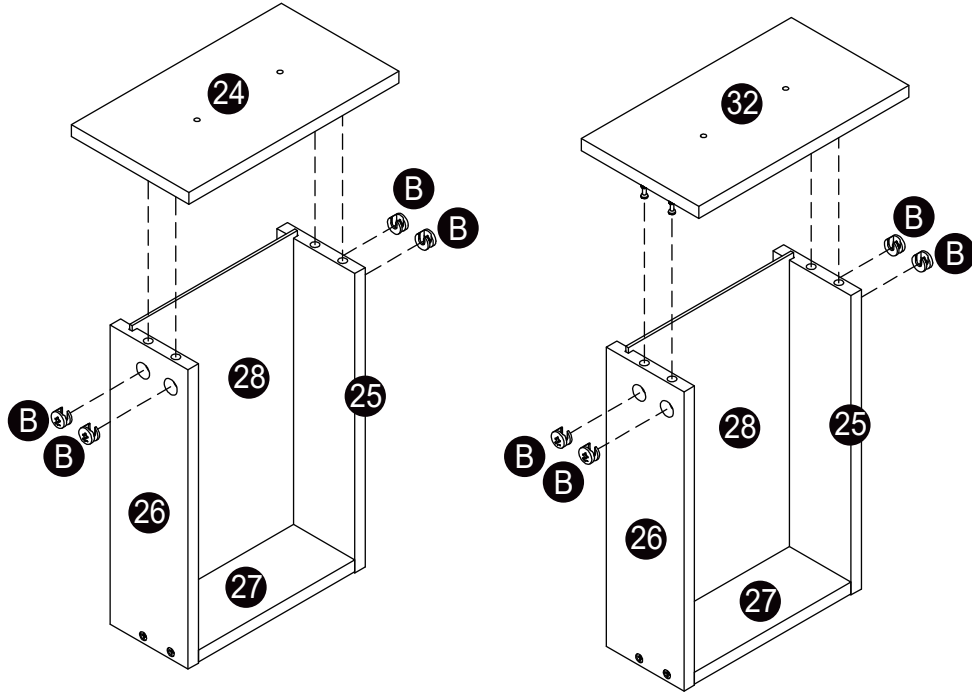
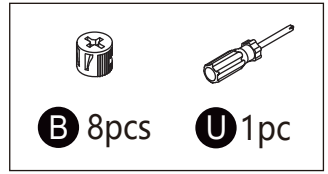
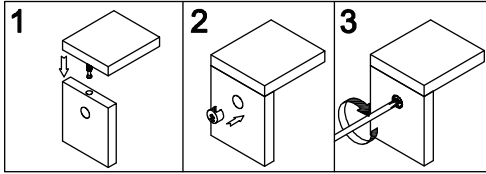
Step 13



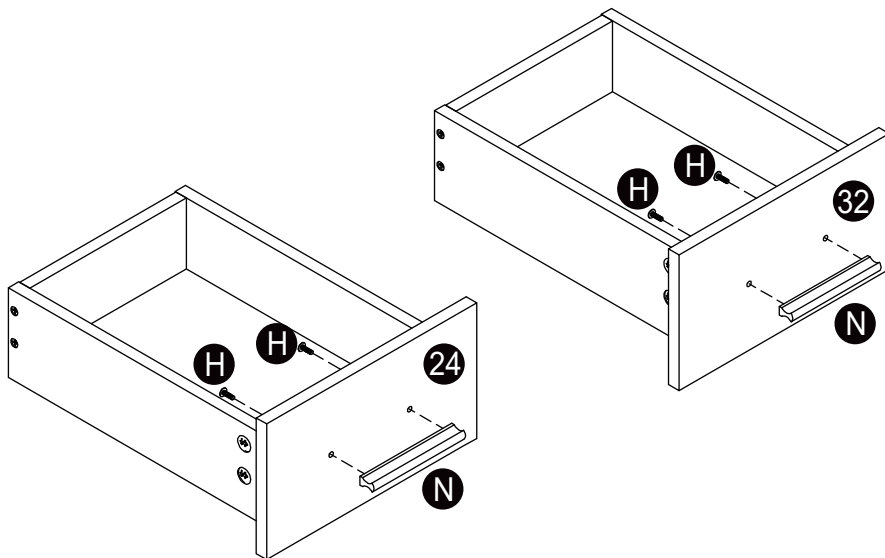
Step 14



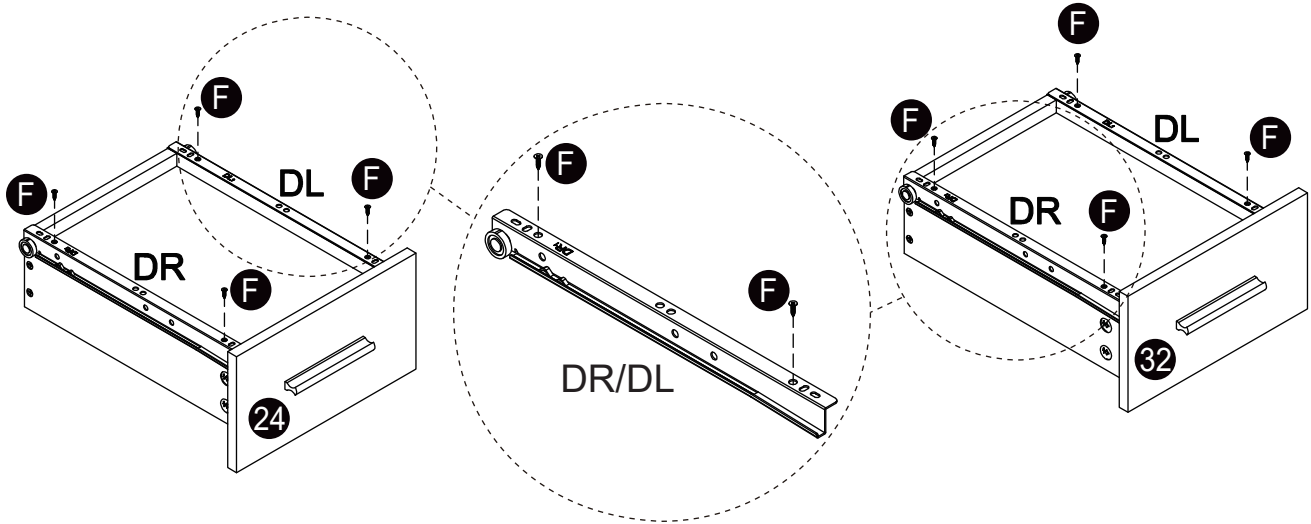
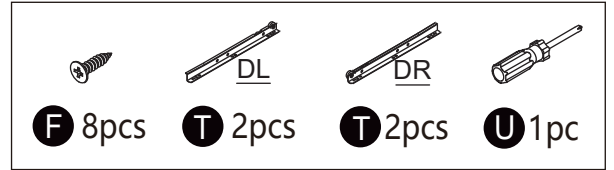
Step 15



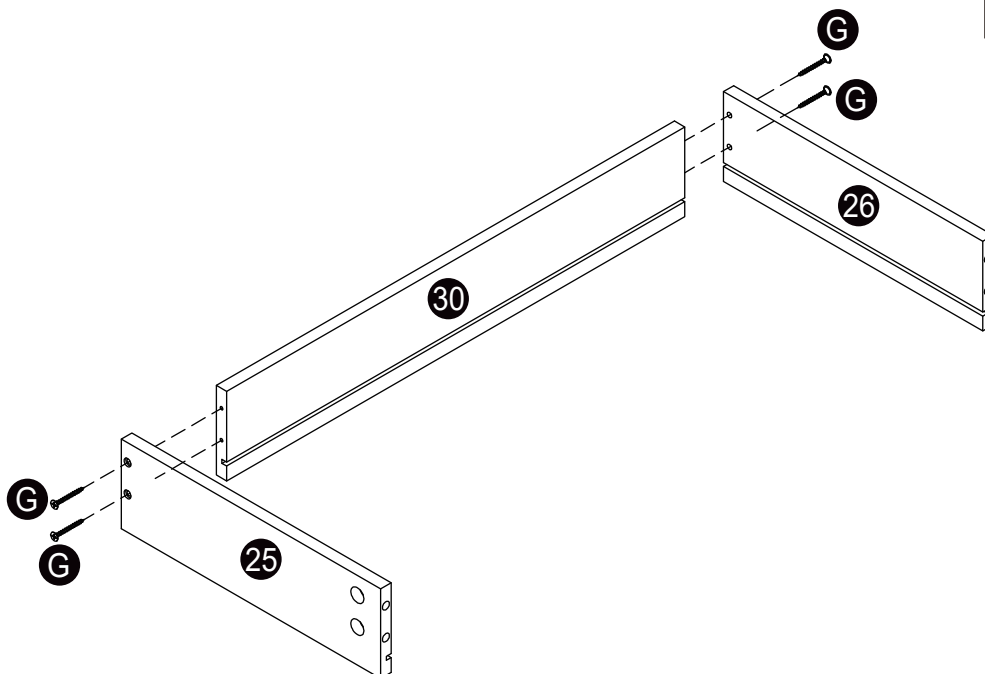
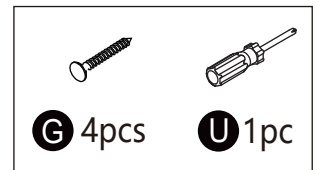
Step 16



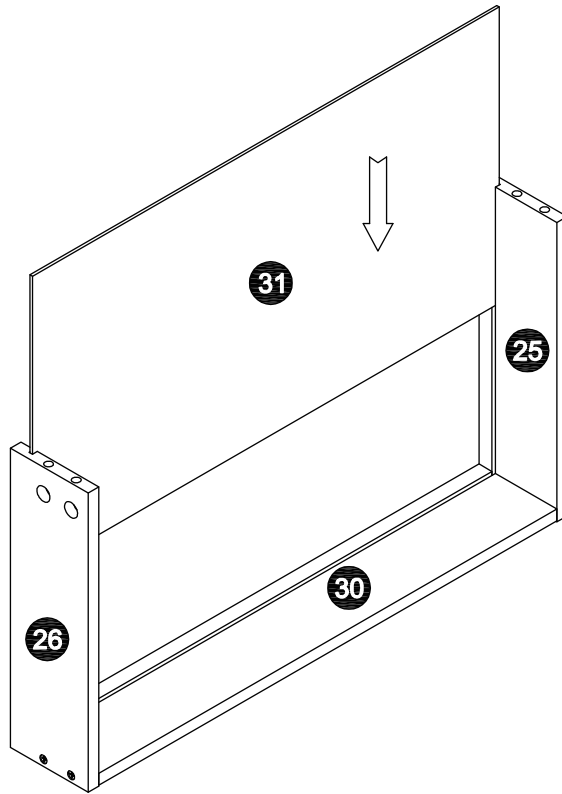
Step 17



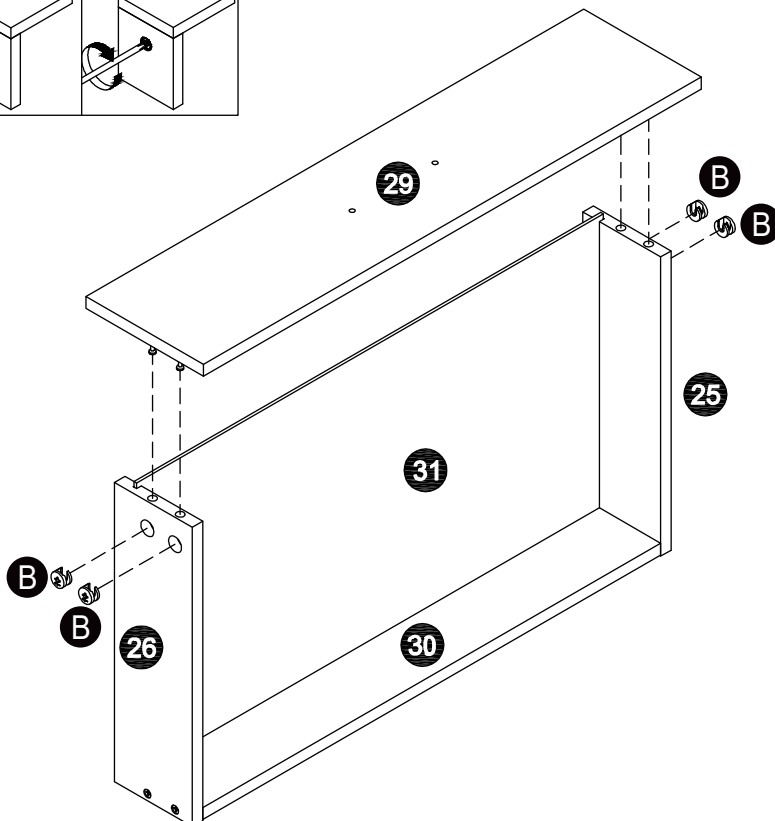
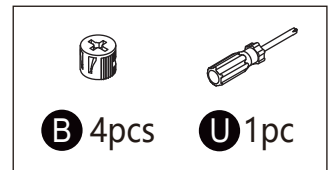
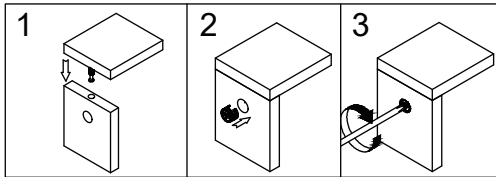
Step 18



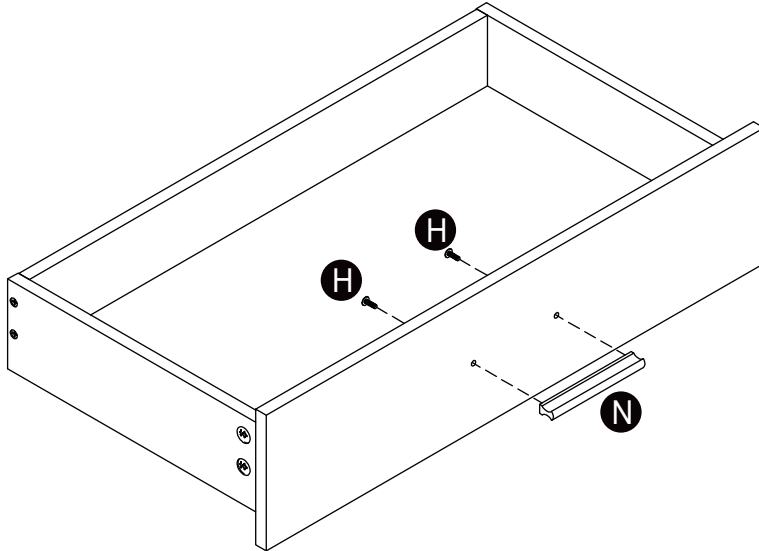
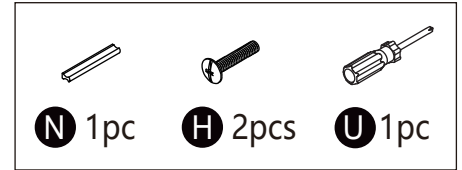
Step 19



Step 20

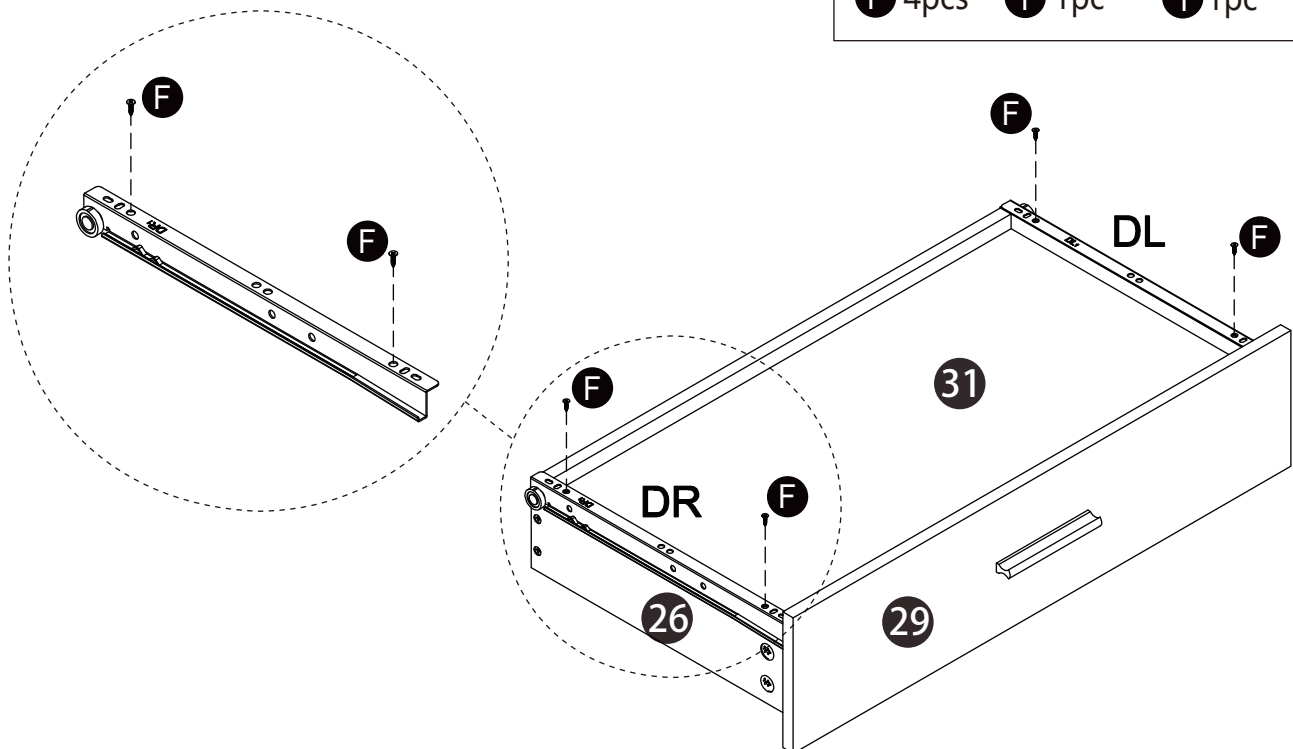
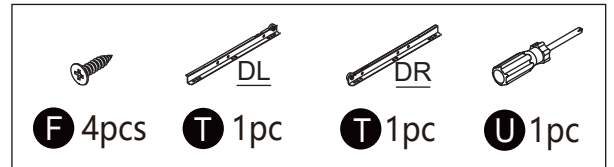


Step 21

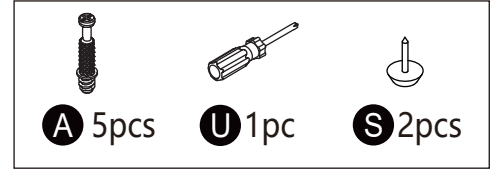
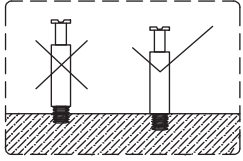


Step 22

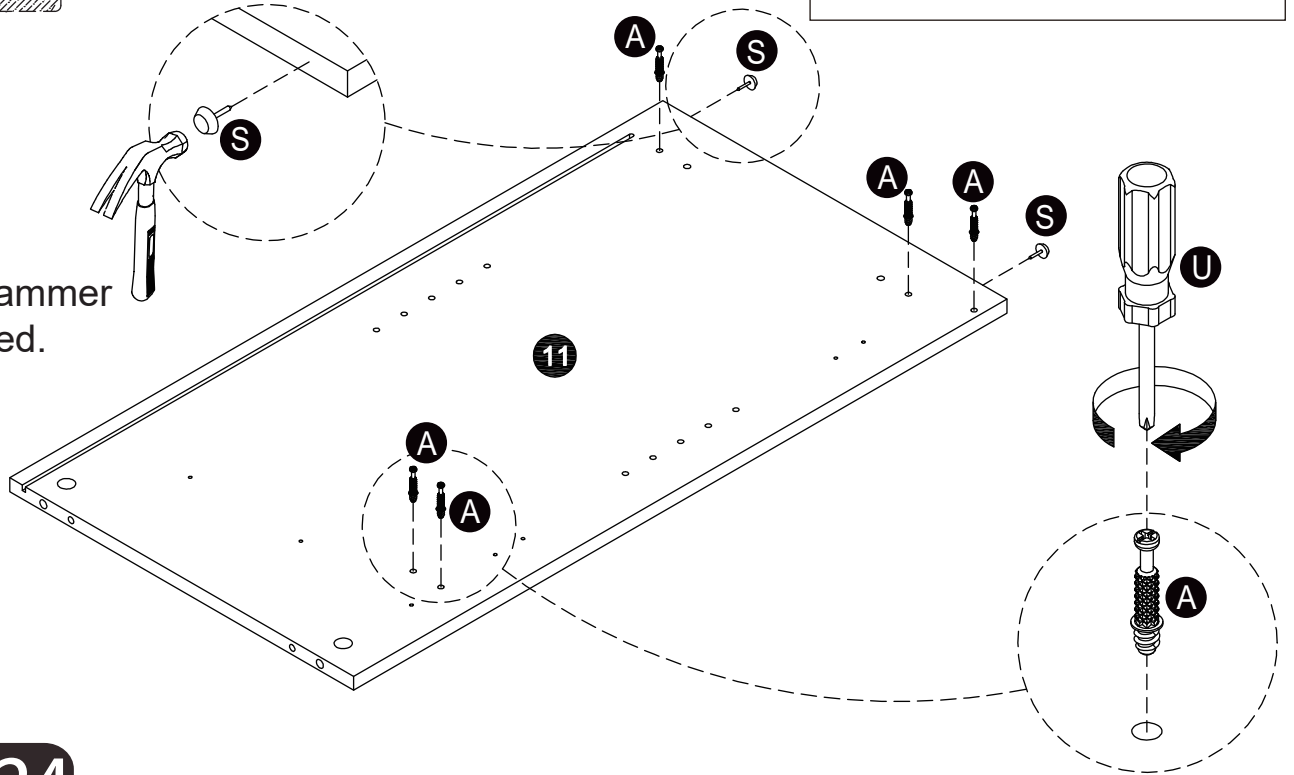
NOTE: Turn the drawer over.



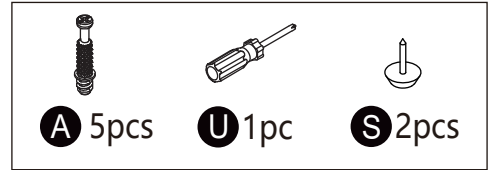
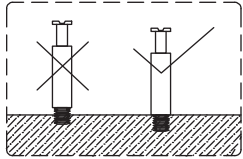
Step 23



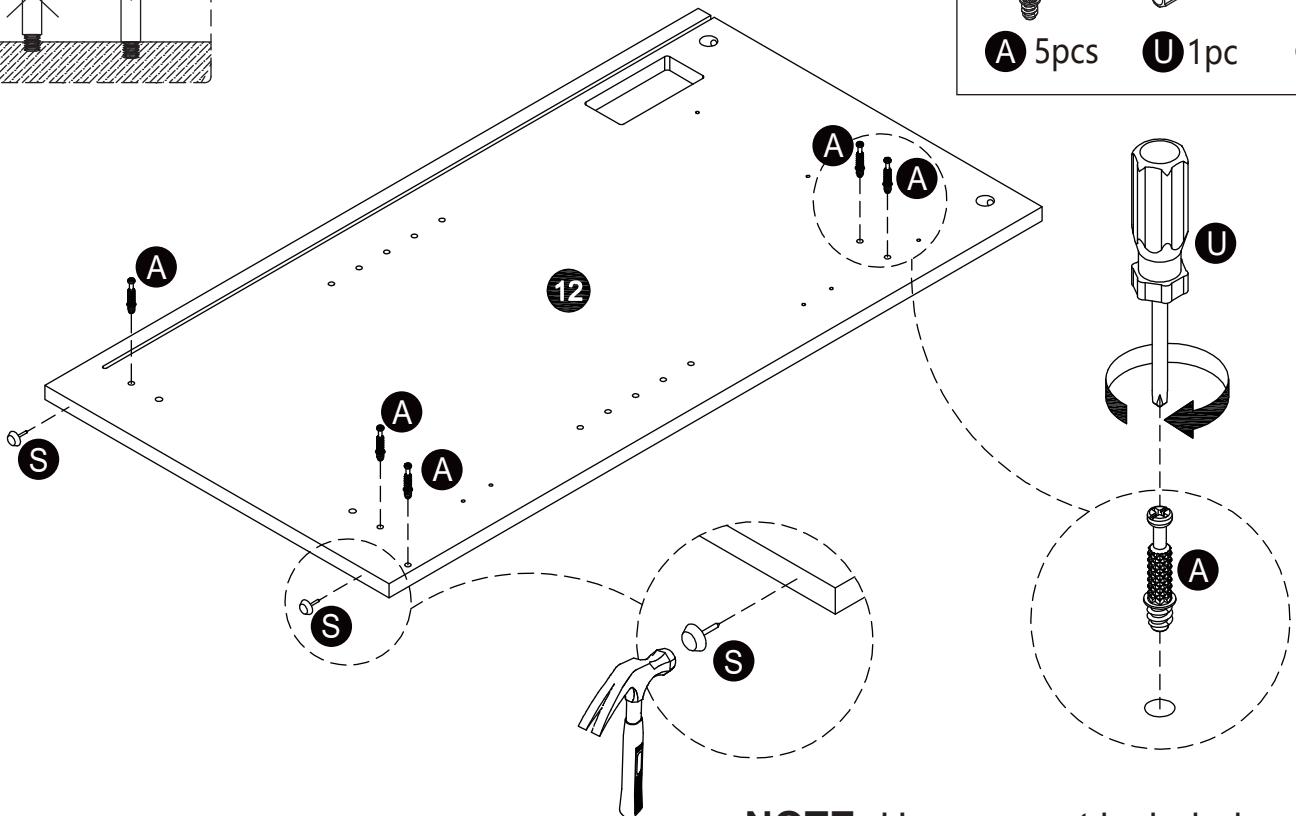
NOTE: Hammer not included.



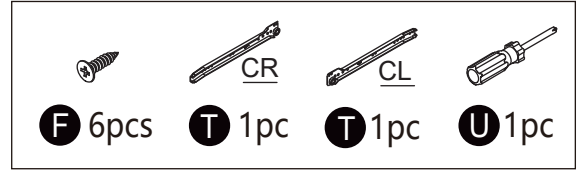
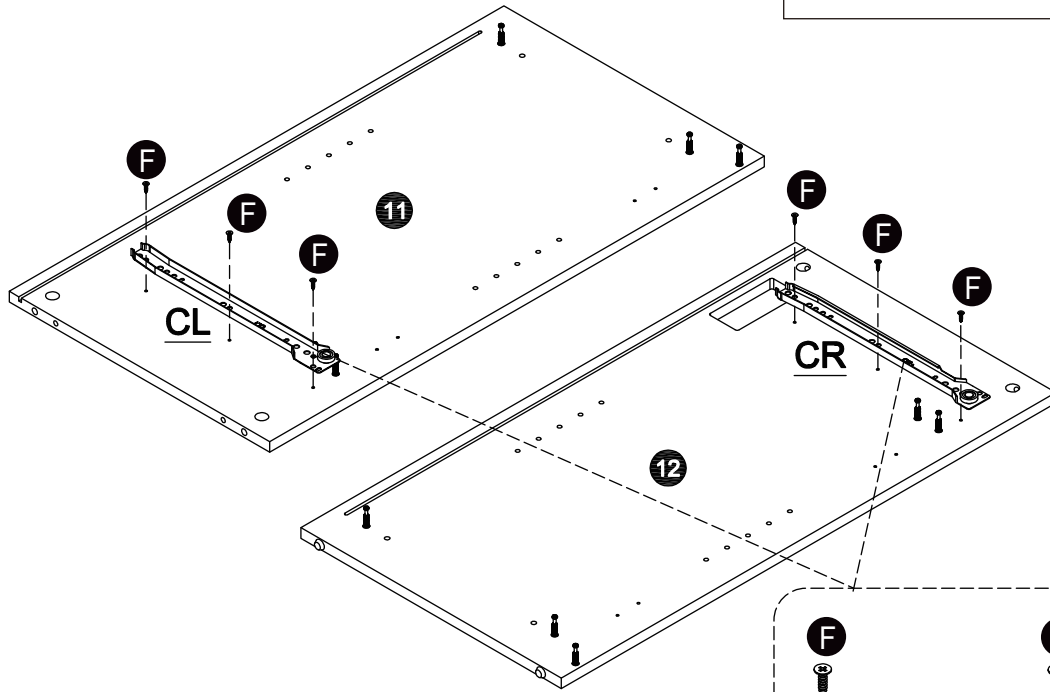
Step 24



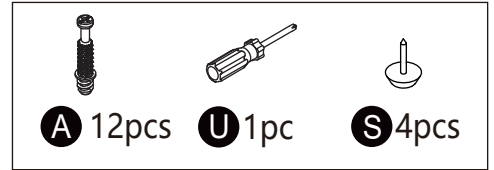
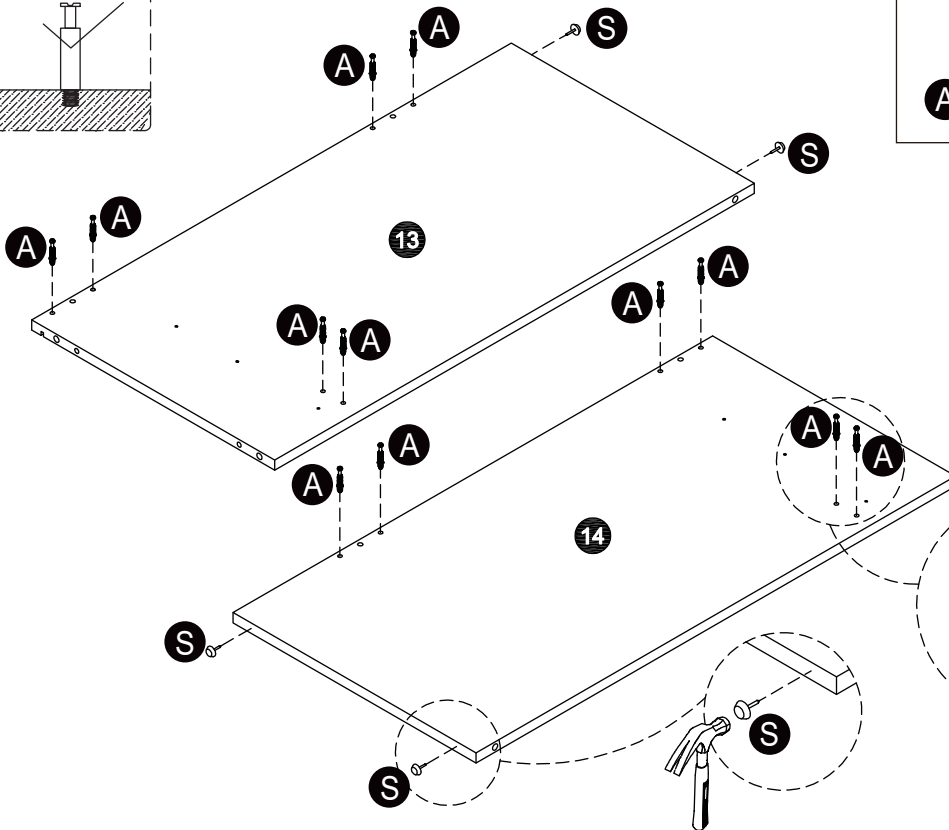
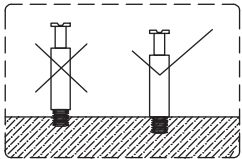
NOTE: Hammer not included.



Step 25

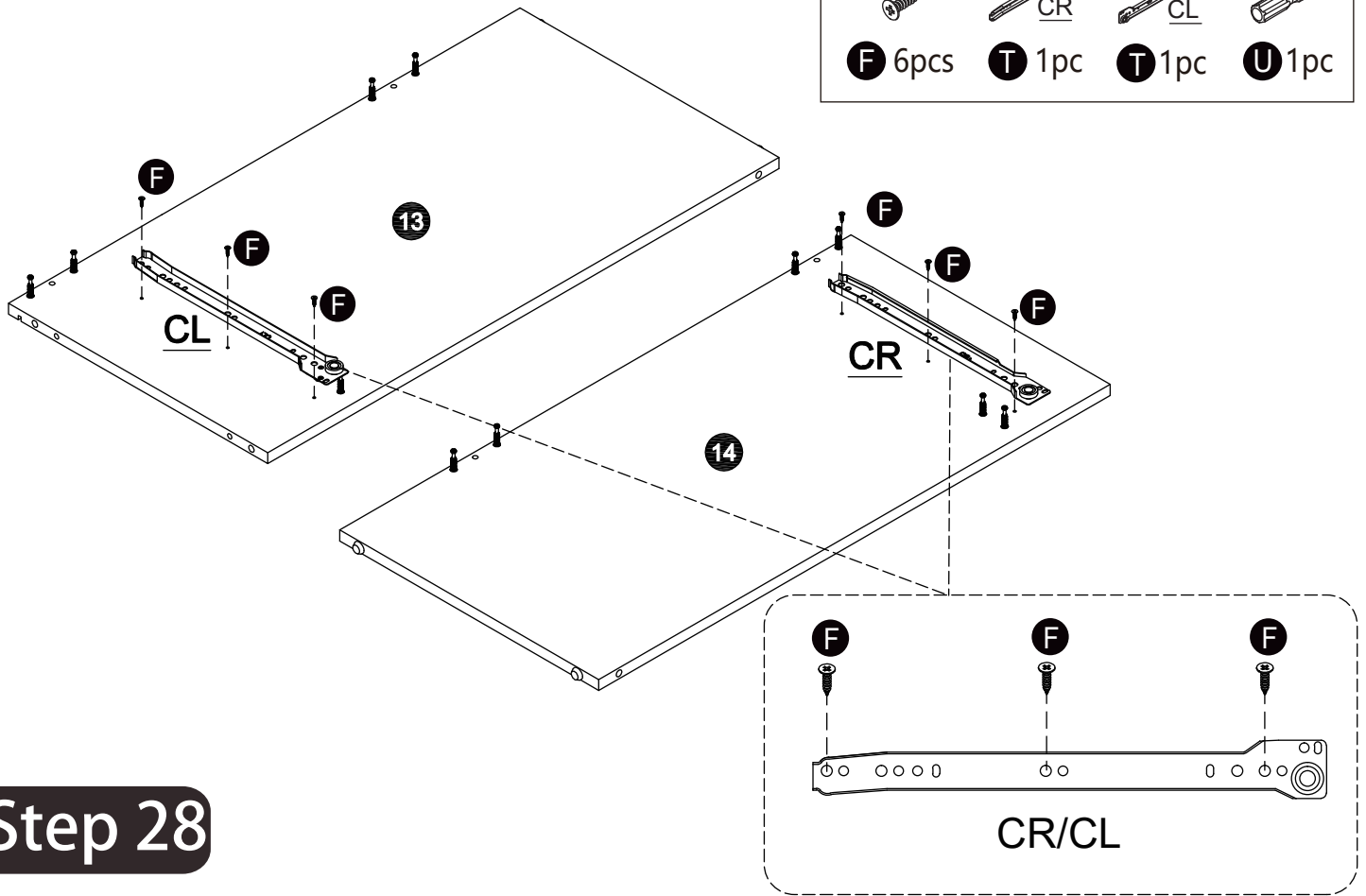


Step 26

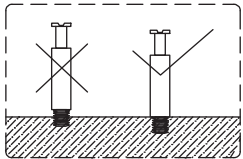


NOTE: Hammer not included.

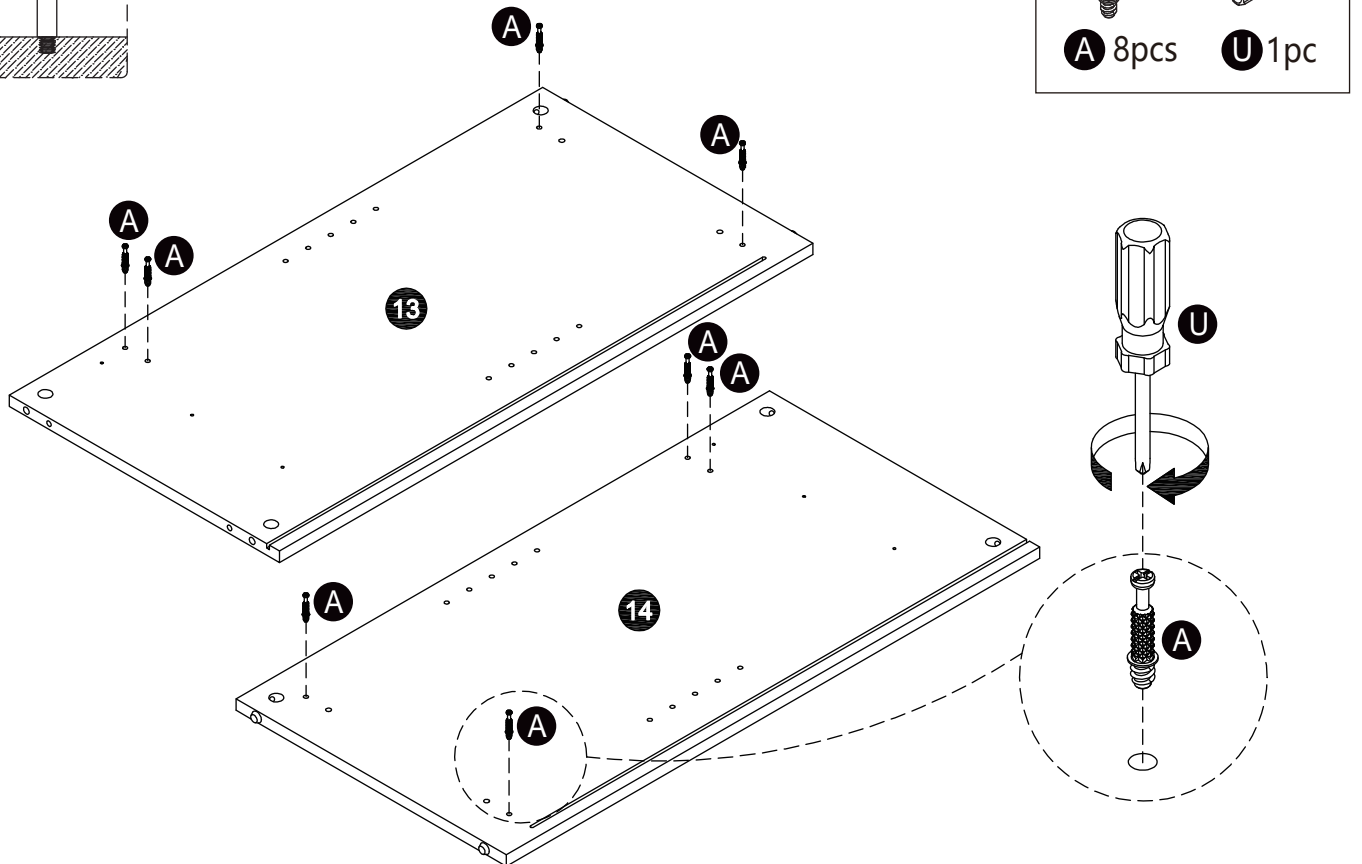
Step 27



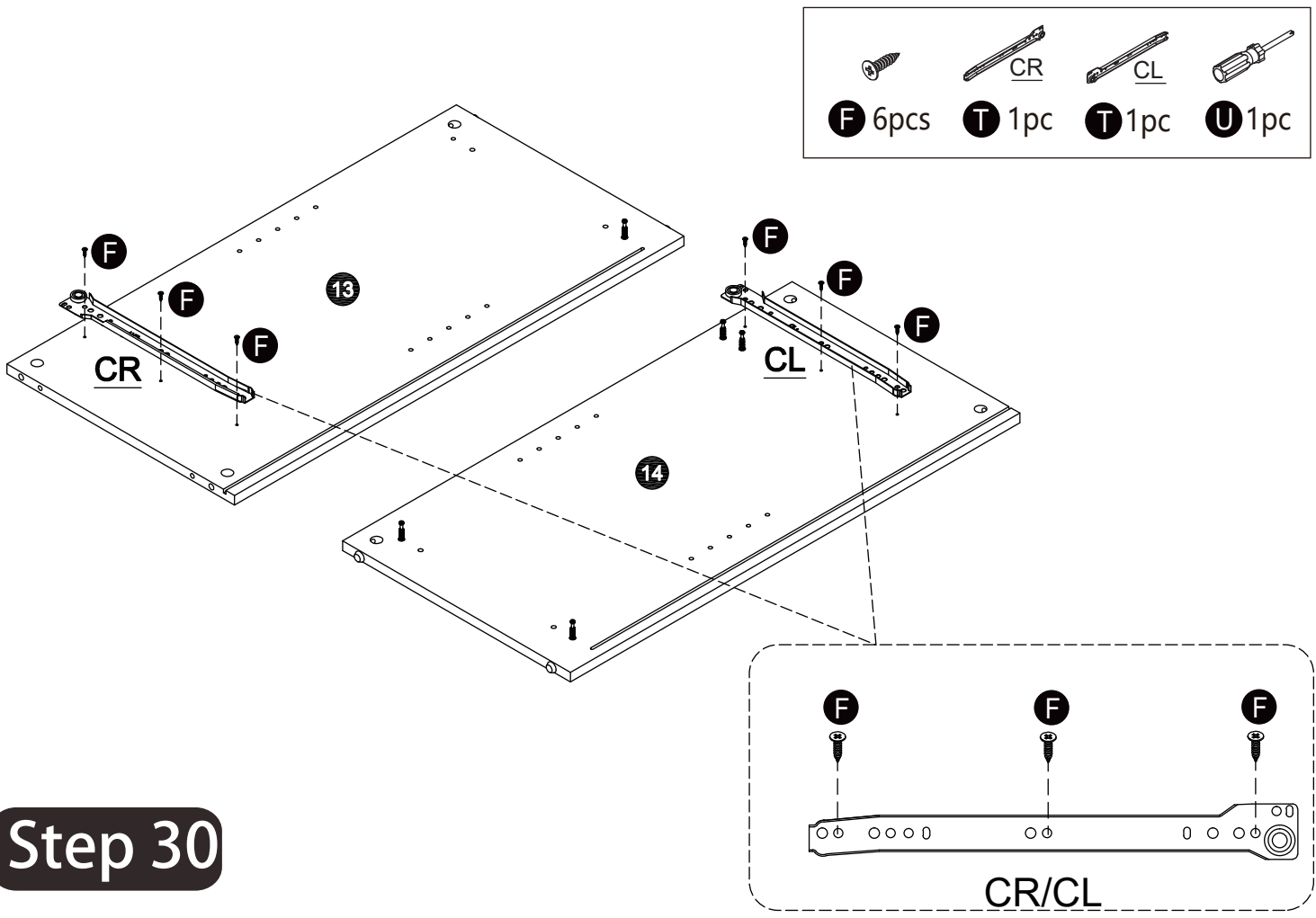
Step 28



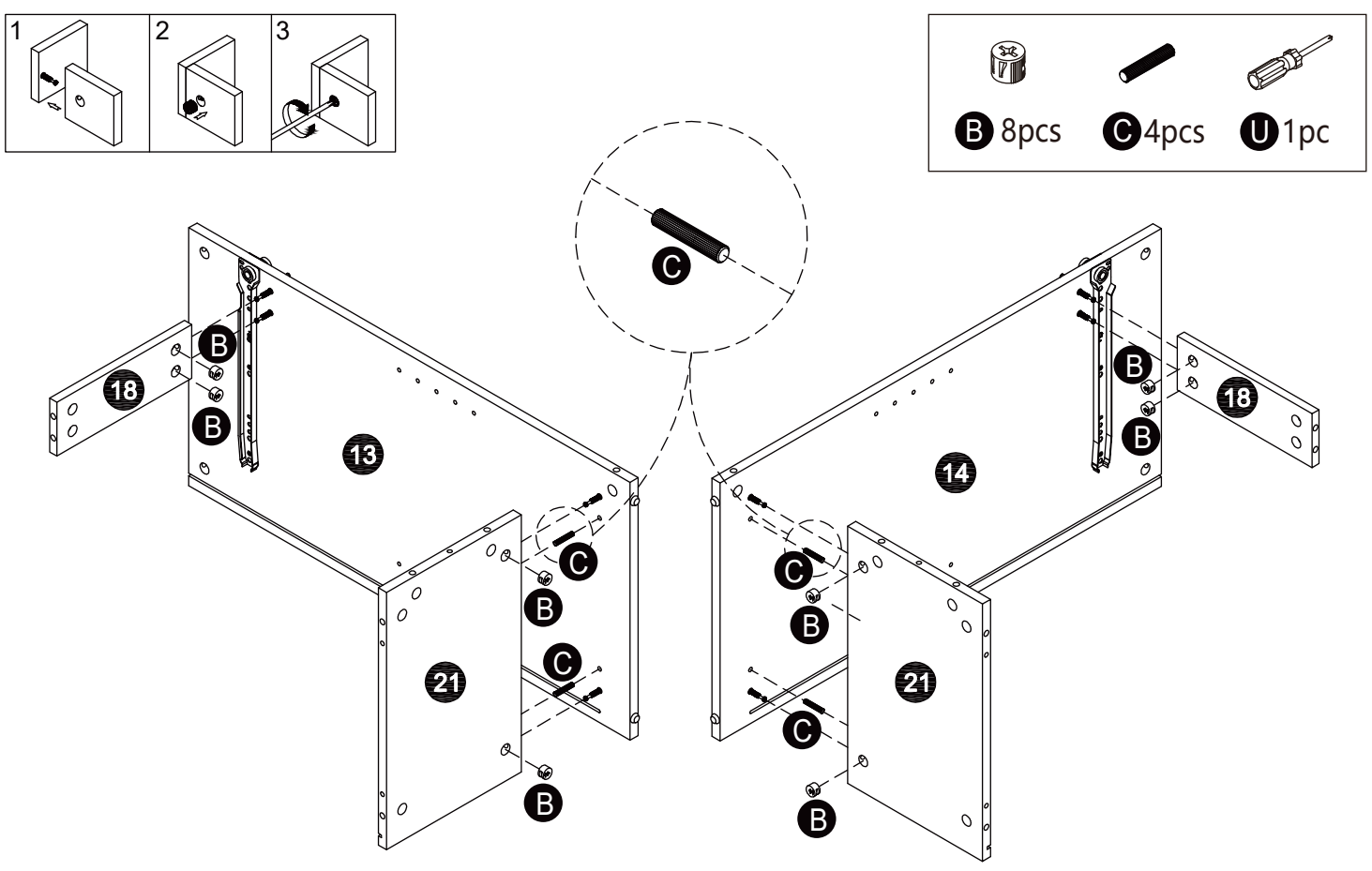
NOTE: Turn Board 13 & 14 over.



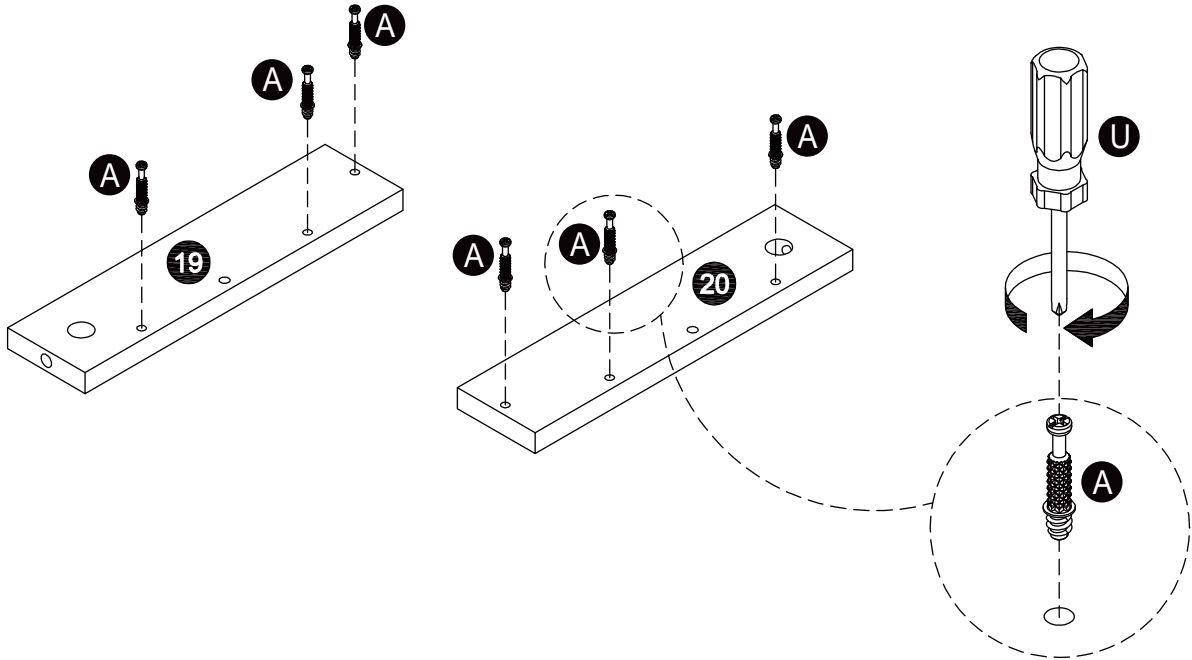
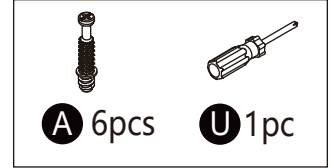
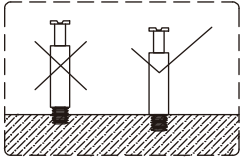
Step 29



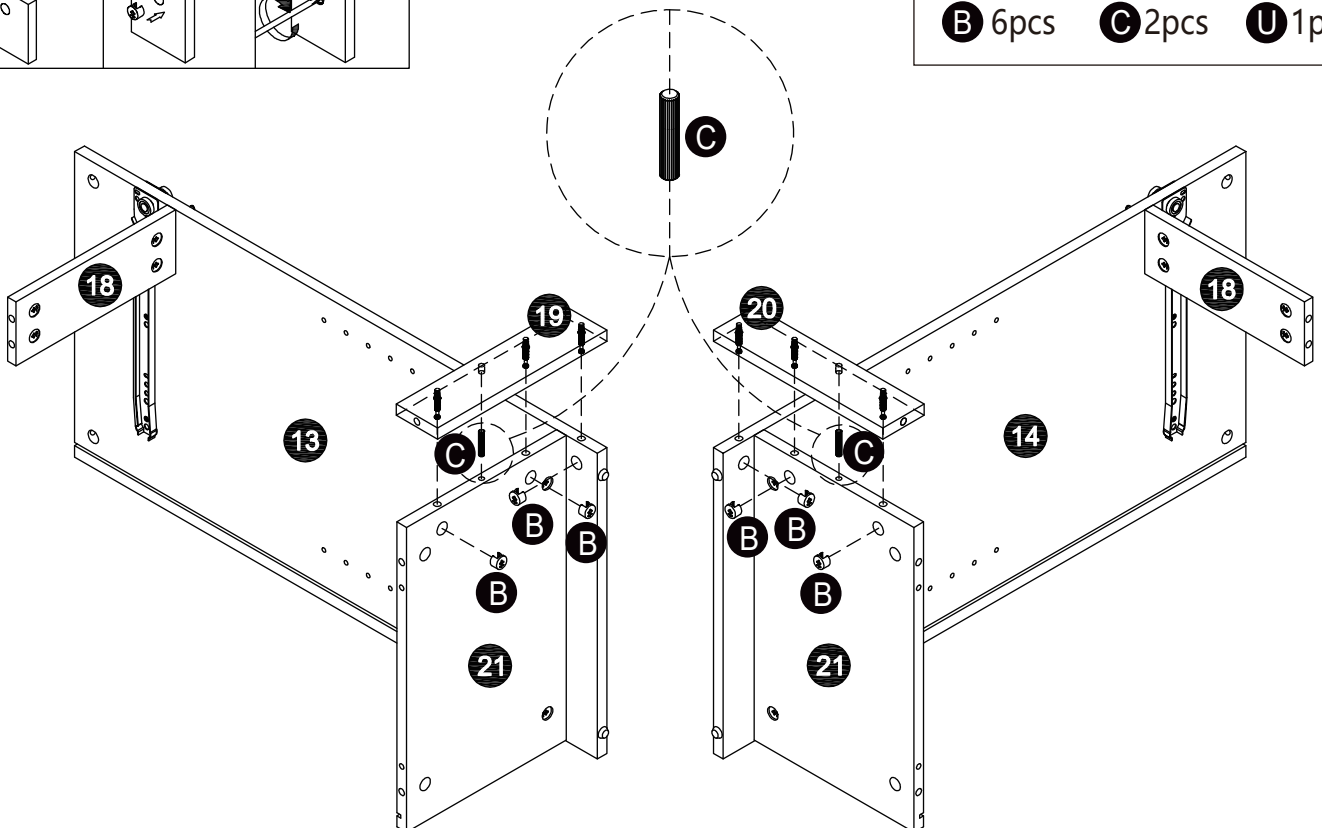
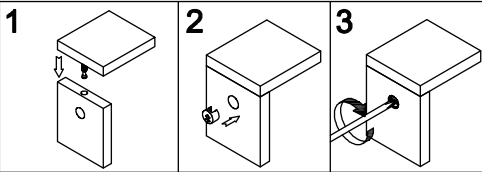
Step 30



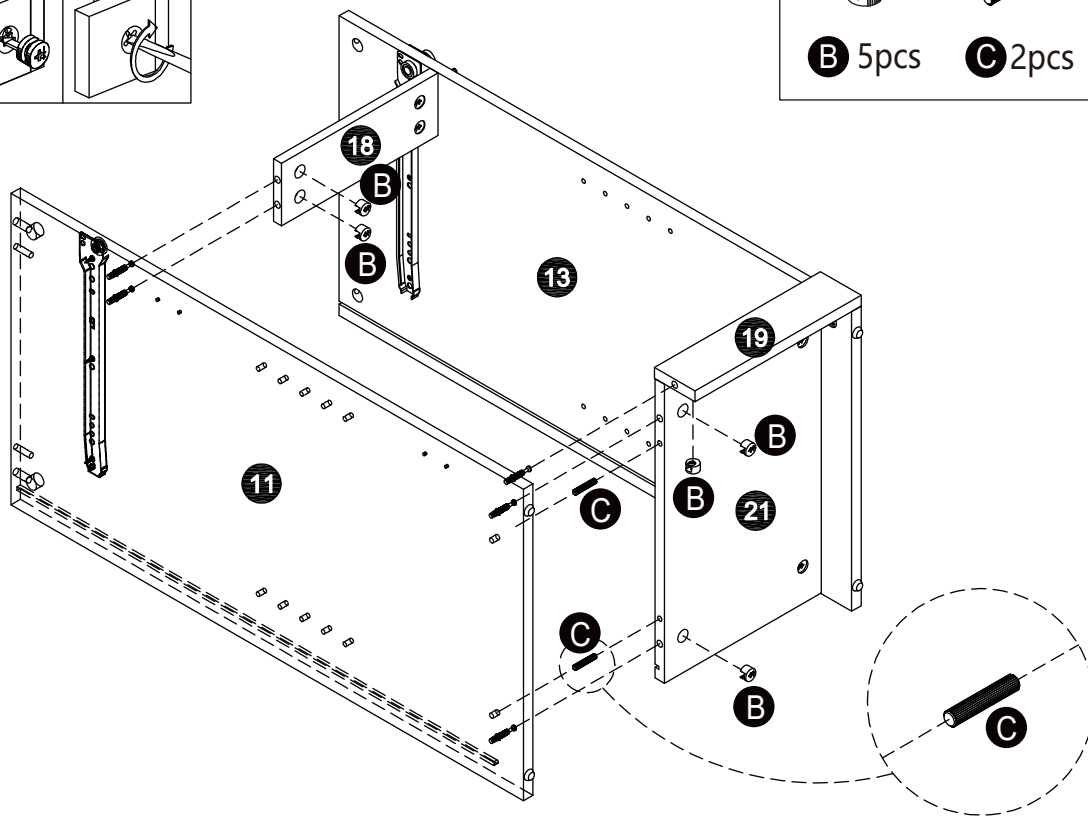
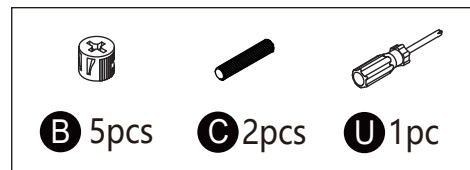
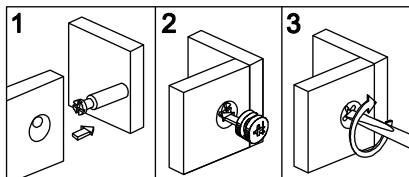
Step 31



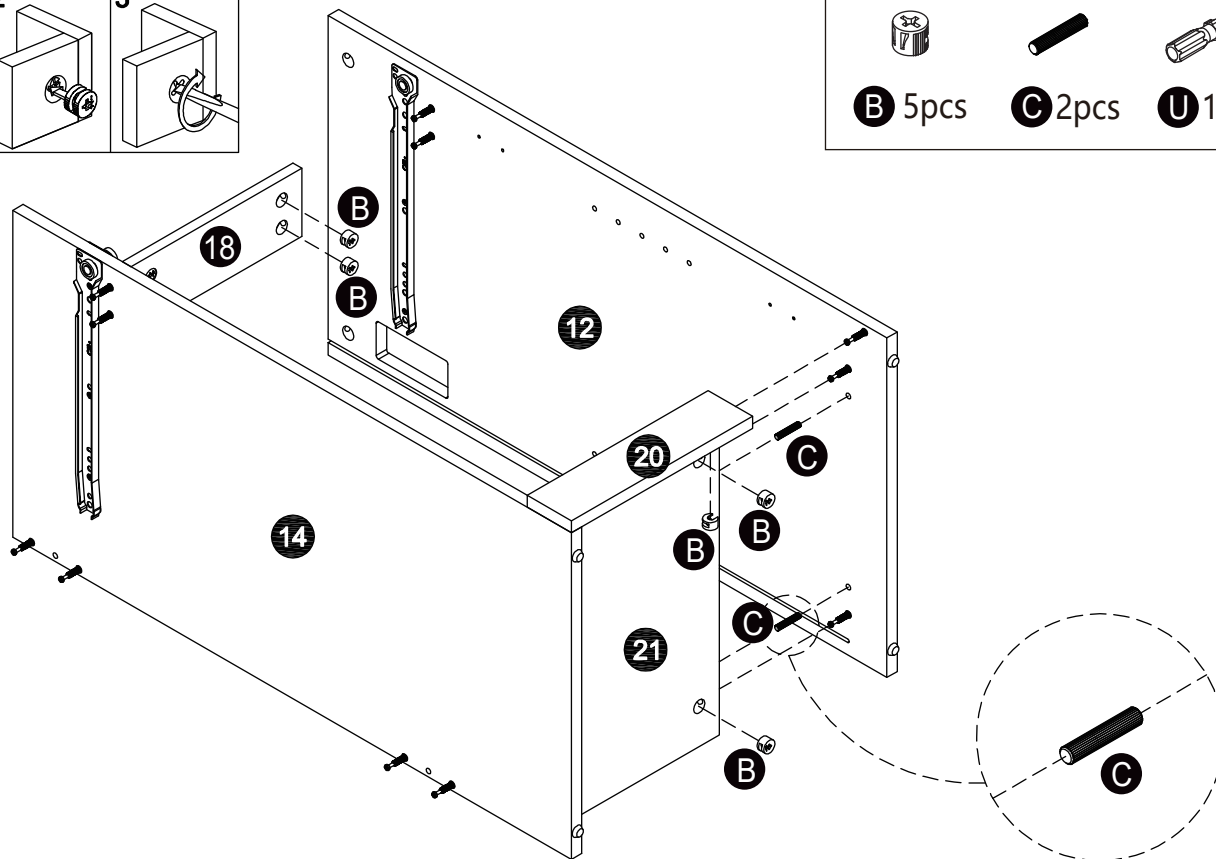
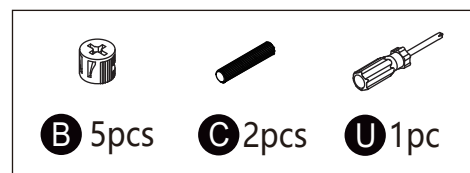
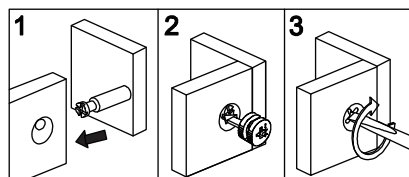
Step 32



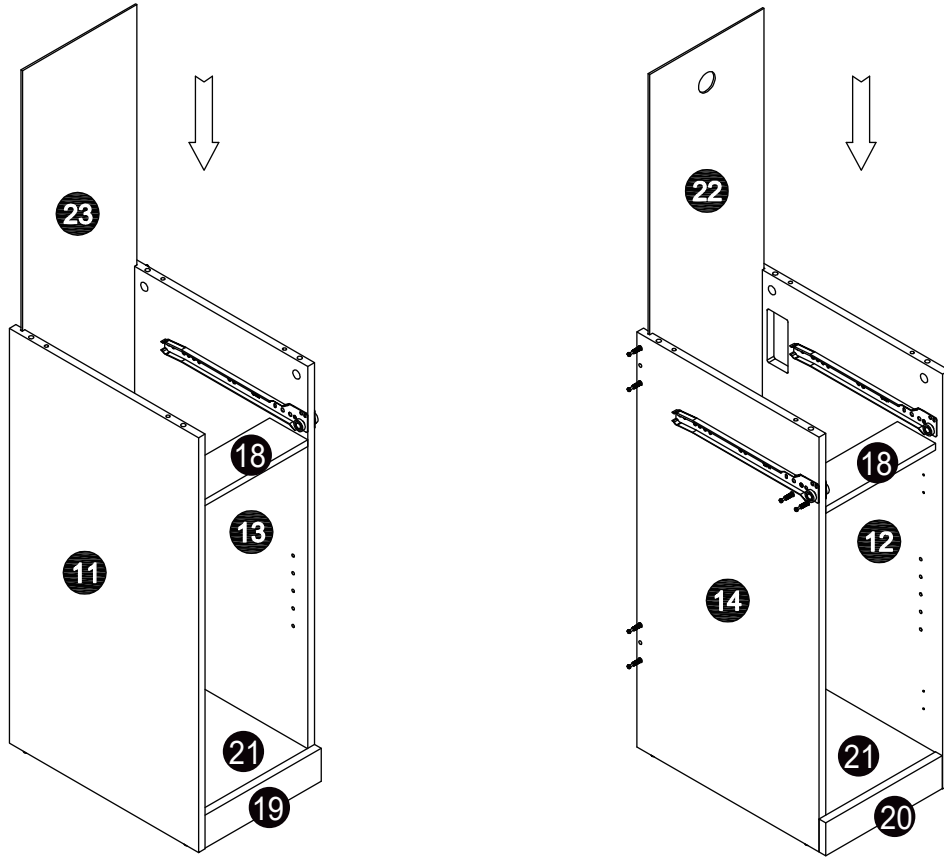
Step 33



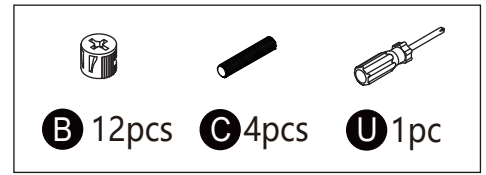
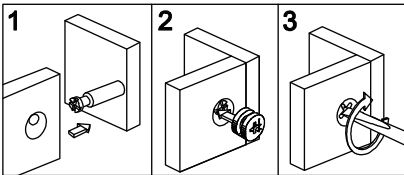
Step 34



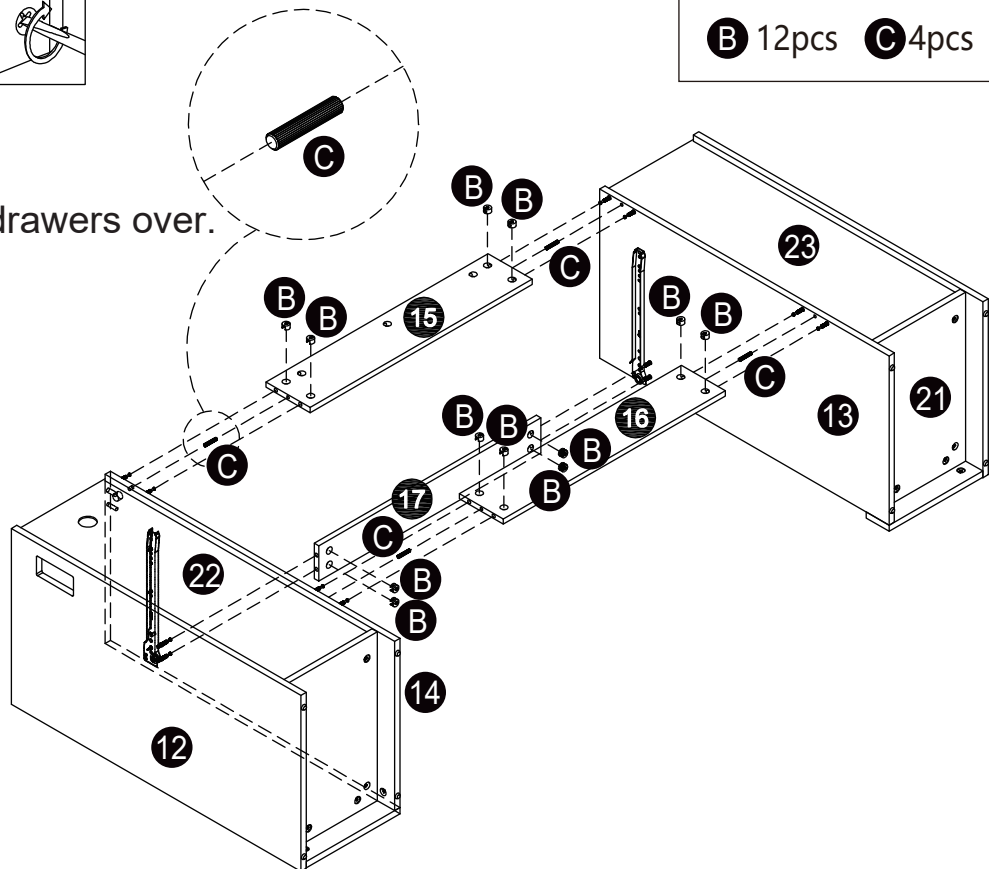
Step 35



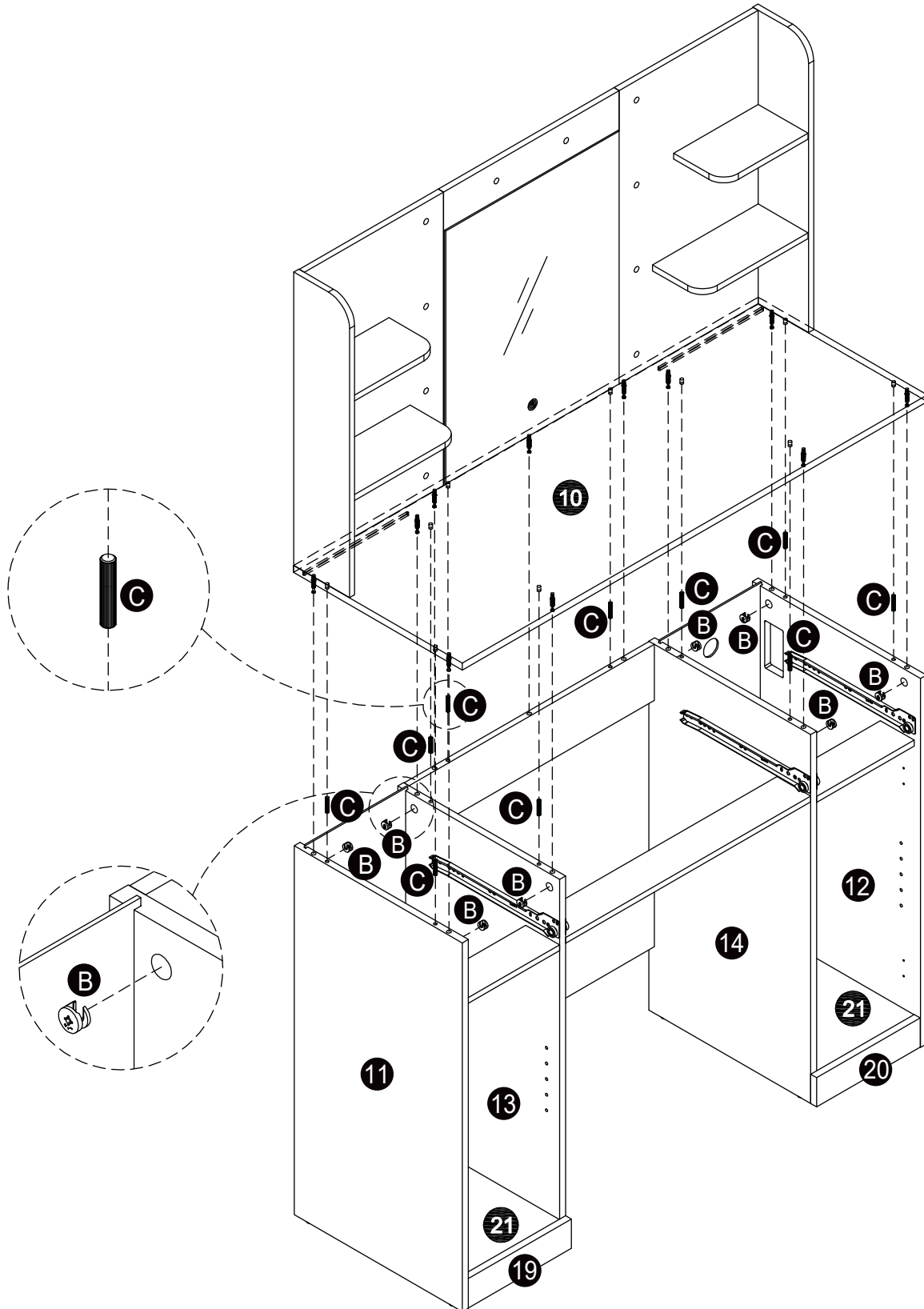
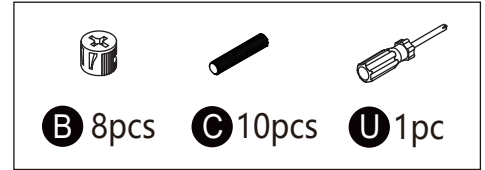
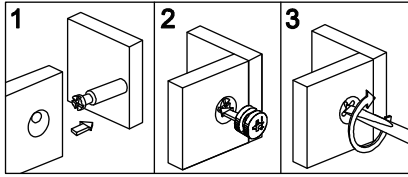
Step 36



NOTE: Turn the drawers over.

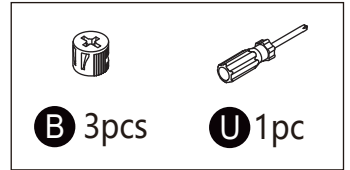
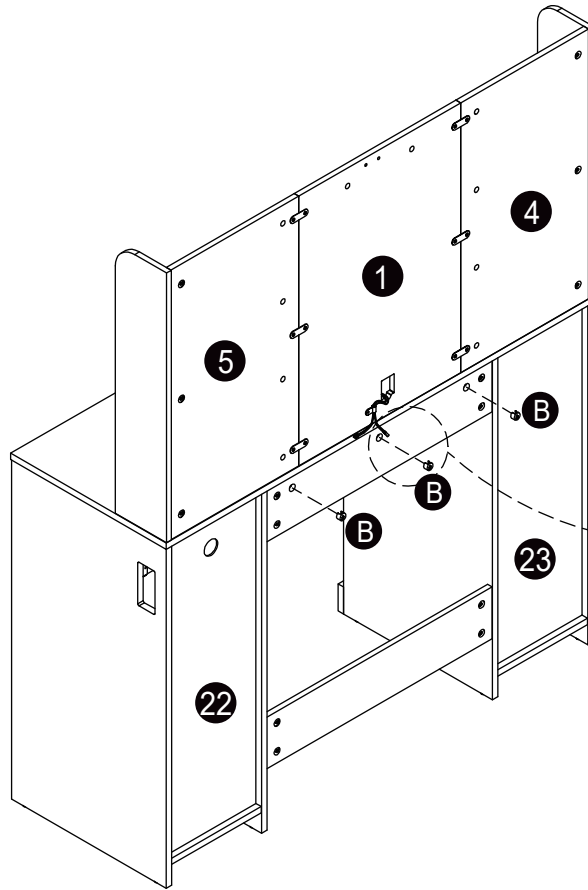
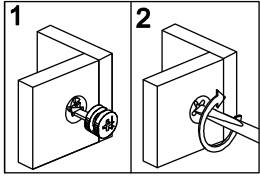


Step 37

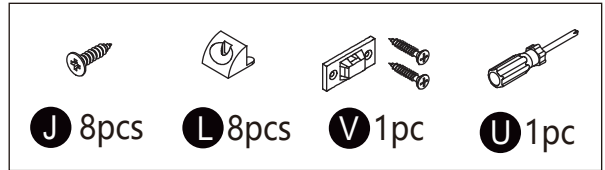
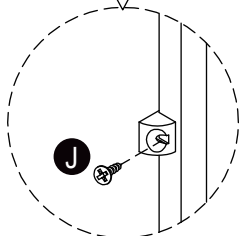
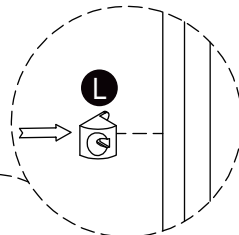
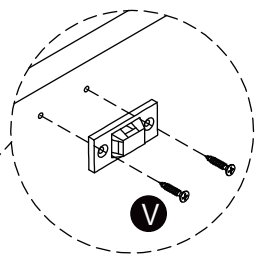
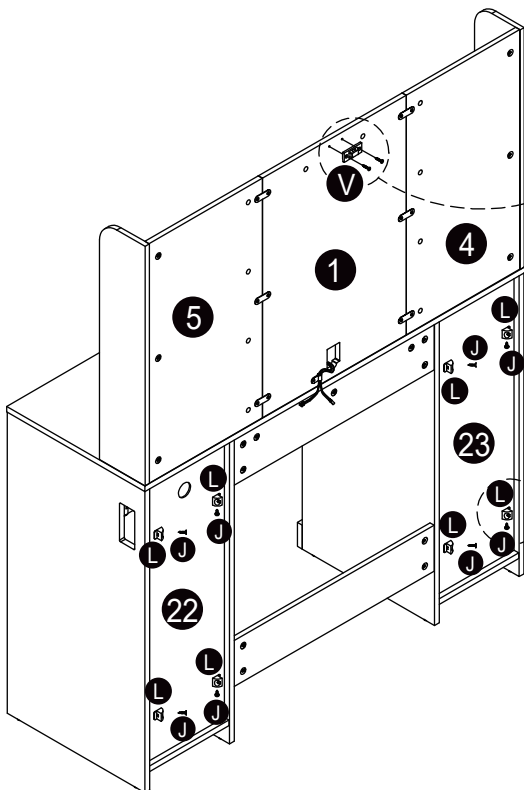


NOTE: This product requires at least two people for installation.

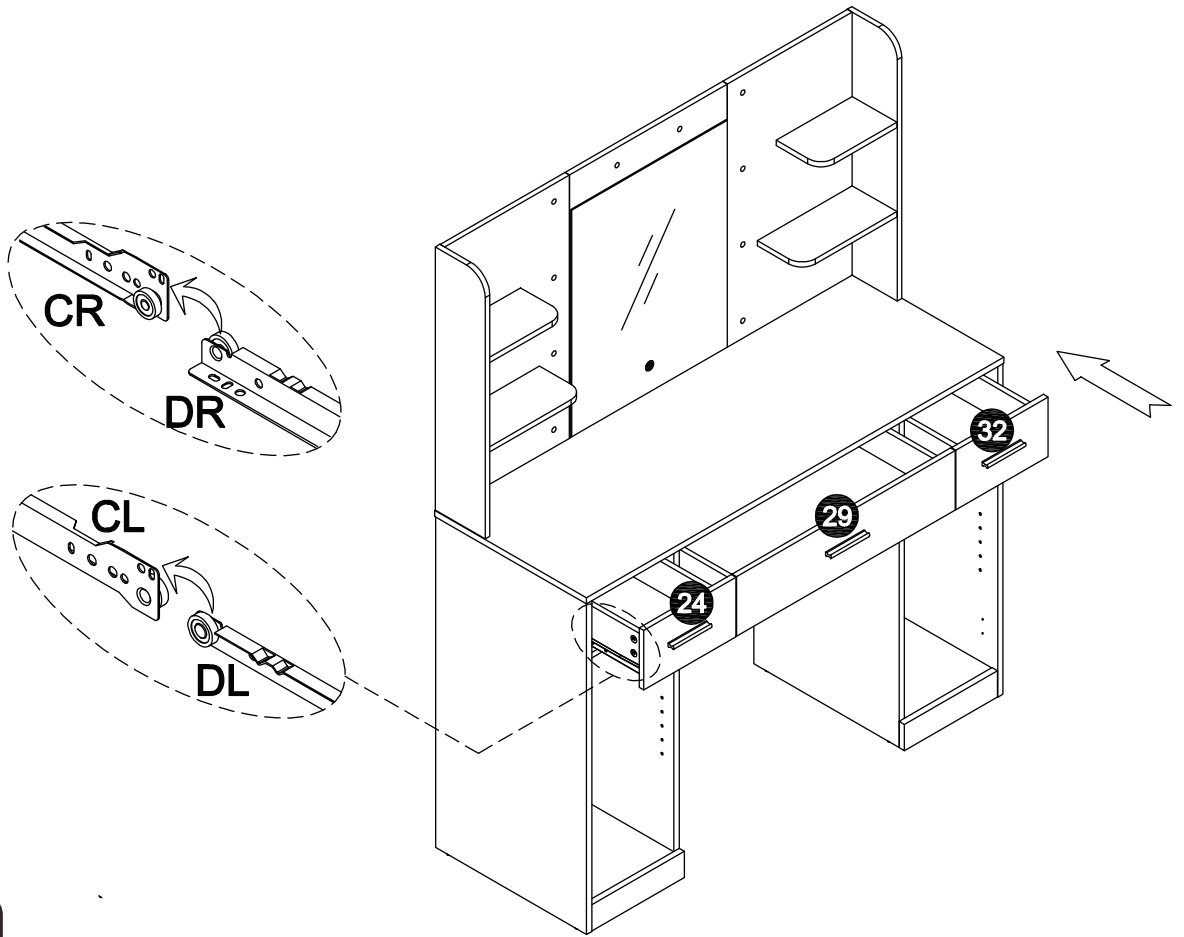
Step 38



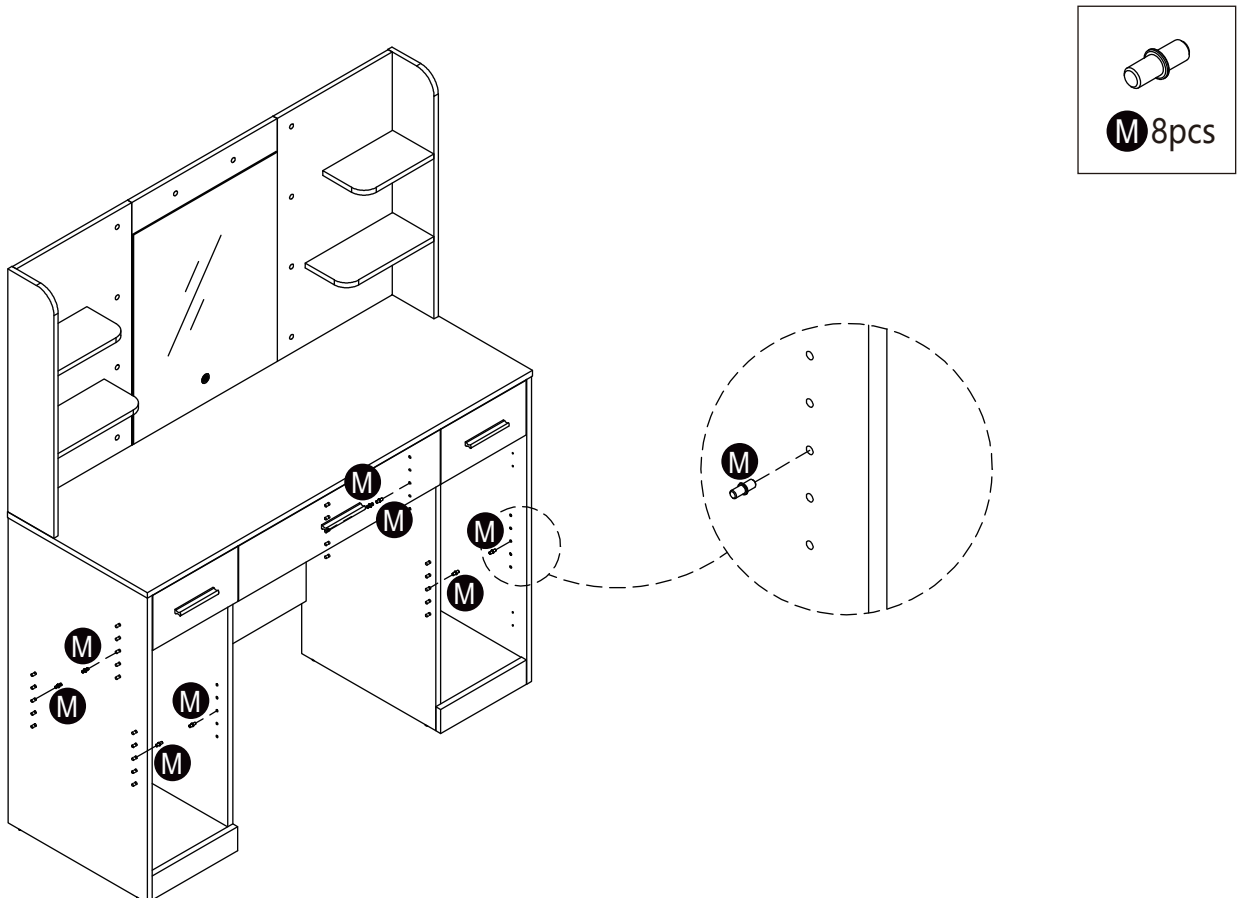
Step 39



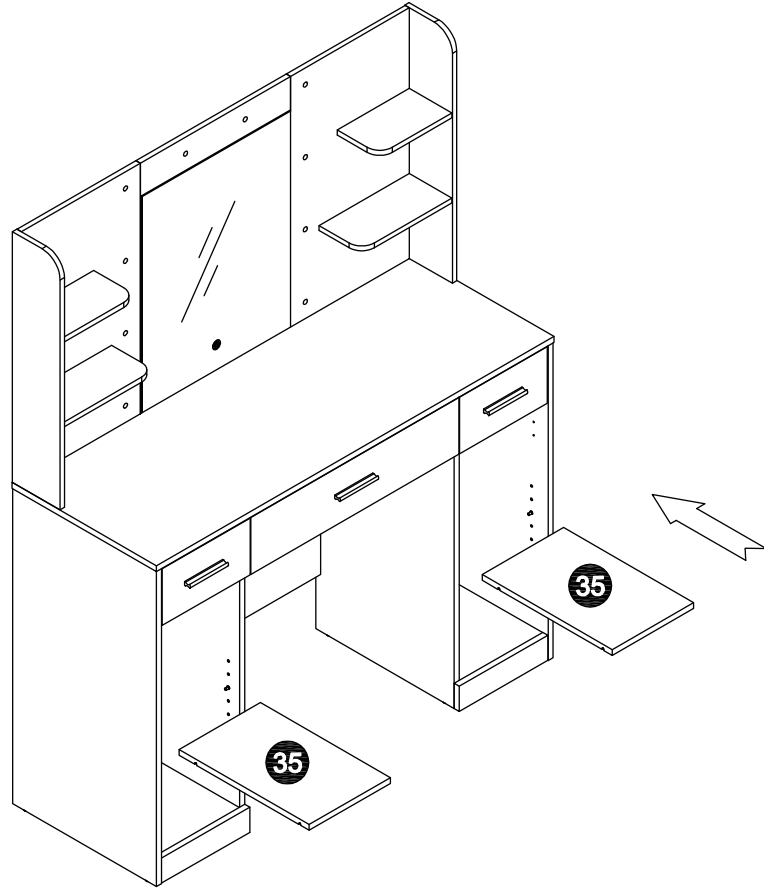
Step 40



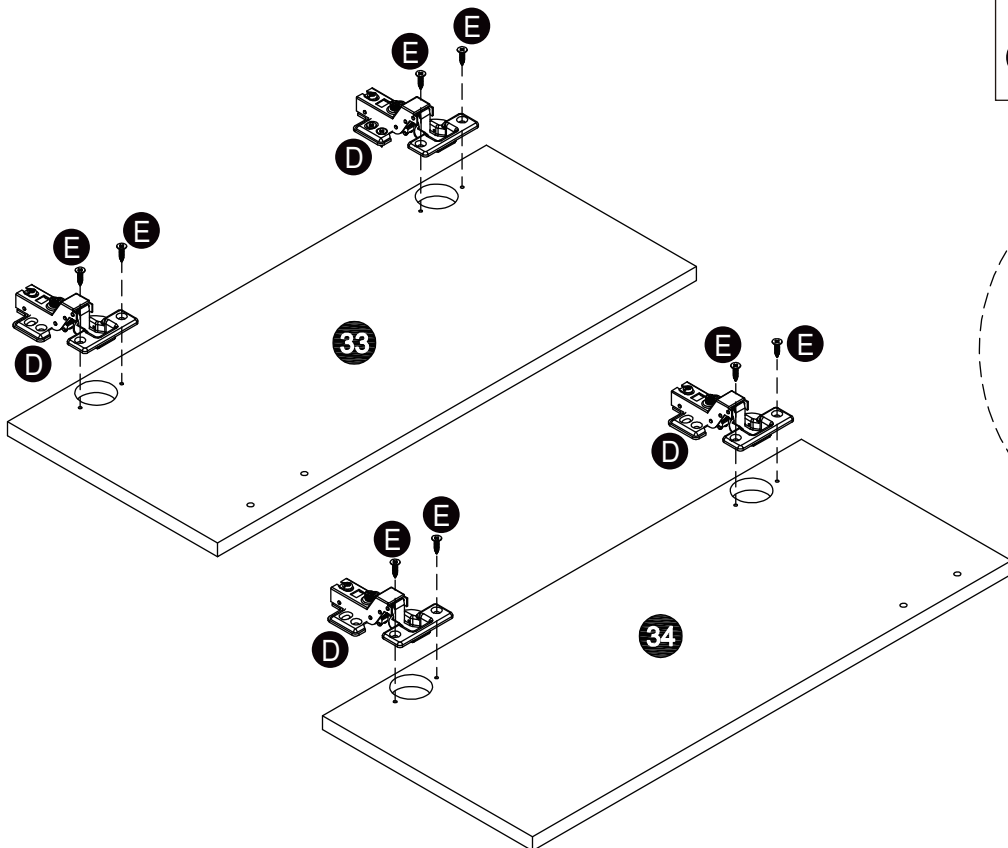
Step 41



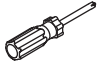


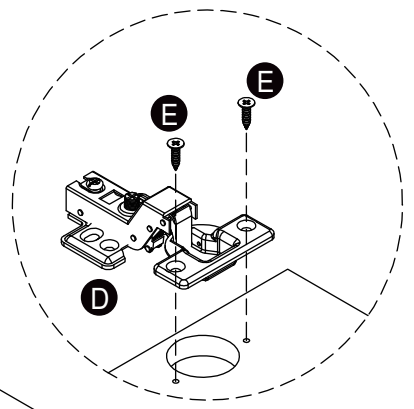
Step 42



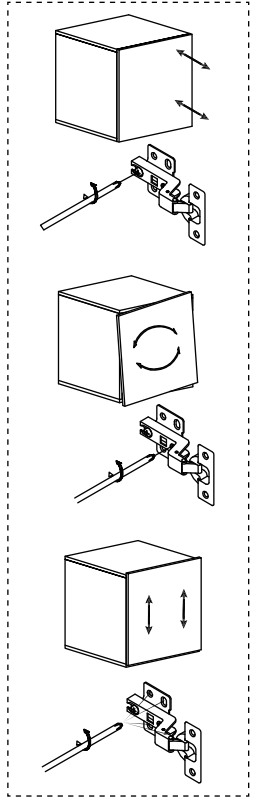
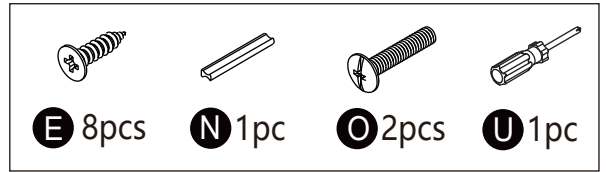
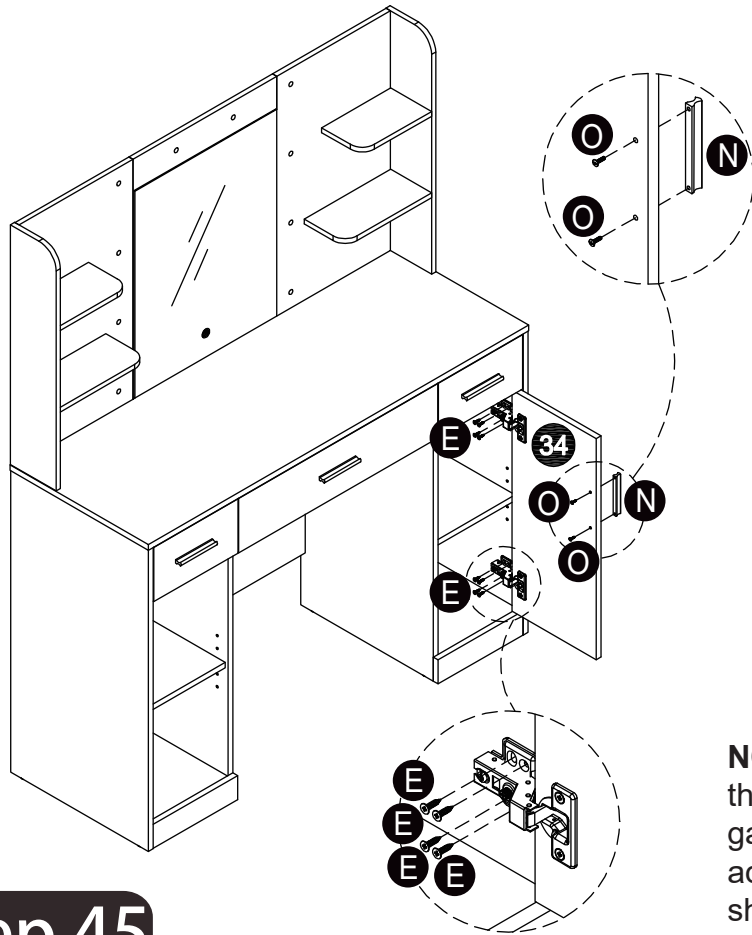
Step 43



		
D 4pcs	E 8pcs	U 1pc

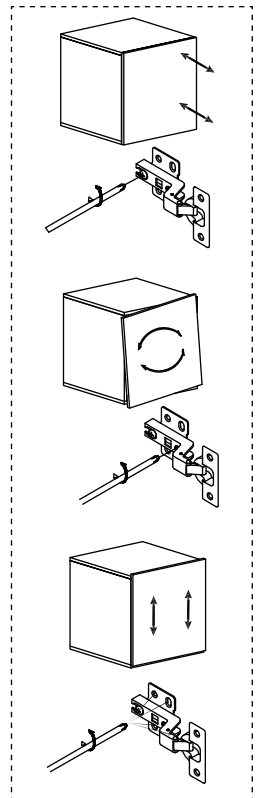
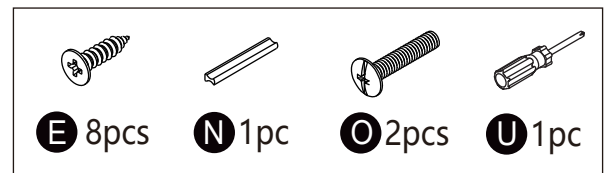
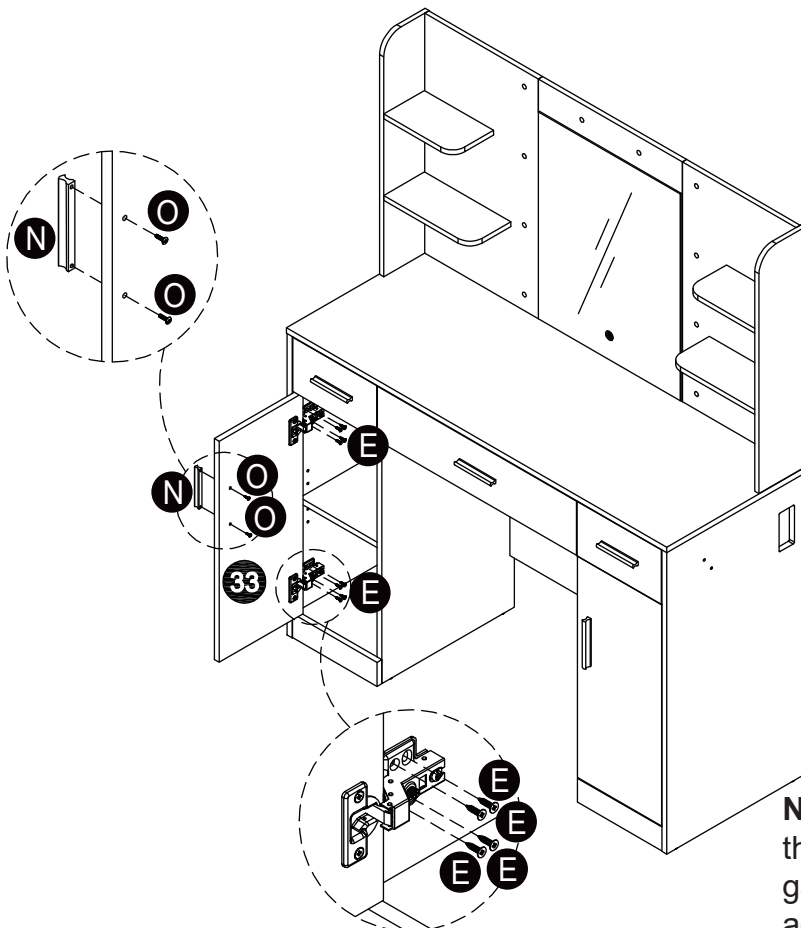


Step 44



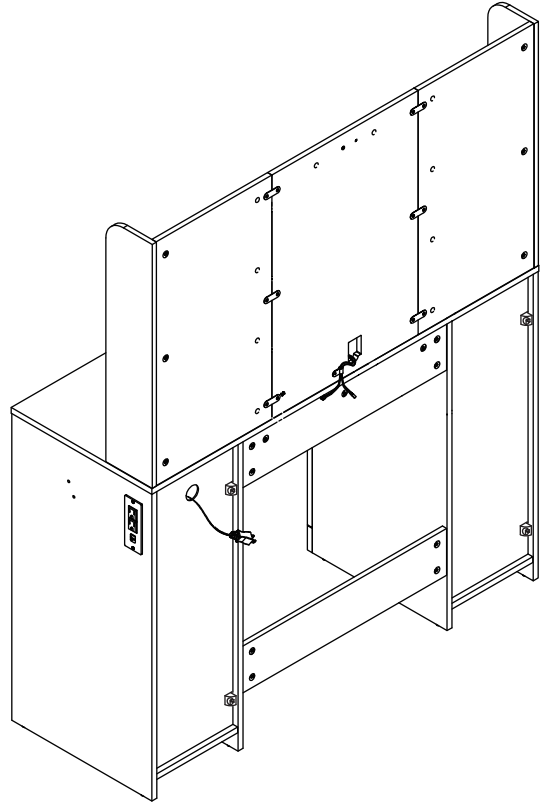
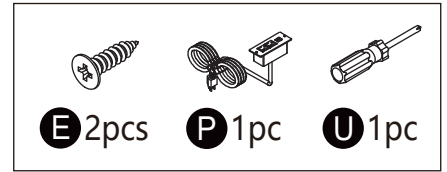
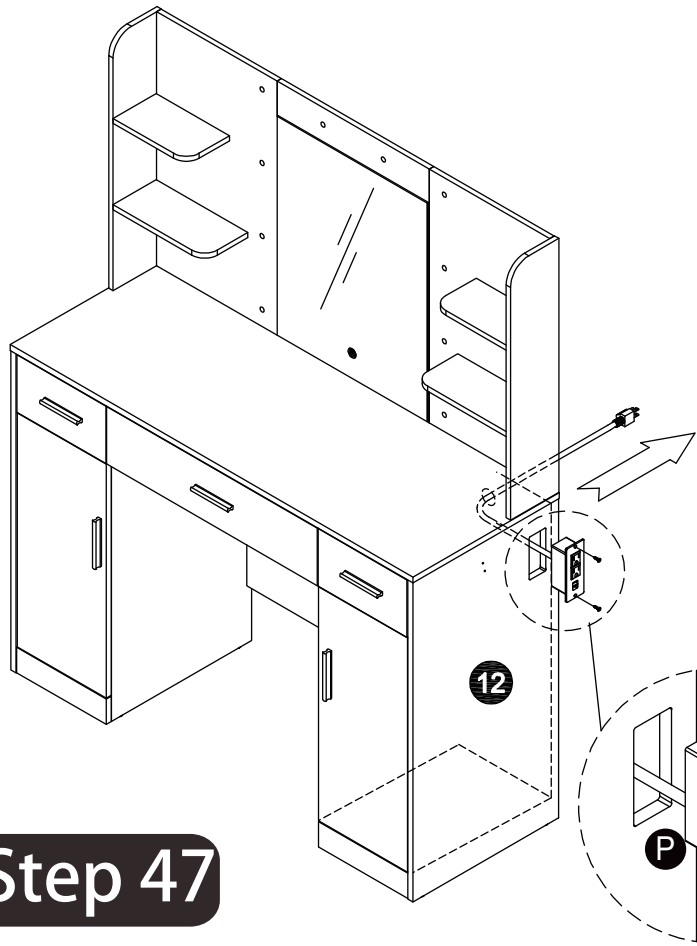
NOTE: After assembling the door, if there are any gaps or misalignment, adjust the hinges as shown right.

Step 45

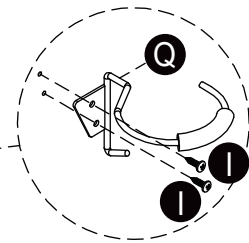
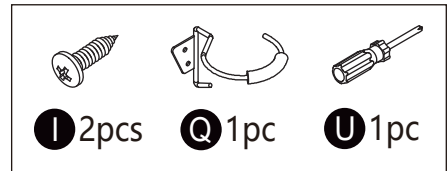
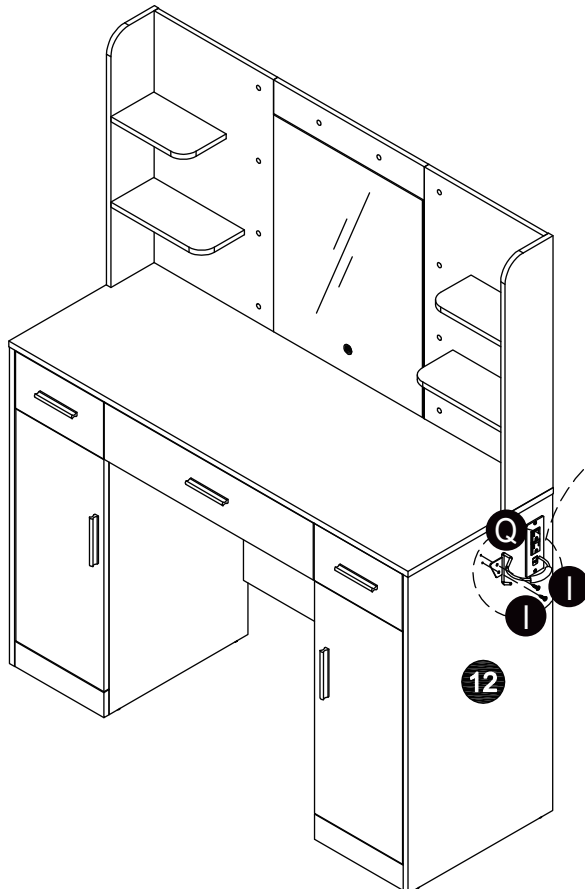


NOTE: After assembling the door, if there are any gaps or misalignment, adjust the hinges as shown right.

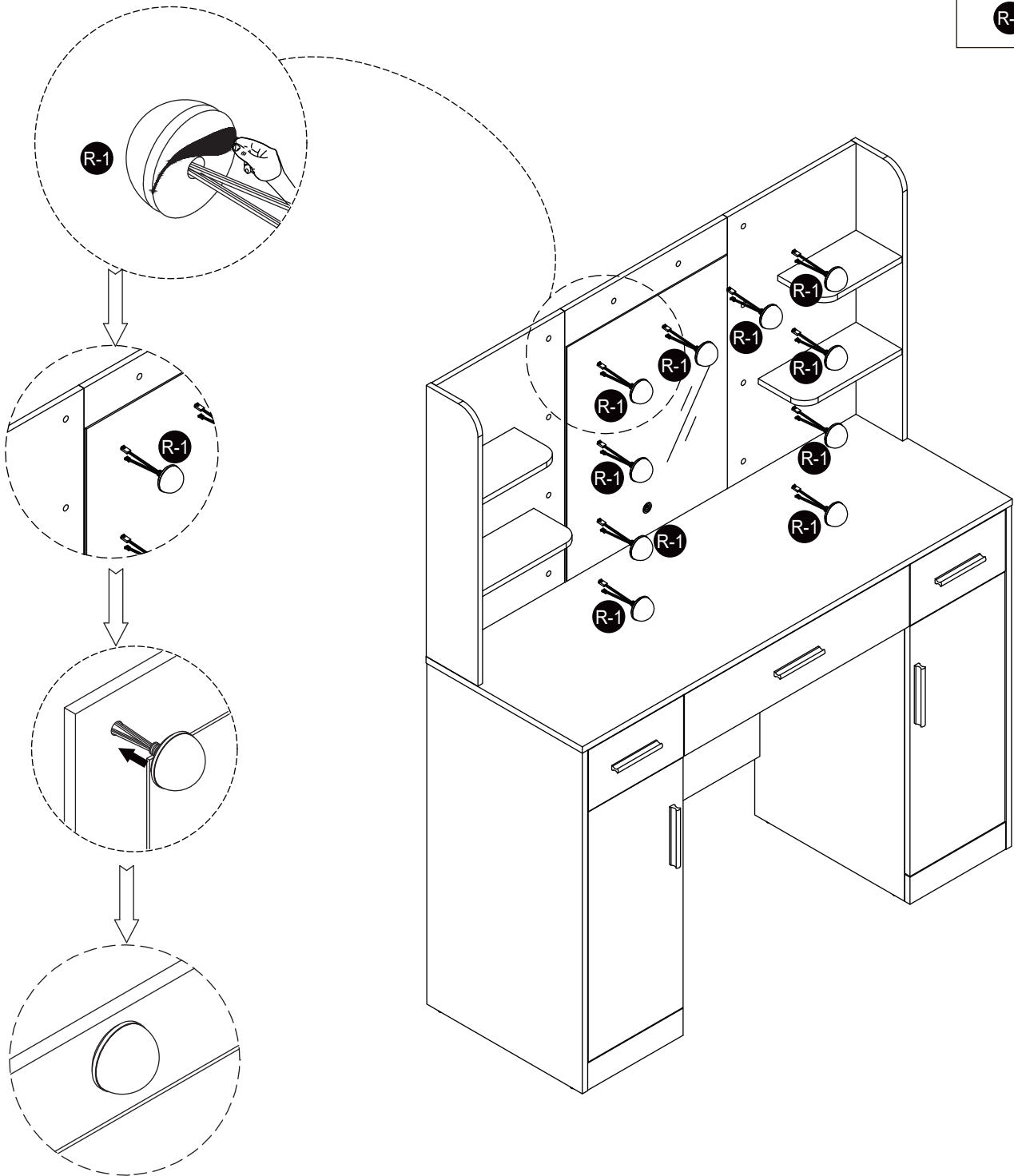
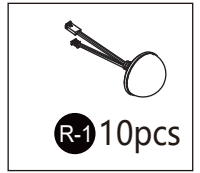
Step 46



Step 47



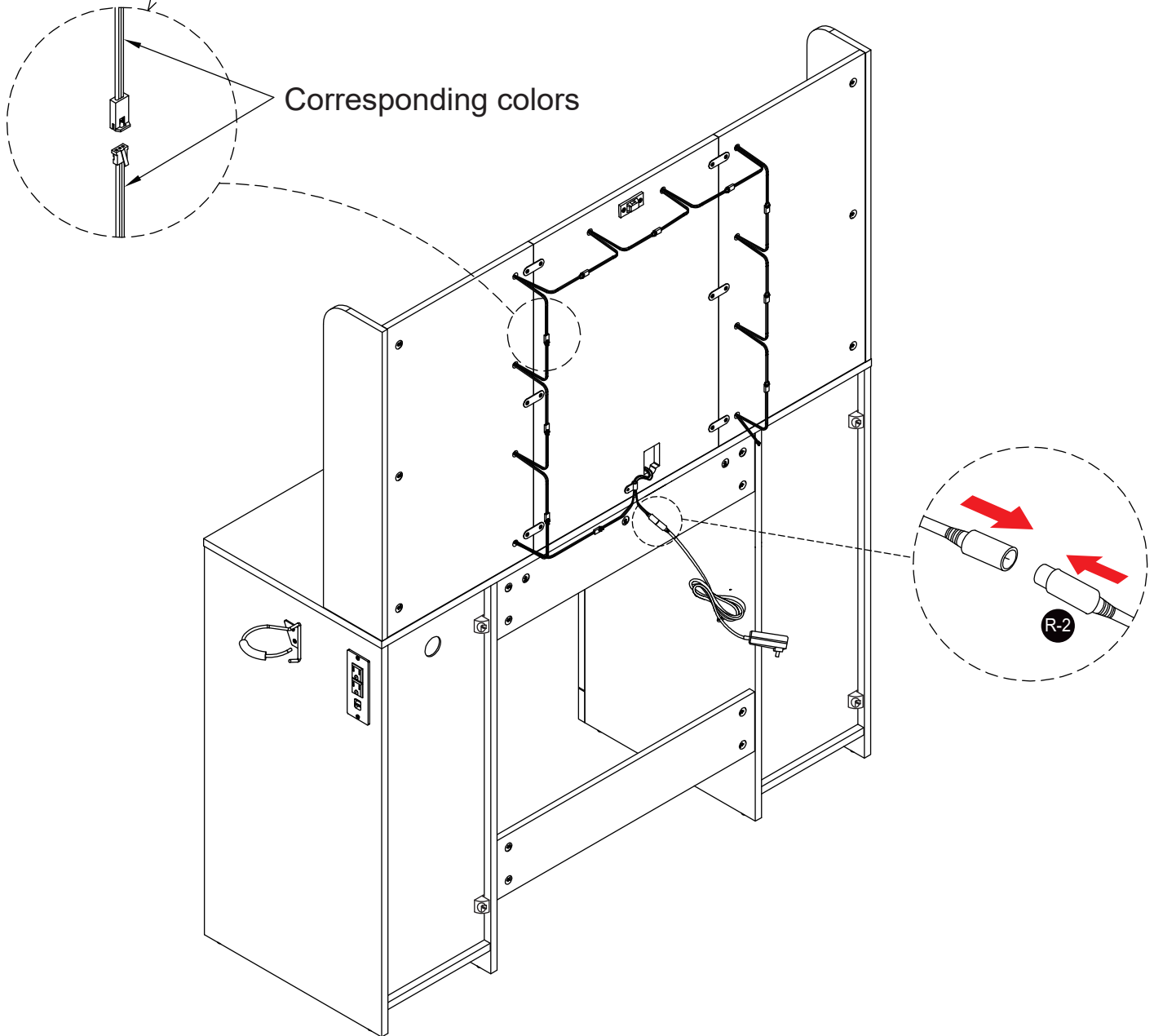
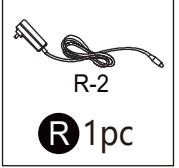
Step 48



Pass the two wires of the light bulbs through the pre-drilled holes in the board.
Gently press the bulbs to attach them to the board.

Step 49

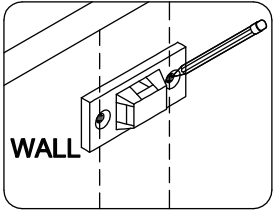
When connecting the wires, please ensure that the wire colors at both ends match each other.



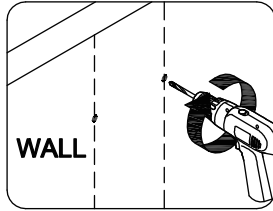
Each bulb has a wire with a small slot at the end. Insert the wire without a slot into the adjacent bulb's slot to connect them all.

Step 50

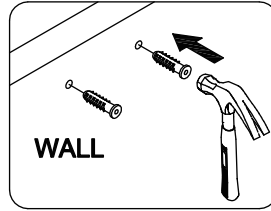
Install the anti-tip kit



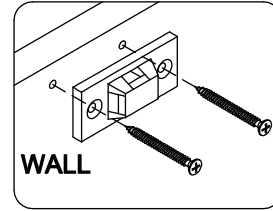
1. Make mark on the wall



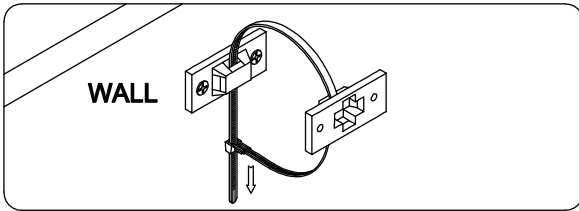
2. Drill two Ø6 holes on the wall



3. Put two anchors in the holes

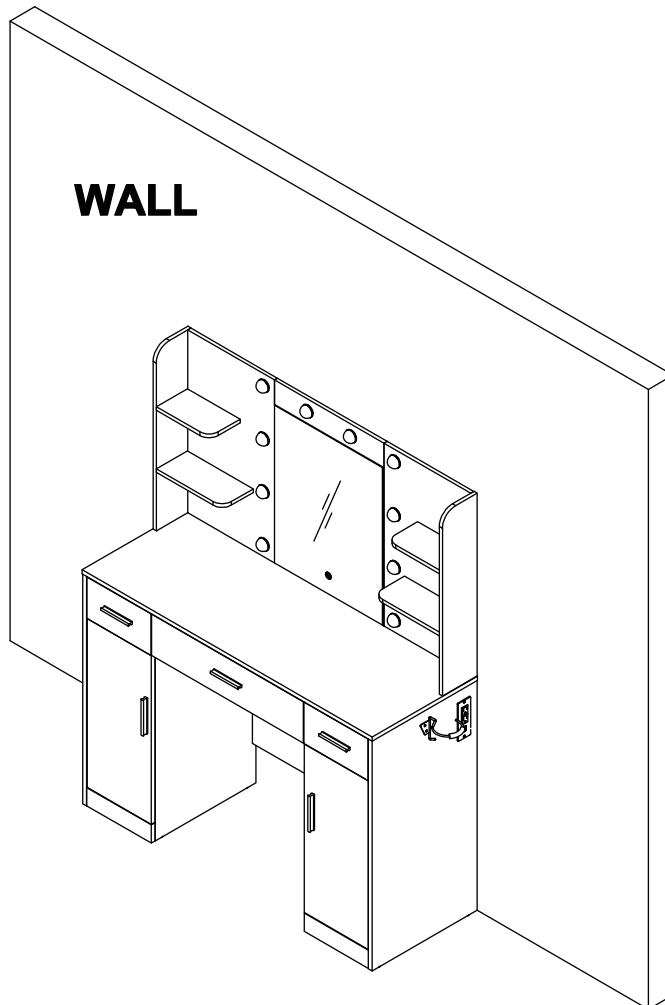


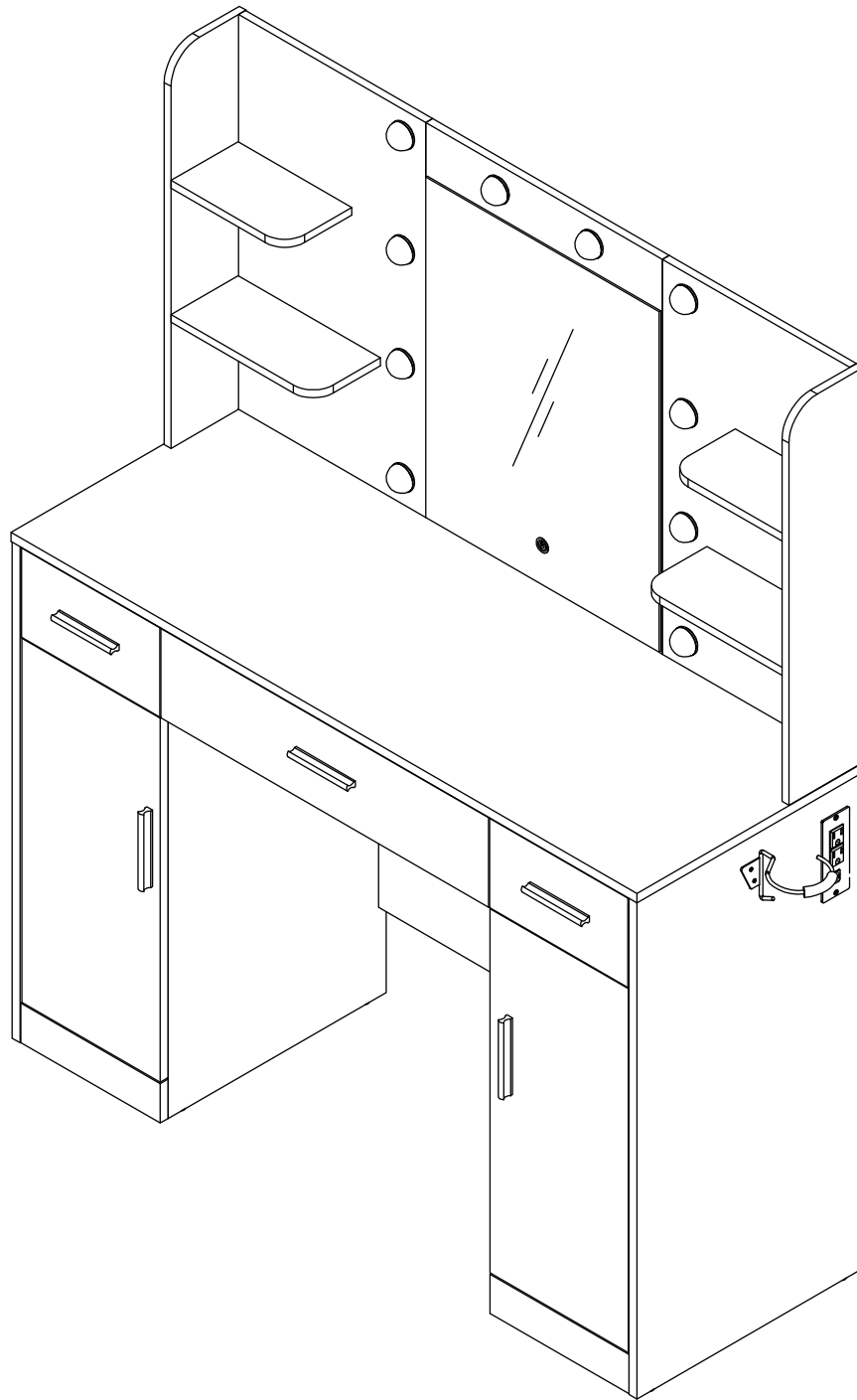
4. Fix the device to the wall using the long screws



5. Push the cabinet towards the wall so that the two bases are close to each other, then use the nylon tie to secure them

NOTE: Penci, electric drill and hammer not included.





Technical Support

(909)637-7665 | (909)637-7593

Other Info

HJ-Customer-Service@outlook.com

Thank you for choosing this product. We strive to provide you with the best quality products and service in the industry. Should you have any issues, please don't hesitate to contact us.