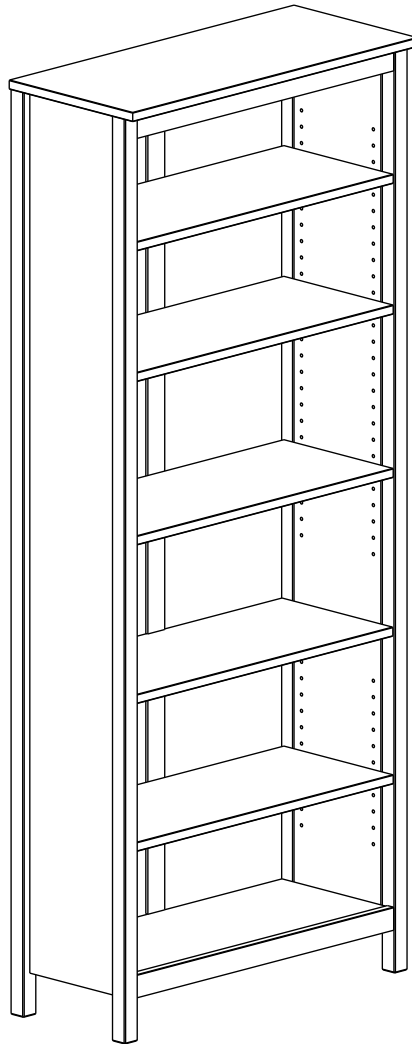


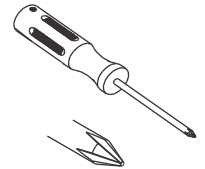
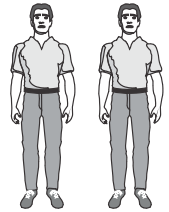
ASSEMBLY INSTRUCTIONS

CLASSIC SHAKER STYLE

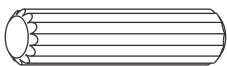
BOOKCASE 72" H



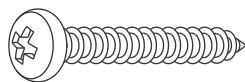
00:45 Hs



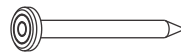
HARDWARE INCLUDED



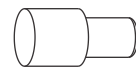
A -8,0x30 Wood Dowel
Qty. 20



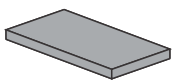
B -4,0x30 Screw
Qty. 22



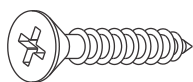
C -10x10 Nail
Qty. 32



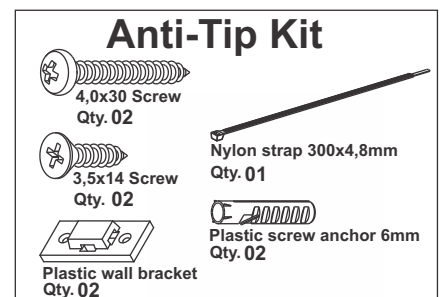
D - Shelf Support
Qty. 16



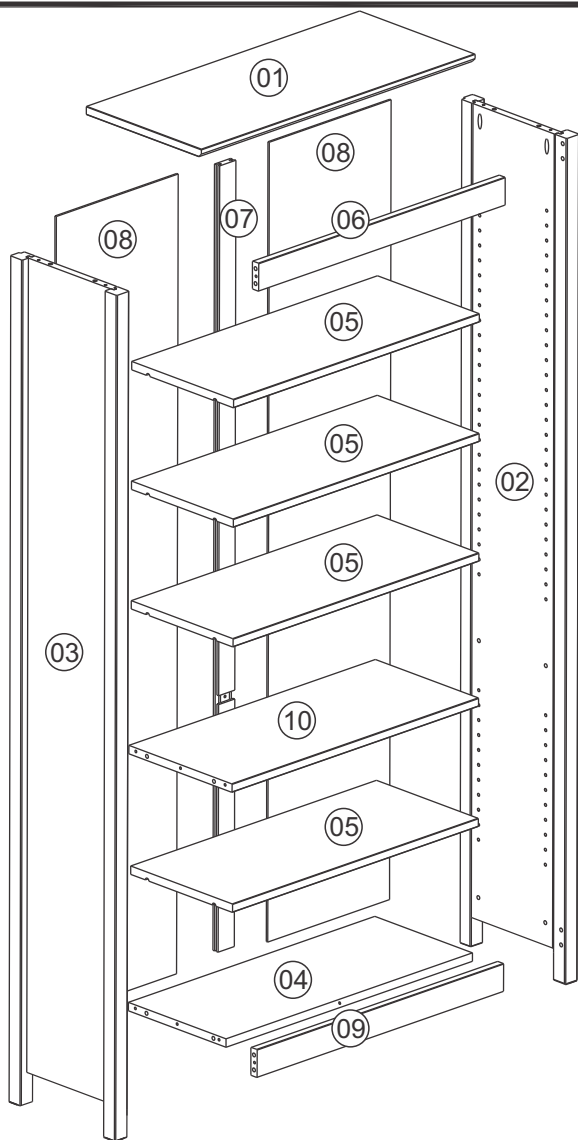
E -Sticker ribbon
Qty. 04



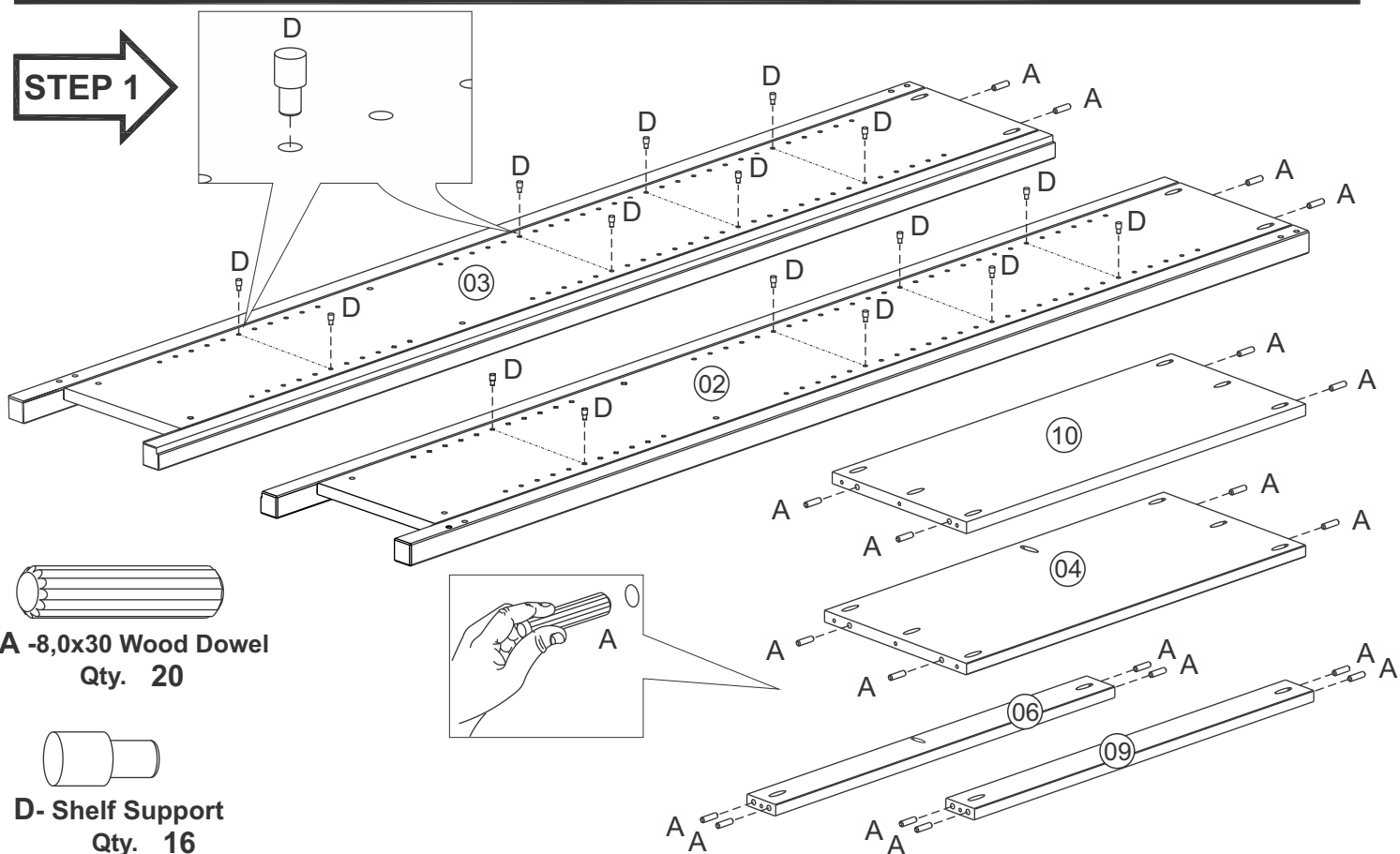
F - 3,5x25 Screw
Qty. 02



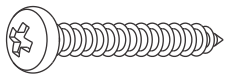
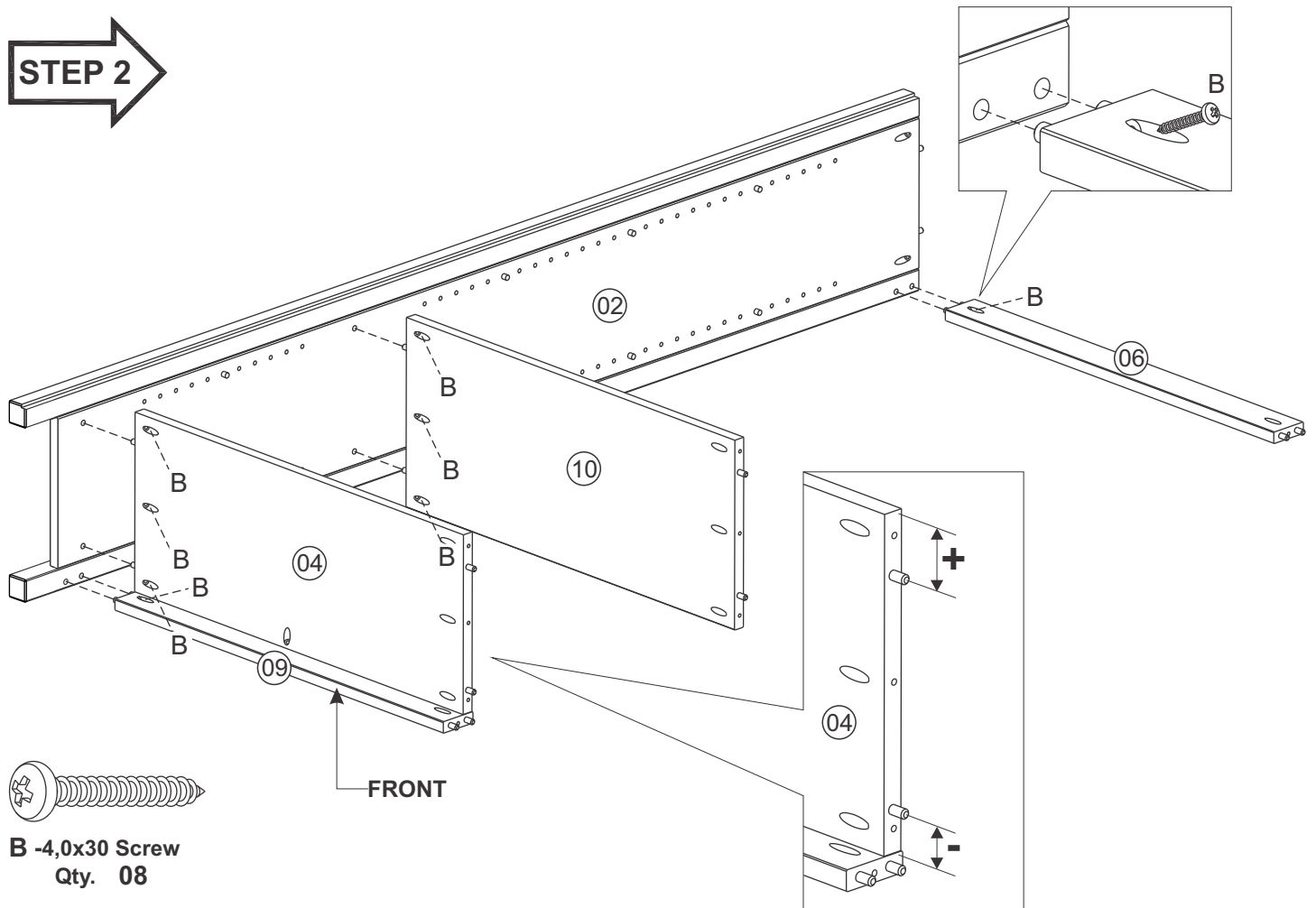
PARTS INCLUDED



STEP 1

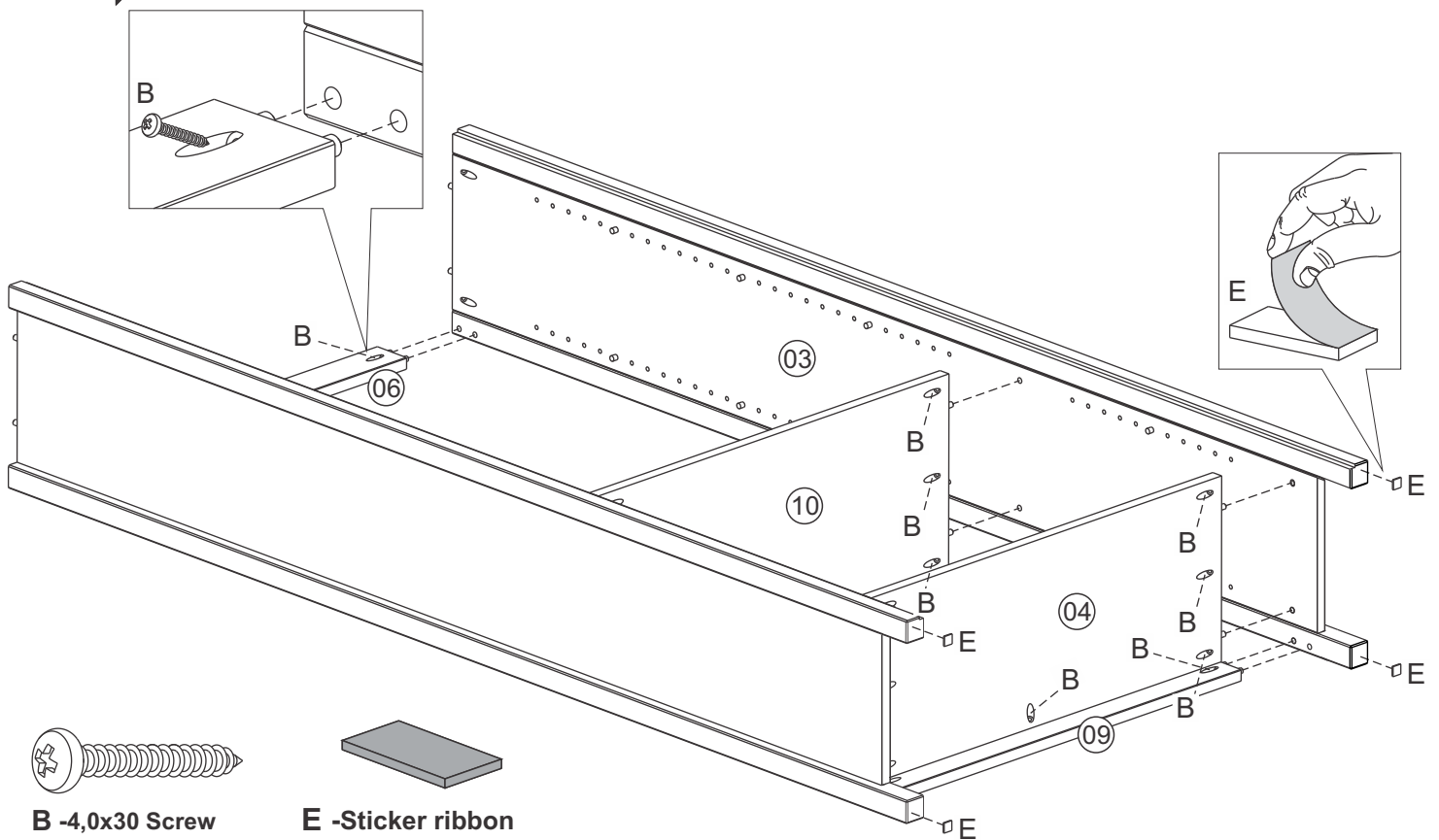


STEP 2

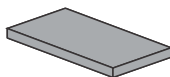


B -4,0x30 Screw
Qty. 08

STEP 3

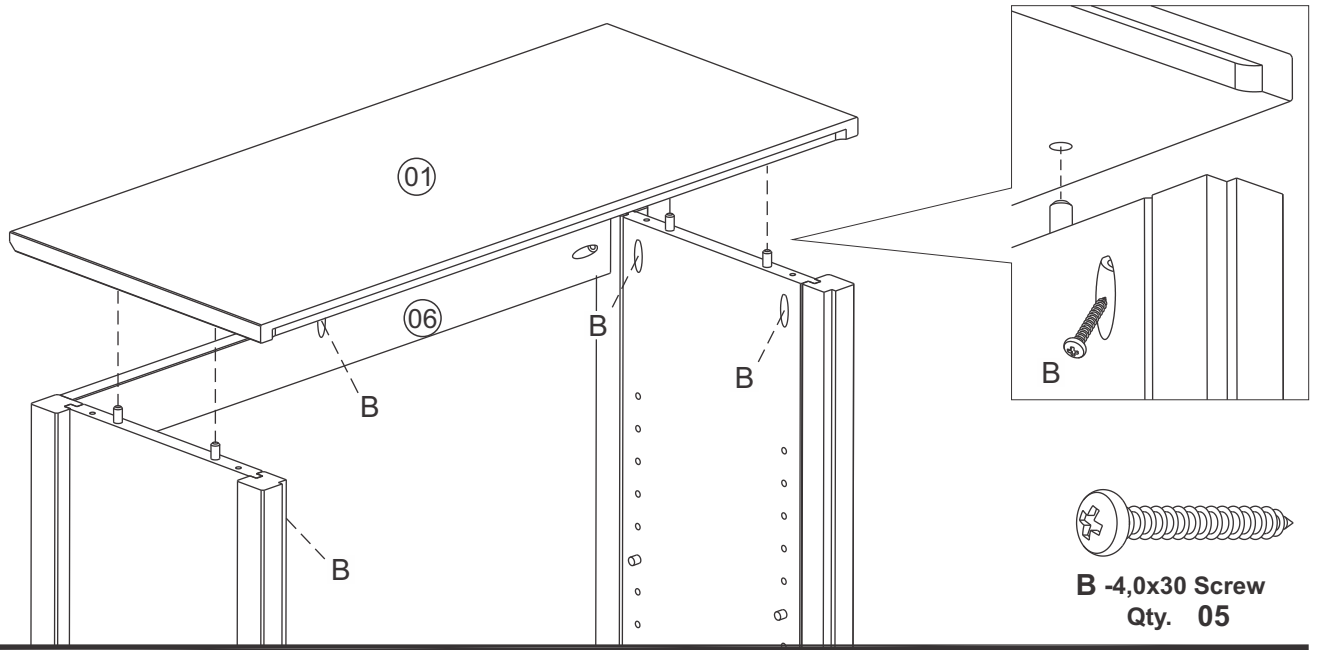


B -4,0x30 Screw
Qty. 09

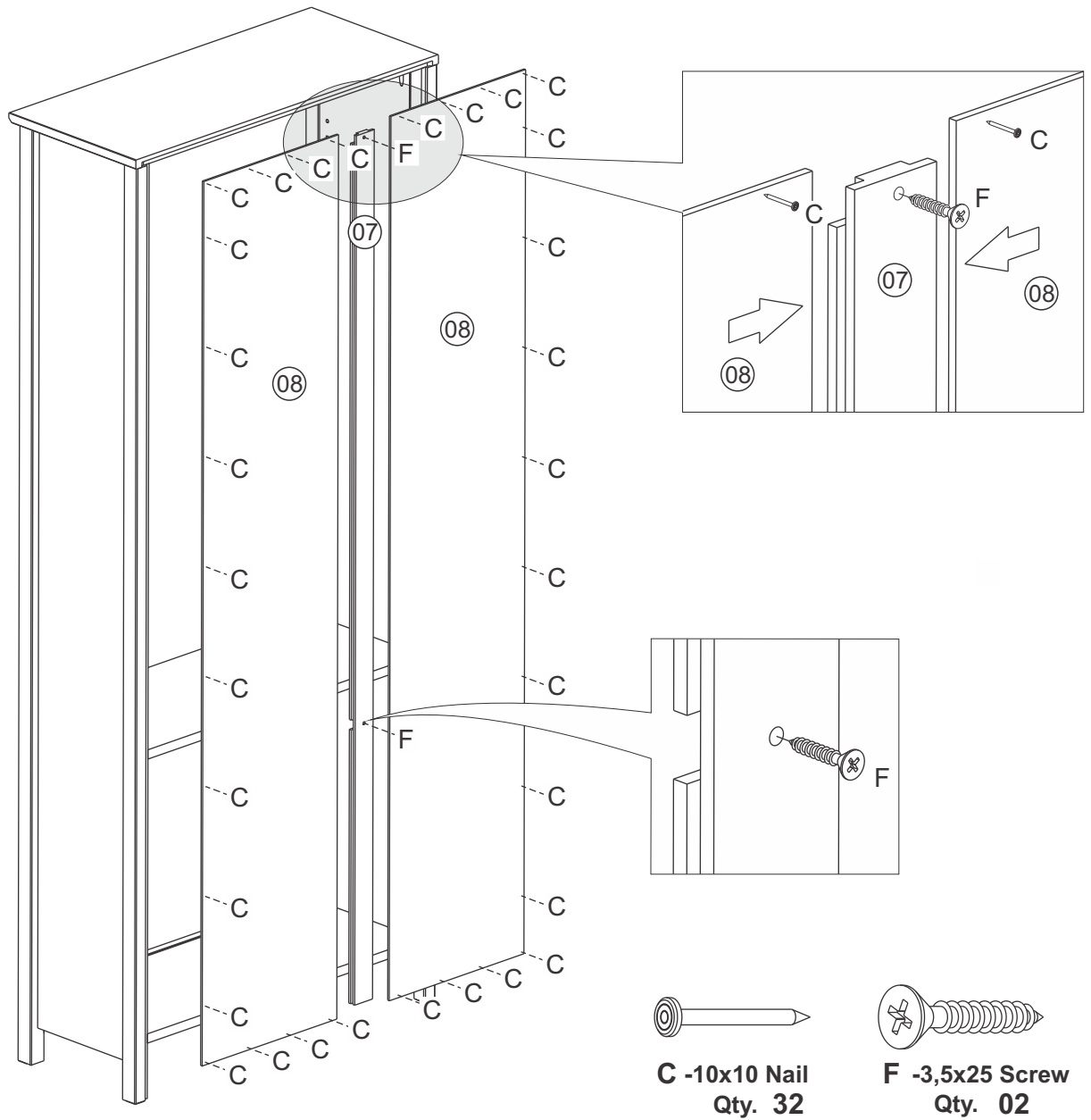


E -Sticker ribbon
Qty. 04

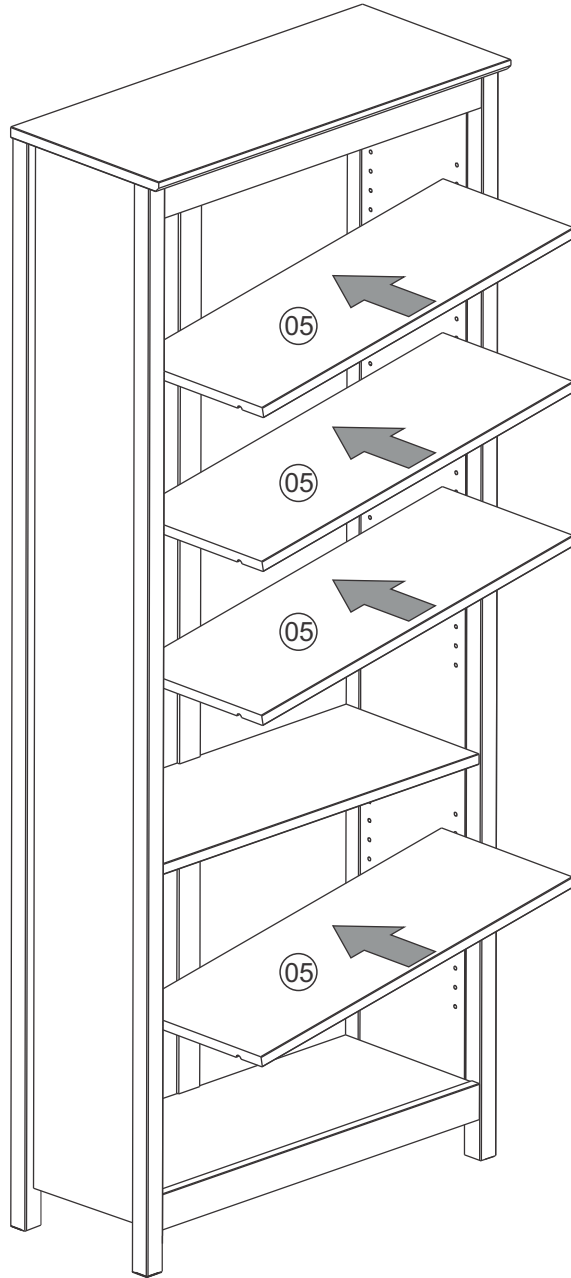
STEP 4

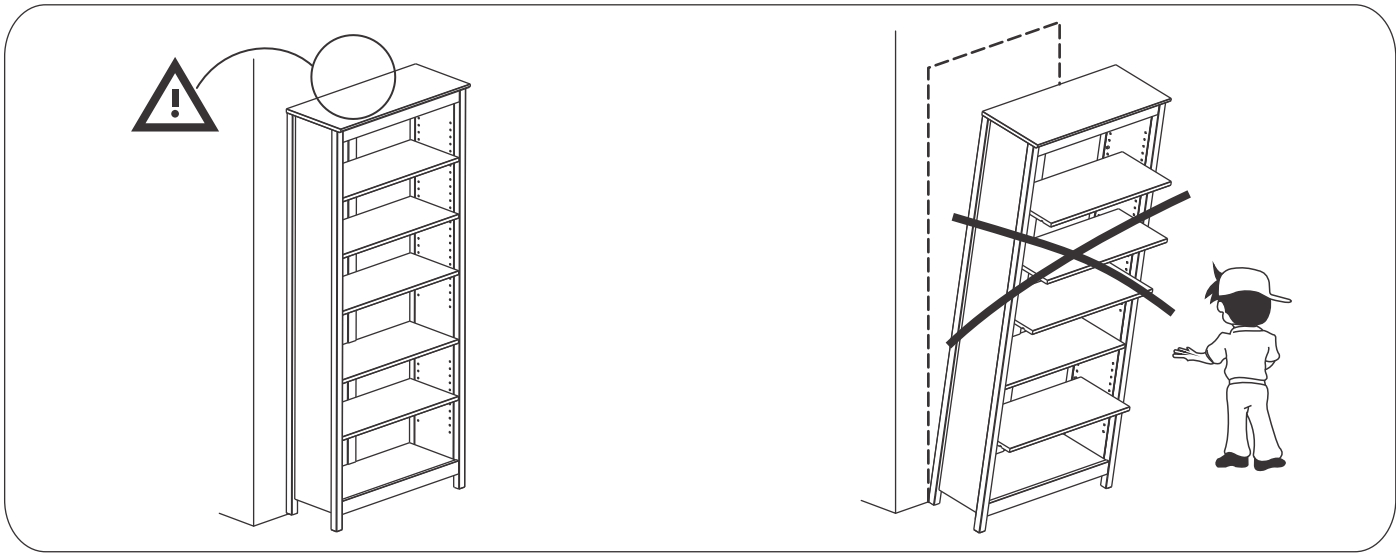


STEP 5

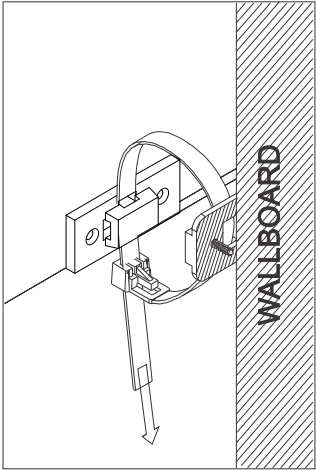
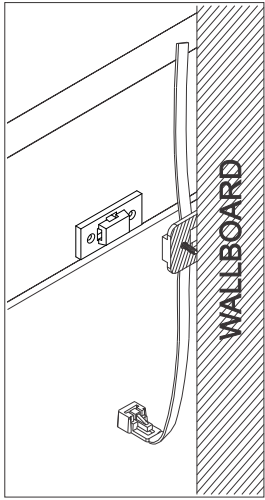
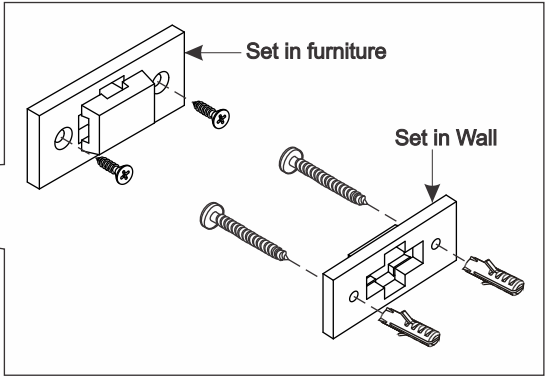
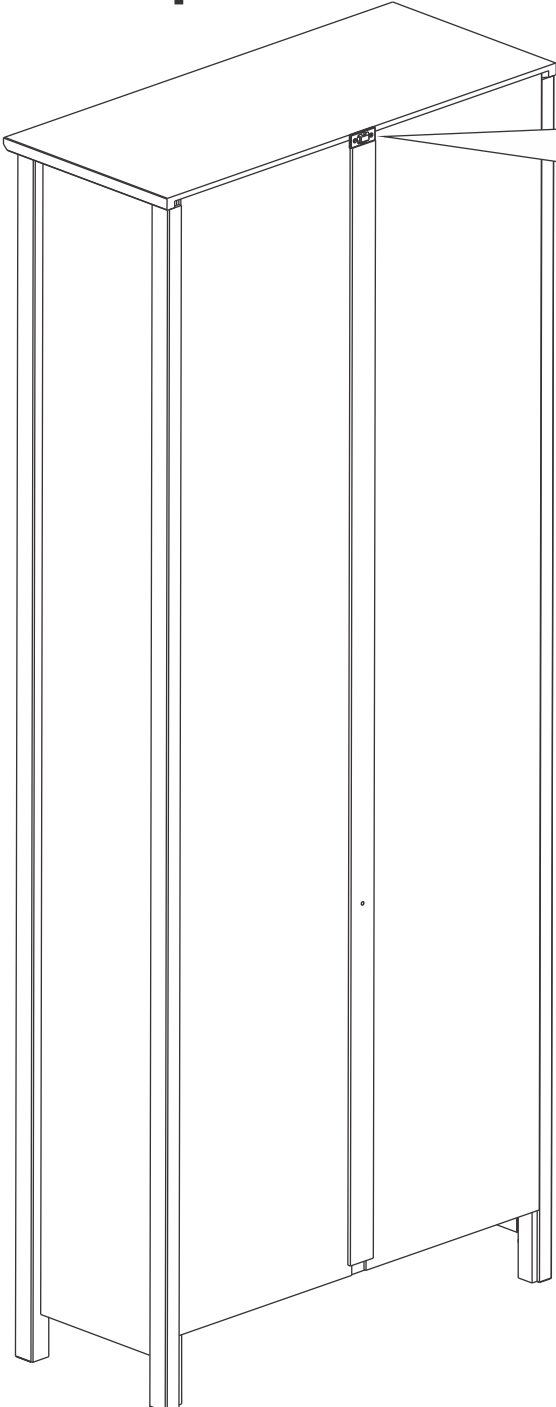




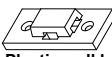


STEP 6





Anti-Tip Kit



- Anti-Tip Kit**
-  4,0x30 Screw Qty. 02
 -  3,5x14 Screw Qty. 02
 -  Plastic wall bracket Qty. 02
 -  Nylon strap 380x7,6mm Qty. 01
 -  Plastic screw anchor 6mm Qty. 02