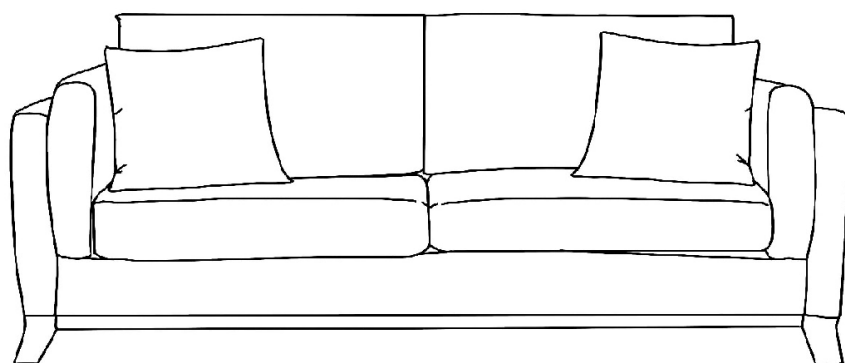
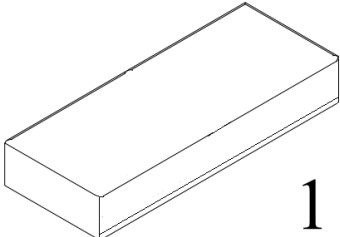
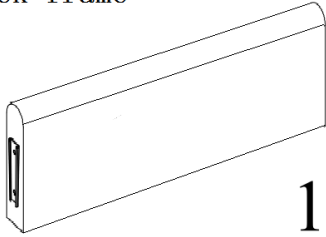
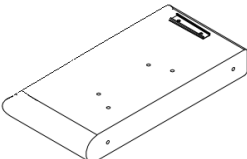
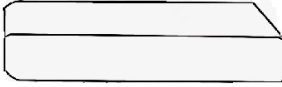

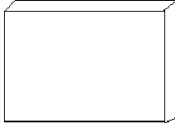




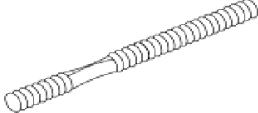
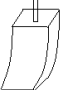
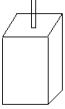



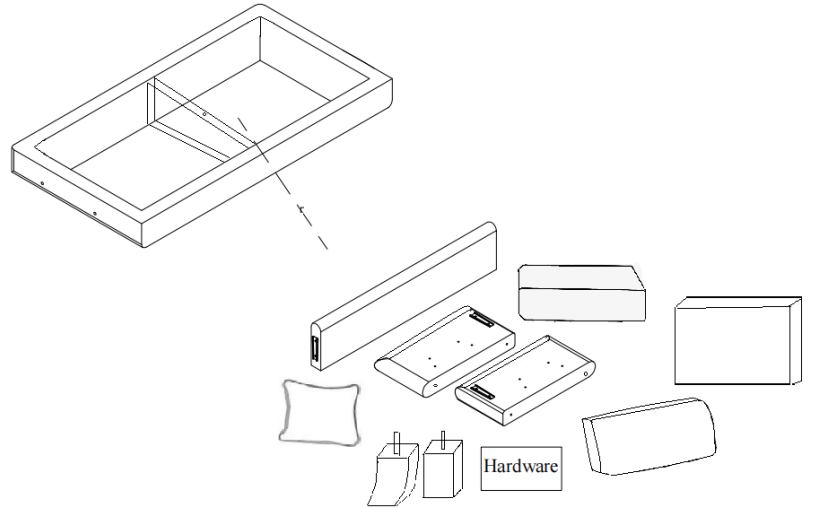
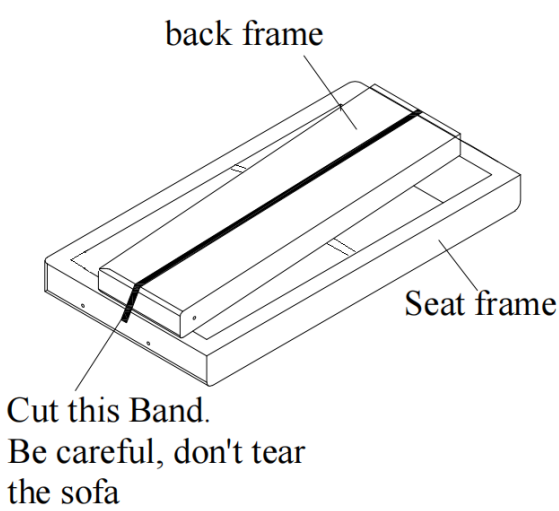
ASSEMBLY INSTRUCTION

MODEL NO.: RYS100



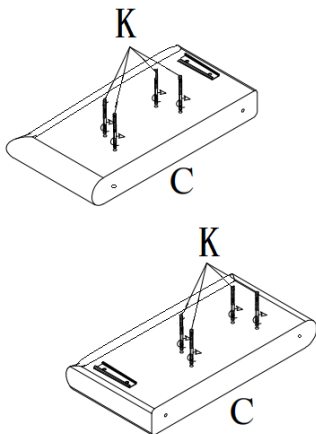
<p>A Seat frame</p>  <p>1 PC</p>	<p>B Back frame</p>  <p>1 PC</p>
<p>C Arm</p>  <p>2 PCS</p>	<p>D Seat cushion</p>  <p>2 PCS</p>
<p>E Back cushion</p>  <p>2 PCS</p>	<p>F Arm cushion</p>  <p>2 PCS</p>
<p>G Pillow</p>  <p>2 PCS</p>	<p>H</p>  <p>8 PCS</p>
<p>I</p>  <p>8 PCS</p>	<p>J</p>  <p>1 PC</p>
<p>k</p>  <p>8 PCS</p>	<p>L</p>  <p>4 PCS</p>
<p>M</p>  <p>1 PC</p>	<p>N</p>  <p>5 PCS</p>

STEP 1 All the parts are put under the sofa. Cut the band and take out the parts from bottom



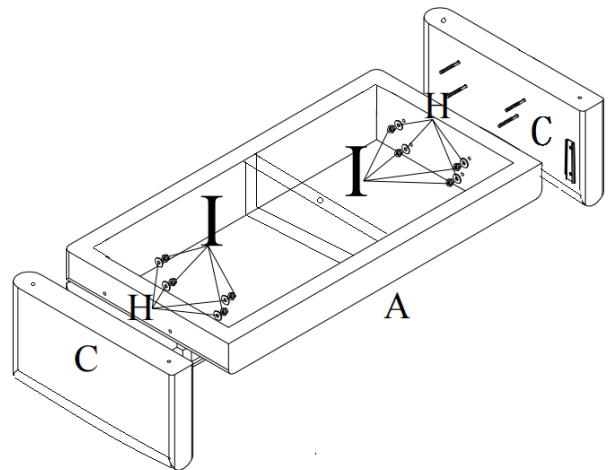
STEP 2

Screw in the arms about 2cm



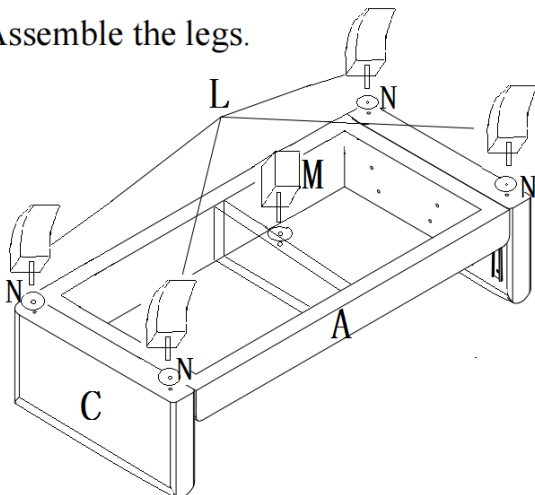
STEP 3

Insert the arms with screw into the seat frame, then put the washer and tighten the nuts.



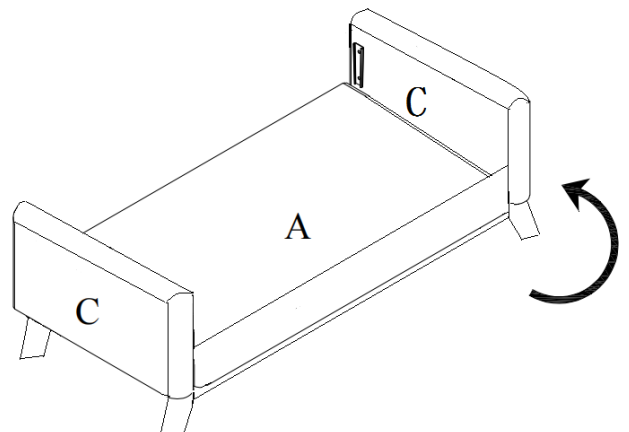
STEP 4

Assemble the legs.

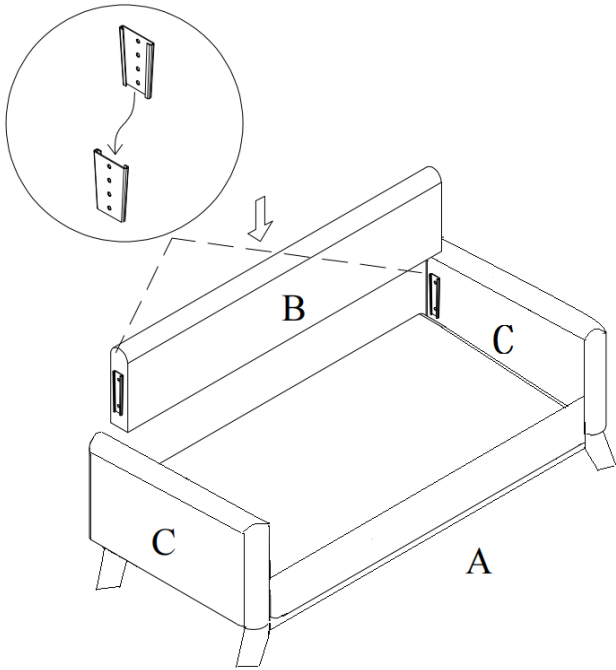


STEP 5

Put upright the sofa.

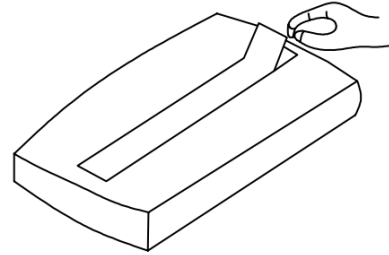


STEP 6 Insert the back frame.



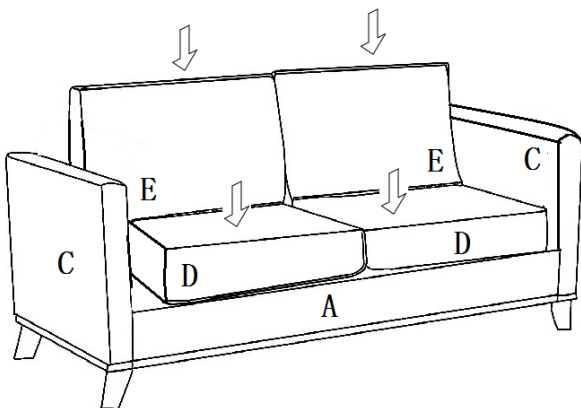
STEP 7

Remove the black strips on cushions.



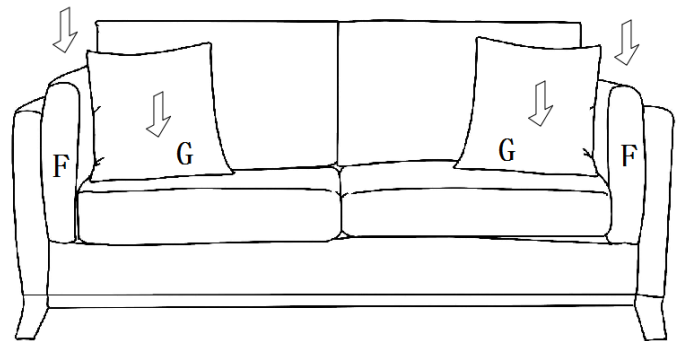
STEP 8

Put the cushions on sofa, press them to stuck with the velcro.



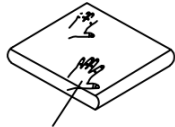
STEP 9

Put the cushion F & pillow G in their corresponding positions. Then the assembly is finished.



TIPS:

- 1, Please do not open the compress packaging until your sofa frame is completely assembled.**
- 2, Compress cushions or pillows need to be fully fluffed within 72 hours for your perfect use.**
- 3, Please keep children away from plastic bag or any small pieces of stuff.**
- 4, After assembly is completed, don't forget to pat the back cushions and seat cushions, make them recovering better. And wait 72 hours for fully rebound.**

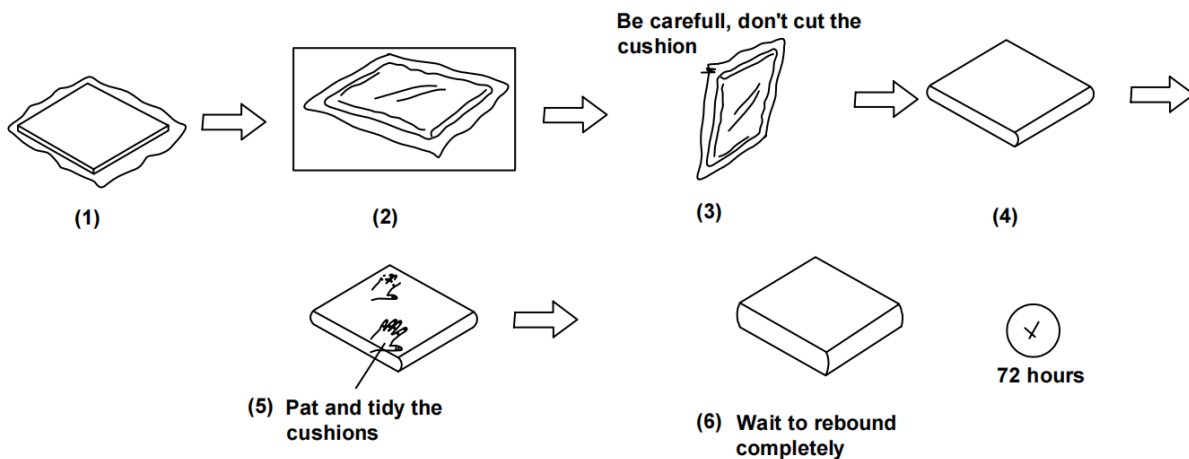


Pat and tidy the cushions

- 5, Cushions should be regularly maintained for perfect use.**

STEPS for compressed pack:

- (1) open the carton -- (2) take out the compressed pack -- (3) cut from edge and take out the cushion -- (4) Put the cushion on floor -- (5) Pat and tidy the cushion -- (6) Wait to rebound completely after 72 hours.**



CAUTION:

PLEASE DO NOT OPEN COMPRESSED PLASTIC CUSHION BACK UNTIL YOUR SOFA FRAME IS COMPLETELY ASSEMBLED, OTHERWISE, IT CAN'T BE REPACKED IN ORIGINAL PACKING WAY TO RETURN.