



# FOUNDATION SUPPORT BOARDS

# ATLANTIC

atlanticfurniture.com

## ASSEMBLY INSTRUCTIONS ( FULL E-64300 )

Before assembling your Support boards, please read through these instructions carefully and familiarize yourself with the different parts.

Please note that you will require a Phillips screwdriver.

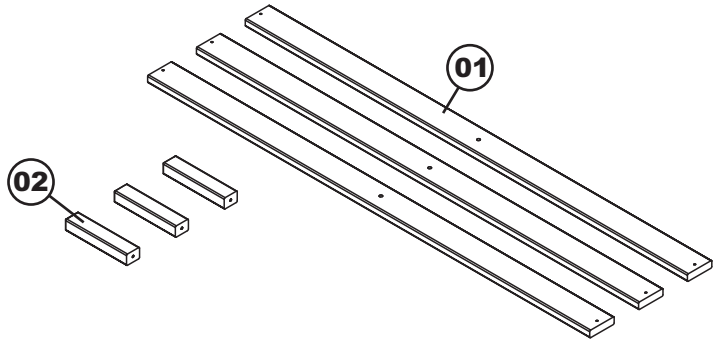
**ATTENTION!** If you receive a damaged or defective item, please contact Atlantic Furniture at [service@atlanticfurniture.com](mailto:service@atlanticfurniture.com) or 1-800-955-3726



### PARTS LIST

**01 SUPPORT BOARDS 3 PCS**

**02 CENTER LEG 3 PCS**

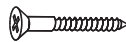


**PO :**

### HARDWARE



**A** 1 1/2" Allen screw - 3 pcs  
Spare - 1 pc



**B** 1 1/4" Wood screw - 6 pcs  
Spare - 1 pc



**C** Allen wrench - 1 pc  
Spare - 1 pc

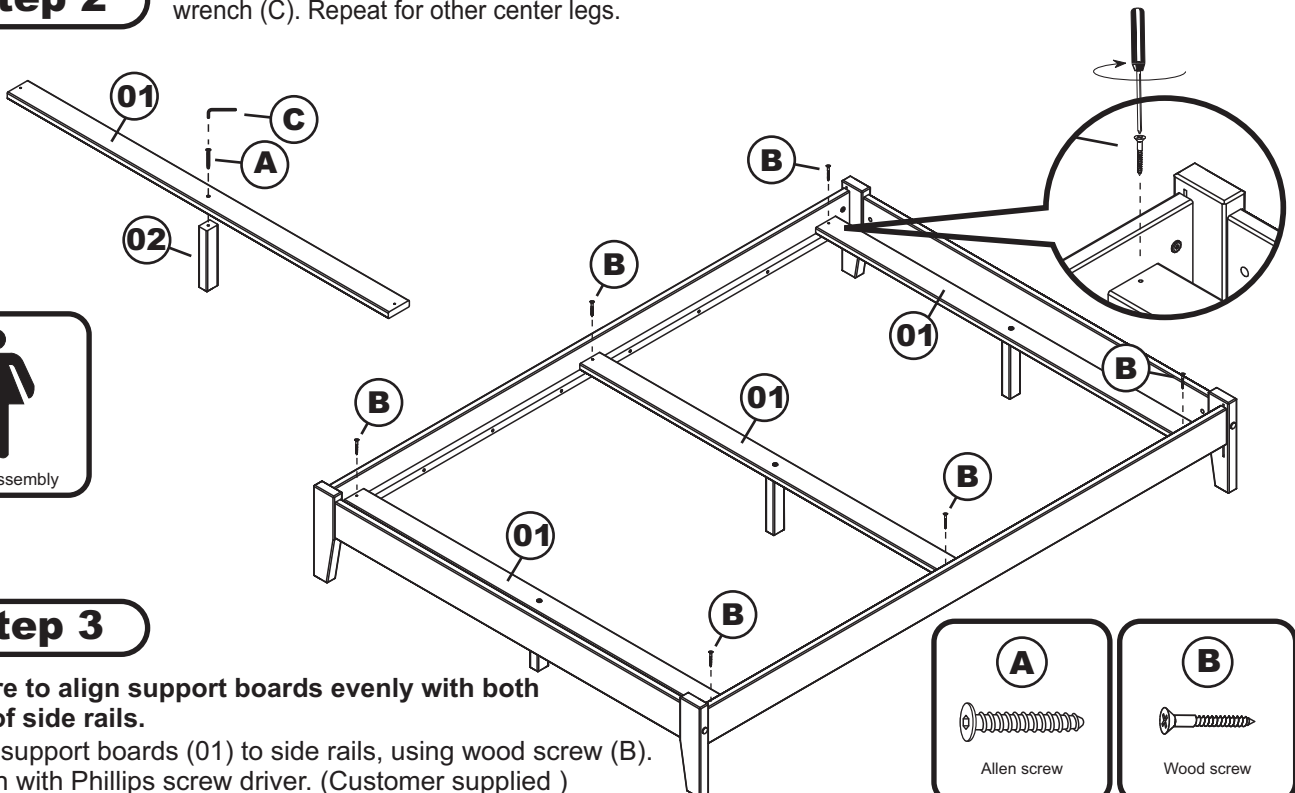
**NOTE: WE INCLUDE SPARE HARDWARE IN CASE THE WOOD SCREW OR ALLEN SCREW ARE DAMAGED DURING ASSEMBLY.**

### Step 1

Assemble bed frame according to assembly instructions.

### Step 2

Assemble center leg (02) and support boards (01). Using allen screw (A). Tighten with the Allen wrench (C). Repeat for other center legs.



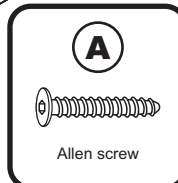
Adult assembly

### Step 3

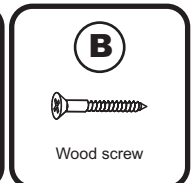
**Be sure to align support boards evenly with both ends of side rails.**

Screw support boards (01) to side rails, using wood screw (B). Tighten with Phillips screw driver. (Customer supplied )

Be sure the space between support boards is even.



Allen screw



Wood screw