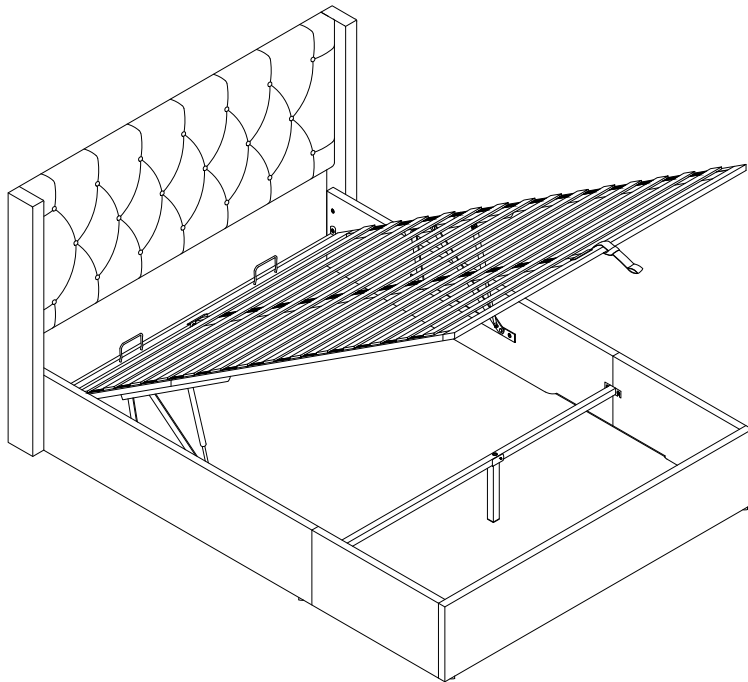


ASSEMBLY INSTRUCTION



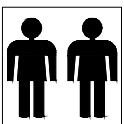
WARNING: OPEN THE HEADBOARD BACK ZIPPER, THE BED REST PARTS IN IT.



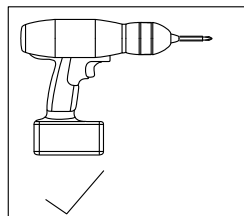
**Please TEAR OFF this shrink film from side!
DO NOT USE CUTTER!**

IMPORTANT NOTE

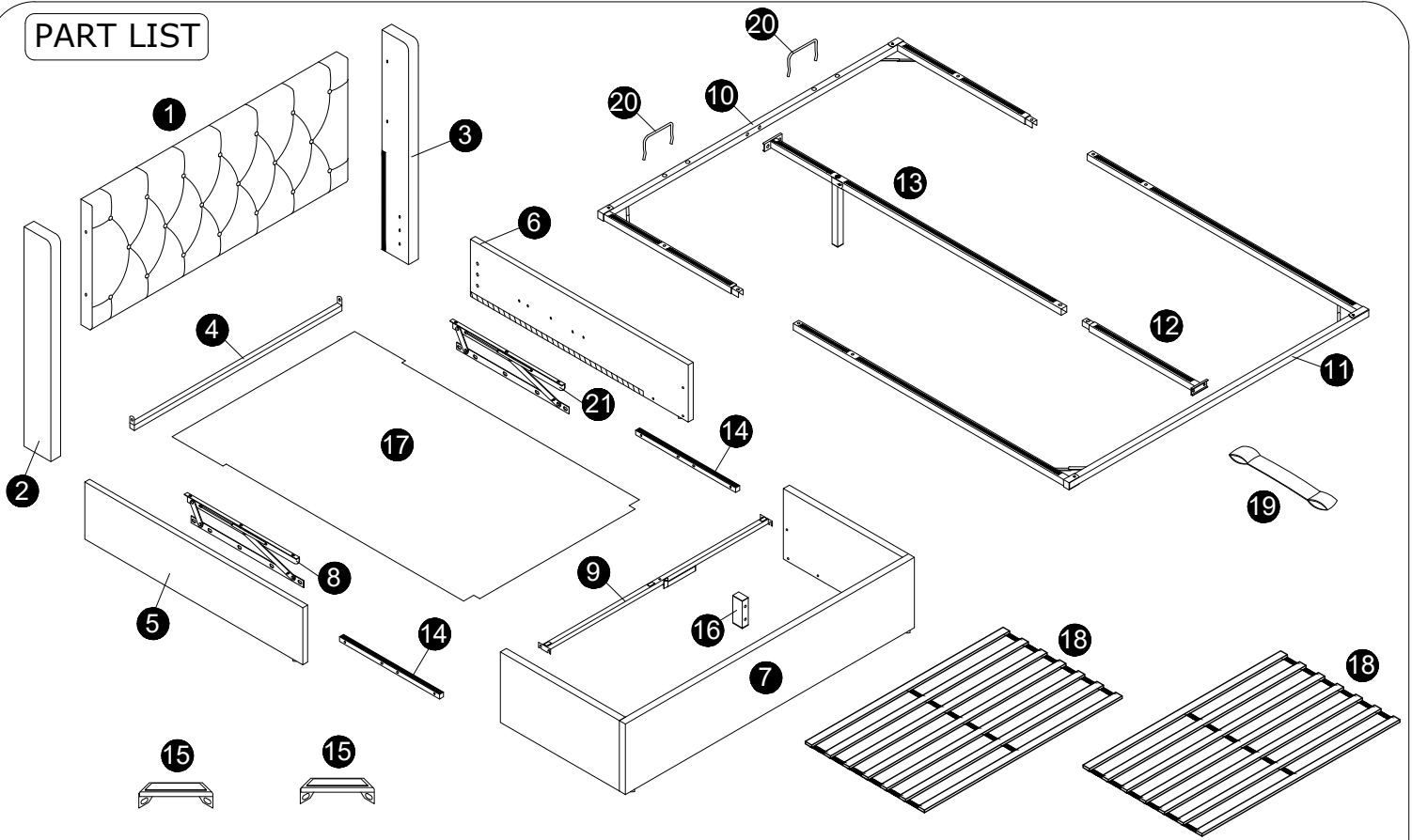
- 1. All other components are stored inside the headboard. Before proceeding with assembly, please open the zipper located on the headboard and remove all components.**
2. For the protection of your furniture, place all parts on a clean and smooth surface to prevent any damage.
3. Keep fittings out of children's reach and keep children well away from construction area.
4. When moving your assembled bed. it is best to lift the bed and never to drag it.
5. Do not use this product if parts are missing, damaged or worn.
6. This product should only be used on firm, level ground.
7. Please periodically check all fittings and re-tighten as necessary.
8. Do not use the bed unless all bolts and screws are firmly secured.
9. For further assistance, please provide a screenshot of your order and contact us via email at



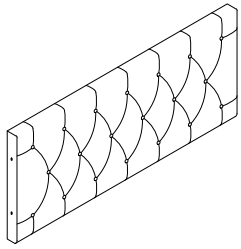
Minimum two
person assembly



PART LIST



1 x 1pc



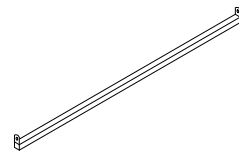
2 x 1pc



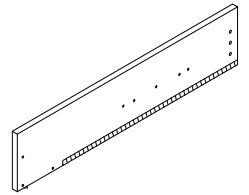
3 x 1pc



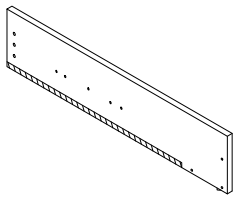
4 x 1pc



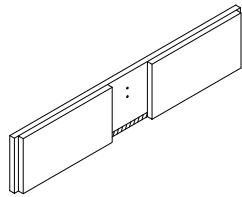
5 x 1pc



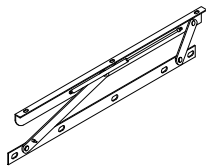
6 x 1pc



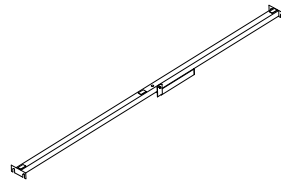
7 x 1pc



8 x 1pc



9 x 1pc



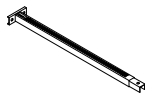
10 x 1pc



11 x 1pc



12 x 1pc



13 x 1pc



14 x 2pcs



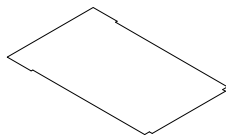
15 x 2pcs



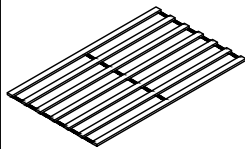
16 x 1pc



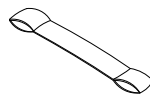
17 x 1pc



18 x 2pcs



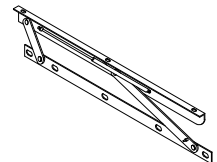
19 x 1pc



20 x 2pcs






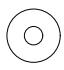

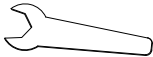



21 x 1pc



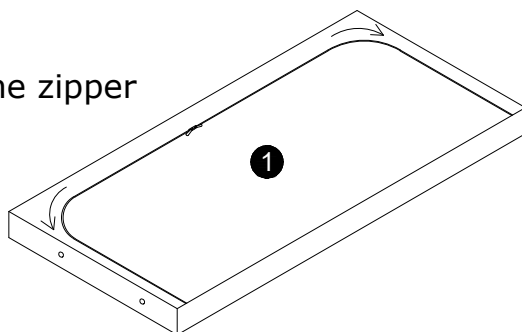
Please ensure to thoroughly inspect the small inner cardboard box containing the hardware, which are tied with a red string, before disposing of the box.

HARDWARE LIST

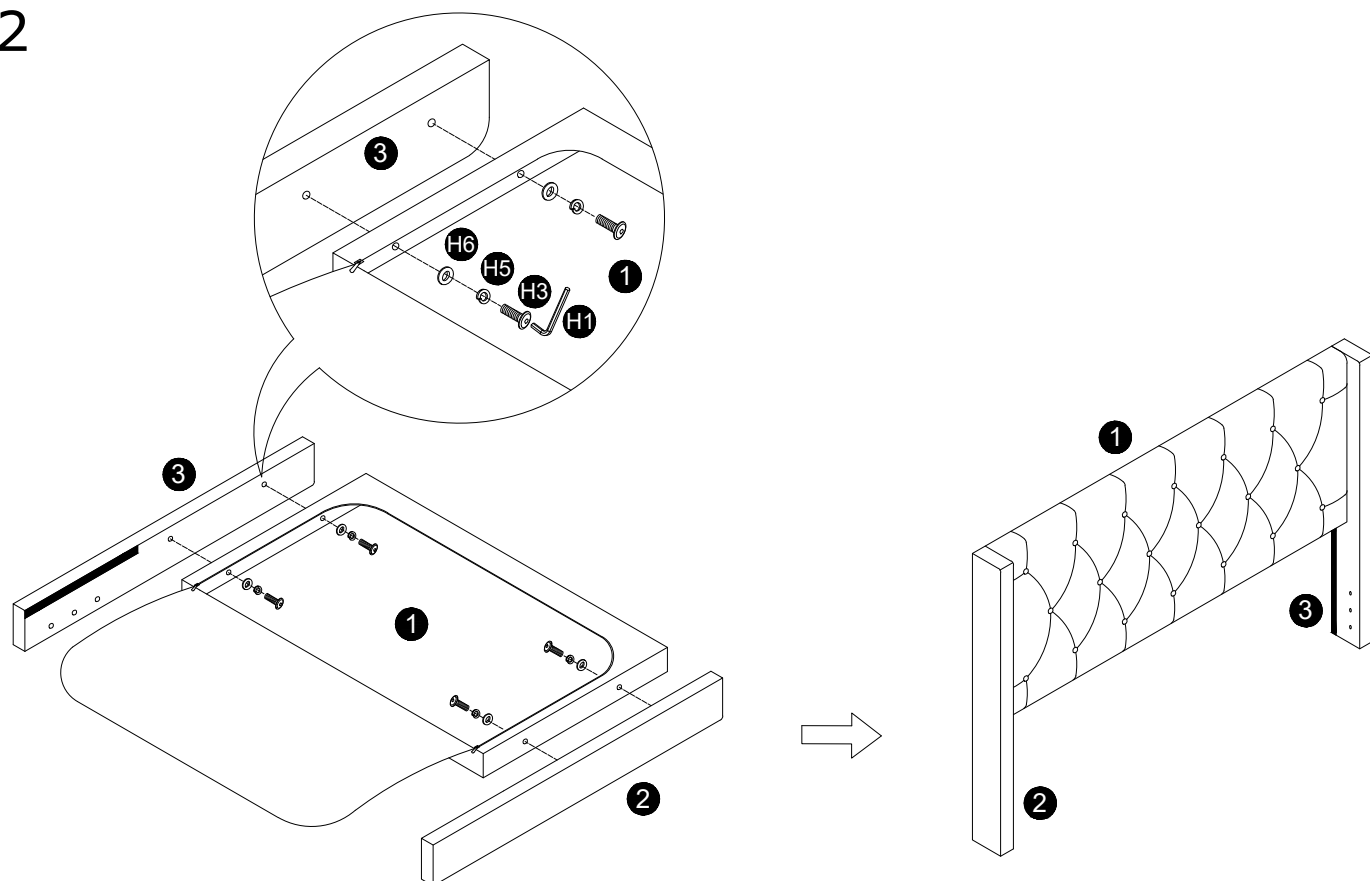
 H1 M5 x 1pc	 H2 M8x25mm x 23pcs	 H3 M8x40mm x 12pcs	 H4 M8x60mm x 2pcs
 H5 M8 x 10pcs	 H6 M8x22mm x 10pcs	 H7 M8 x 6pcs	 H8 M14 x 1pc
 H9 M8x50mm x 14pcs			

1 **NOTE:** PLEASE OPEN THE ZIPPER ON THE BACK OF ① AND TAKE OUT THE PARTS.

Open the zipper

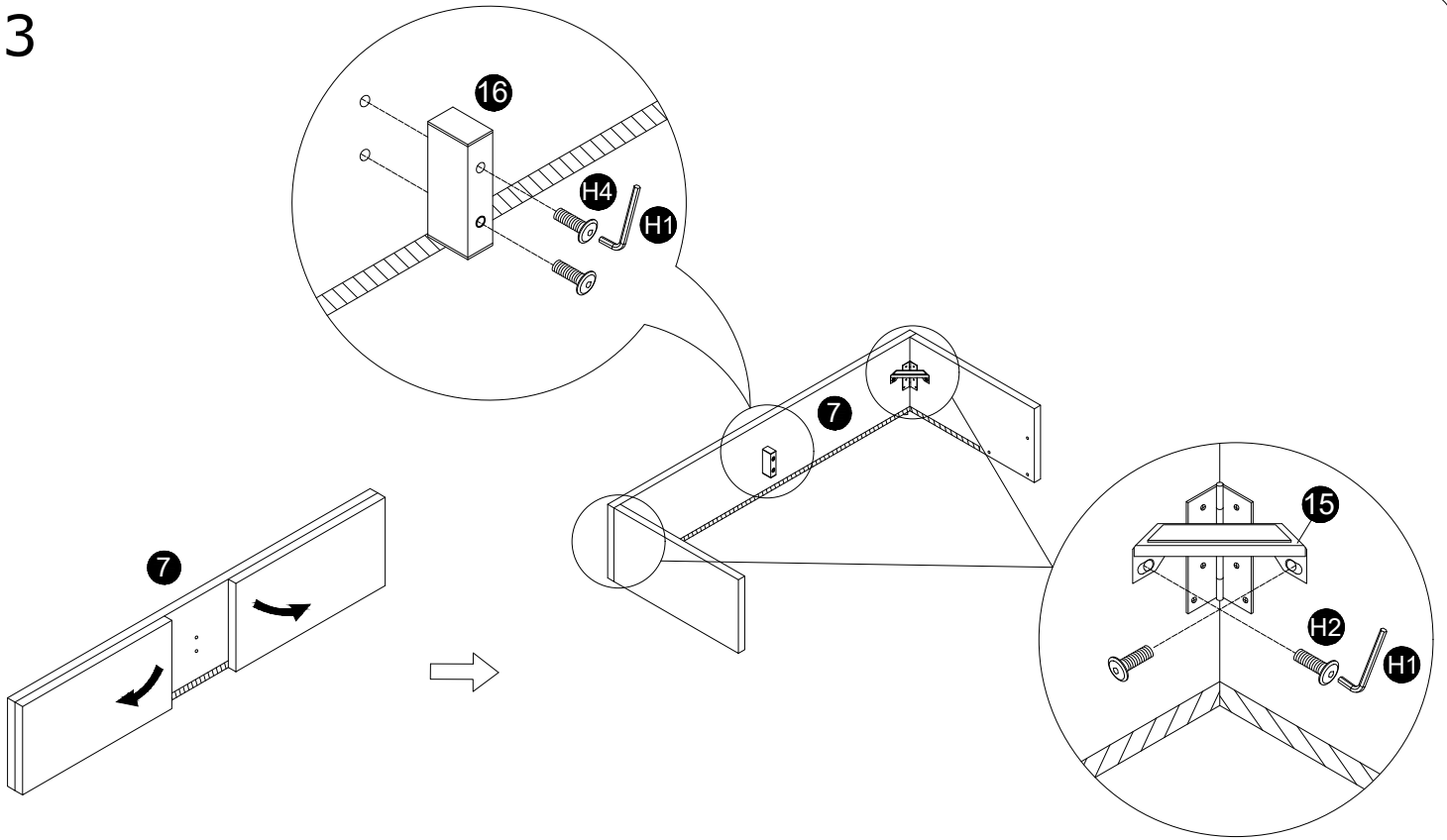


2

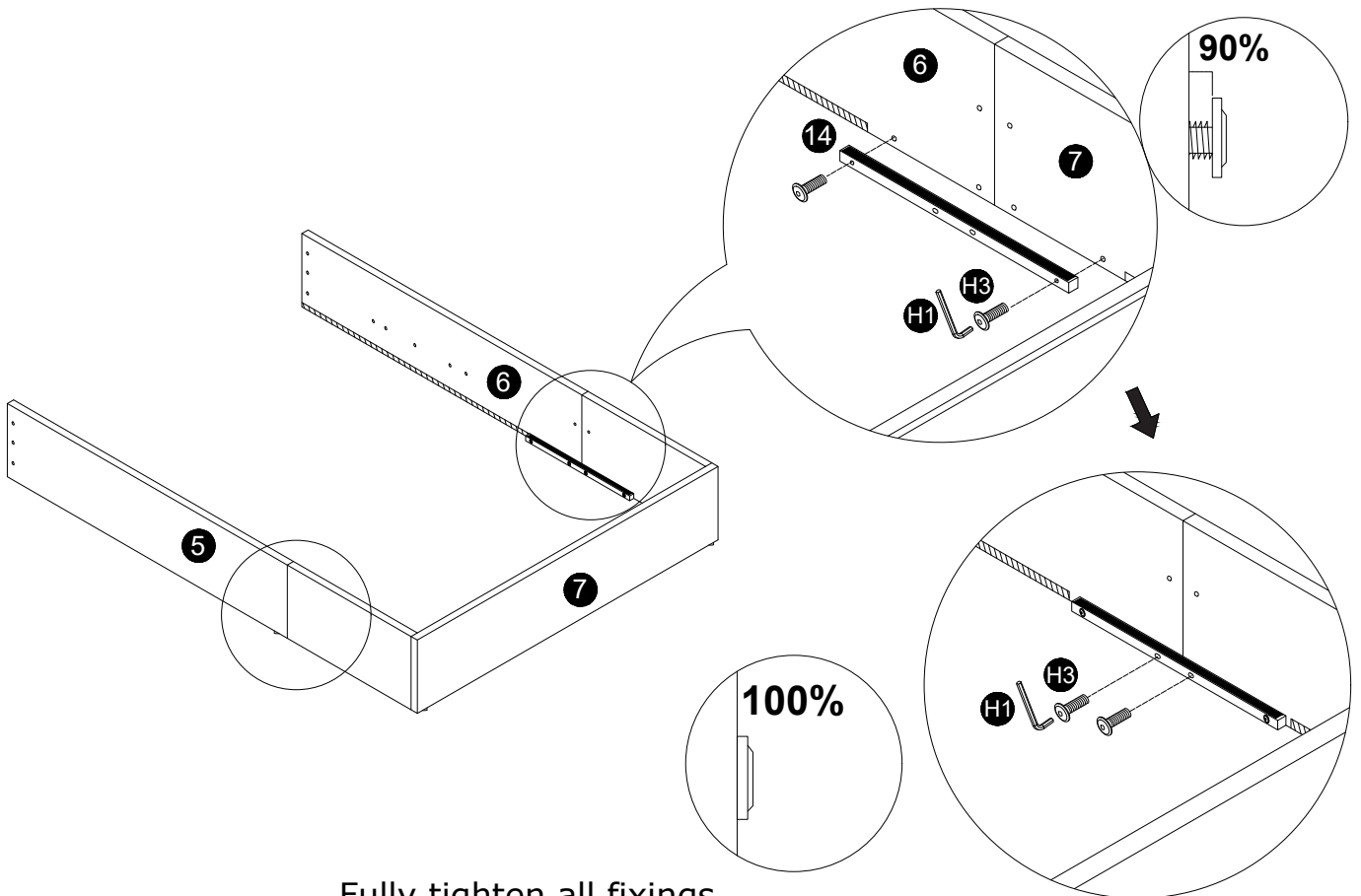


3

3

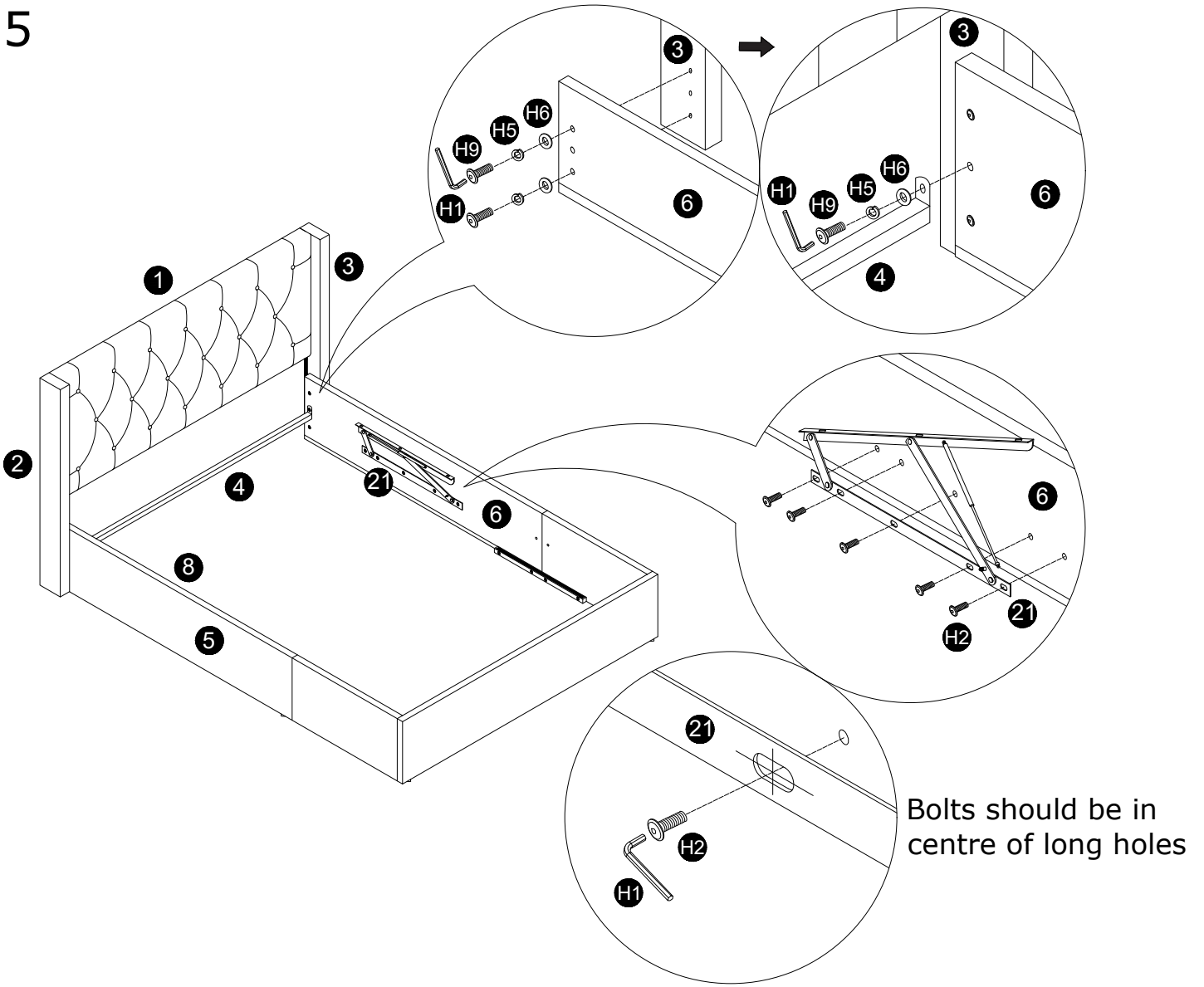


4

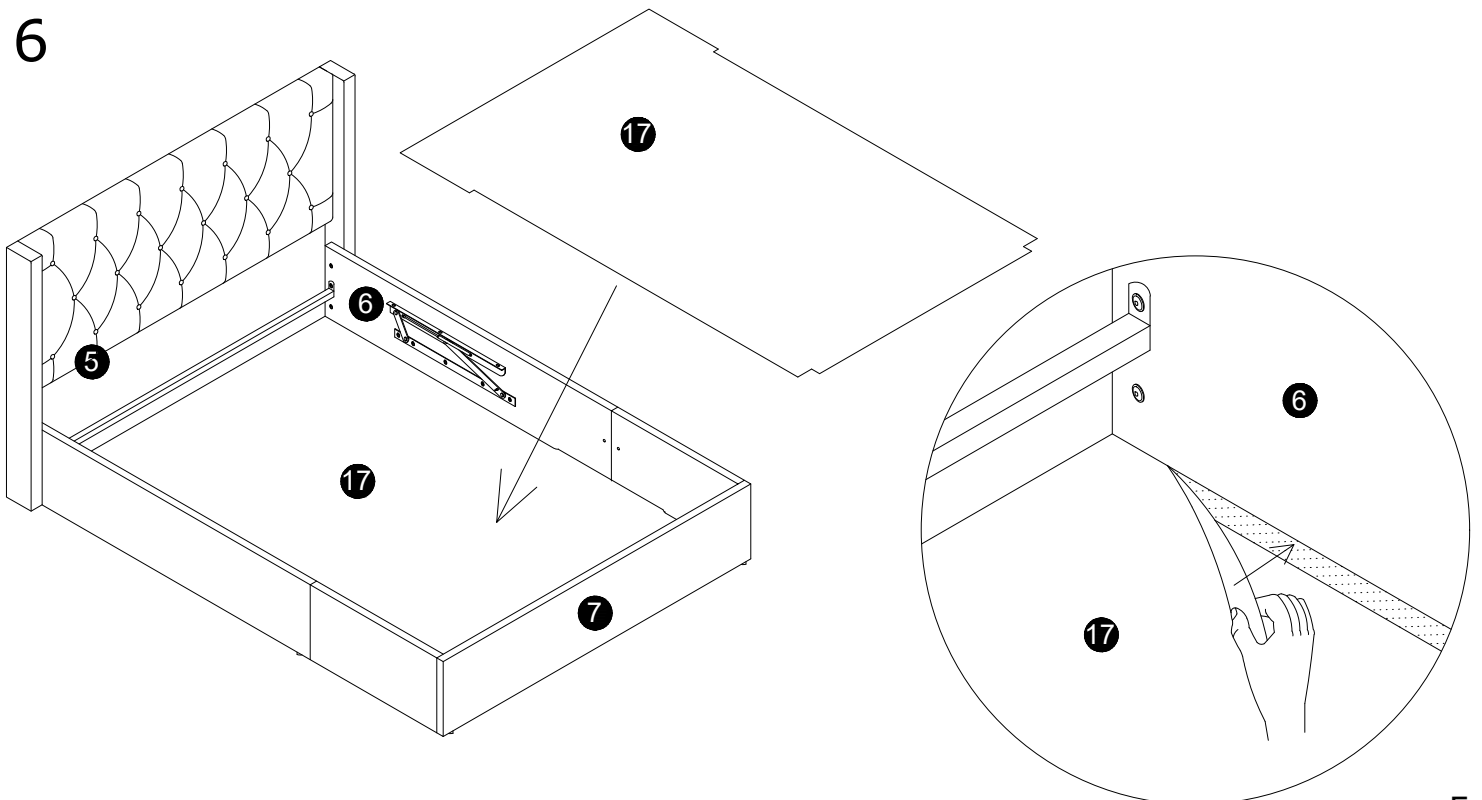


Fully tighten all fixings.

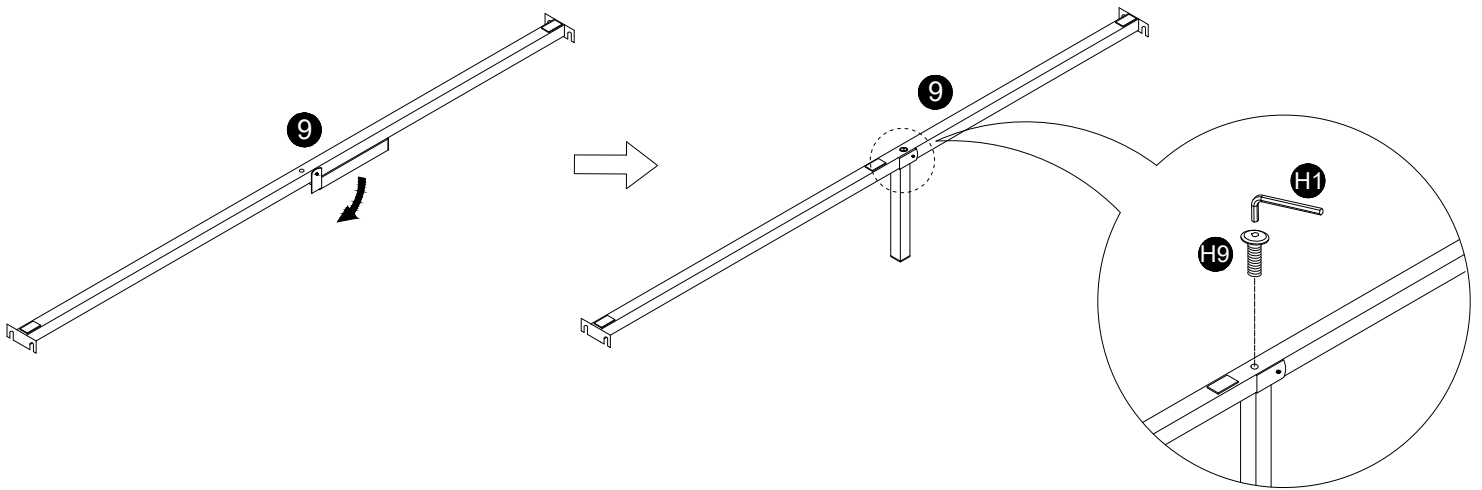
5



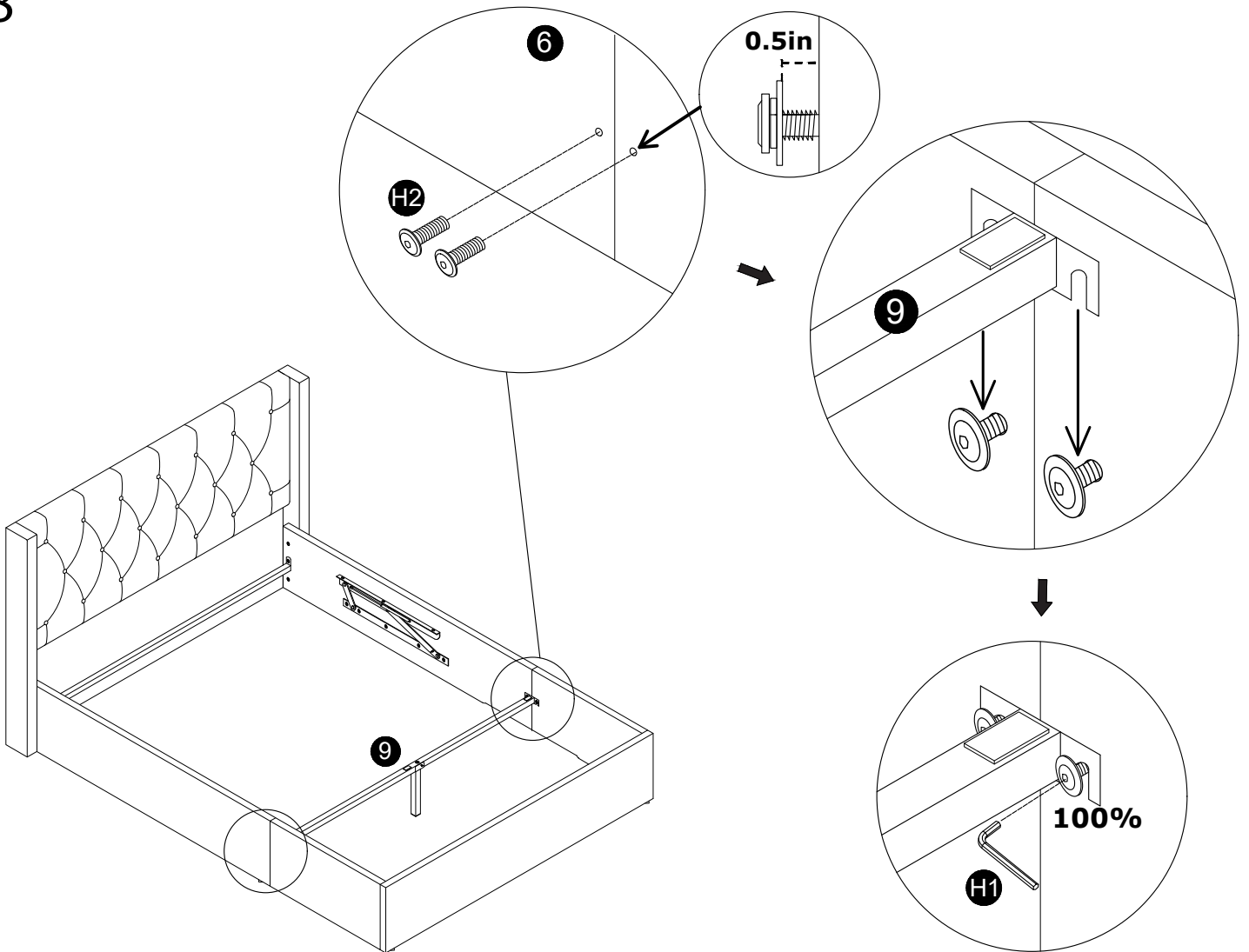
6

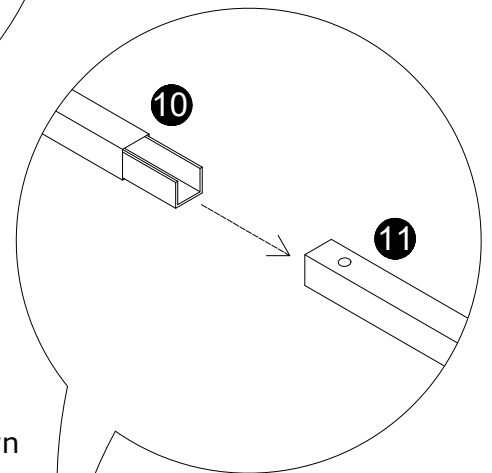
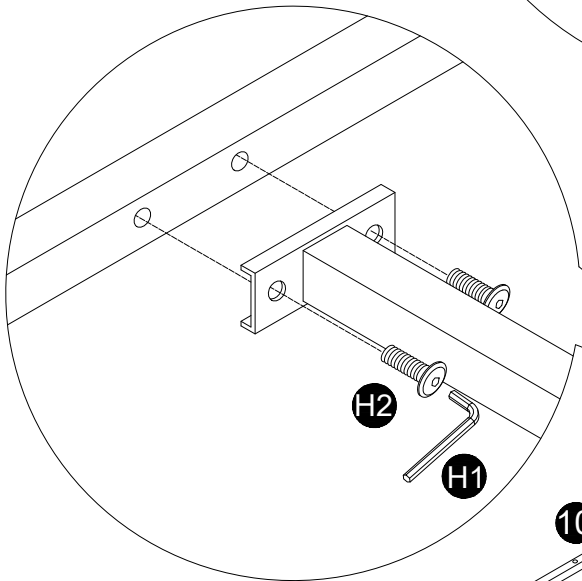
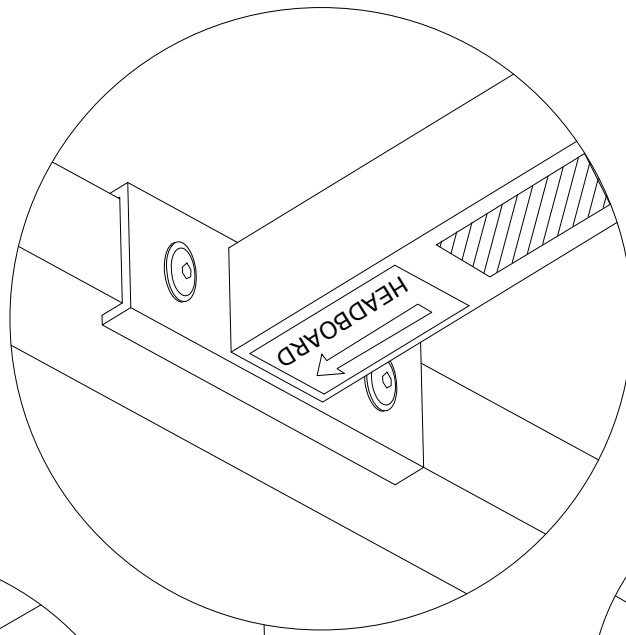


7

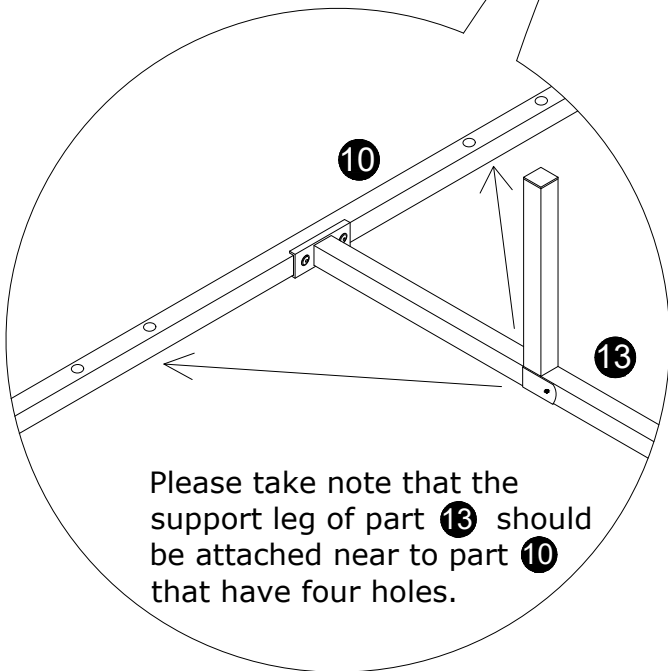
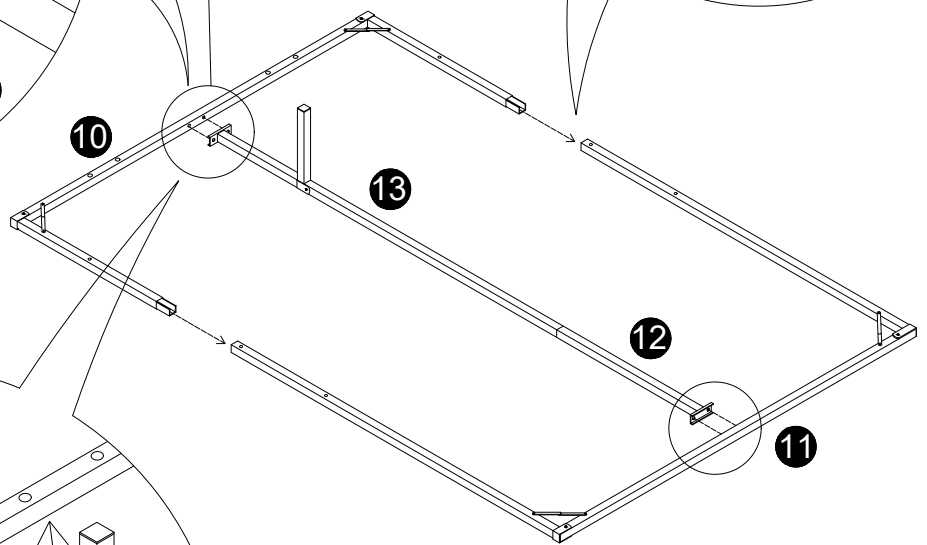


8



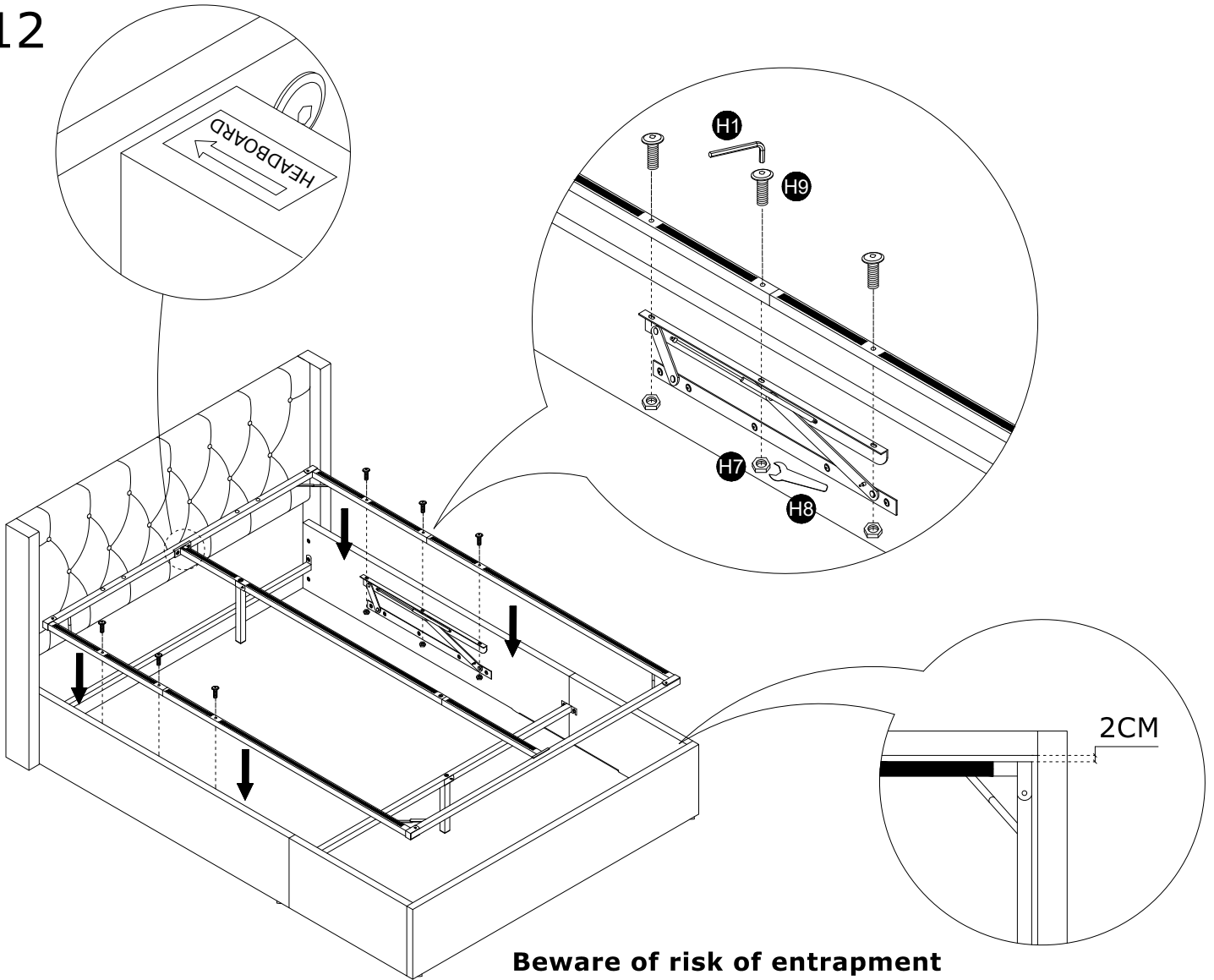


Shown upside down



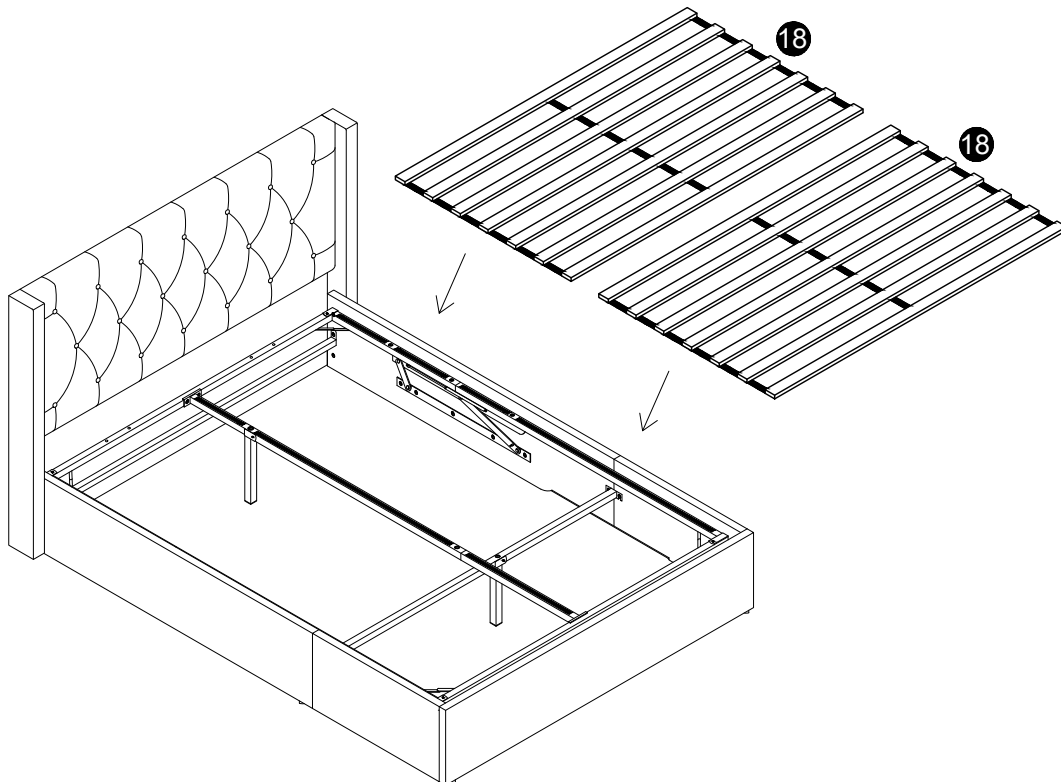
Please take note that the support leg of part 13 should be attached near to part 10 that have four holes.

12

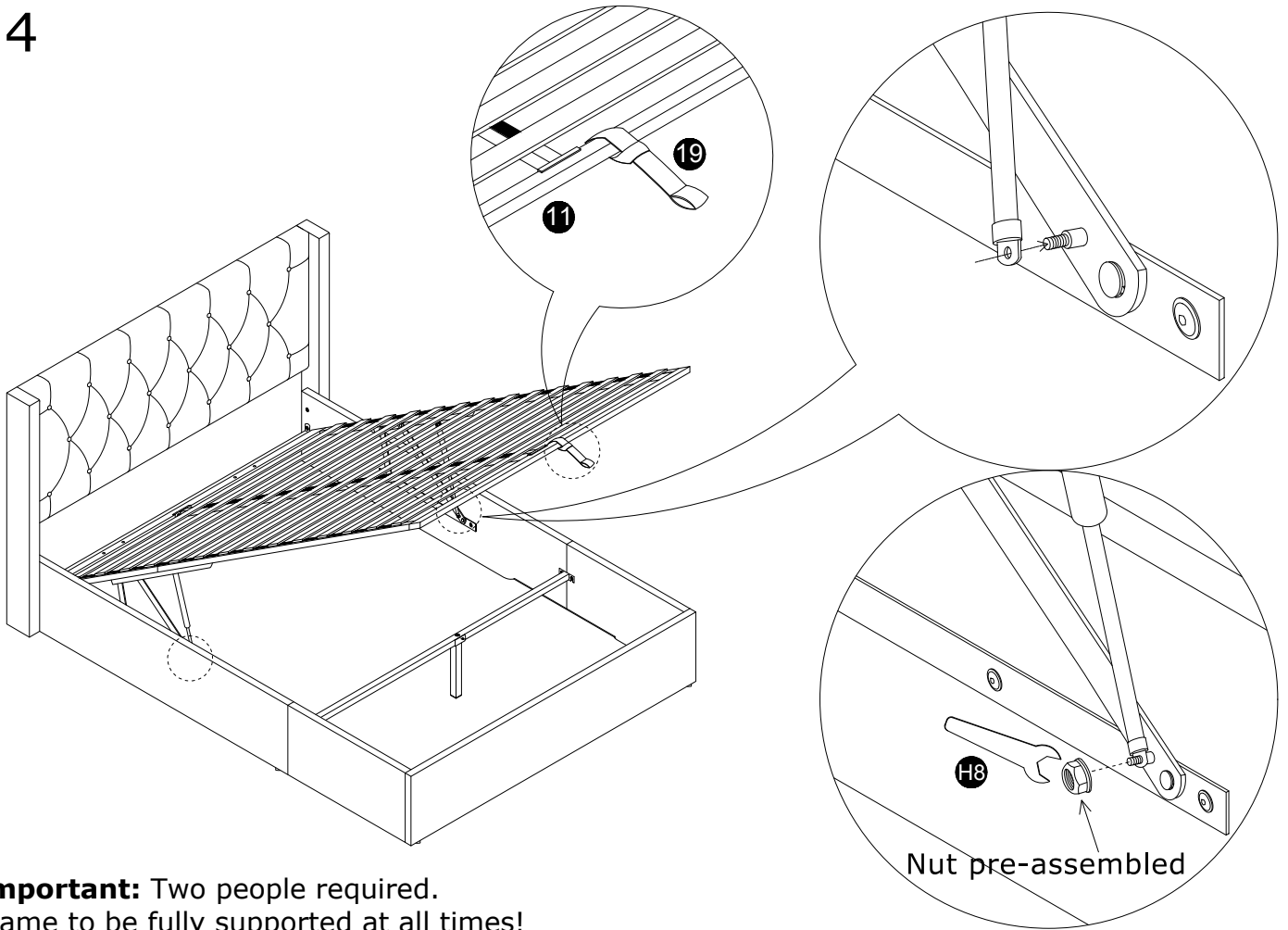


**Beware of risk of entrapment
from folding hinges!**

13

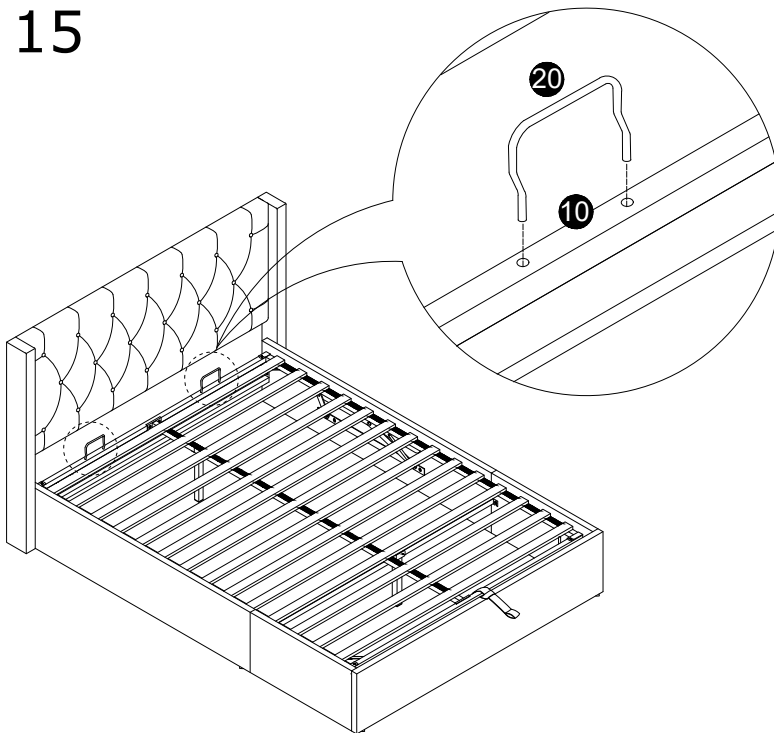


14

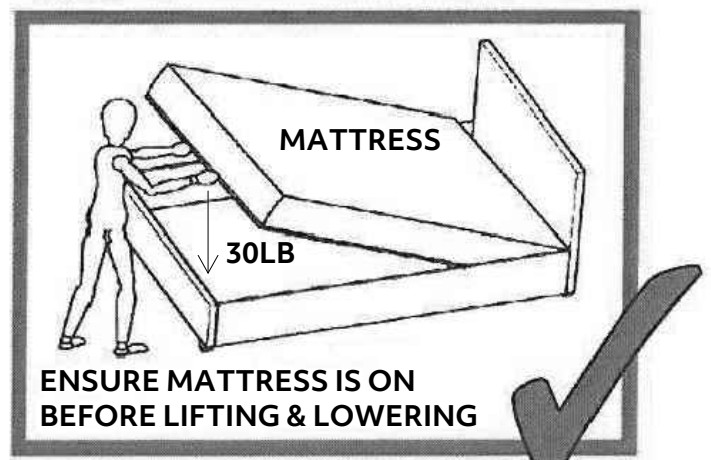


Important: Two people required.
Frame to be fully supported at all times!

15



**After placing the mattress on frame,
push down the frame with 30lbs force.**



Job Complete !

In the interest of our environment please dispose of all packaging thoughtfully.