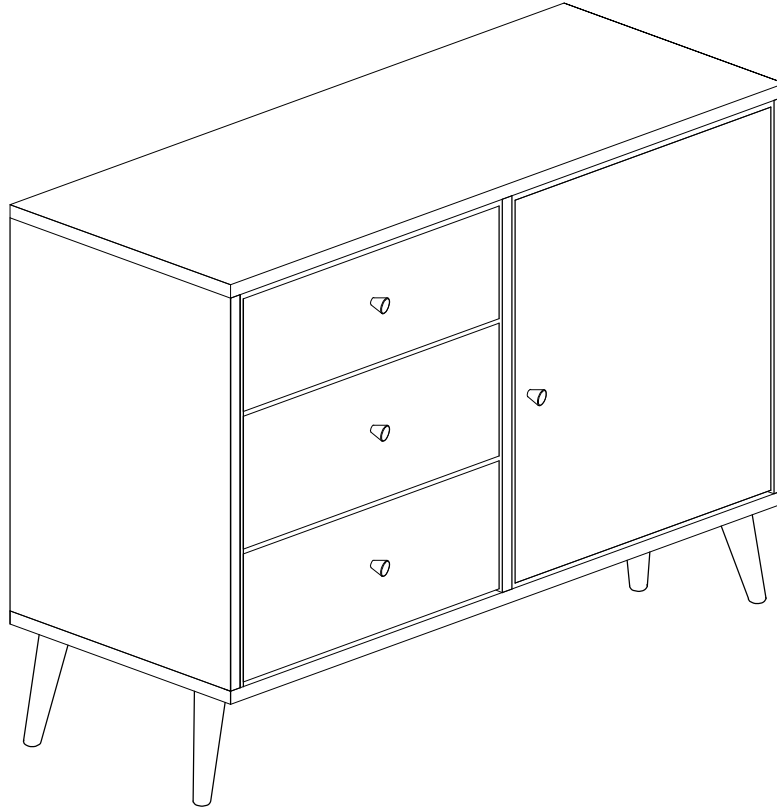


# ASSEMBLY INSTRUCTIONS

## Mid-Century Buffet



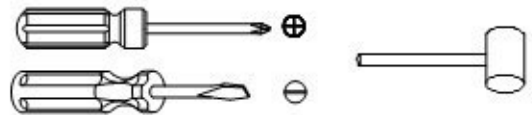
**NOTE : THE MAXIMUM WEIGHT THIS PRODUCT CAN HOLD IS 25 KG (55 LBS).**

### **ASSEMBLY REQUIREMENTS**

90 MINUTES  
Assembly Time  
(Approximate)

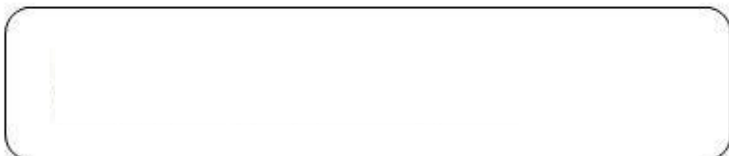
2-Person  
Assembly

Tools Required:  
(Not Provided)



**Thank you for purchasing our product!**

Please refer and use this assembly instruction to assemble the product.



**We appreciate your business!**

# ASSEMBLY INSTRUCTIONS

## Mid-Century Buffet

### ASSEMBLY PREPARATION

1. Remove all packaging materials, staples and packing straps from the carton.
2. Refer to Parts List and Hardware List and ensure they are complete before you start assembling.
3. Place all wooden parts on a clean, flat and soft surface (e.g. carpet or rug) to prevent parts from getting scratched.

### SAFETY PRECAUTION

1. KEEP ALL HARDWARE PARTS OUT OF REACH OF CHILDREN.
2. DISPOSE PLASTIC PACKAGING MATERIAL IMMEDIATELY TO AVOID ANY RISK OF SUFFOCATION TO CHILDREN AND ANIMALS.
3. **USE THE ANTI TIP STRAP TO SECURE THE FURNITURE TO A WALL TO PREVENT TIPPING.**
4. **DO NOT LET A CHILD OR CHILDREN CLIMB OR PLAY ON ANY PART OF THE FURNITURE.**

### TIPS FOR ASSEMBLY

1. Allow ample room for assembly and in close proximity to where product will be placed.
2. Assemble the product on a surface that does not scratch or damage the exterior gloss and finish of the furniture.
3. Please check all of the parts and quantities are included before assembly. Contact customer service for missing parts.
4. Identify all of the parts, hardware and quantities required for each step.
5. During assembly, do not over-tighten any fittings as this may cause damage.
6. **DO NOT USE POWER TOOLS TO ASSEMBLE THIS PRODUCT.**
7. Always place the product on a flat, stable surface.
8. Do not sit or stand on the partially assembled product; only use the product for which it is intended.
9. This product is made of reinforced hollow board. Excessive pressure can cause irreparable damage. Avoid standing or kneeling on any parts of the product during assembly.

### CARE AND MAINTENANCE

- Use a slightly damp cloth to clean the product. Do not use bleach or abrasive cleaning material.
- Check all the fittings periodically and re-tighten as necessary. Do not use the product if any of the parts is damaged or broken.
- Never allow any kind of liquid to remain on your furniture. Absorption can cause wood to warp or de-laminate.
- Do not place hot items (e.g. hot drinks) directly onto the wood surface.
- Do not drag and pull your furniture.

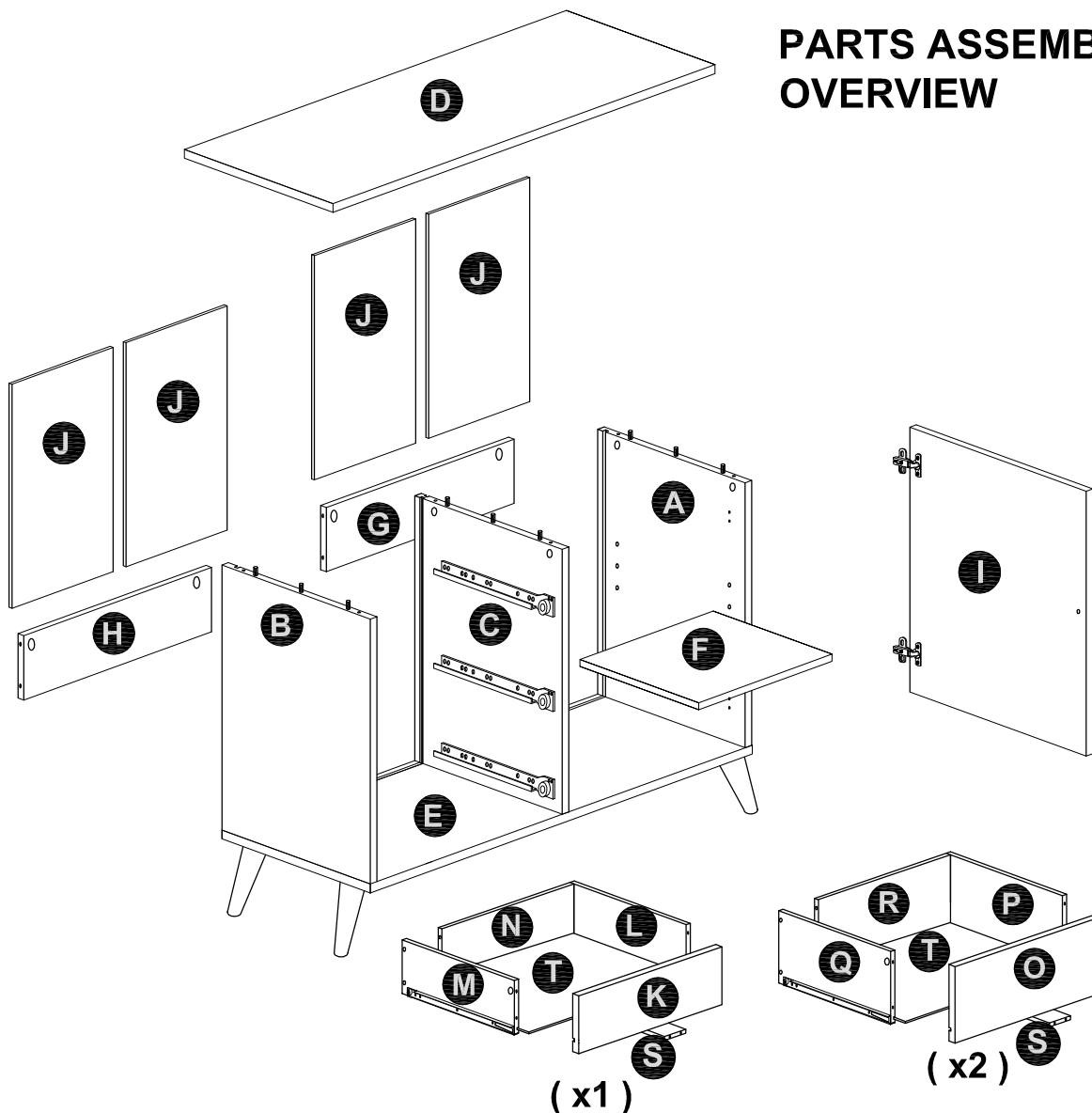
This product is for indoor and household use only - not for commercial use.

# ASSEMBLY INSTRUCTIONS

## Mid-Century Buffet

NO.	PART LIST	QTY	NO.	PART LIST	QTY
(A)	RIGHT PANEL	1	(K)	DRAWER FRONT-A	1
(B)	LEFT PANEL	1	(L)	DRAWER RIGHT PANEL-A	1
(C)	CENTER PANEL	1	(M)	DRAWER LEFT PANEL-A	1
(D)	TOP PANEL	1	(N)	DRAWER BACK PANEL-A	1
(E)	BOTTOM PANEL	1	(O)	DRAWER FRONT -B	2
(F)	SHELF	1	(P)	DRAWER RIGHT PANEL-B	2
(G)	BACK SUPPORT(RIGHT)	1	(Q)	DRAWER LEFT PANEL-B	2
(H)	BACK SUPPORT(LEFT)	1	(R)	DRAWER BACK PANEL-B	2
(I)	DOOR PANEL	1	(S)	DRAWER BOTTOM SUPPORT	3
(J)	BACK PANEL	4	(T)	DRAWER BASE	3

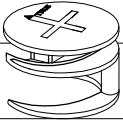
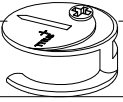
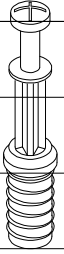

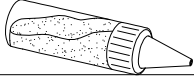
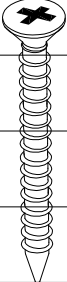
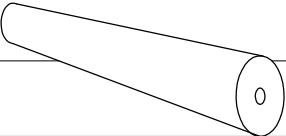
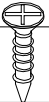
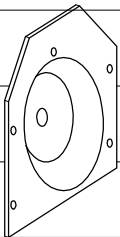
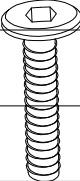

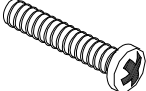
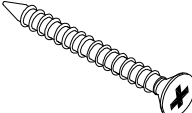
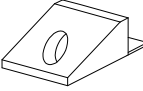
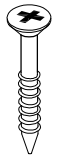
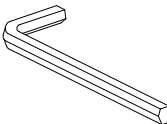
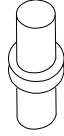
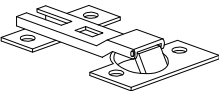
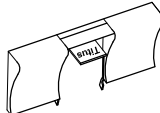

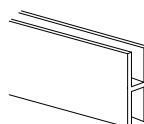

### PARTS ASSEMBLY OVERVIEW



# ASSEMBLY INSTRUCTIONS

## Mid-Century Buffet

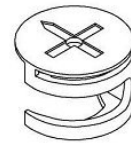
### HARDWARE LIST

					3cm 2cm 1cm 0cm	
<b>6X</b> Dia.15mm <b>1</b> LARGE CAMLOCK	<b>10X</b> Dia.15mm <b>2</b> SMALL CAMLOCK	<b>16X</b> M6.5 <b>3</b> CAM-BOLT	<b>34X</b> Dia.6 x 30mm <b>4</b> WOOD DOWEL	<b>2X</b> <b>5</b> GLUE 10CC		
					4cm 3cm 2cm 1cm 0cm	
<b>10X</b> M8 x 38mm <b>6</b> FLAT HEAD SCREW	<b>4X</b> <b>7</b> Dia.45/27- 180mm LEG	<b>20X</b> M3.5 x 12mm <b>8</b> FLAT HEAD SCREW	<b>4X</b> <b>9</b> LEG BRACKET	<b>4X</b> M8 x 35mm <b>10</b> ALLEN HEAD SCREW		
						
<b>4X</b> <b>11</b> KNOB	<b>4X</b> M4 x 19mm <b>12</b> PAN HEAD SCREW	<b>18X</b> M3.5 x 25mm <b>13</b> FLAT HEAD SCREW	<b>12X</b> <b>14</b> BACKPLY STOPPER	<b>12X</b> M3 x 20mm <b>15</b> FLAT HEAD SCREW	<b>1X</b> M5 <b>16</b> ALLEN KEY	<b>4X</b> Dia.5 x 16mm <b>17</b> SHELF STUB
						
<b>2X</b> <b>18</b> ADJUSTABLE HINGE	<b>1X</b> <b>19</b> DOOR SOFT CLOSED	<b>8X</b> M8 x 5/8mm <b>20</b> FLAT HEAD SCREW	<b>2X</b> <b>21</b> PVC H	<b>2X</b> <b>22</b> ANTI TIP STRAP		

# Instructions For Fastening CAM-BOLT and CAM-LOCK



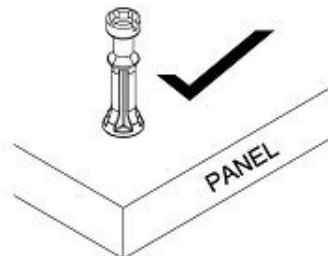
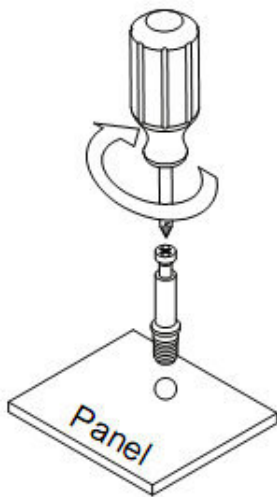
CAM-BOLT



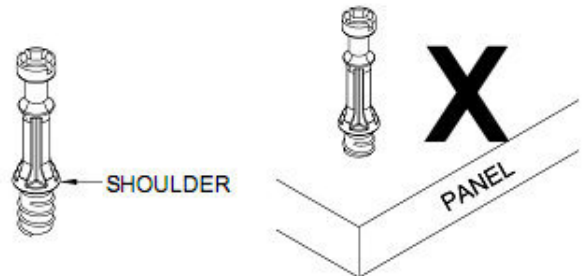
CAM-LOCK

## CAM-BOLT

Place Cam-bolt on the designated pre-drilled hole on the panel. Use a Phillips Screwdriver to turn Cam-bolt vertically until shoulder is snug and flushed with panel. Do not over-tighten or under-tighten Cam-bolt. See illustrations below.



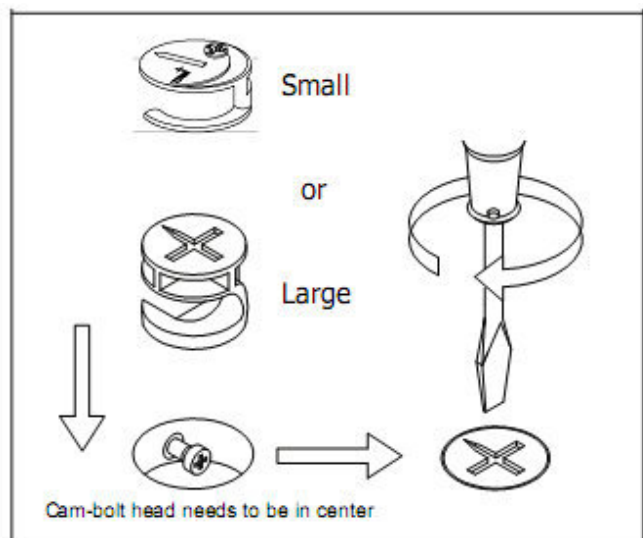
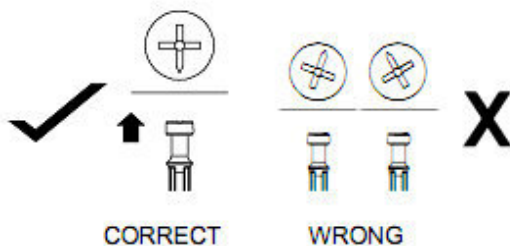
Shoulder is flushed  
(on the same level)  
with the panel.



Shoulder is  
above the panel.

## CAM-LOCK

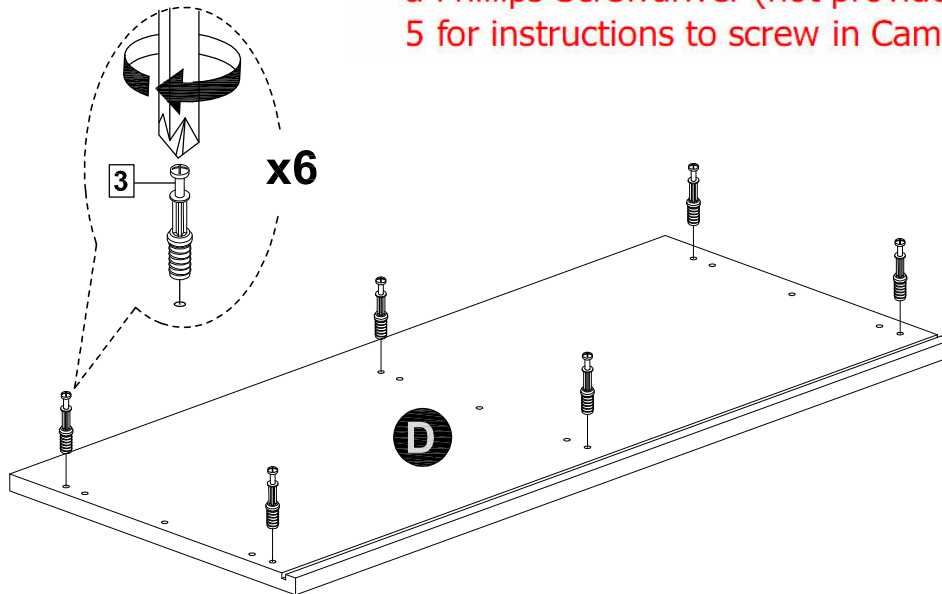
Align the arrow on the Cam-lock to the Cam-bolt head and insert the Cam-lock.



Use a Flat-head Screwdriver to turn Cam-lock clockwise to lock onto the head of the Cam-bolt. Turn until it is snug (about one half a turn) -- over-tightening could damage Cam-lock or/and Cam-bolt.

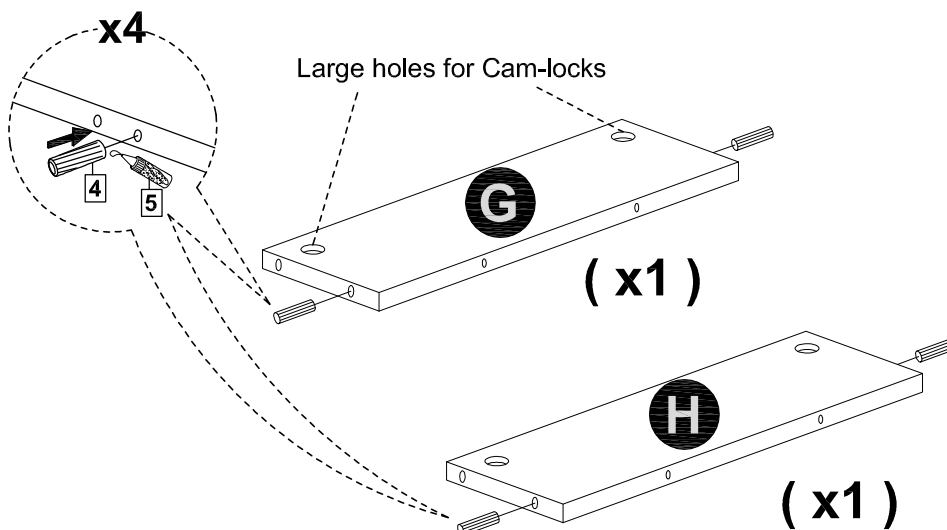
## STEP 1

- Place Top Panel (D) bottom-side up on a material that does not scratch or damage its surface.
- Locate the designated pre-drilled holes for Cam-bolt (3) as shown and screw-in the Cam-bolt using a Phillips Screwdriver (not provided). Refer to Page 5 for instructions to screw in Cam-bolt properly.



## STEP 2

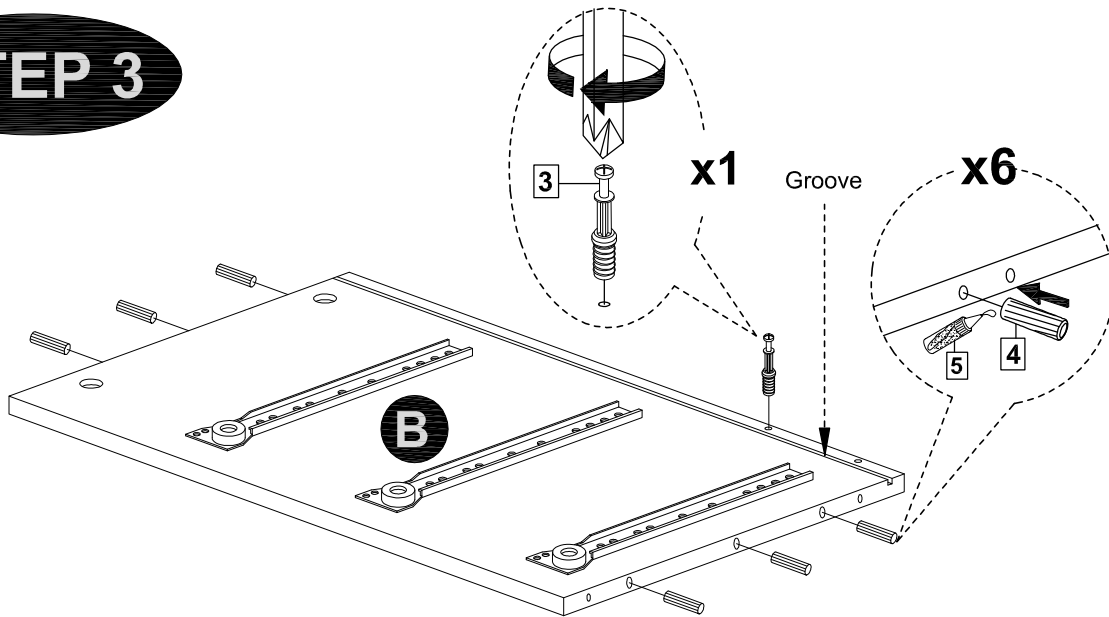
- Place Back Support Left & Right (H&G) as shown (note the large holes for Cam-lock are faced-up.)
- Locate the designated pre-drilled holes for Wood Dowel (4) on the side edges. Apply a small amount of Glue (5) to the wood dowel and insert into the hole. Use a mallet to lightly tap in wood dowel if necessary.



# ASSEMBLY INSTRUCTIONS

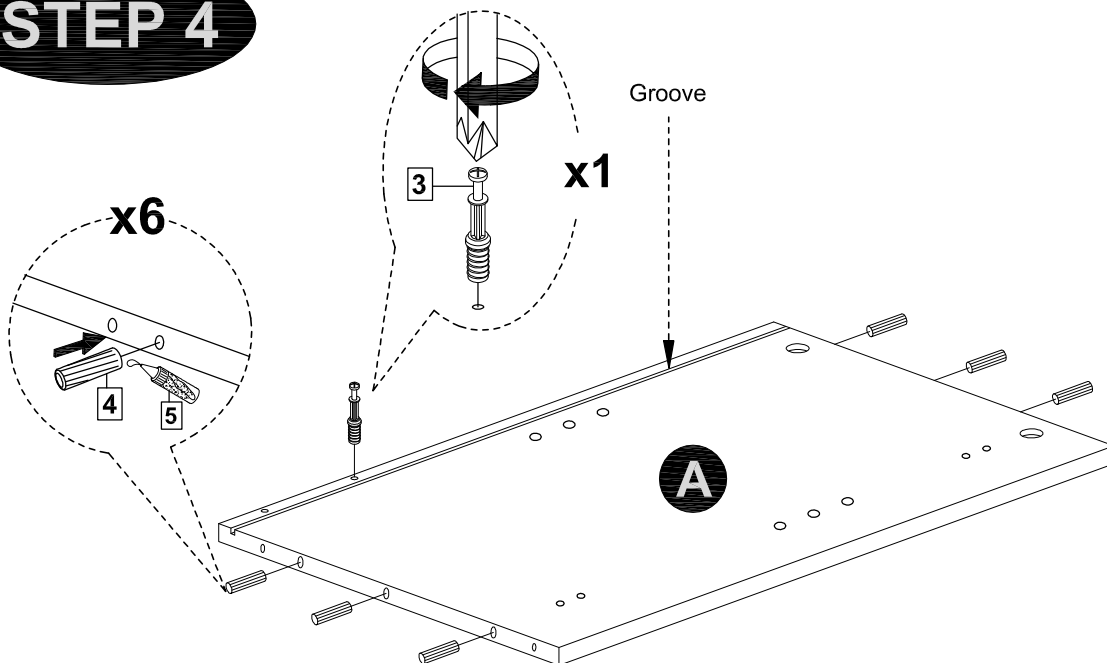
## Mid-Century Buffet

### STEP 3



- Place Left Panel (B) as shown on a material that does not scratch or damage its surface.
- Locate the designated pre-drilled holes for Wood Dowel (4) on top and bottom edges of (B). Apply a small amount of Glue (5) to wood dowel and insert into each hole. Use a mallet to lightly tap in wood dowel if necessary.
- Locate pre-drilled hole for Cam-bolt (3) along the groove-edge side of (B). Use a Phillips Screwdriver to screw-in Cam-bolt.

### STEP 4

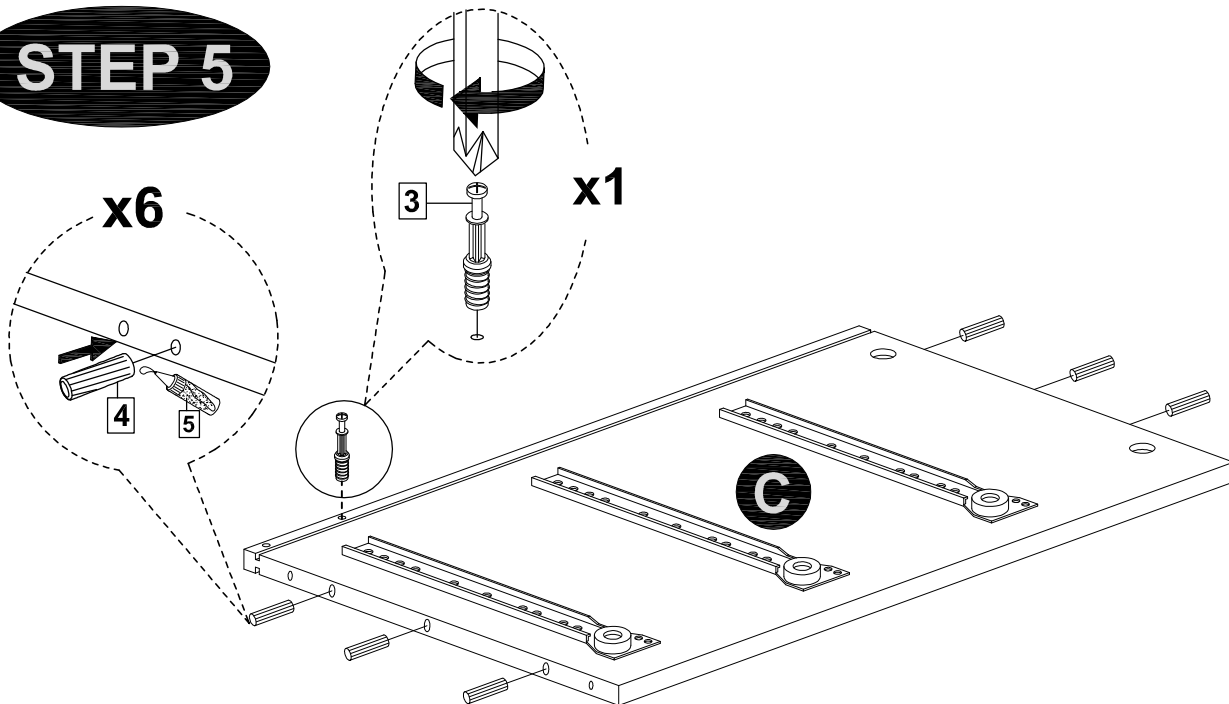


Use the same procedures in STEP 3 to insert Wood Dowels (4) and screw-in Cam-lock to Right Panel (A).

# ASSEMBLY INSTRUCTIONS

## Mid-Century Buffet

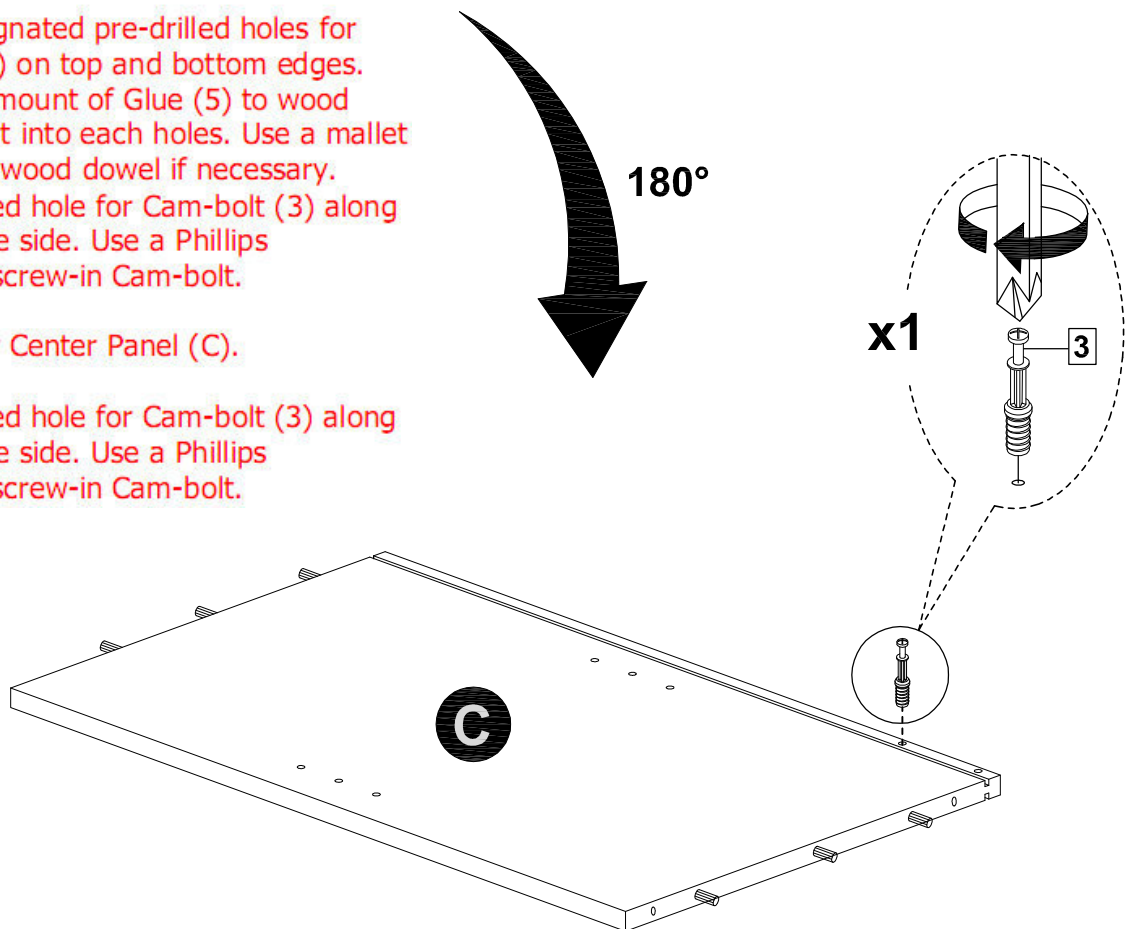
### STEP 5



- Place Center Panel (C) as shown on a material that does not scratch or damage its surface.
- Locate the designated pre-drilled holes for Wood Dowel (4) on top and bottom edges. Apply a small amount of Glue (5) to wood dowel and insert into each holes. Use a mallet to lightly tap in wood dowel if necessary.
- Locate pre-drilled hole for Cam-bolt (3) along the groove-edge side. Use a Phillips Screwdriver to screw-in Cam-bolt.

Next, Turn over Center Panel (C).

- Locate pre-drilled hole for Cam-bolt (3) along the groove-edge side. Use a Phillips Screwdriver to screw-in Cam-bolt.



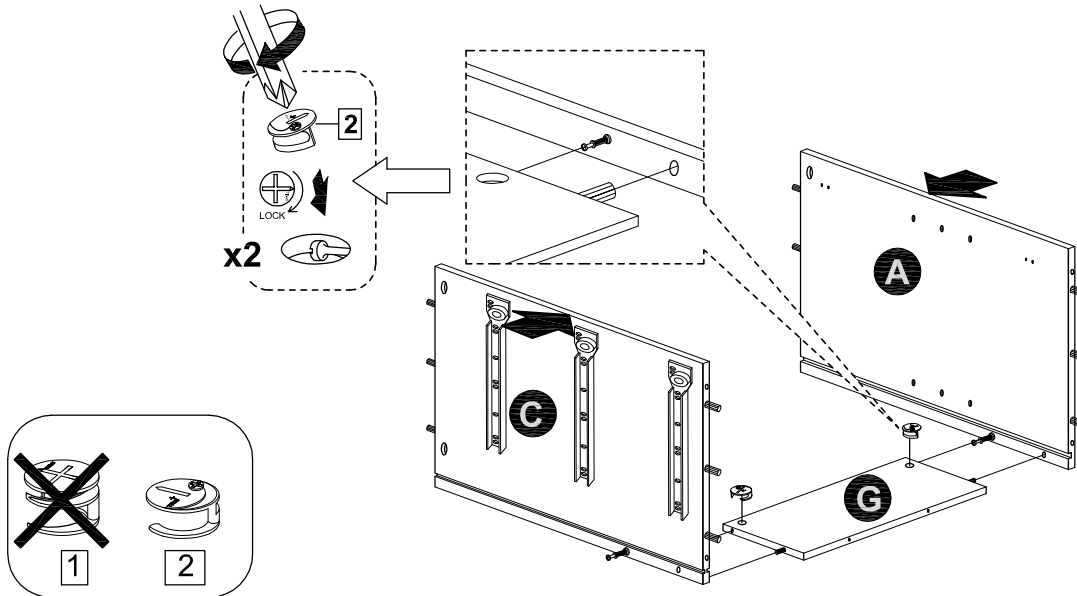


# ASSEMBLY INSTRUCTIONS

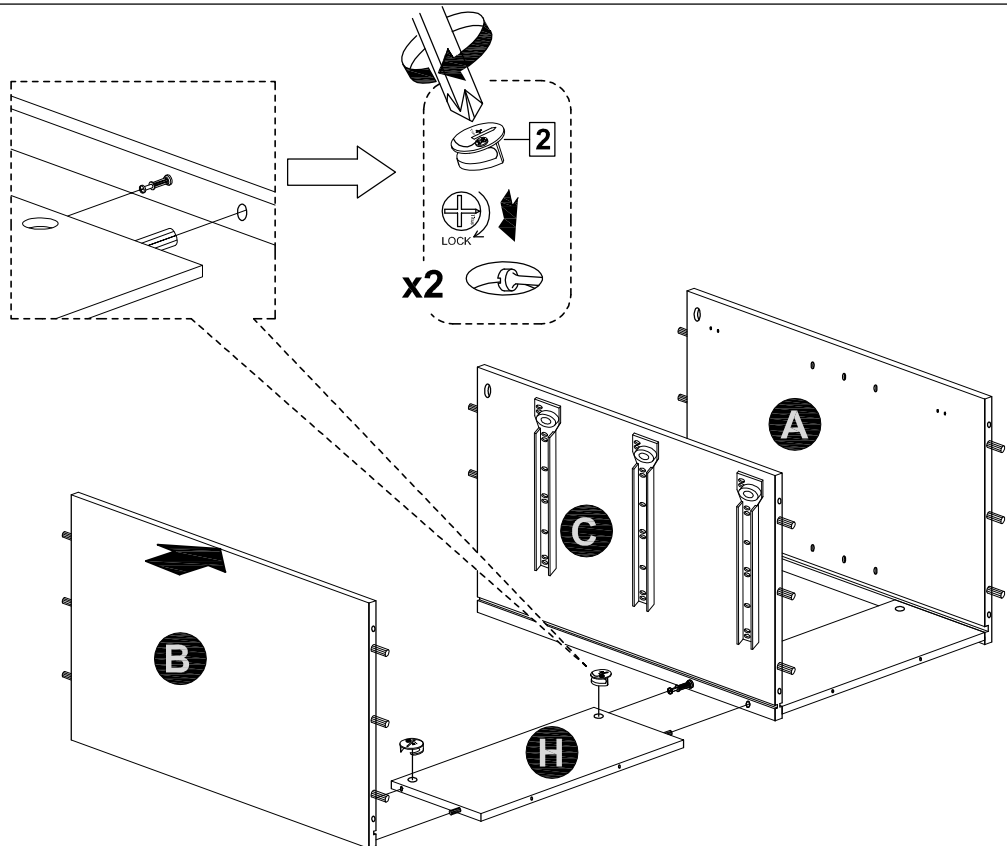
## Mid-Century Buffet

### STEP 6

Attach Back Support-Right (G) to Right Panel (A) and Center Panel (C) via Wood Dowels and Cam-bolt on (G), (A) and (C), respectively. Next, insert Cam-lock (2) - be sure to use the smaller Cam-lock (2) - into the designated holes on (G) to lock cam-bolts to fasten (G) to (A) & (C). Refer to Page 5 for instruction for proper application of Cam-lock.

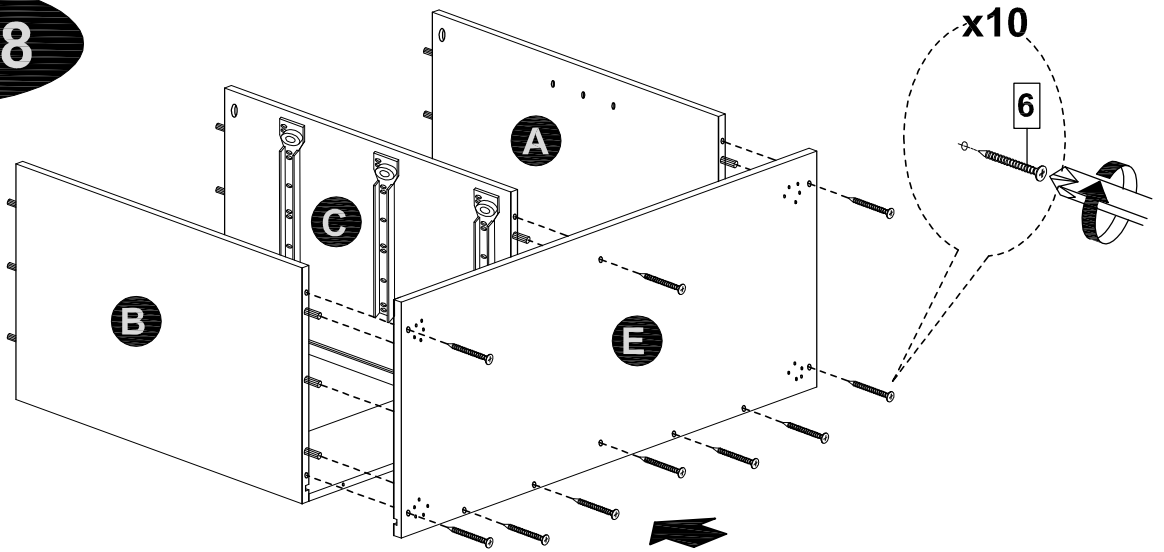


### STEP 7



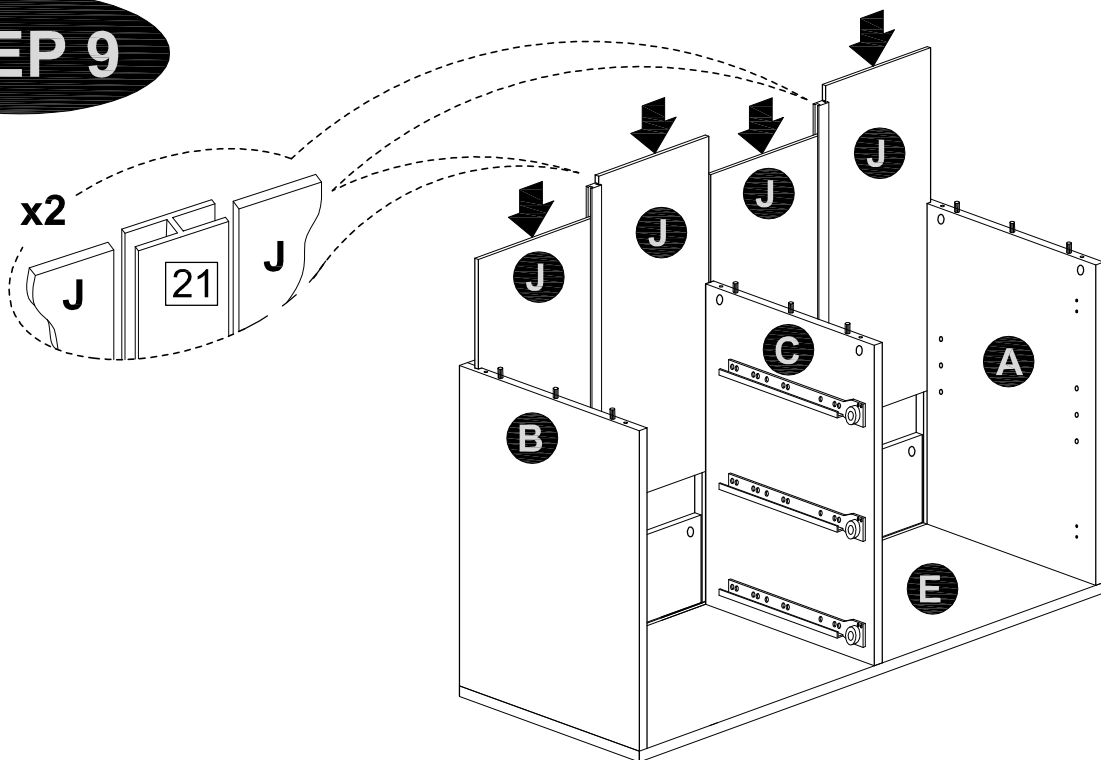
Use the procedures in STEP 6 to attach and secure Back Support-Left (G) to Left Panel (B) and Center Panel (C).

**STEP 8**



- Identify the side of Bottom Panel (E) that have pre-drilled holes for wood dowels (in addition to through-holes for screw.) Align the wood dowel holes on (E) to Wood Dowels on the bottom edge of (A), (B) & (C) and attach (E).
- Fasten (E) to (A), (B) & (C) with Screw ( 6 ). Use a Phillips Screwdriver to drive Screw ( 6 ).

**STEP 9**

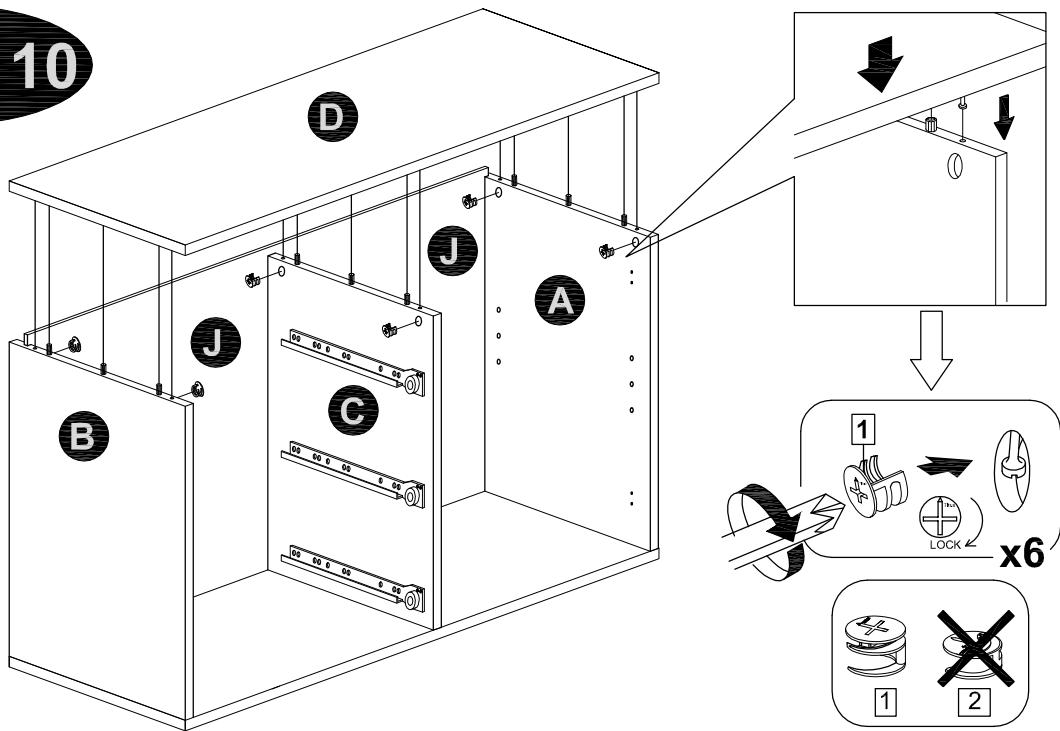


- Place assembly unit in STEP 8 upright to sit on the Bottom Panel (E) as shown.
- Use PVC-H(21) to join 2 pieces of Back Panel (J) length-wise.
- Fit each of the joined Back Panels between Right & Center Panels (A & C) and Left & Center Panels (B & C) by inserting into the groove on (A), (B) & (C).

# ASSEMBLY INSTRUCTIONS

## Mid-Century Buffet

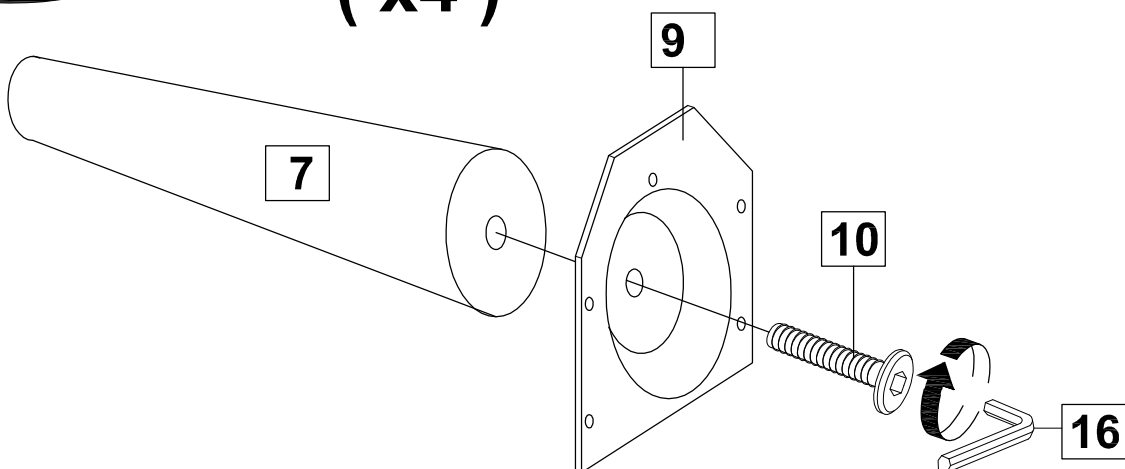
### STEP 10



- Position Top Panel (D) to fit onto Right, Left & Center Panel (A, B & C) via Cam-bolts and Wood Dowels holes as shown. Check that Back Panels (J) fit into the groove at the rear edge of (D).
- Insert Cam-lock (1) - be sure to use the larger Cam-lock (1) - into the designated holes on (A, B & C) to lock cam-bolts to fasten (D). Refer to Page 5 for instruction for proper application of Cam-lock.

### STEP 11

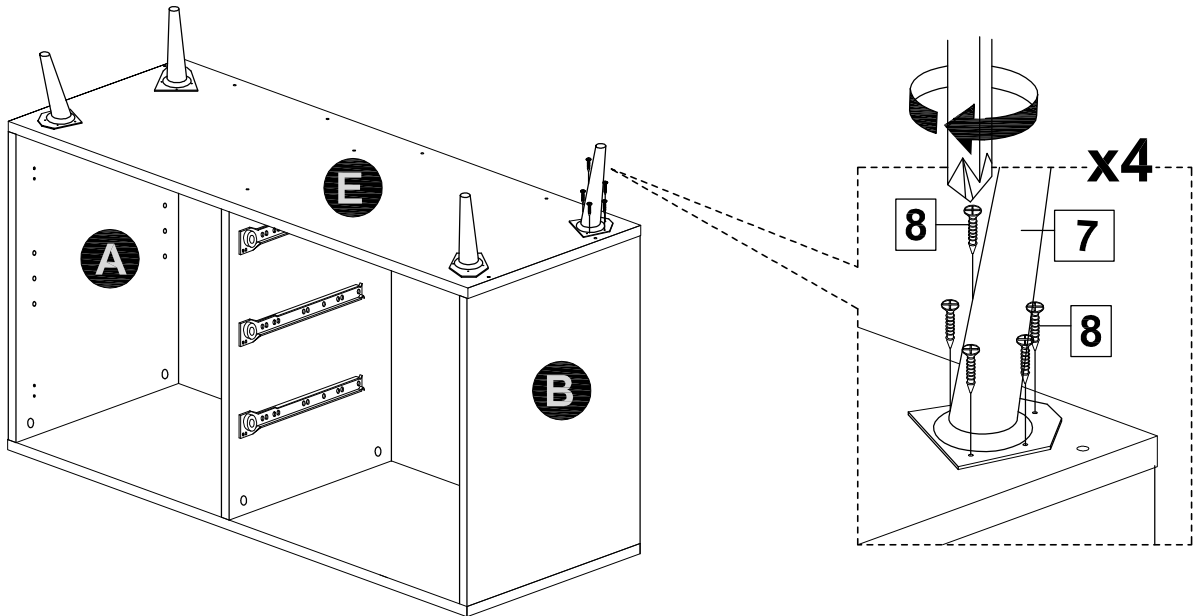
( x4 )



Fit Leg (7) to Leg Bracket (9) by using Allen Head Screw. Ensure that the angled top edge of the leg is aligned to tapered edge of the bracket. Use Allen Key (16) to drive Allen Head Screw.

## STEP 12

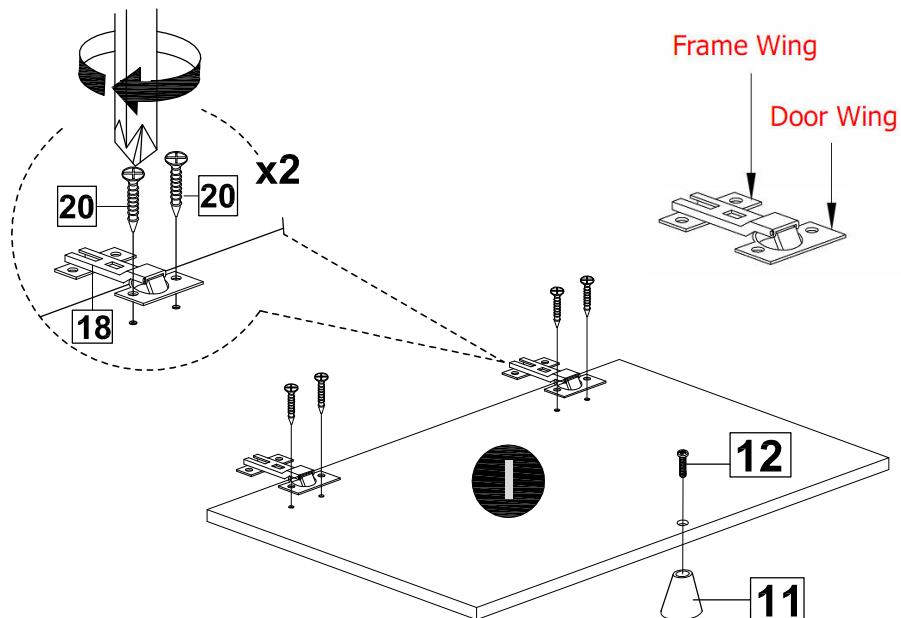
Place the assembly unit completed in STEP 10 bottom-side up as shown on a material that does not scratch or damage the surface of Top Panel.



Position Leg (7) with the tapered edge of the Leg Bracket pointing to the corner. Align screw holes on Leg Bracket to pilot holes on Bottom Panel (E).

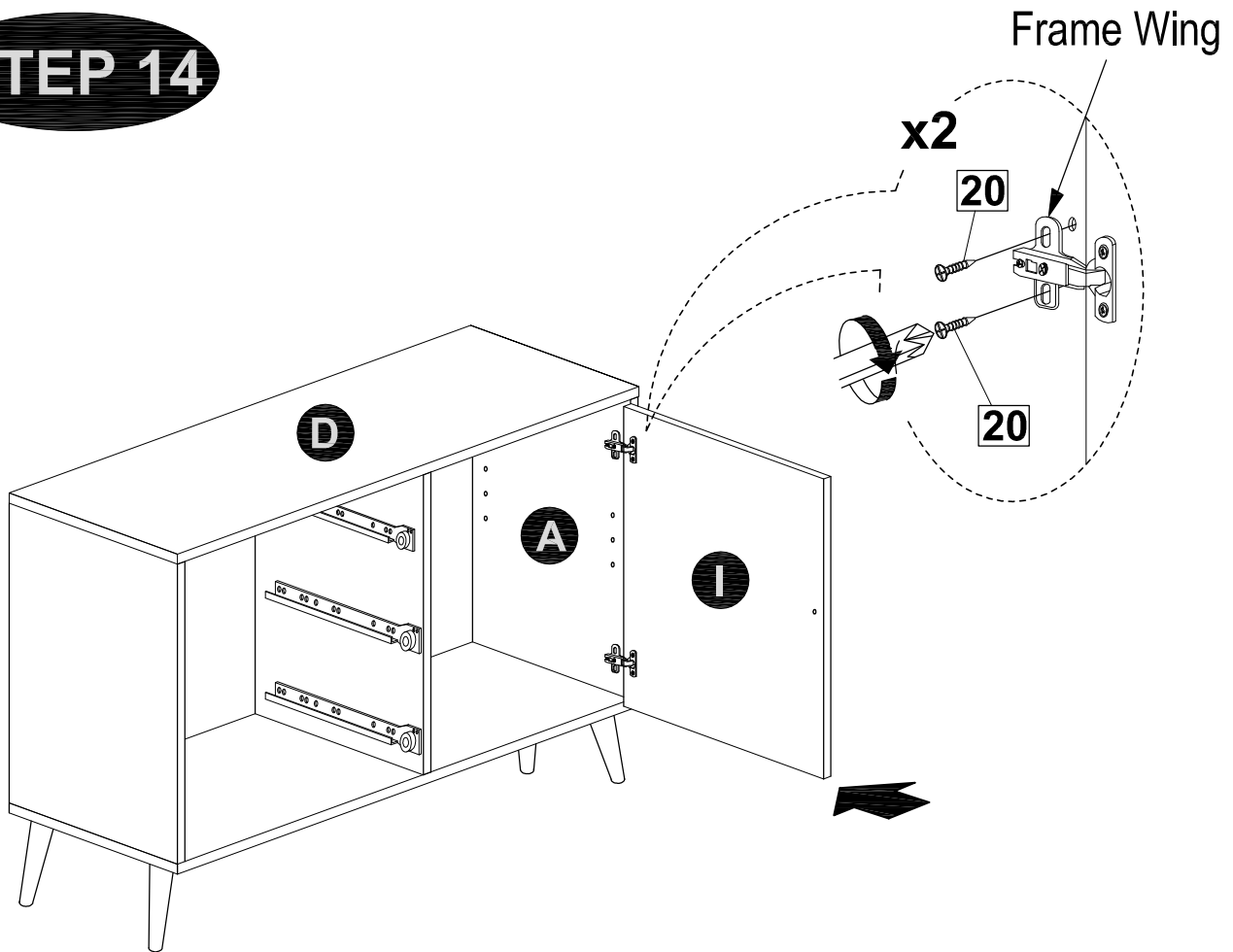
Use a Phillips Screwdriver to drive Screw (8) to fasten Leg Bracket to Bottom Panel (E).

## STEP 13



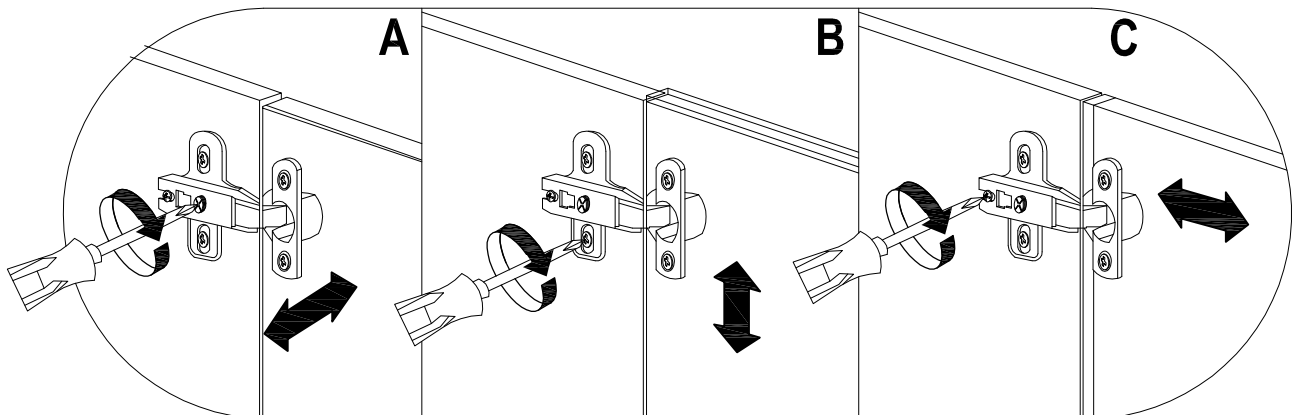
- Place Door (I) as shown on a material that does not scratch or damage the front surface.
- Place Adjustable Hinge (18) as shown with the screw holes on the door wing of the hinge align to the pilot holes on (I) and fasten with Flat Head Screws (20). Use Phillips Screwdriver to drive the screws.
- Insert Pan Head Screw (12) to affix door Knob (11) on the front surface. Use Phillips Screwdriver to drive the screw.

**STEP 14**



- a) Position Door (I) as shown.
- b) Align the screw holes on the frame wing of the hinge to the pilot holes on Right Panel (A) and fasten with Flat Head Screws (20). Use Phillips Screwdriver to drive the screws.

**Hinges Adjustment**

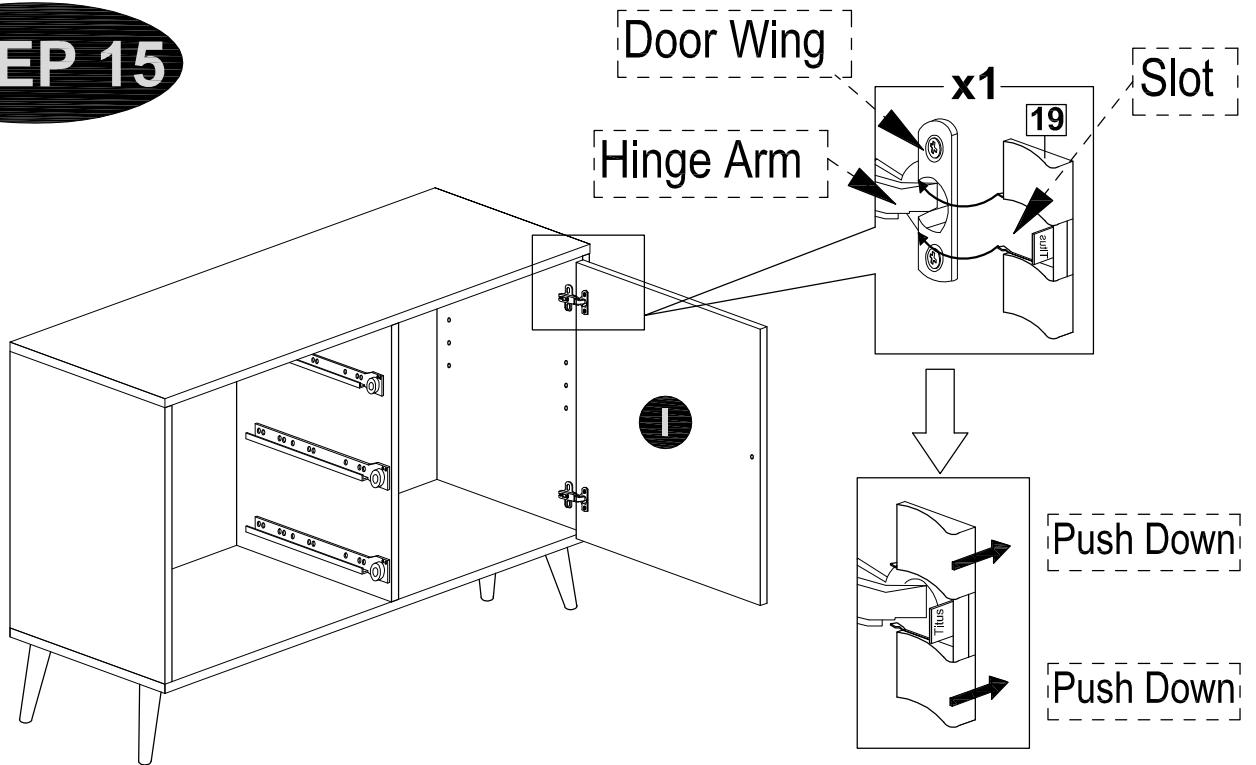


**A.** Turn front screw to adjust door overlay (sideway).

**B.** Rotate cam screw on mounting plate to adjust door height.

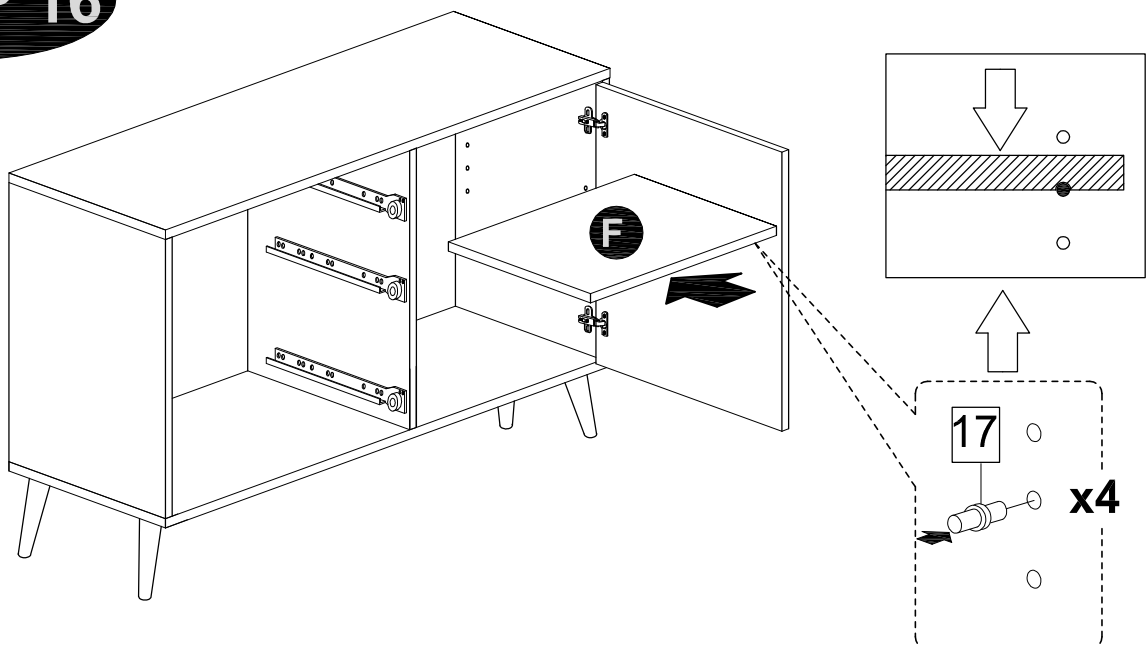
**C.** Turn rear screw for door depth adjustment.

**STEP 15**



To install Door Soft-Close (19), first, slide slot (19) to fit onto Hinge Arm and then push down to cover the Door Wing.

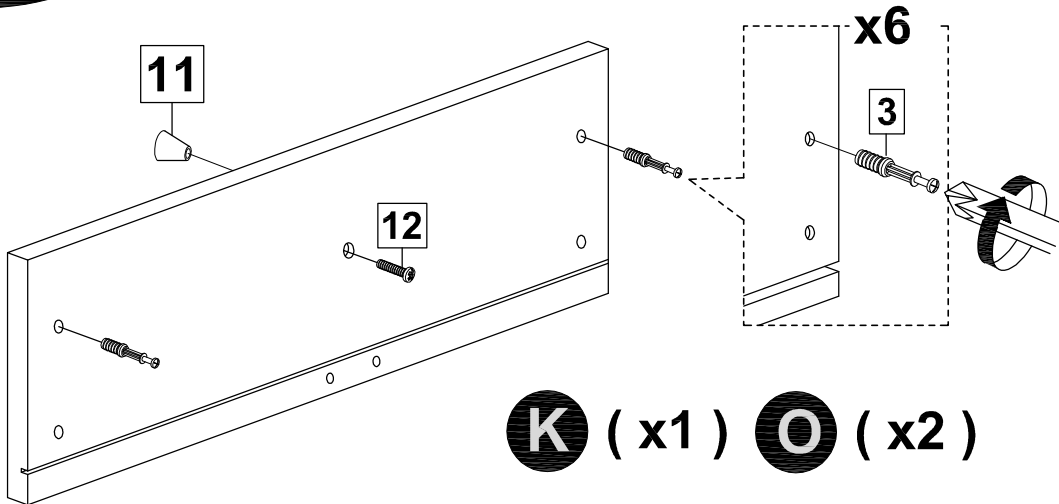
**STEP 16**



Insert Shelf Stub (17) into the holes (desired level) on Right and Center Panel and put in Shelf (F) to sit on the stubs.

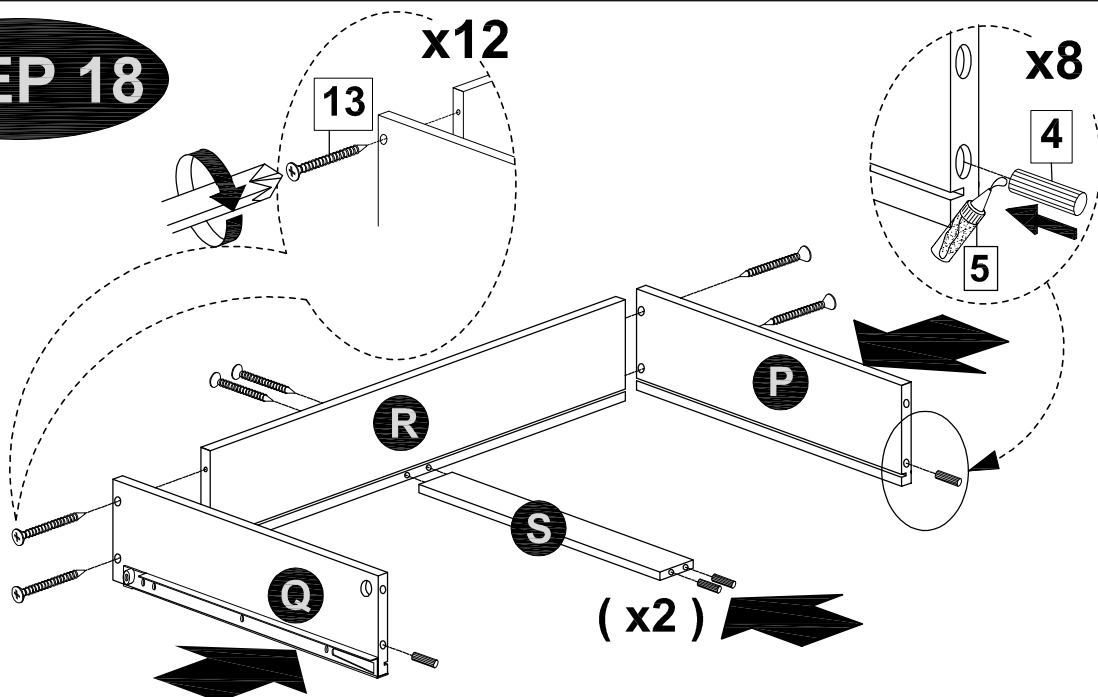
## STEP 17

The drawing shows Drawer Front in a vertical position for clarity and to show the placement of the drawer Knob. It is easier to screw in the Cam-bolts with the Drawer Front place flat down.



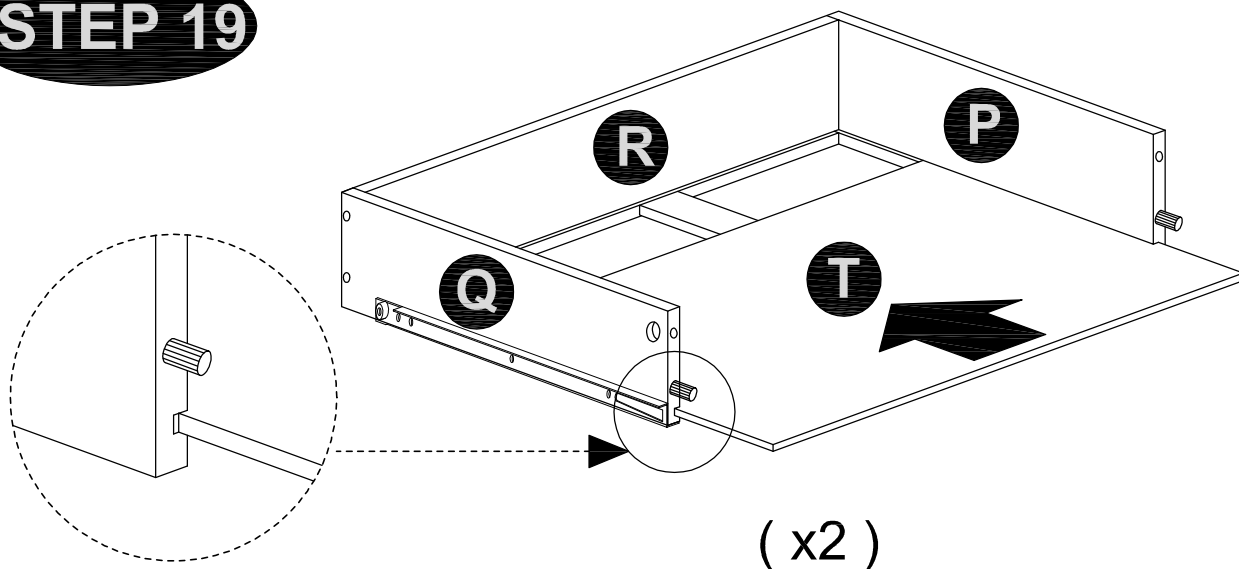
- Place Drawer Front-A (K) with the front face, faced down on a material that does not scratch or damage the front surface. Use a Phillips Screwdriver to screw in Cam-bolts (3) into the designated holes (closest to the top edge.)
- Insert Pan Head Screw (12) to affix Knob (11) on the front surface. Use Phillips Screwdriver to drive Screw (12).
- Use the above procedures a) and b) to screw in Cam-bolts and affix Knob for Drawer Front-B (O)

## STEP 18



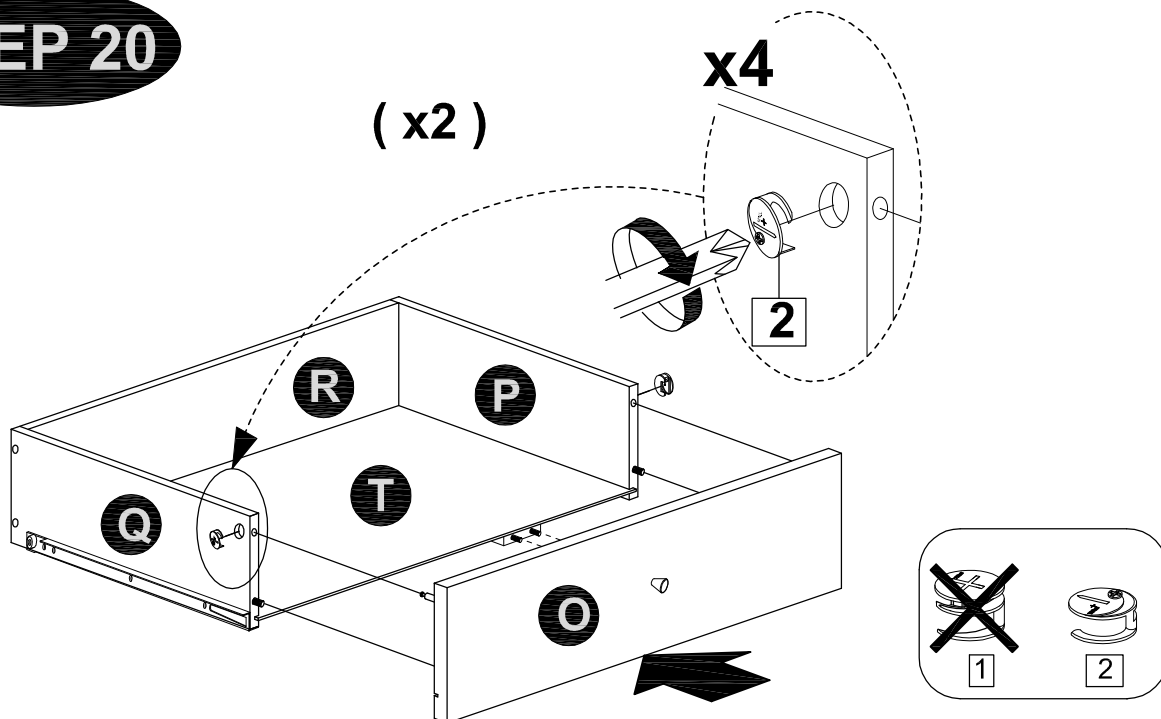
Position Drawer Right and Left Panel-B (P & Q), Drawer Bottom Support (S) and Drawer Back Panel-B (R) as shown. Use a Phillips Screwdriver to drive Flat Head Screw (13) to fasten (P), (Q) and (S) to (R). Next, apply a small amount of Glue (5) to Wood Dowel (4) and insert into designated holes on (P), (Q) and (S).

**STEP 19**



Fit Drawer Bottom (T) to the Drawer Panels through the groove on (P, Q & R) as shown.

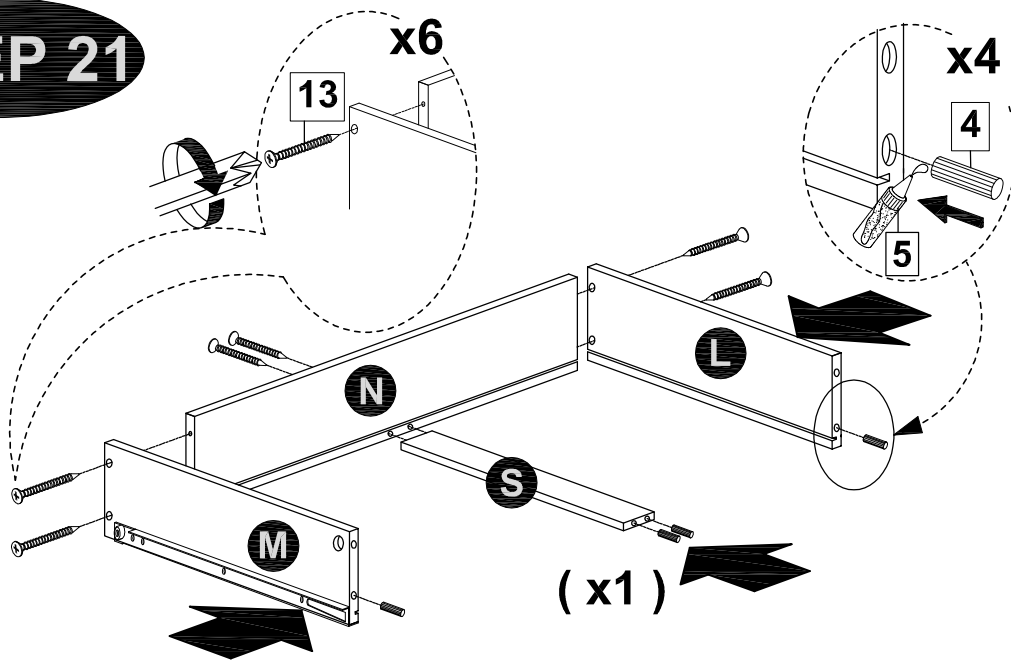
**STEP 20**



Attach Drawer Front-B (O) from STEP 17 to Drawer Right and Left Panel-B (P & Q) via Cam-bolts and Wood Dowel, respectively. Insert Cam-lock (2) into the designated holes on (P & Q) to lock onto Cam-bolts to fasten (O).

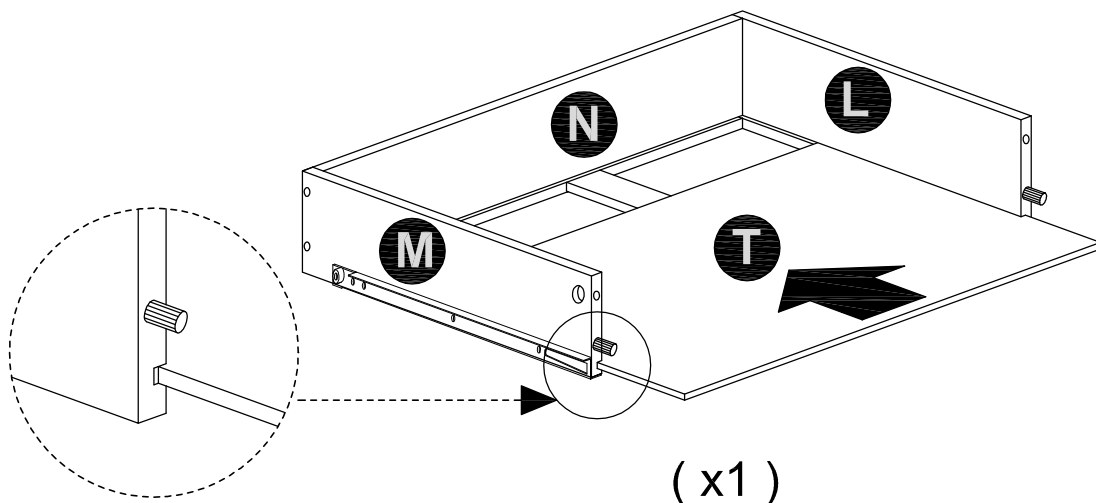


**STEP 21**



Position Drawer Right and Left Panel-A (L & M), Drawer Bottom Support (S) and Drawer Back Panel-A (N) as shown. Use a Phillips Screwdriver to drive Flat Head Screw (13) to fasten (L), (M) and (S) to (N). Next, apply a small amount of Glue (5) to Wood Dowel (4) and insert into designated holes on (L), (M) and (S).

**STEP 22**

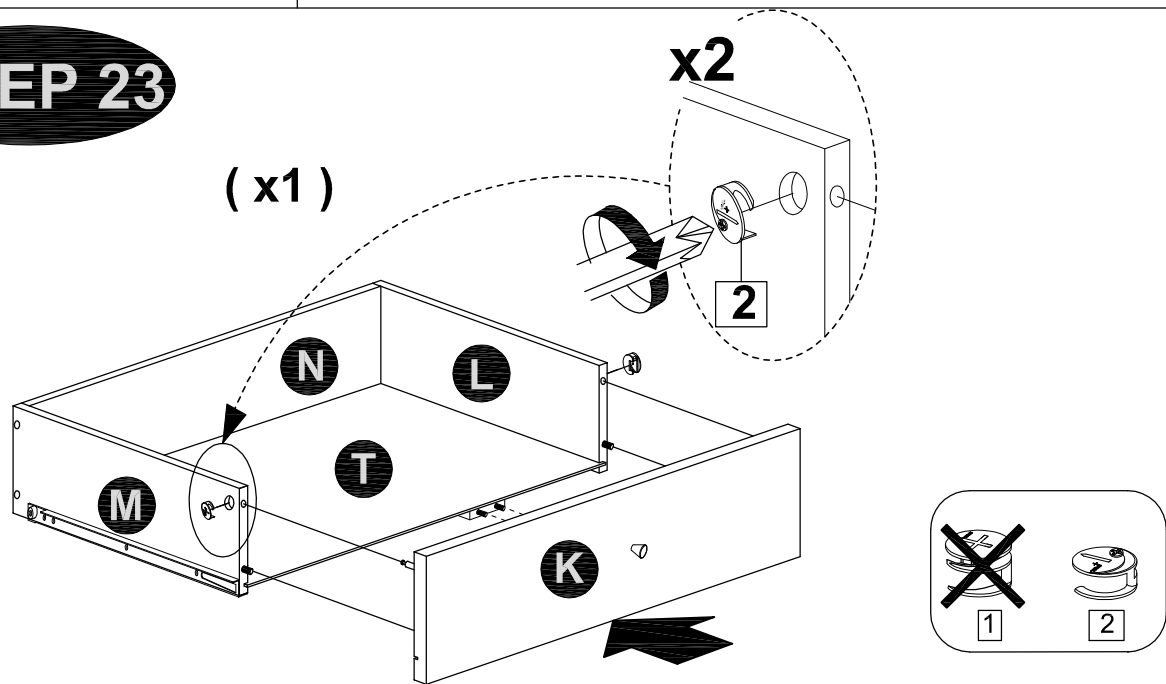


Fit Drawer Bottom (T) to the Drawer Panels through the groove on (L, M & N) as shown.

# ASSEMBLY INSTRUCTIONS

## Mid-Century Buffet

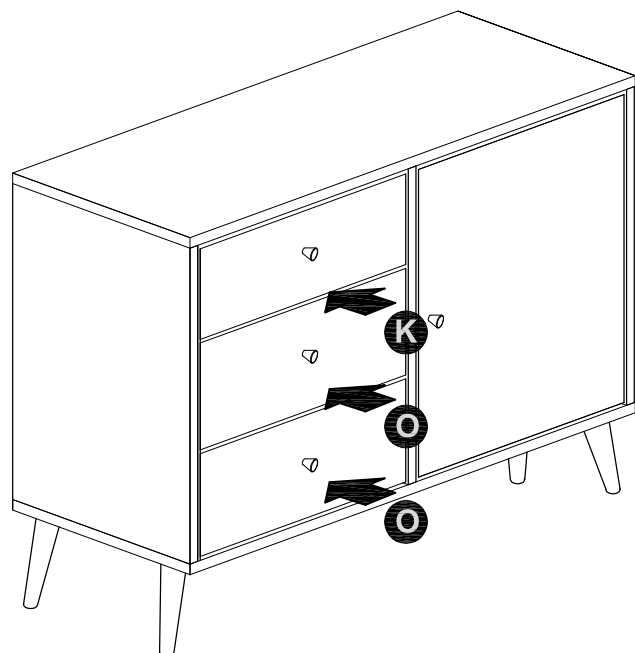
### STEP 23



Attach Drawer Front-A (K) from STEP 17 to Drawer Right and Left Panel-B (L & M) via Cam-bolts and Wood Dowel, respectively. Insert Cam-lock (2) into the designated holes on (L & M) to lock onto Cam-bolts to fasten (K).

### STEP 24

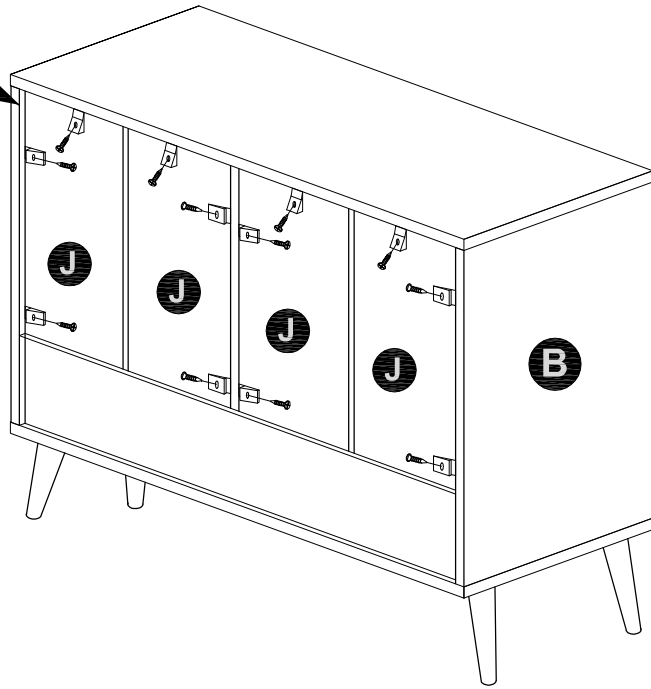
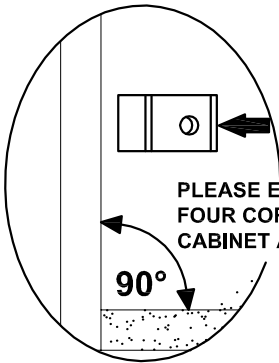
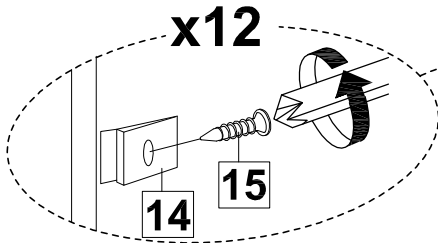
To insert drawer, position rollers (on the drawer slide on each side of the drawer) above the rollers on the slide located on the Left and Center Panels. Lift the Back Panel end of the drawer slightly upward to slide the rollers on the drawer into the drawer slide on the panels, and then push in the drawer gently.



# ASSEMBLY INSTRUCTIONS

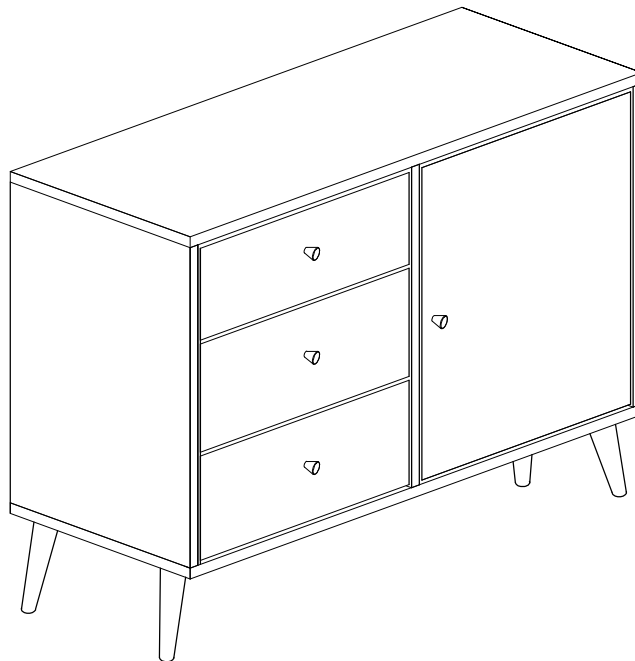
## Mid-Century Buffet

### STEP 25



Place Backply Stopper (14) as shown. Use a Phillips Screwdriver to drive Flat Head Screw (15) to fasten Backply Stopper (14) to secure Back Panel (J).

### STEP 26



The assembly of the Carroll Mid-Century Buffett is complete.

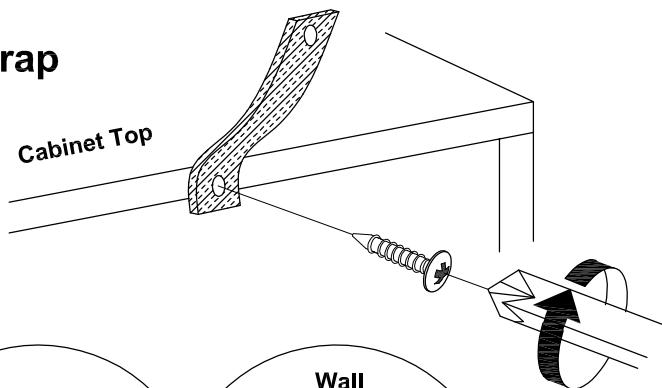
# ASSEMBLY INSTRUCTIONS

## SAFETY WARNING :

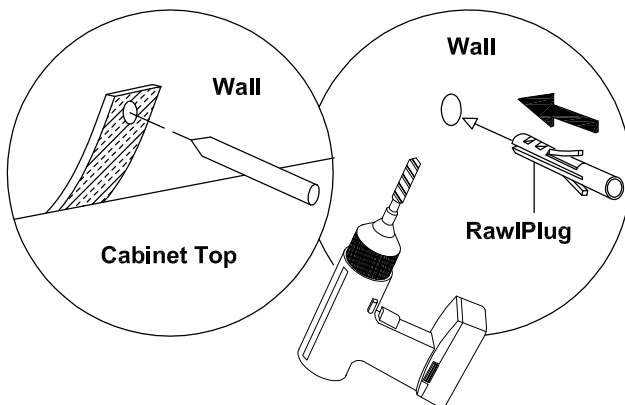
It is highly recommended to install and fasten the anti-tip strap to this item to prevent tipping over and causing injury.

## FASTENING ANTI-TIP STRAP

**STEP 1 :**  
Insert screw through Strap into pre-drilled holes on cabinet.

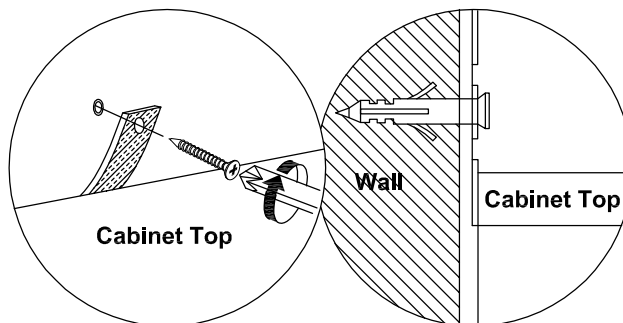


**STEP 2 :**  
Make a mark on the wall through the strap.



**Drill a hole in the wall and insert the wall anchor / Rawl plug.**

**STEP 3 :**  
Insert screw through strap and drive the screw onto wall anchor / RawlPlug



**NOTE :** Wall fixings are not supplied with this product as different wall materials require different types of wall anchors and fasteners. You must use suitable fixing devices for the wall to mount this product to. Ensure that the head of any screw used has a diameter greater than the diameter of the mounting hole on the strap and that the fixing is safe and secure before use. The screw supplied is for fastening the anti-tip strap to the cabinet.

### HARDWARE LIST



**Anti-Tip Strap - 2pcs**



**M4 x 16MM - 2pcs**