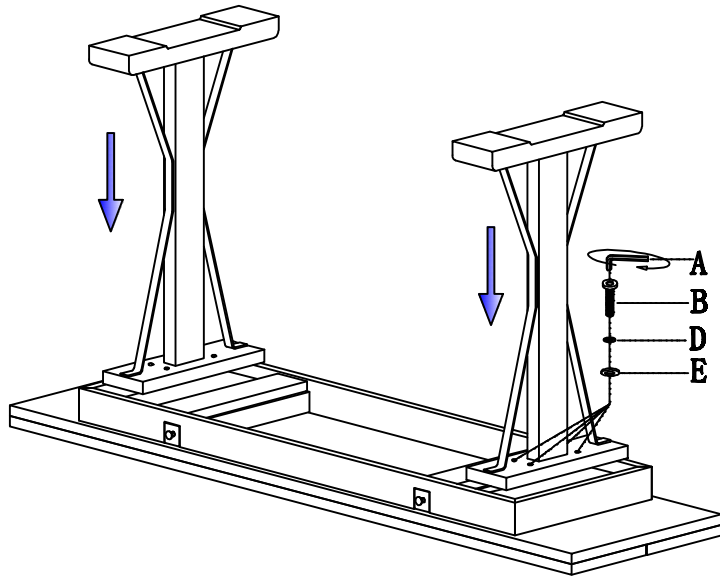


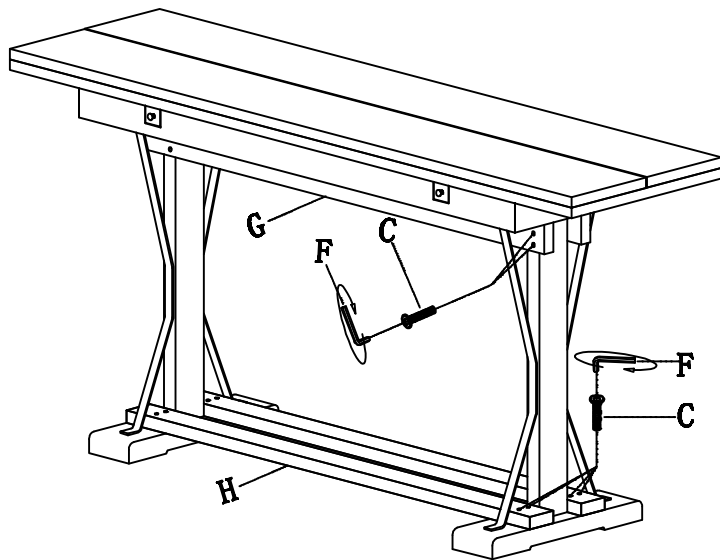
ASSEMBLY INSTRUCTIONS

8113-FT

STEP 1



STEP 2



NO	DRAWING	SIZE	QTY
A		5mm	1
B		5/16" * 2-1/2"	8
C		1/4" * 1-1/2"	16
D		5/16"	8
E		5/16" * 19mm	8
F		4mm	1
G		1094 * 76 * 25mm	2
H		1094 * 63 * 25mm	2

FINAL

