

## Instruction Manual

Thank you for shopping with us!

We appreciate your purchase and are ready to be at your service!

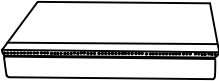
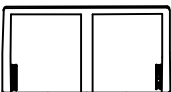
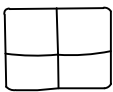
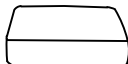
If you find parts missing, broken, or hard to put together or when you are not satisfied or have any valuable suggestions, please do not hesitate to contact us first!

We will definitely give you a satisfactory solution or answer then!

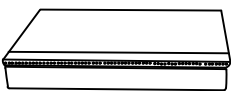
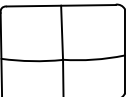
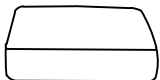
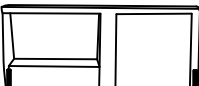

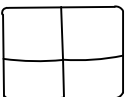



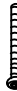


Contact us at our after-sales service email:

# Accessories list



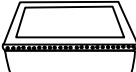
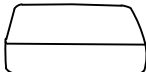
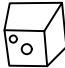



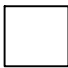
## 2 Seater sofa on the right A

①  Right seat frame(1)	②  Right backrest(1)	③  Right back cushion(2)	④  Seat cushion(2)
--	---	---	---

## 2 Seater sofa on the left B

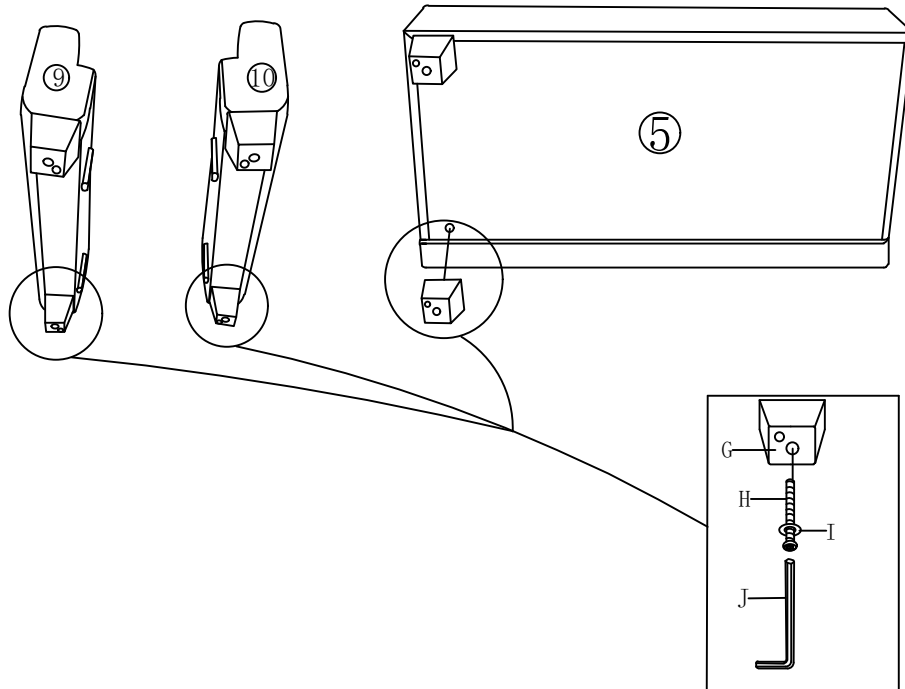
⑤  Left seat frame(1)	⑥  Left back cushion(1)	⑦  Seat cushion(2)	⑧  Left backrest(1)
⑬  Coffee table board(1)	⑭  Left back cushion(1)	A  Hardware(2)	B  6*20 Screw(8)
C  13mmGasket (8)	D  6*50 Screw(1)	E  17mmGasket (1)	F  M4*65*23mm Wrench(1)

## Ottoman carton C

⑨  Right armrest(1)	⑩  Left armrest(1)	⑪  Ottoman seat frame(1)	⑫  Seat cushion(1)	G  8*80mm Leg(10)
H  8*70 Screw(10)	I  17mmGasket (10)	J  M5*100*40mm Wrench(1)	K  60*60mm woolenmat (10)	

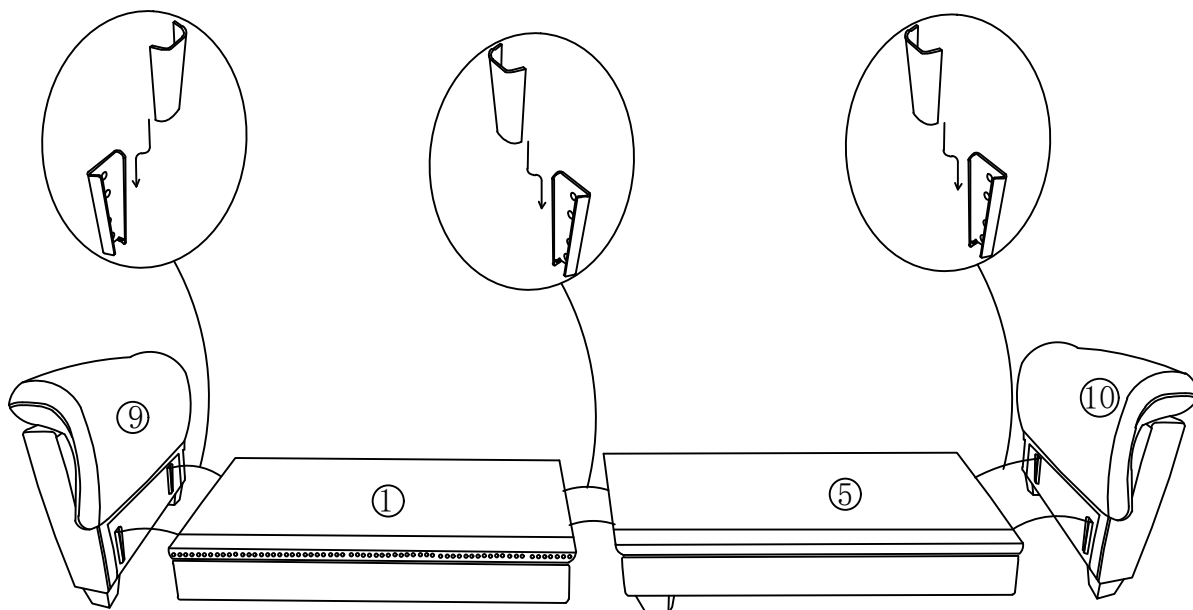
STEP 1:

Install the sofa feet on sofa base part ⑤, left and right armrests



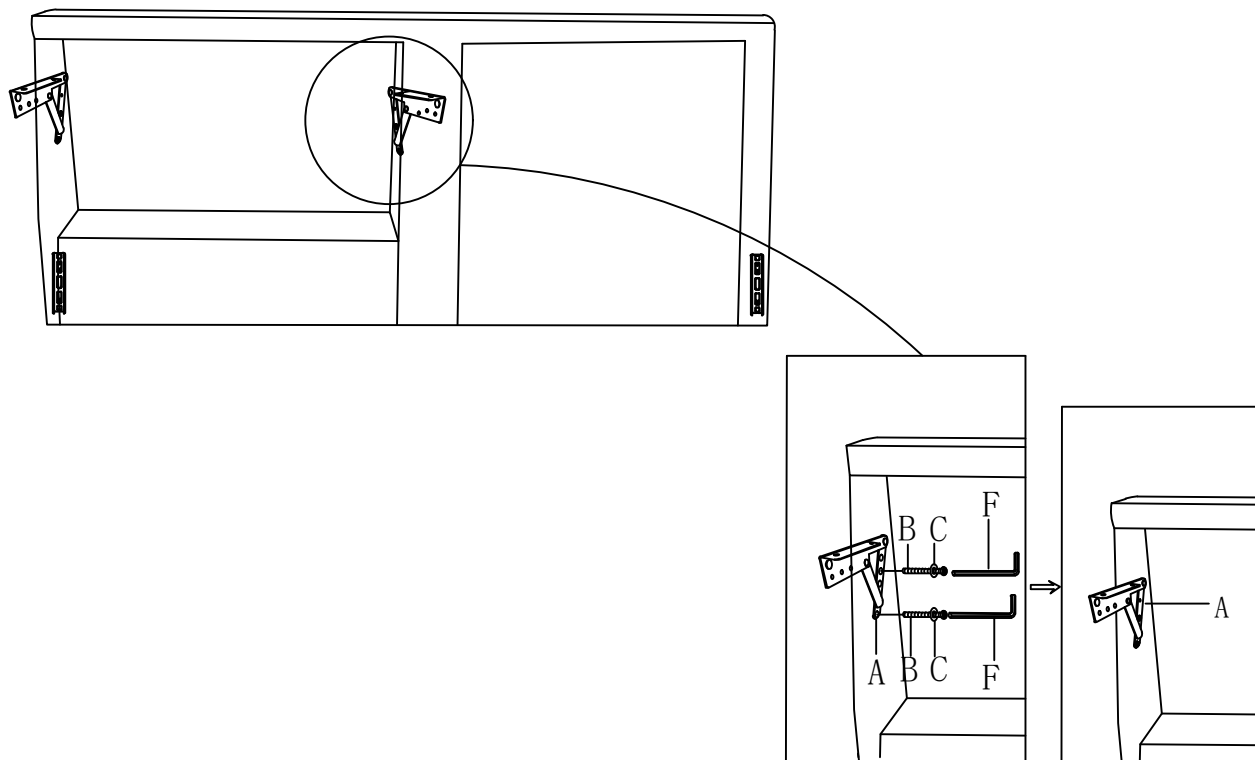
STEP 2:

Insert double seat frame into left and right arm, Insert part ① into part ⑤



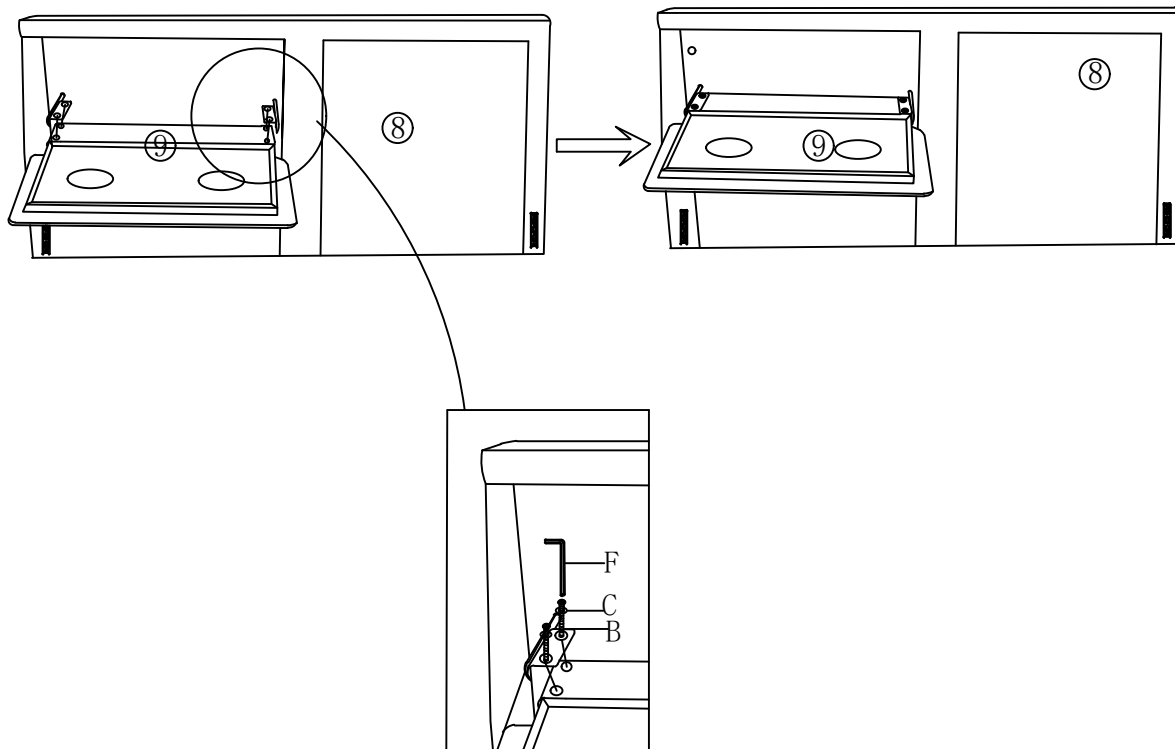
STEP 3:

Install the coffee table hardware onto the backrest frame



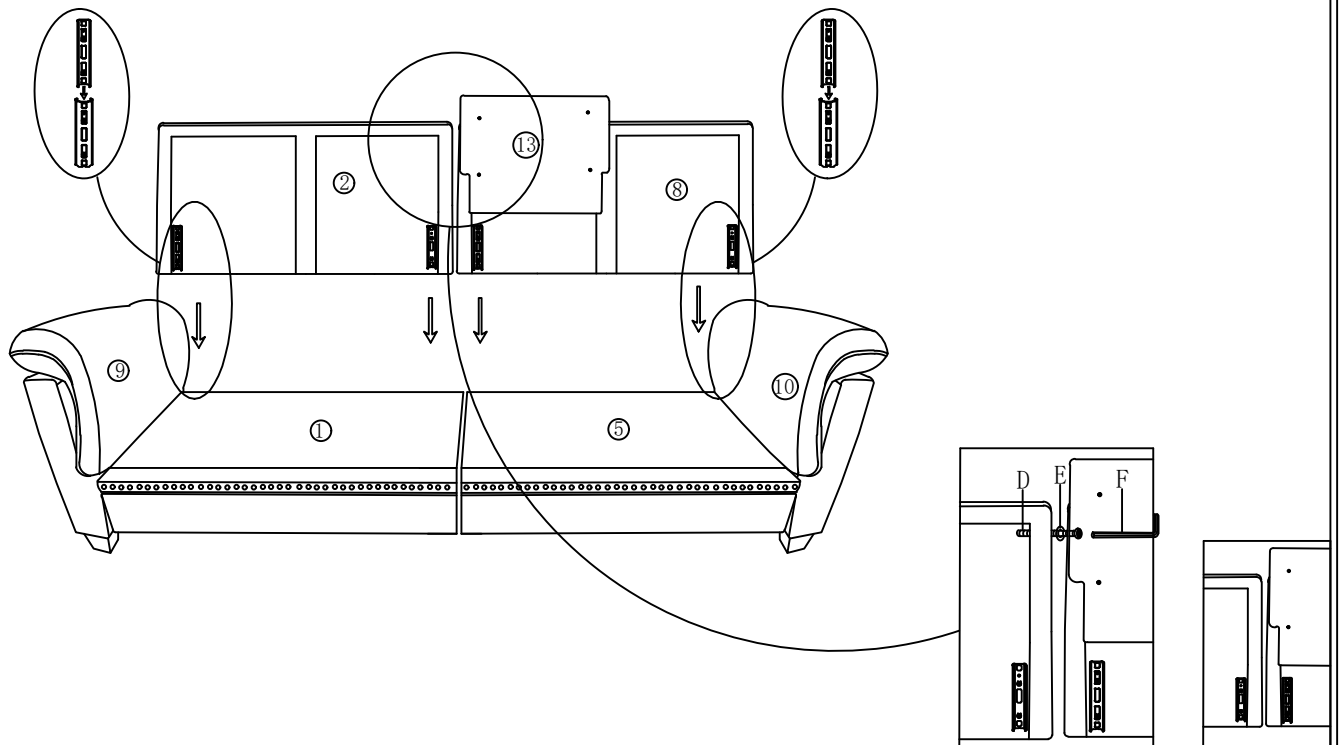
STEP 4:

Install the coffee table onto left backrest



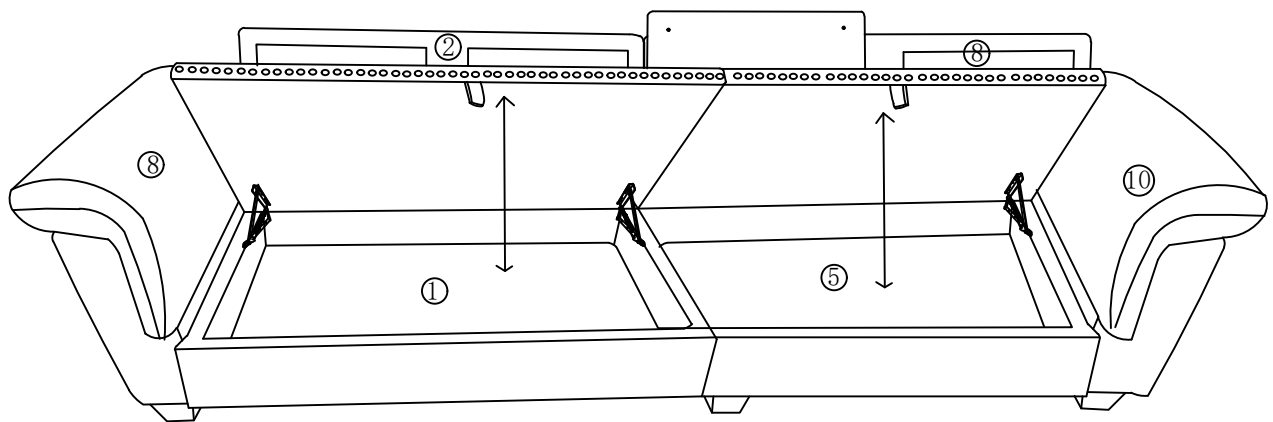
STEP 5:

Insert the backrest into the sofa base and then connect the screws of the backrest

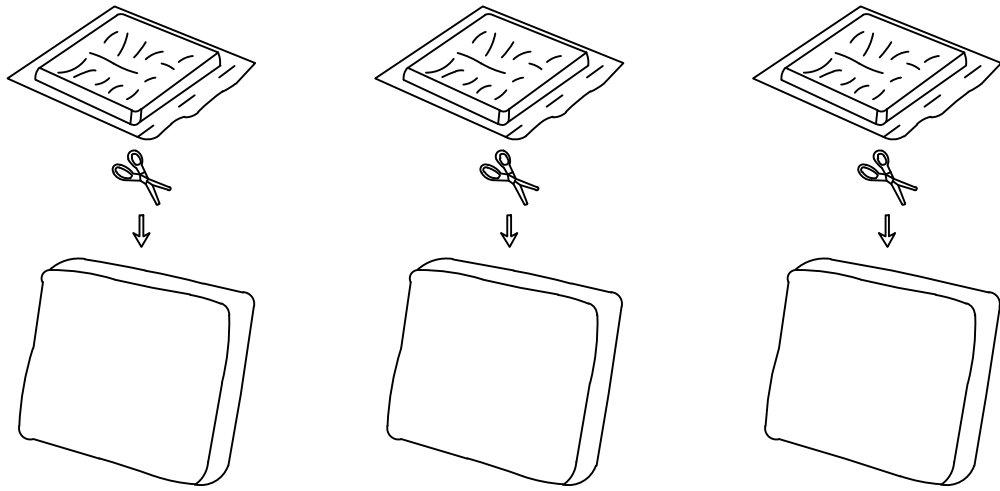


STEP 6:

Sofa seat frame with storage function



STEP 7:  
Cut the compression bags

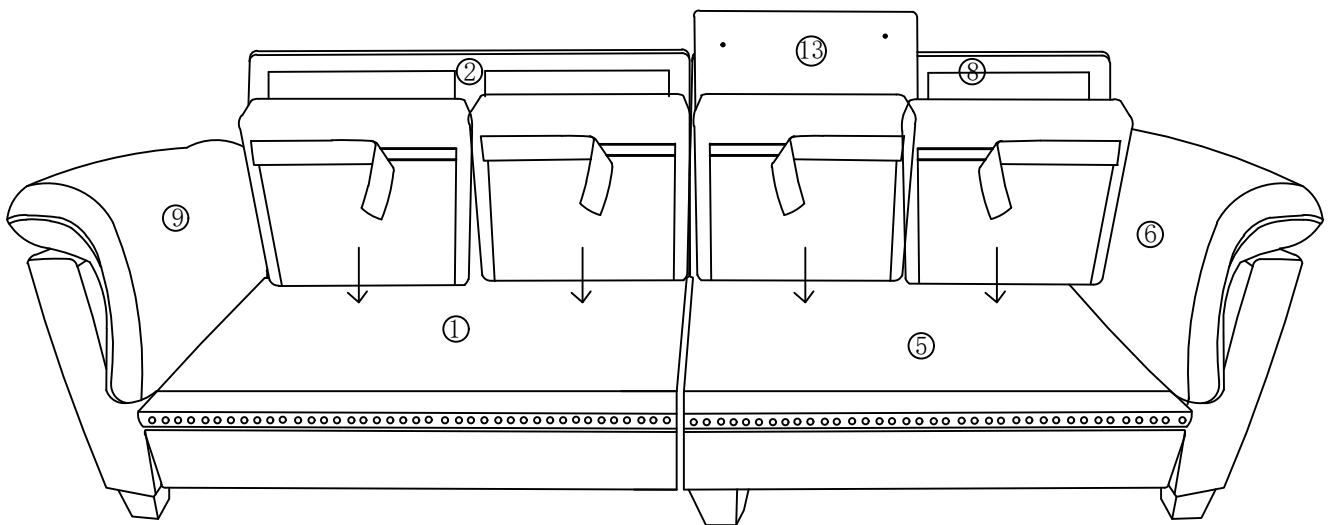


Back cushion

Seat Cushion

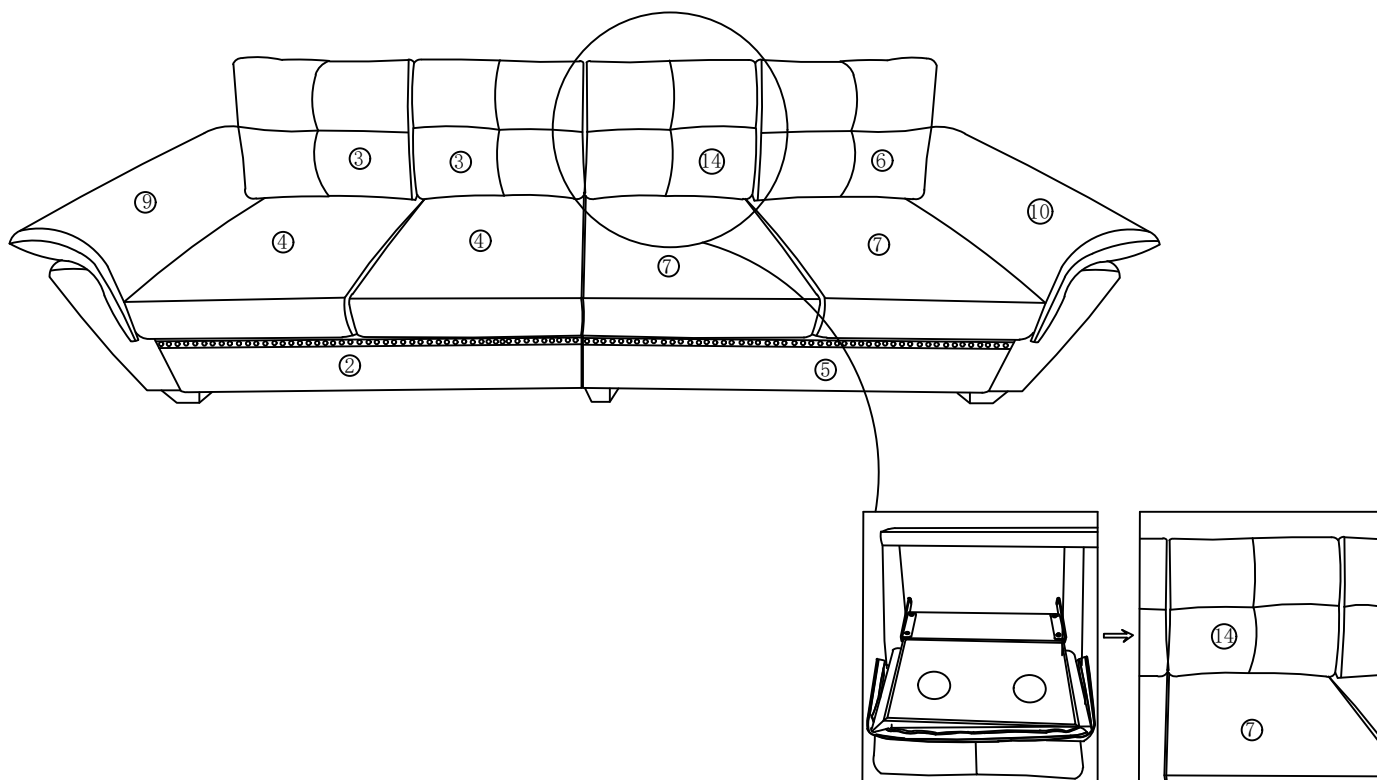
Seat Cushion

STEP 8:  
Fasten the seat cushion to the seat frame



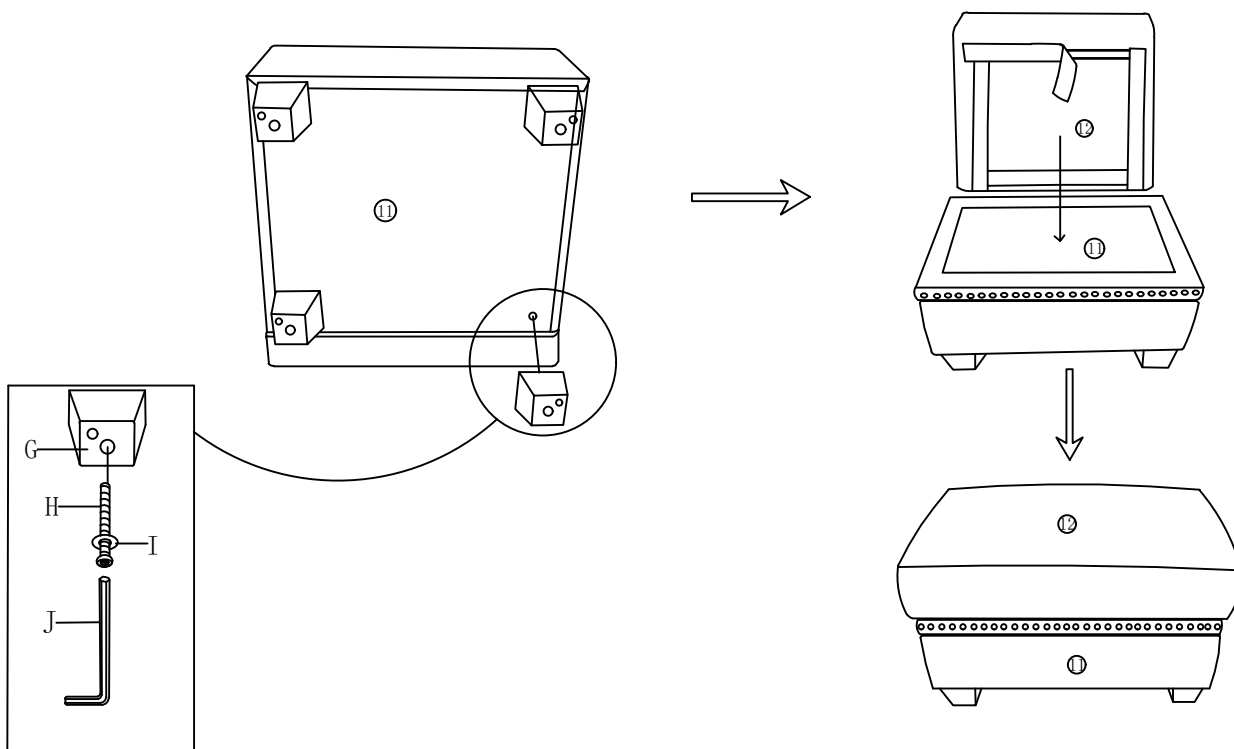
STEP 9:

Put the backrest and cushion on the sofa



STEP 10:

Install the sofa feet and fix the seat cushion



STEP 11:  
The assembly is complete

