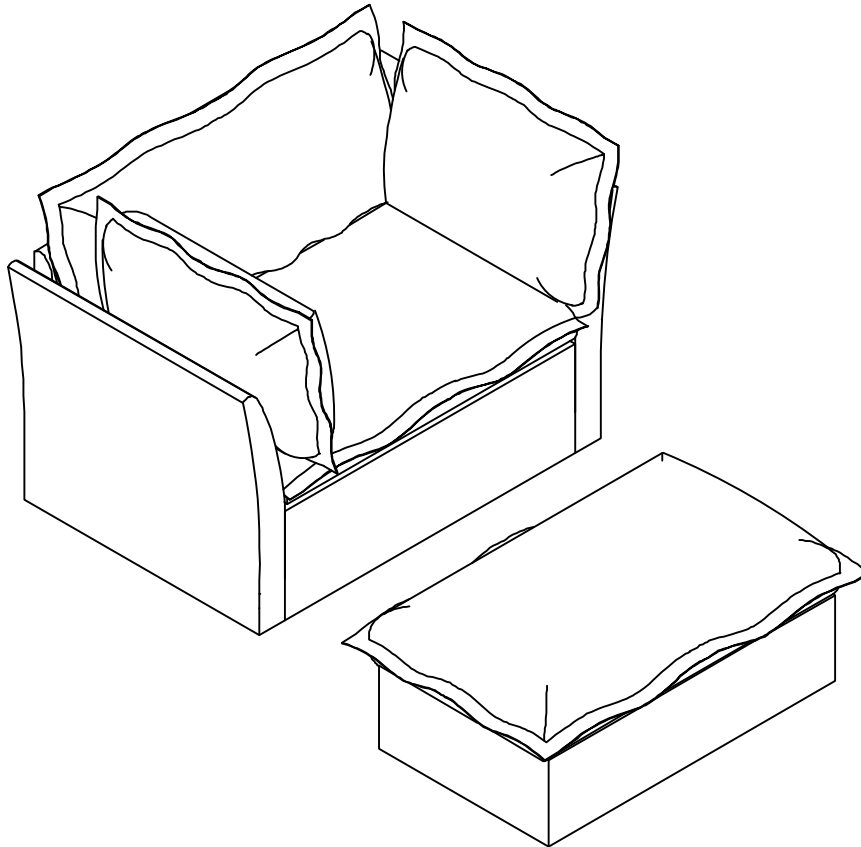


# Assembly Instructions

ITEM# N719P428439



## IMPORTANT NOTE

\*\*Place all parts on a lean and smooth surface such as a rug or carpet to avoid the parts from being scratched.

\*\*Before you begin, please review the assembly instruction step by step.

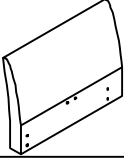
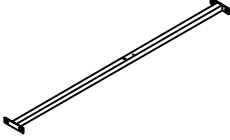
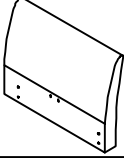

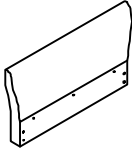
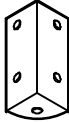
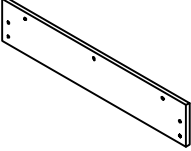
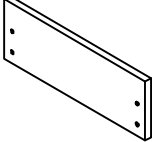
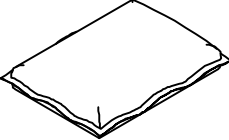
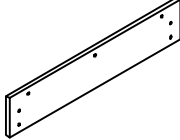
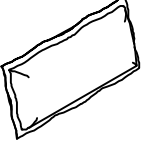
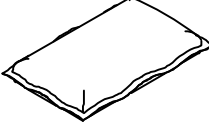
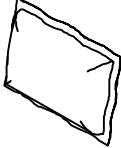
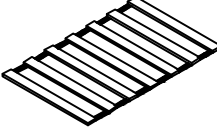
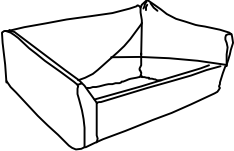
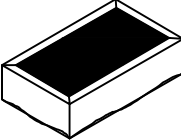
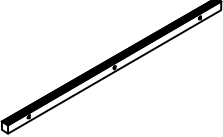
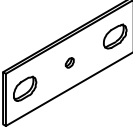
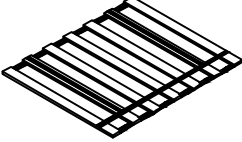
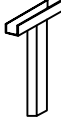
\*\*Return & Warranty Policy:

-We strive to offer the highest quality products. We also provide positive solutions with replacements or refund if needed.

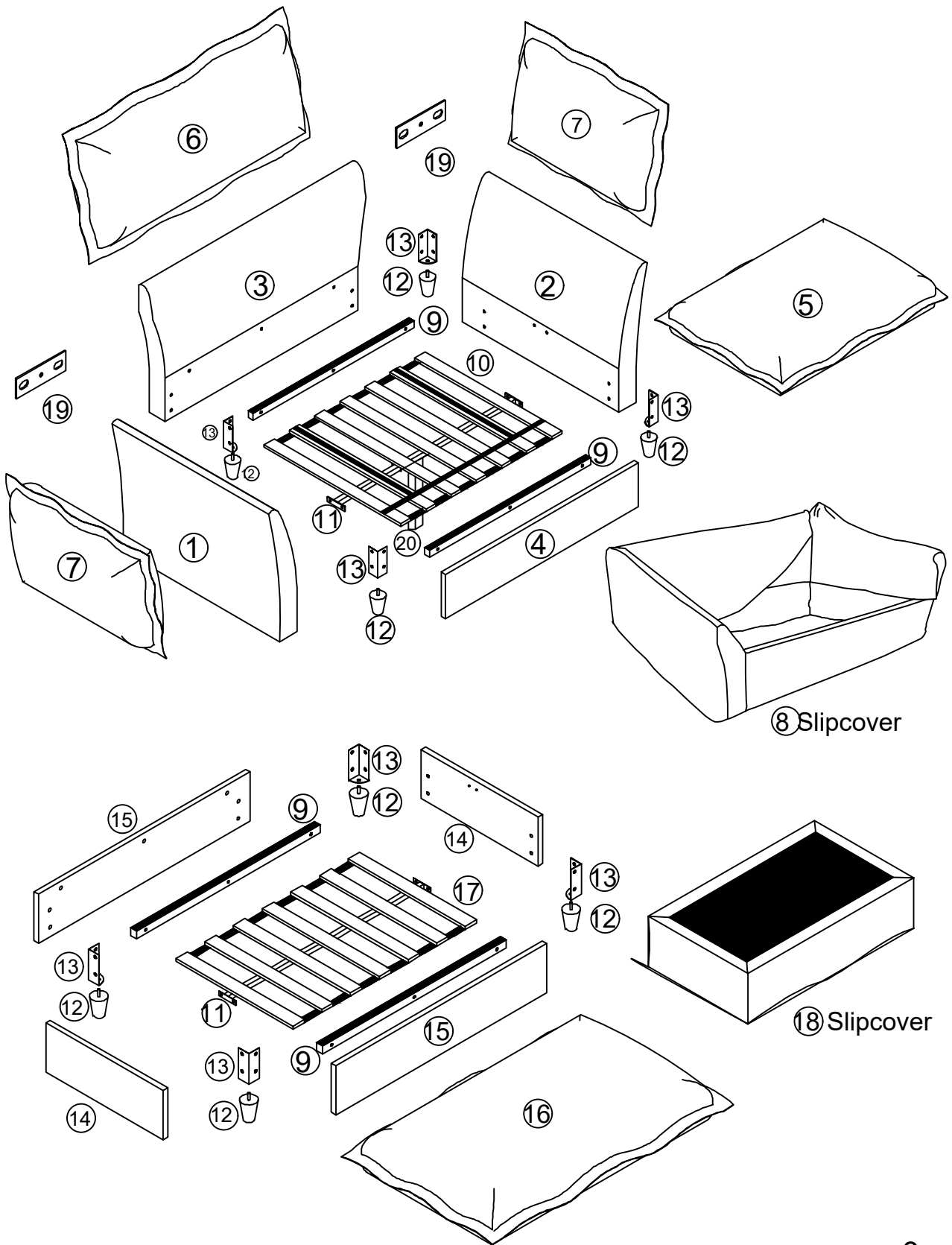
-If the item is damaged or defective, please take photos to show the problem and email to the seller.

-Please do not return back the product before contact the seller.

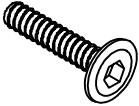
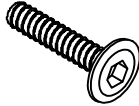
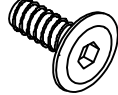
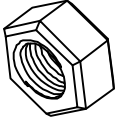
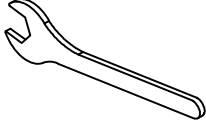
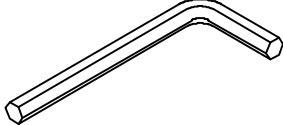
## PART LISTS BOX 1: N719P428439

Part NO.	Part Image	Part Name	QTY	Part NO.	Part Image	Part Name	QTY
①		Left Armrest	1	①		Middle iron support bar	2
②		Right Armrest	1	②		Plastic Foot	8
③		Backrest	1	③		Foot hardware	8
④		Bezel	1	④		Short Side Panel	2
⑤		Sofa Seat Cushion	1	⑤		Long Side Panel	2
⑥		Back Cushion	1	⑥		Ottoman Seat Cushion	1
⑦		Armrest Cushion	2	⑦		Ottoman Batten	1
⑧		Sofa Slipcover	1	⑧		Ottoman Slipcover	1
⑨		Pine Strip	4	⑨		Iron reinforcement plate	2
⑩		Sofa Batten	1	⑩		metal feet	1

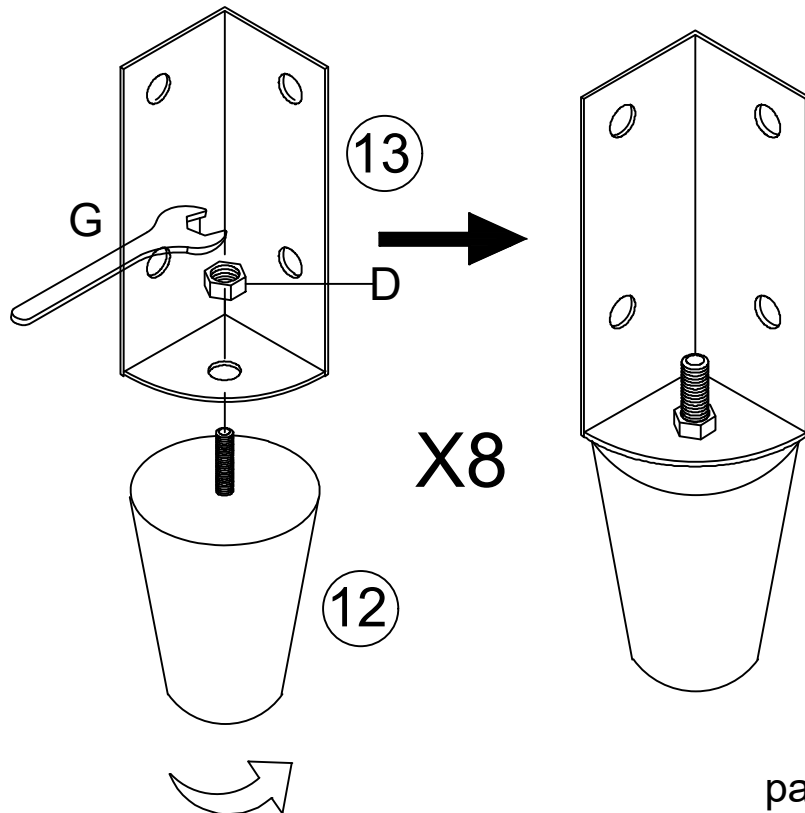
# Sofa Overall Assembly Drawing


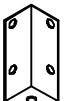




# Hardware List

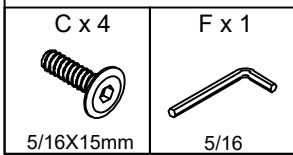
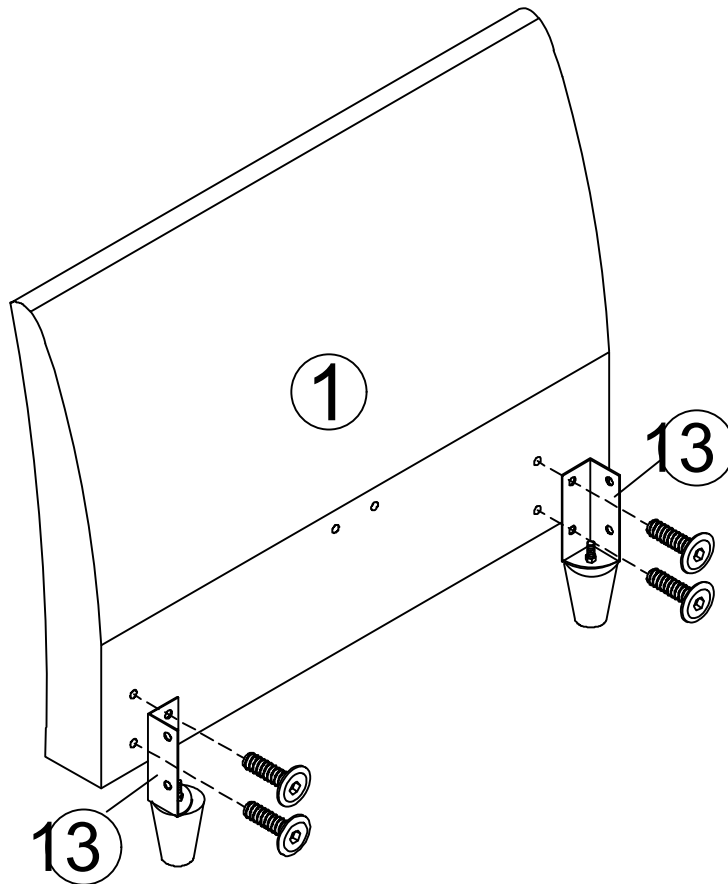
<p>Ax12+1 PCS</p>  <p>5/16X35mm</p>	<p>Bx12+1 PCS</p>  <p>5/16X25mm</p>	<p>Cx20+2 PCS</p>  <p>5/16X15mm</p>
<p>Dx8 Flange Nut</p>  <p>5/16</p>	<p>Gx1 PC</p>  <p>5/16</p>	<p>Fx1 PC</p>  <p>5/16</p>

## STEP 1

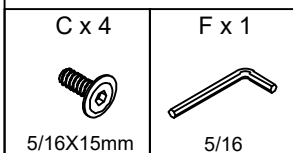
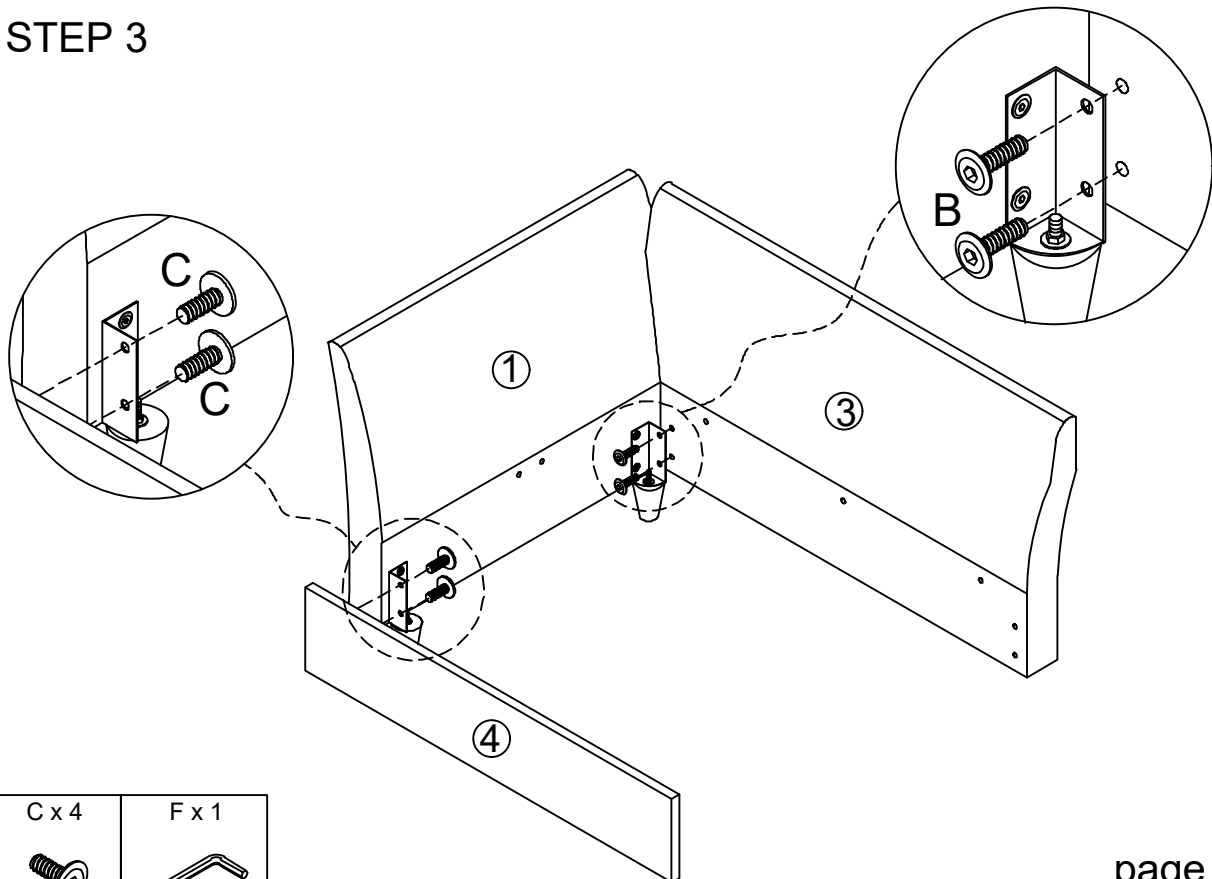


<p>②x8</p> 	<p>③x8</p> 
<p>Dx8 Flange Nut</p>  <p>5/16</p>	<p>Gx1 PC</p>  <p>5/16</p>

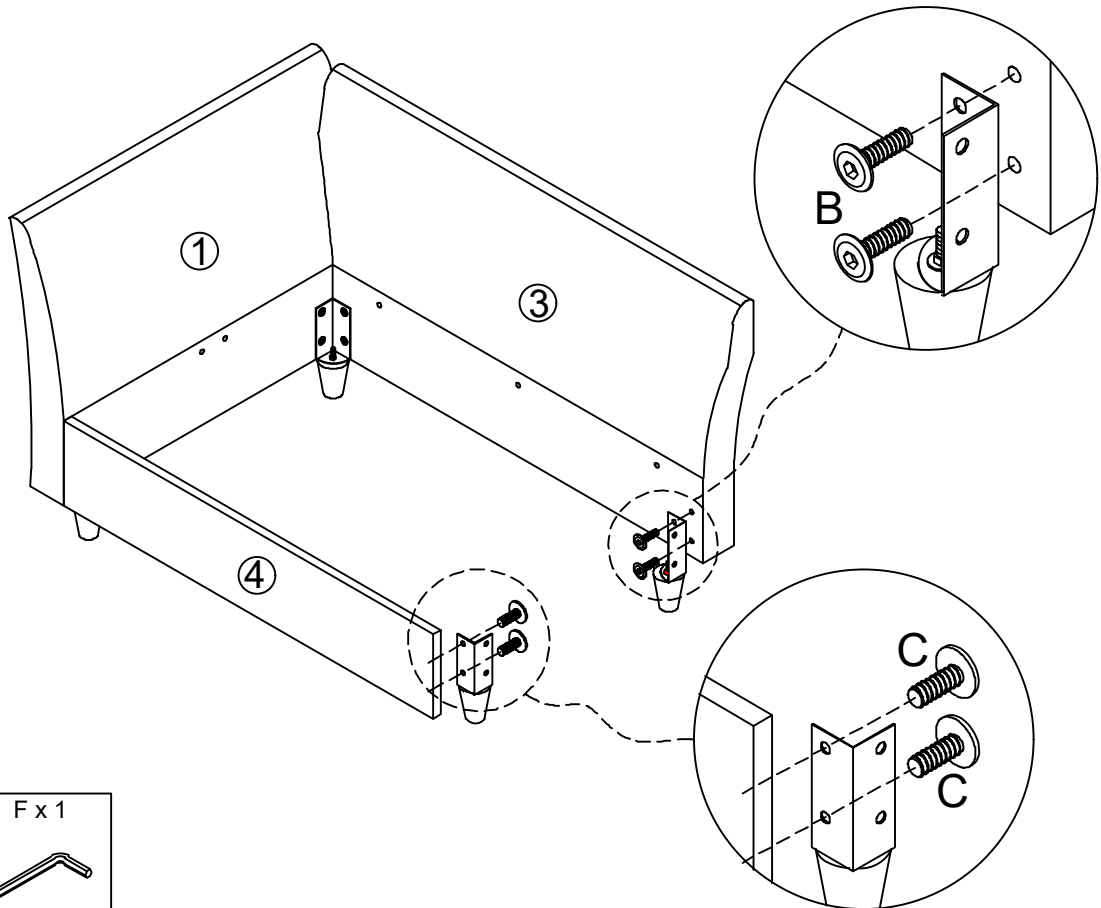
## STEP 2



## STEP 3



# STEP 4



C x 4

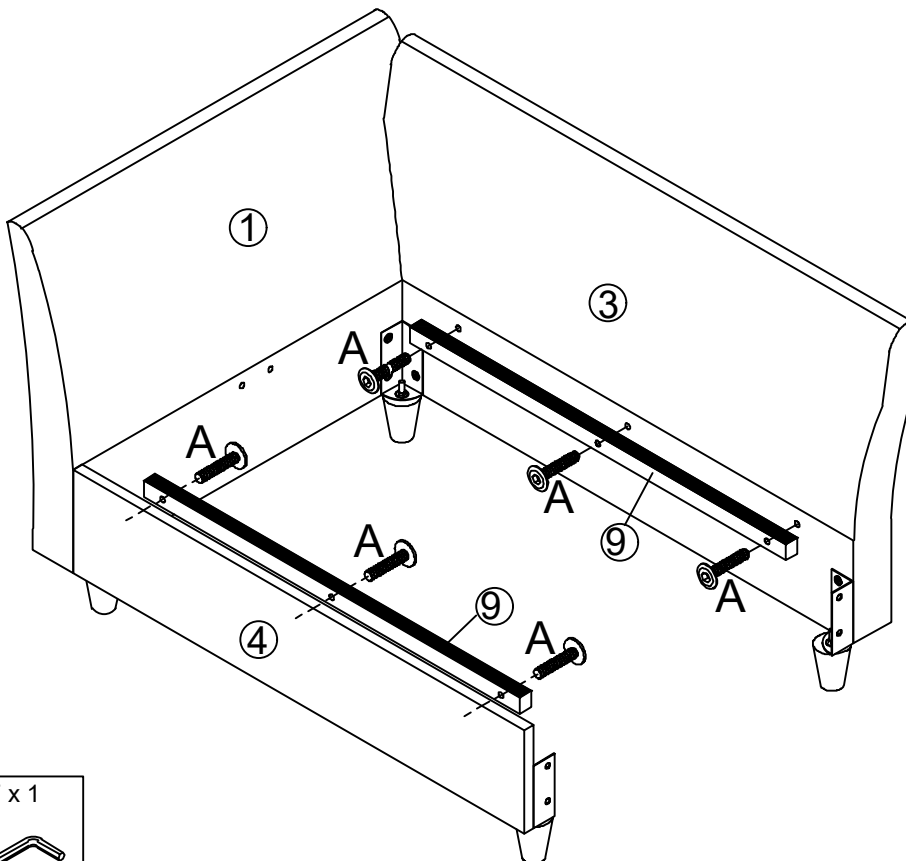
F x 1



5/16X15mm

5/16

# STEP 5



A x 6

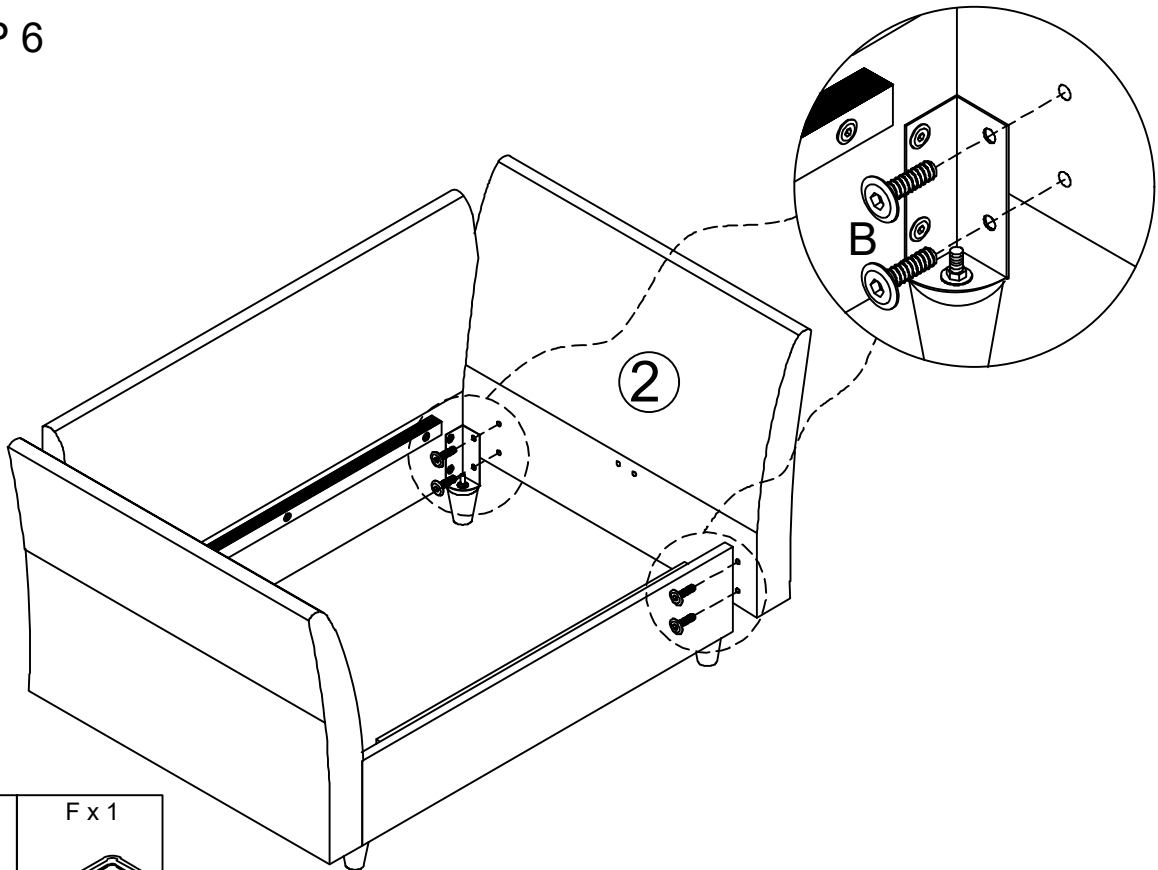
F x 1



5/16X35mm

5/16

## STEP 6



C x 4



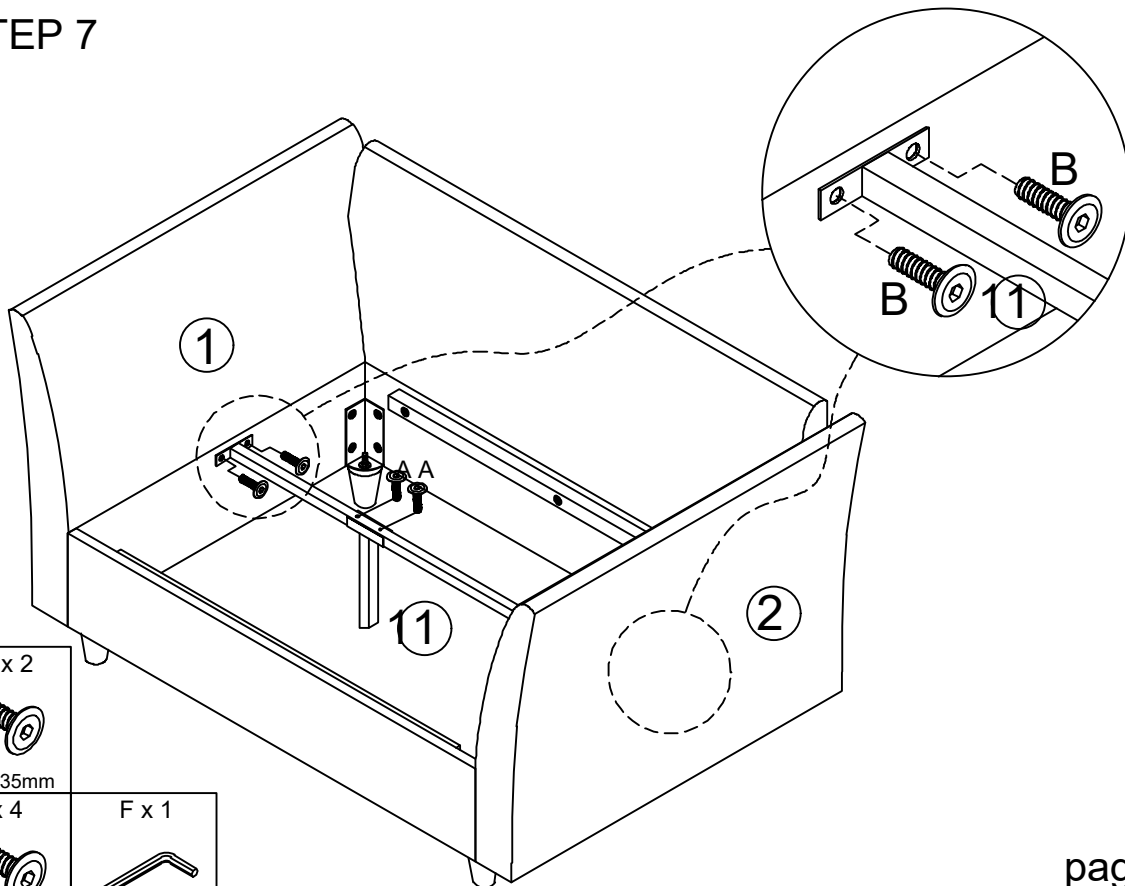
5/16X15mm

F x 1



5/16

## STEP 7



A x 2



5/16X35mm

B x 4



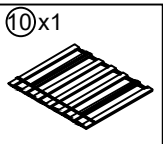
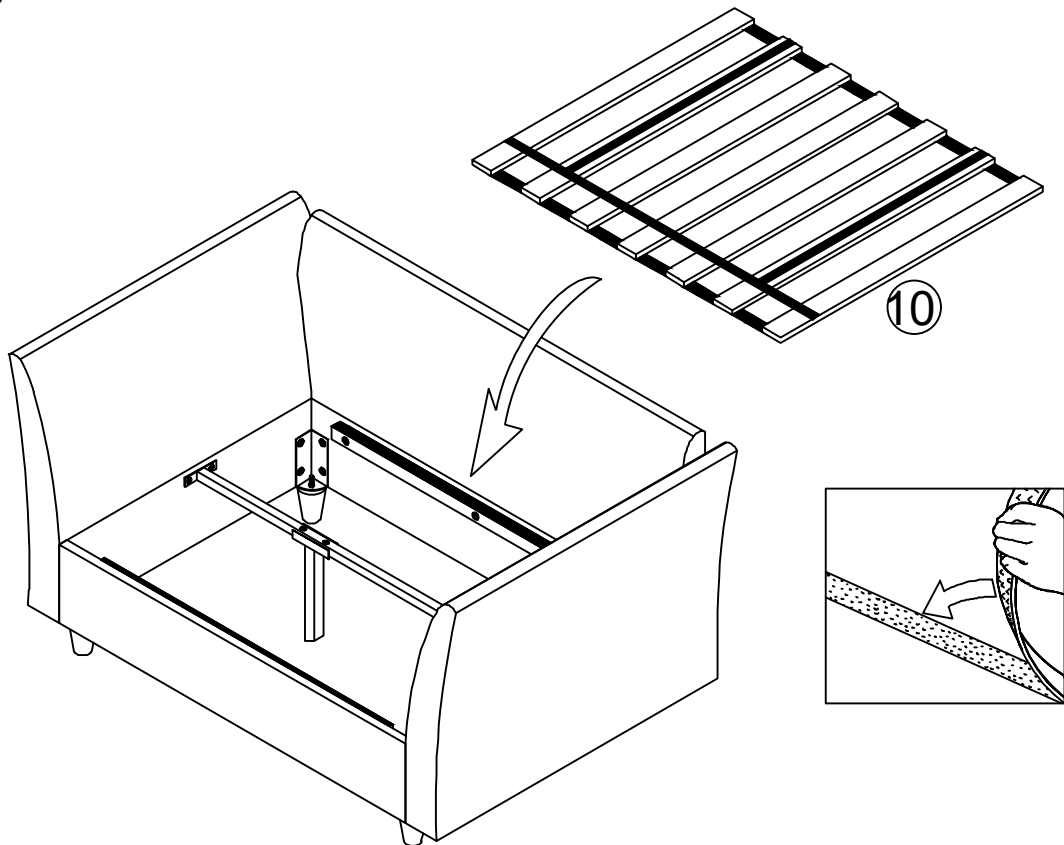
5/16X25mm

F x 1

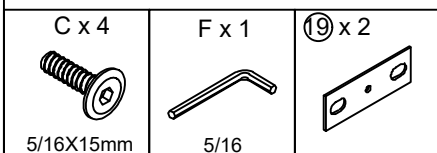
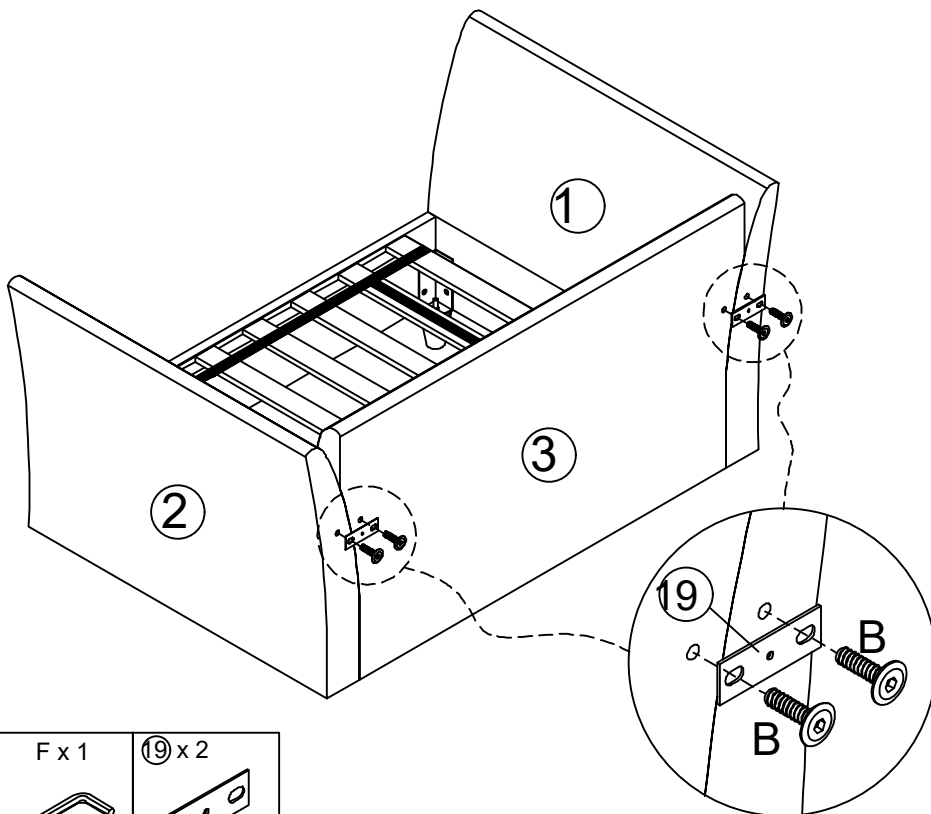


5/16

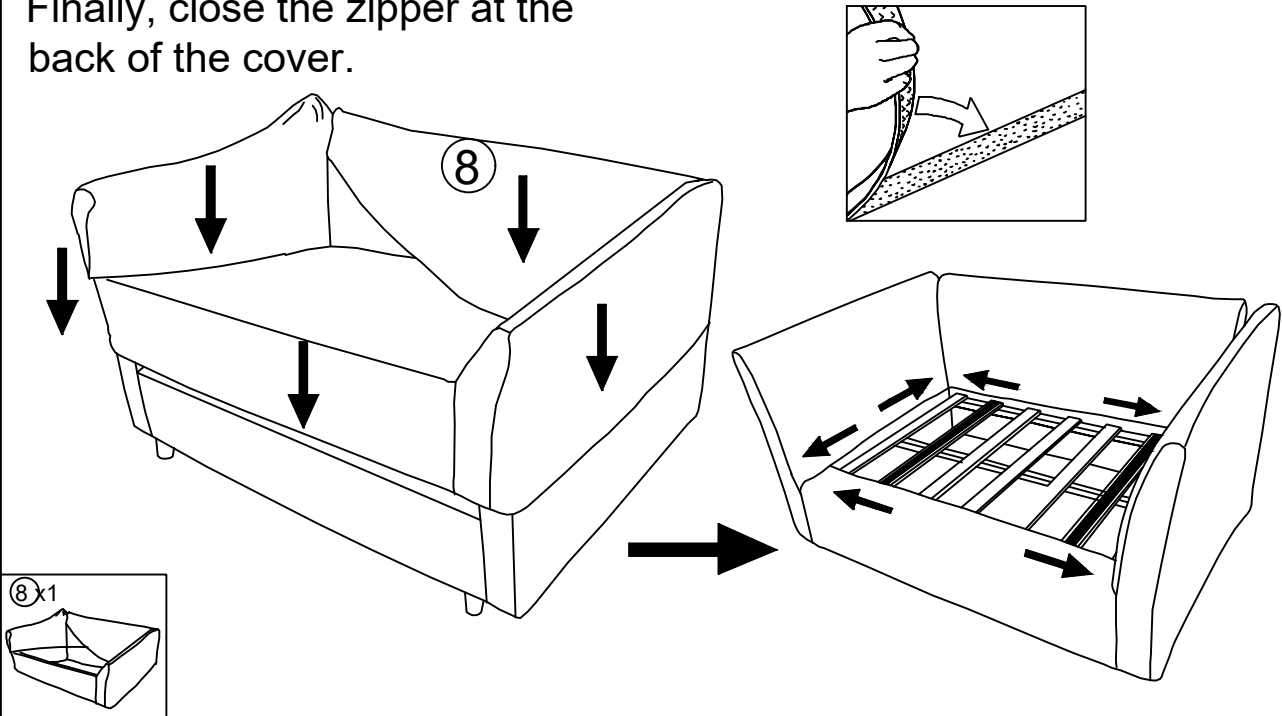
# STEP 8



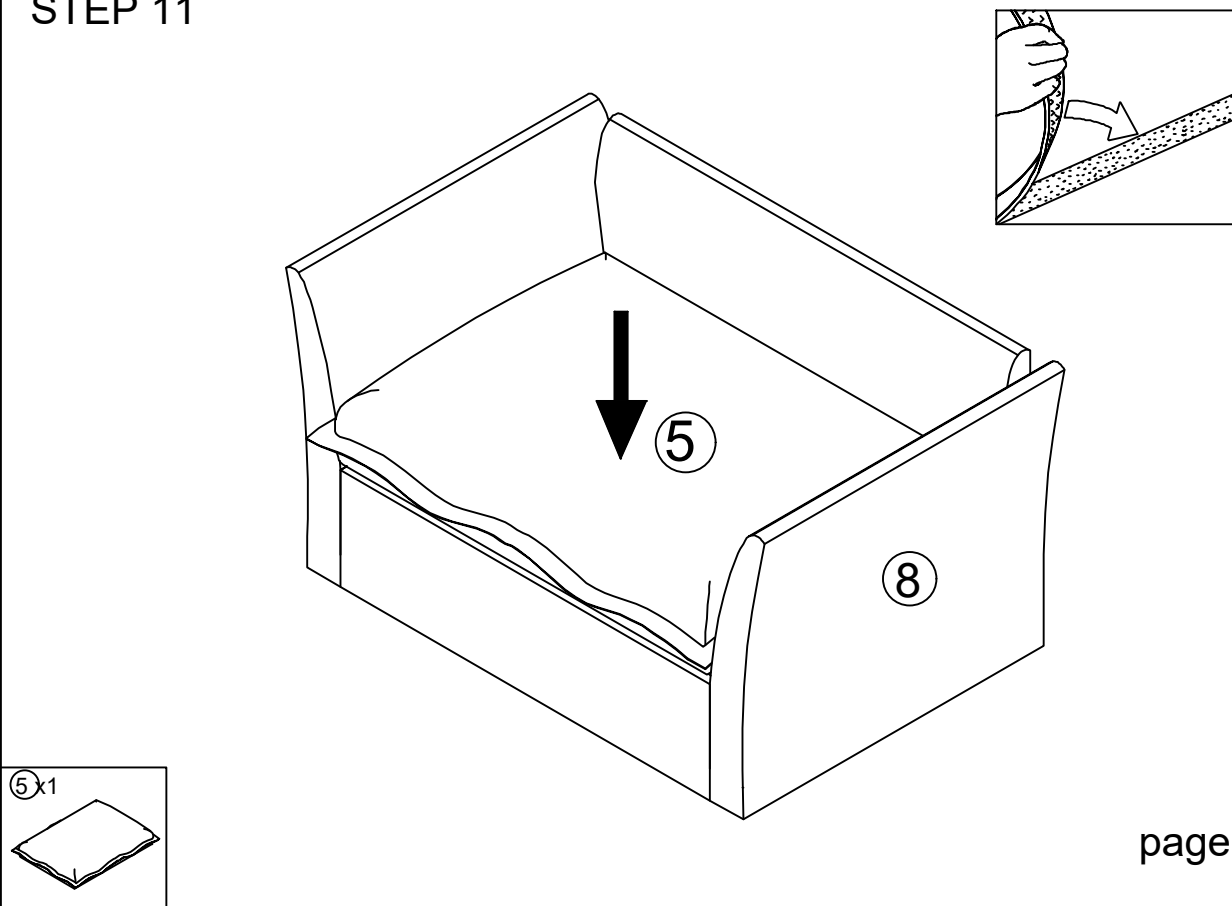
# STEP 9



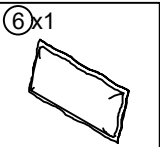
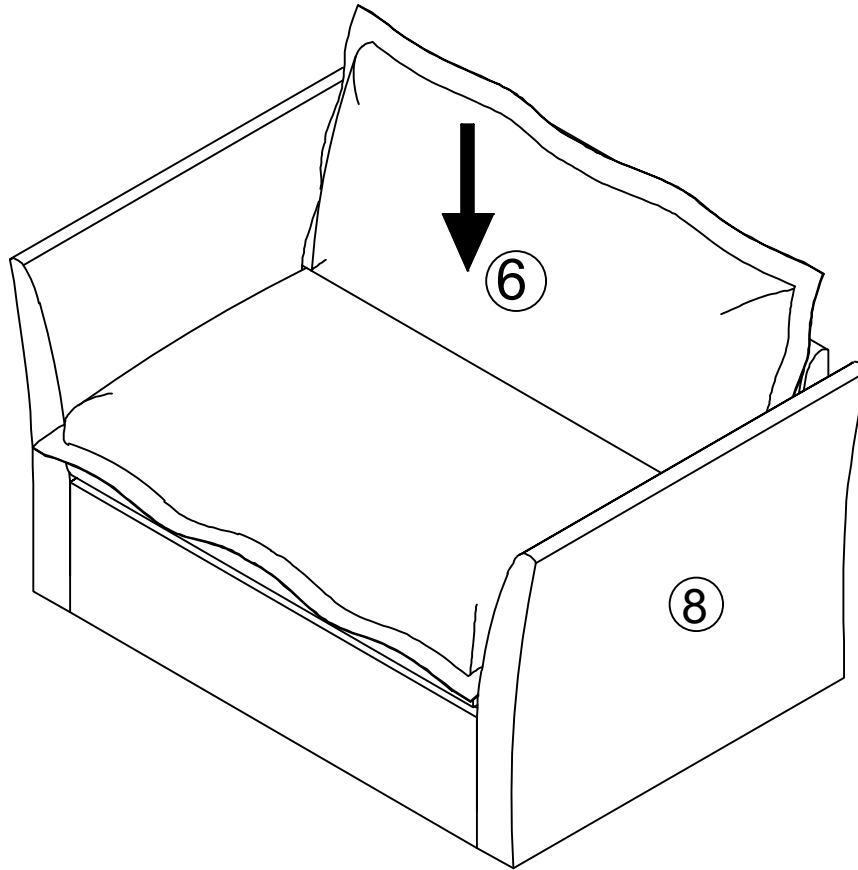
**STEP 10** First, unzip the zipper on the Slipcover(8). Then, slip the cover onto the sofa. Once the cover is positioned smoothly and fits snugly on the sofa, secure it firmly using the Velcro strips attached to the cover. Finally, close the zipper at the back of the cover.



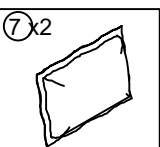
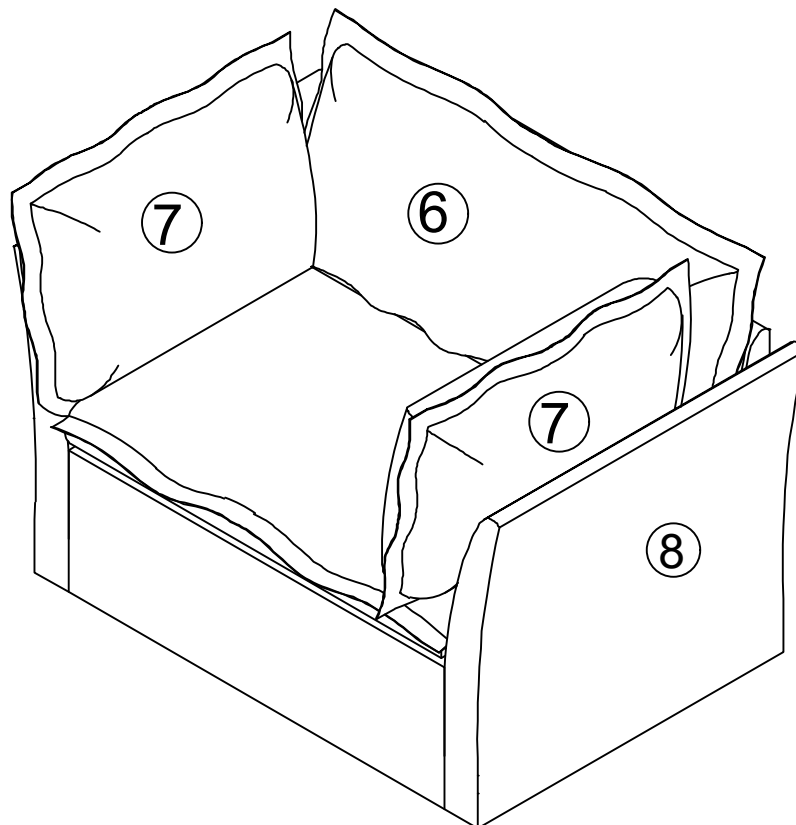
**STEP 11**



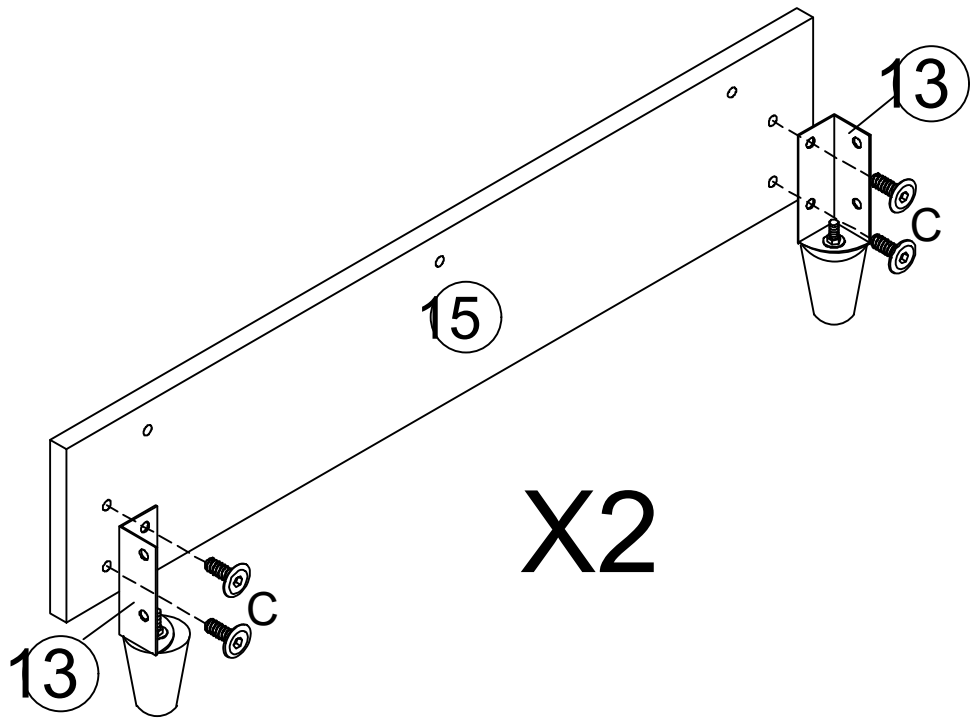
STEP 12





STEP 13

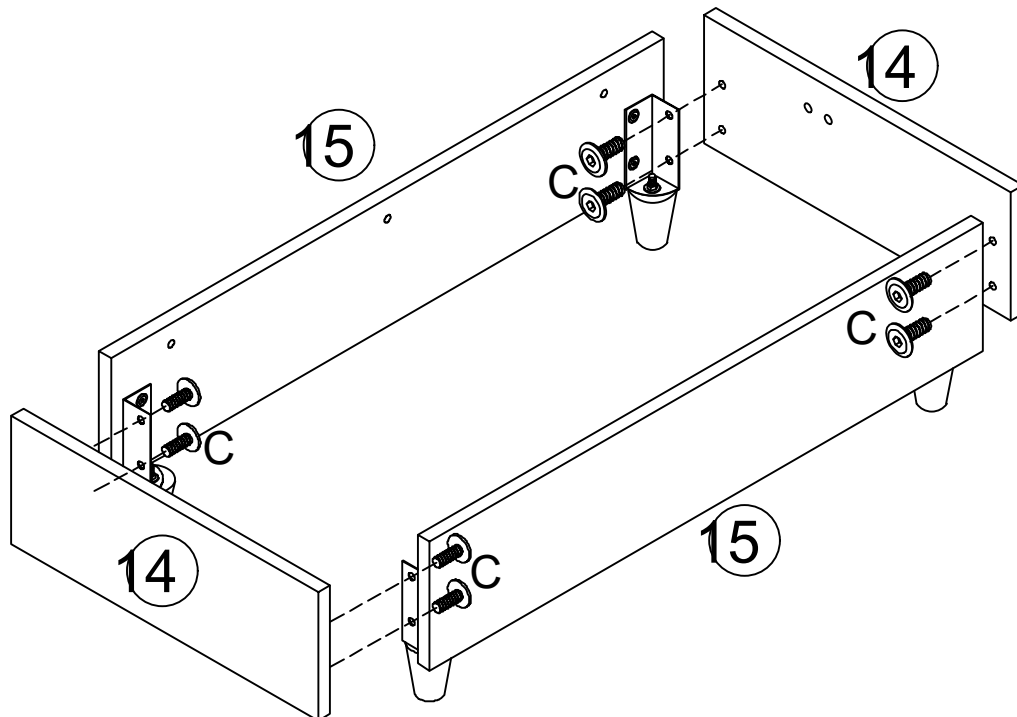




# STEP 14



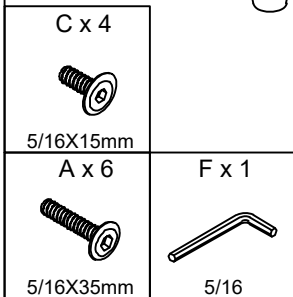
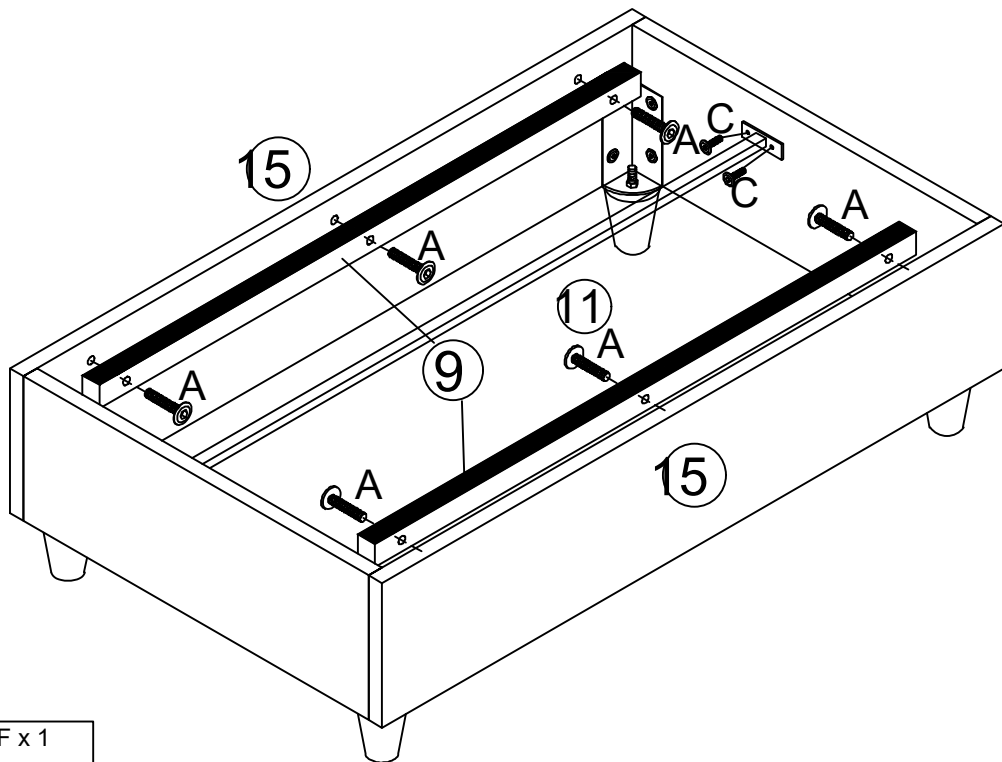
C x 8	F x 1
	
5/16X15mm	5/16

# STEP 15

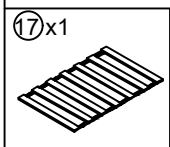
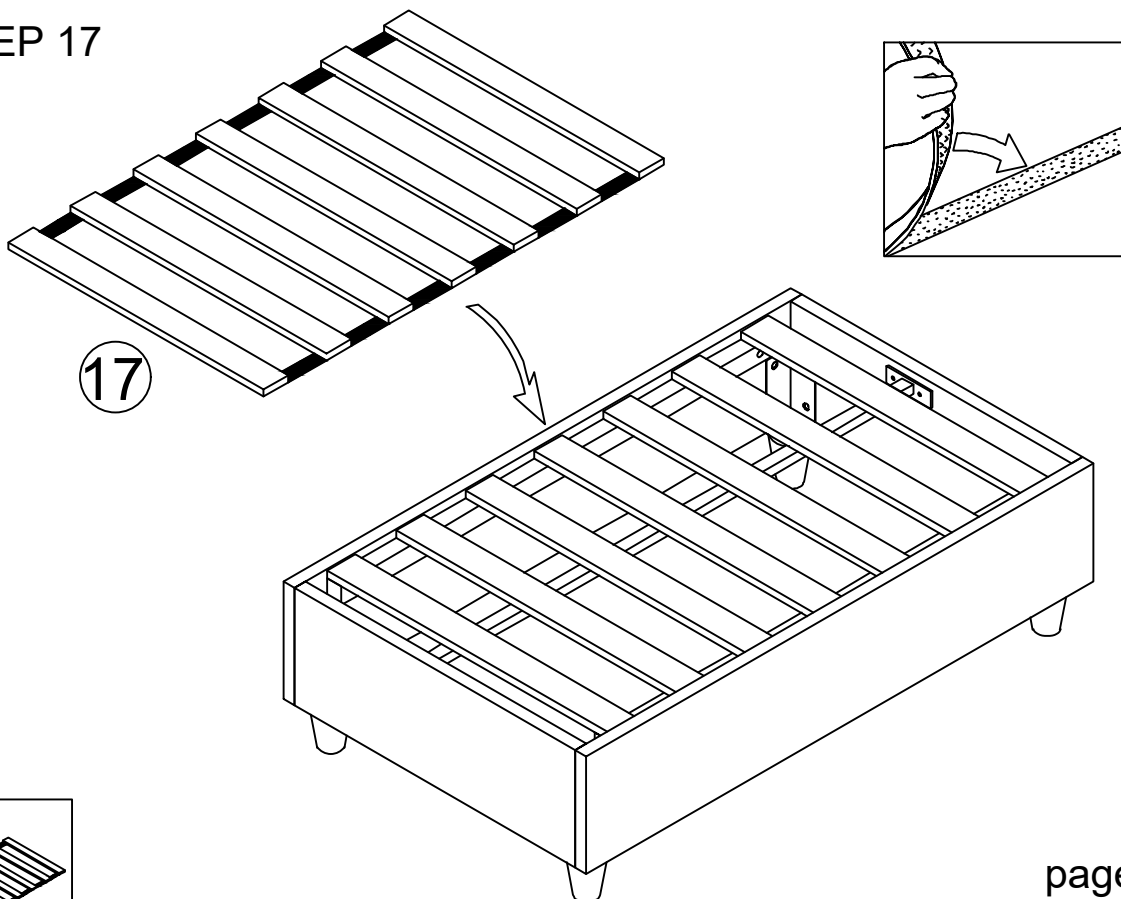


C x 8	F x 1
	
5/16X15mm	5/16

# STEP 16

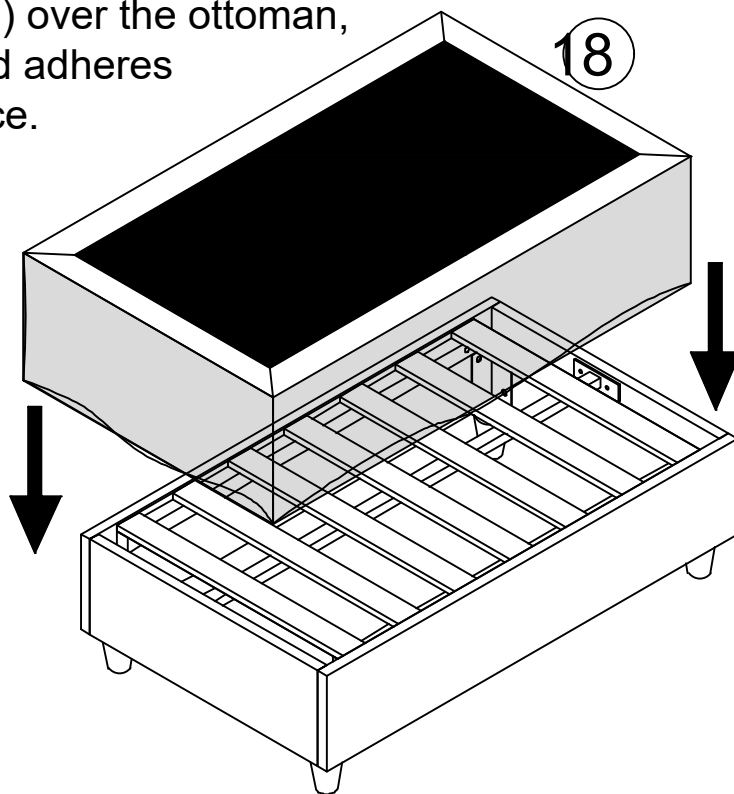


# STEP 17



## STEP 18

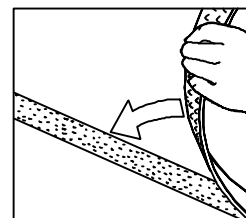
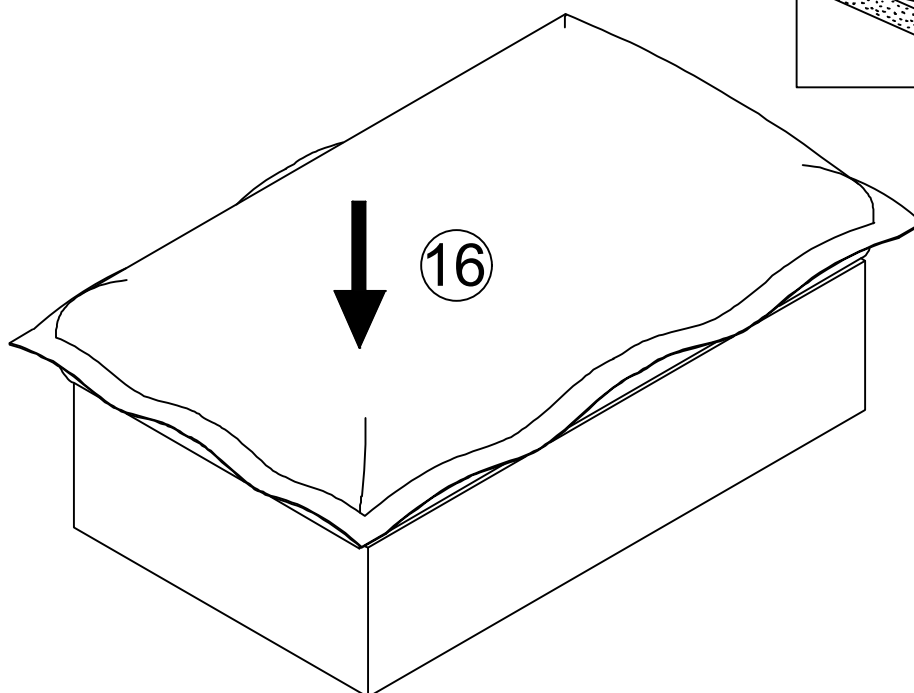
Place the slipcover(18) over the ottoman, ensuring it lies flat and adheres smoothly to the surface.



18x1



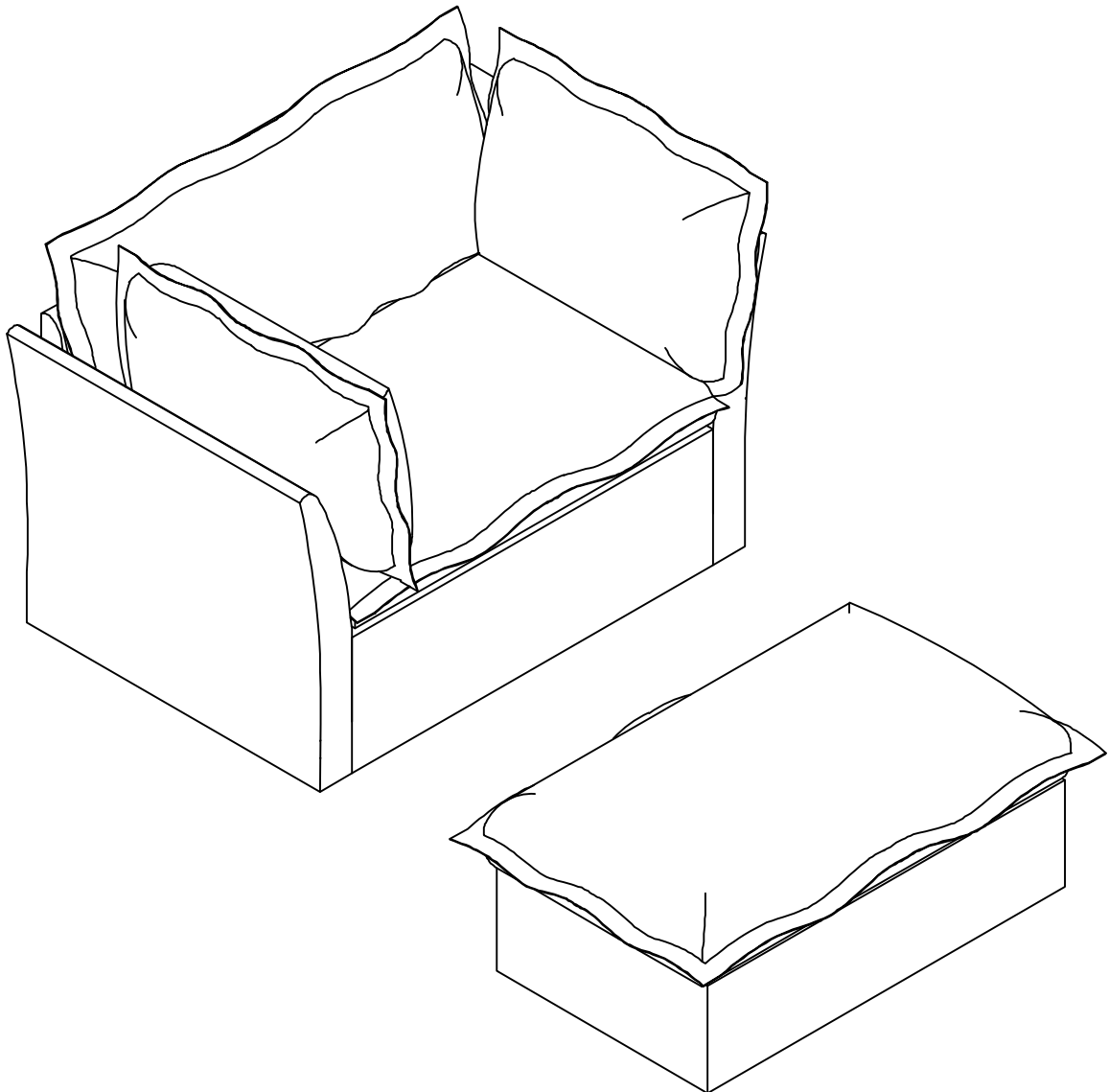
## STEP 19



16x1



Finish



The product has compression parts,  
Please pat them by hand and wait 72 hours,  
the cushions will be recover.