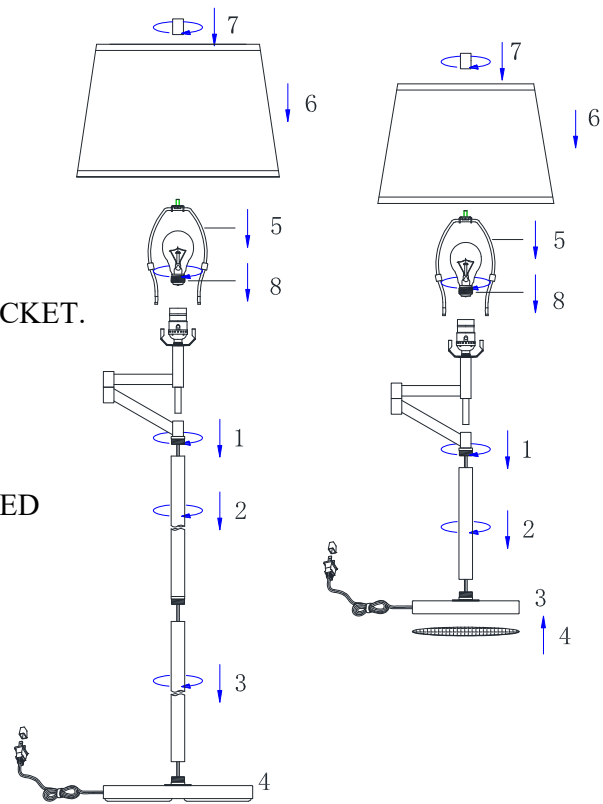


# ASSEMBLY INSTRUCTIONS

CAREFULLY UNPACK AND PLACE ALL PARTS ON A SMOOTH SURFACE.

## FLOOR LAMP:

1. SCREW SWIVEL PART (1) TO POLE (2) AND POLE (2) TO POLE (3), POLE (3) TO BASE (4).
2. INSERT HARP (5) TO THE BRACKET OF THE SOCKET.
3. PUT SHADE (6) ON HARP (5) AND TIGHTEN BY FINIAL (7).
4. INSTALL RECOMMENDED BULB (NOT INCLUDED IN THIS PACKING) (8).



## TABLE LAMP:

1. SCREW SWIVEL PART (1) TO POLE (2) AND POLE (2) TO BASE (3).
2. PLACE THE FELT PAD TO COVER THE BOTTOM OF THE BASE (4).
3. INSERT HARP (5) TO THE BRACKET OF THE SOCKET.
4. PUT SHADE (6) ON HARP (5) AND TIGHTEN BY FINIAL (7).
5. INSTALL RECOMMENDED BULB (NOT INCLUDED IN THIS PACKING) (8).

**Use Max 100W\*3 type A bulb  
(bulb not included)**

INSERT PLUG INTO AN OUTLET AND ENJOY YOUR LAMP!!

THIS PORTABLE LAMP HAS A POLARIZED PLUG (ONE BLADE IS WIDER THAN THE OTHER) AS A SAFETY FEATURE TO REDUCE THE RISK OF ELECTRIC SHOCK. THIS PLUG WILL FIT IN A POLARIZED OUTLET ONLY ONE WAY. IF IT DOES NOT FIT FULLY IN THE OUTLET, REVERSE THE PLUG. IF IT STILL DOES NOT FIT, CONTACT A QUALIFIED ELECTRICIAN. NEVER USE WITH AN EXTENSION CORD UNLESS THE PLUG CAN BE FULLY AND EASILY INSERTED. DO NOT ATTEMPT TO ALTER THE PLUG.

**SAVE THESE INSTRUCTIONS FOR FUTURE REFERENCE.**