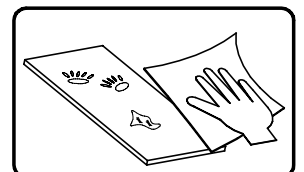
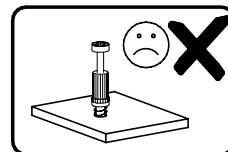
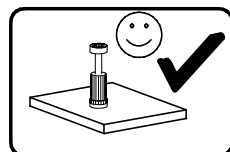
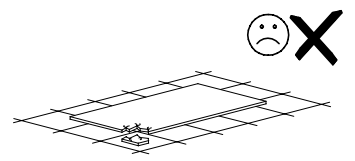
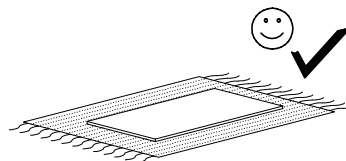
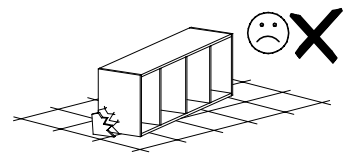
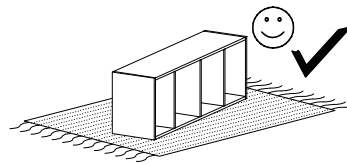
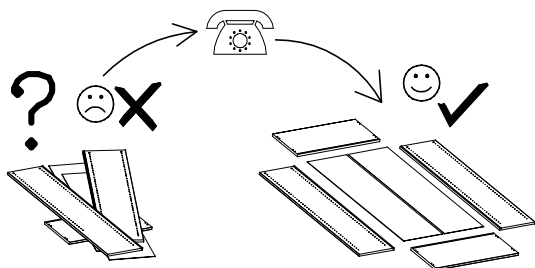
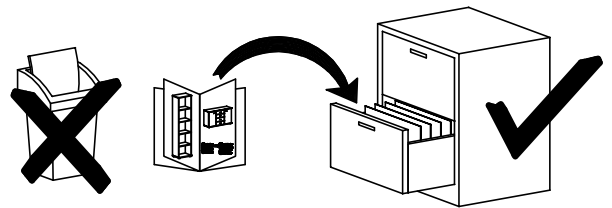
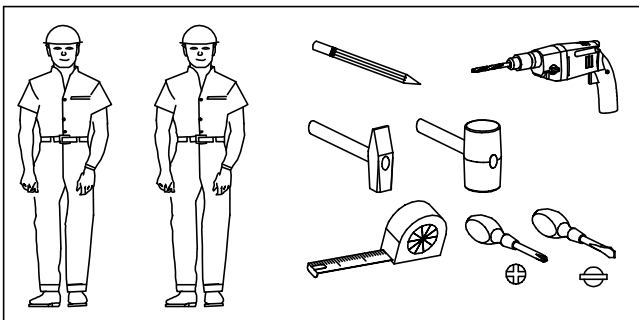
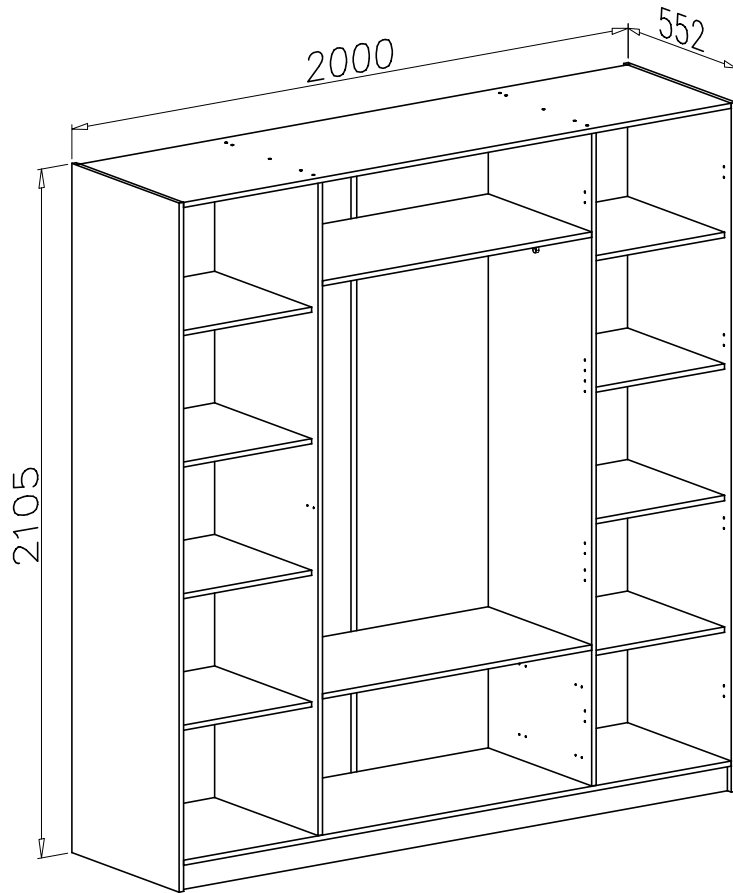
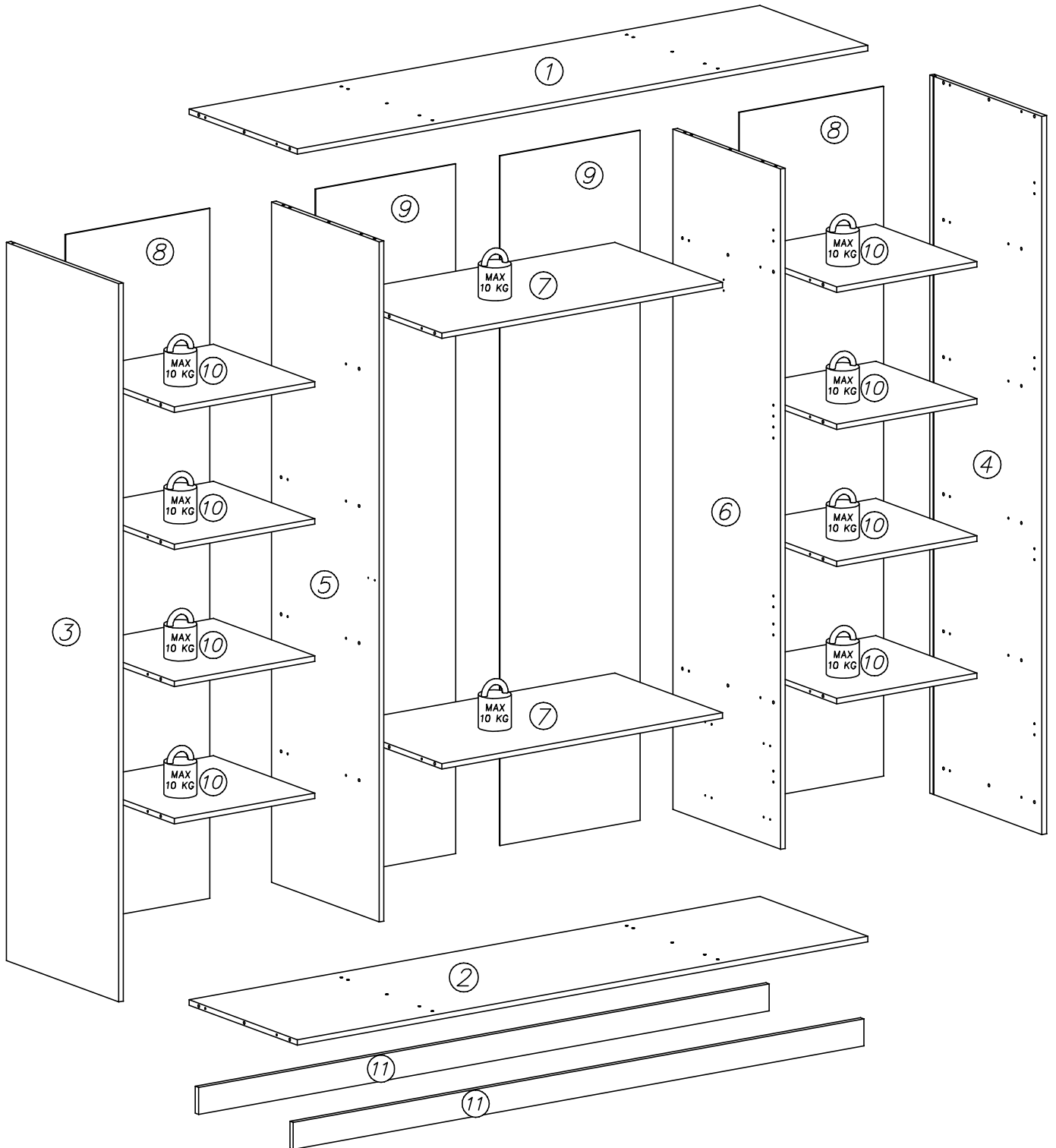
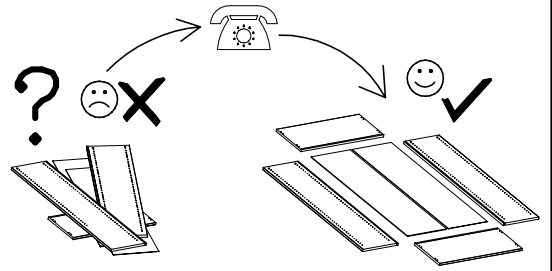
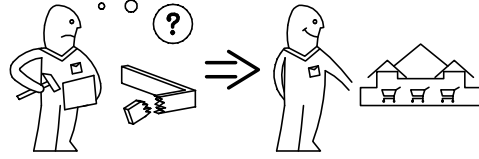
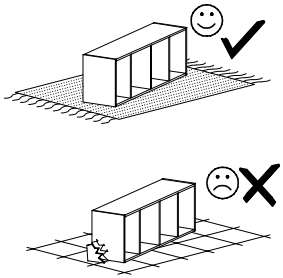
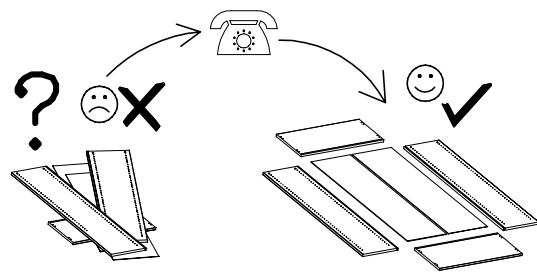
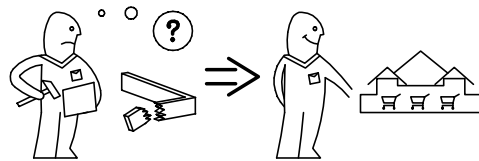
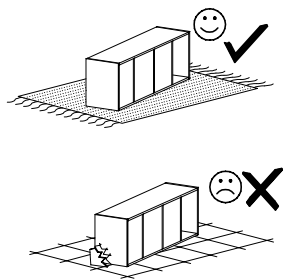


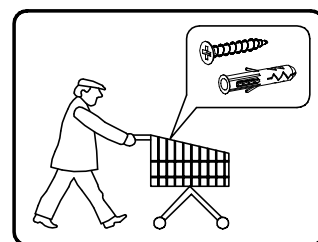
Installation & Assembly



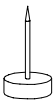
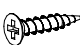
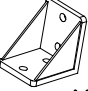
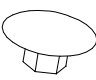
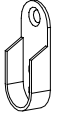


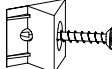


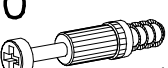

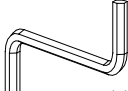
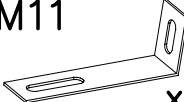



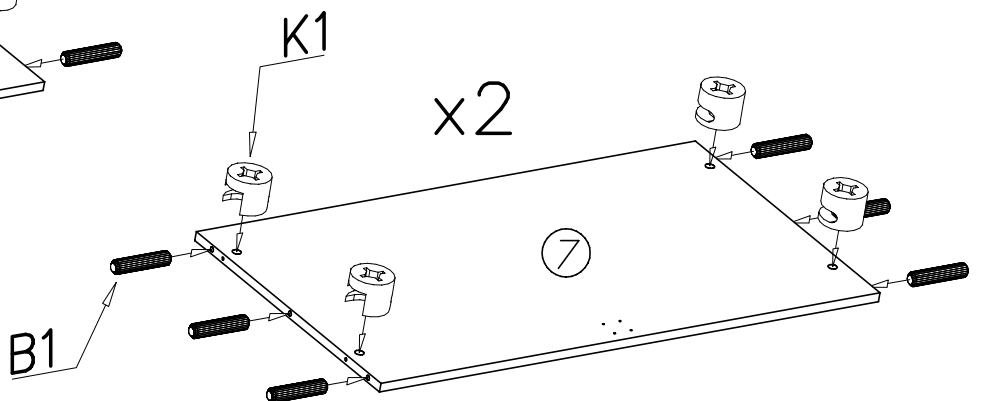
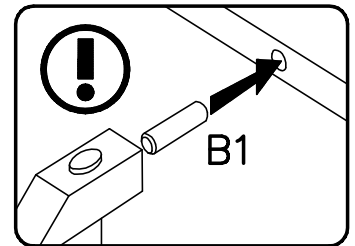
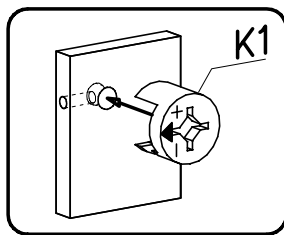
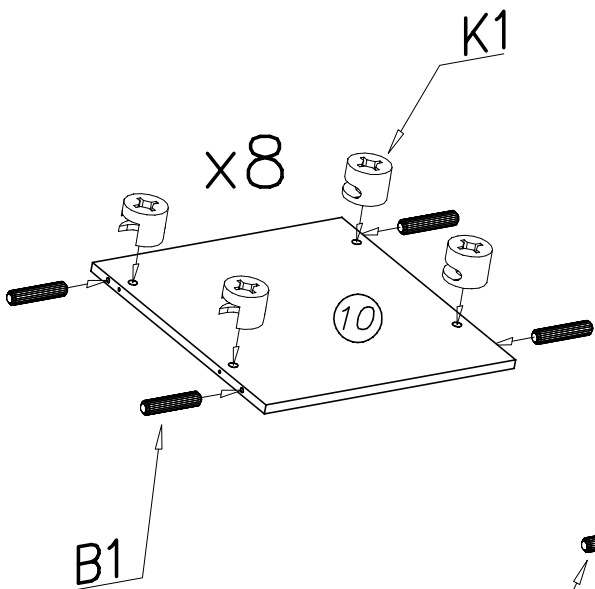
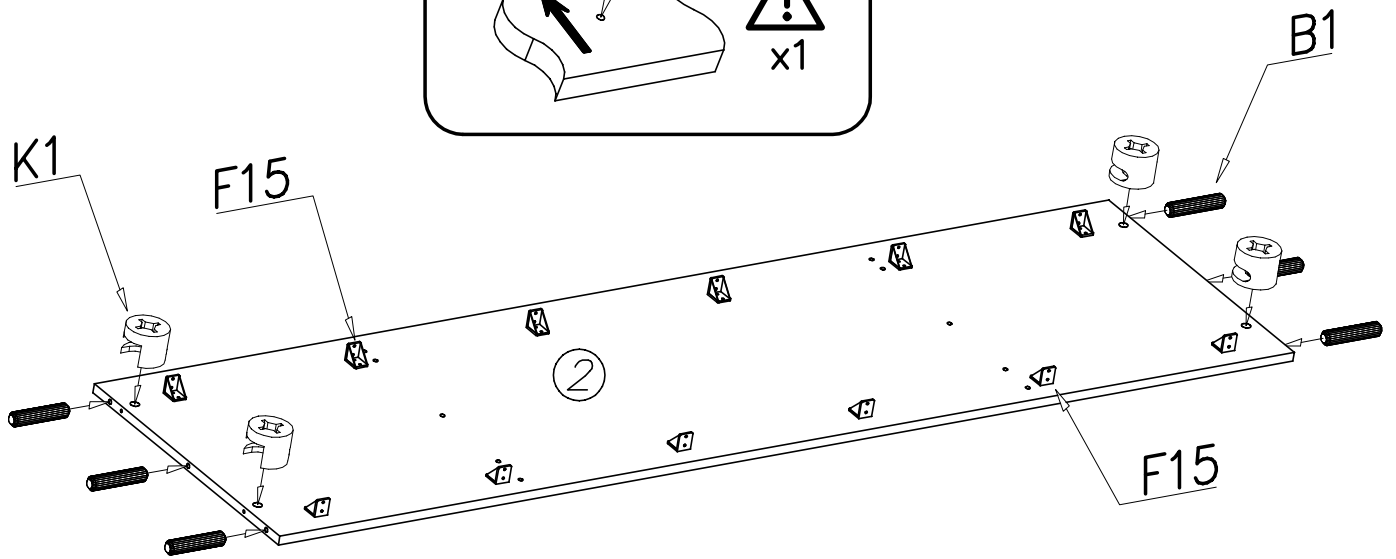
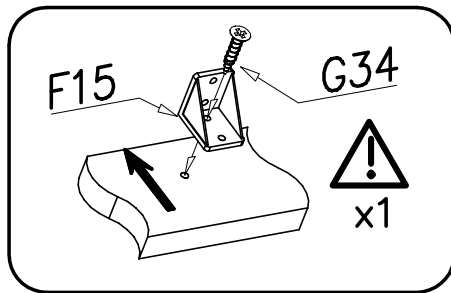
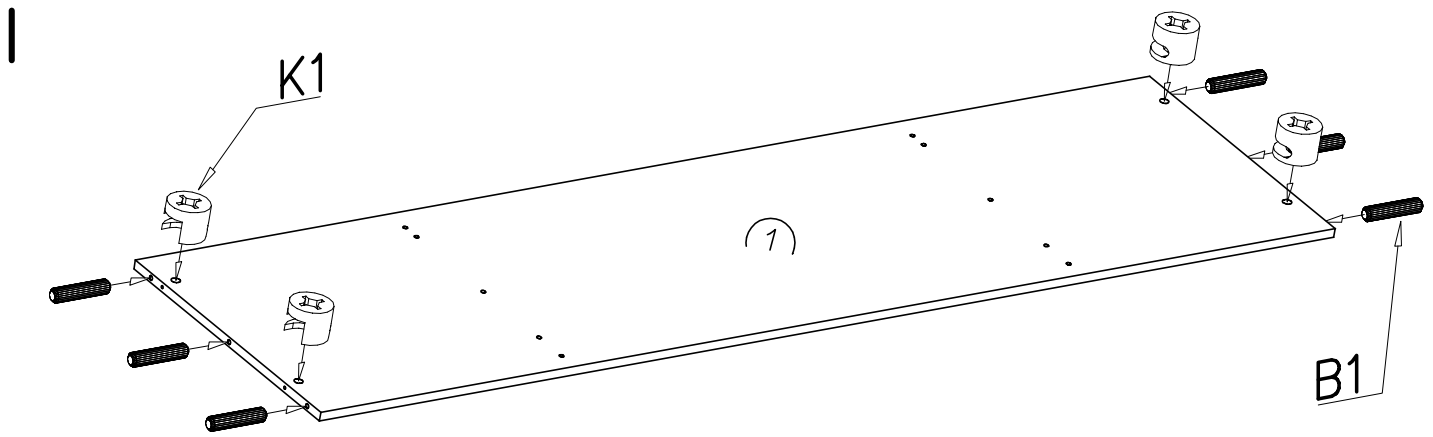


nr	L[mm]	B[mm]	T[mm]	Menge
1	532	1968	16	1
2	531	1968	16	1
3	2100	552	16	1
4	2100	552	16	1
5	1989	530	16	1
6	1989	530	16	1
7	530	968	16	2
8	2018	497	3	2
9	2018	490	3	2
10	484	498	16	8
11	1968	79	16	2

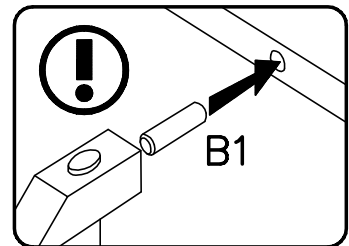
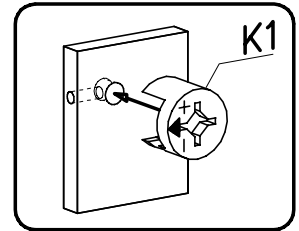
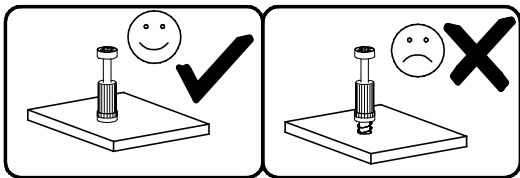
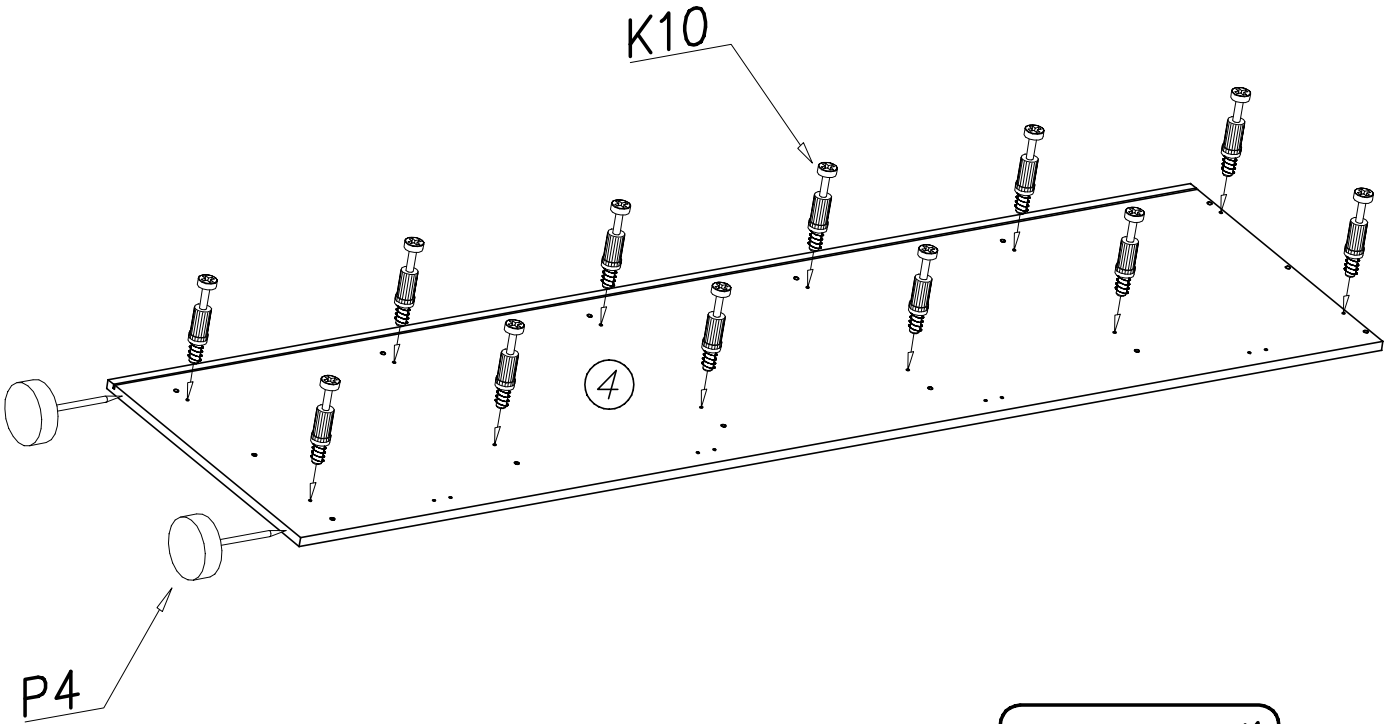
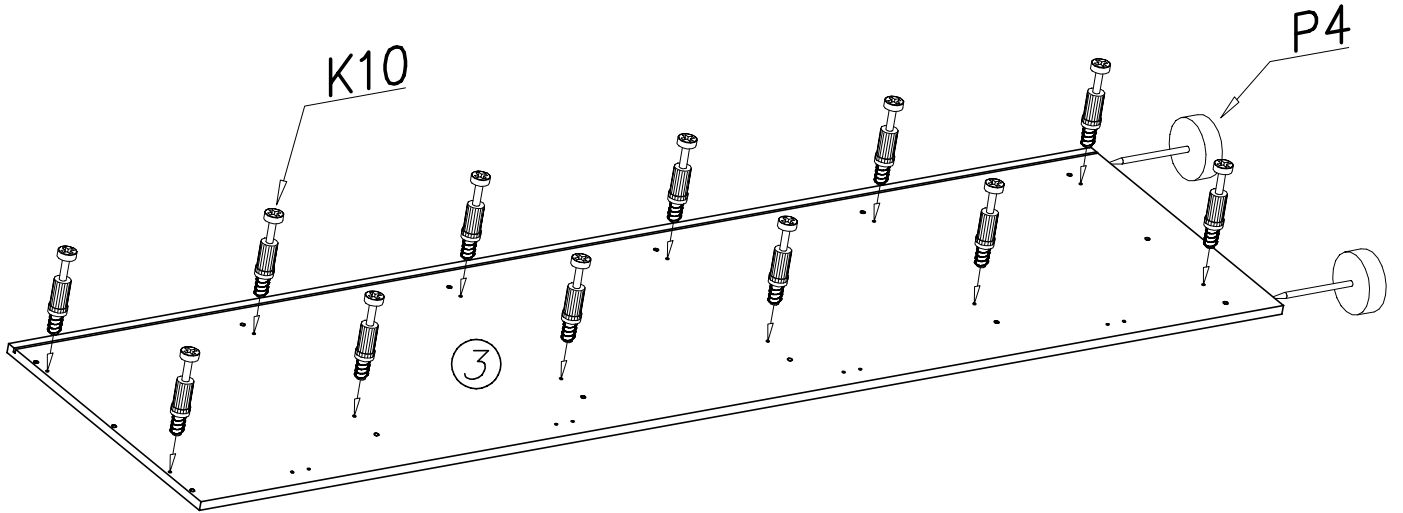


S5
960mm x...(1)

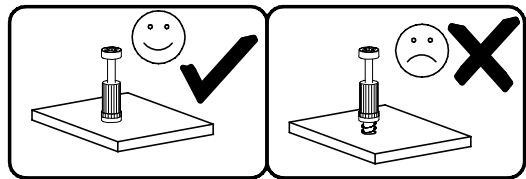
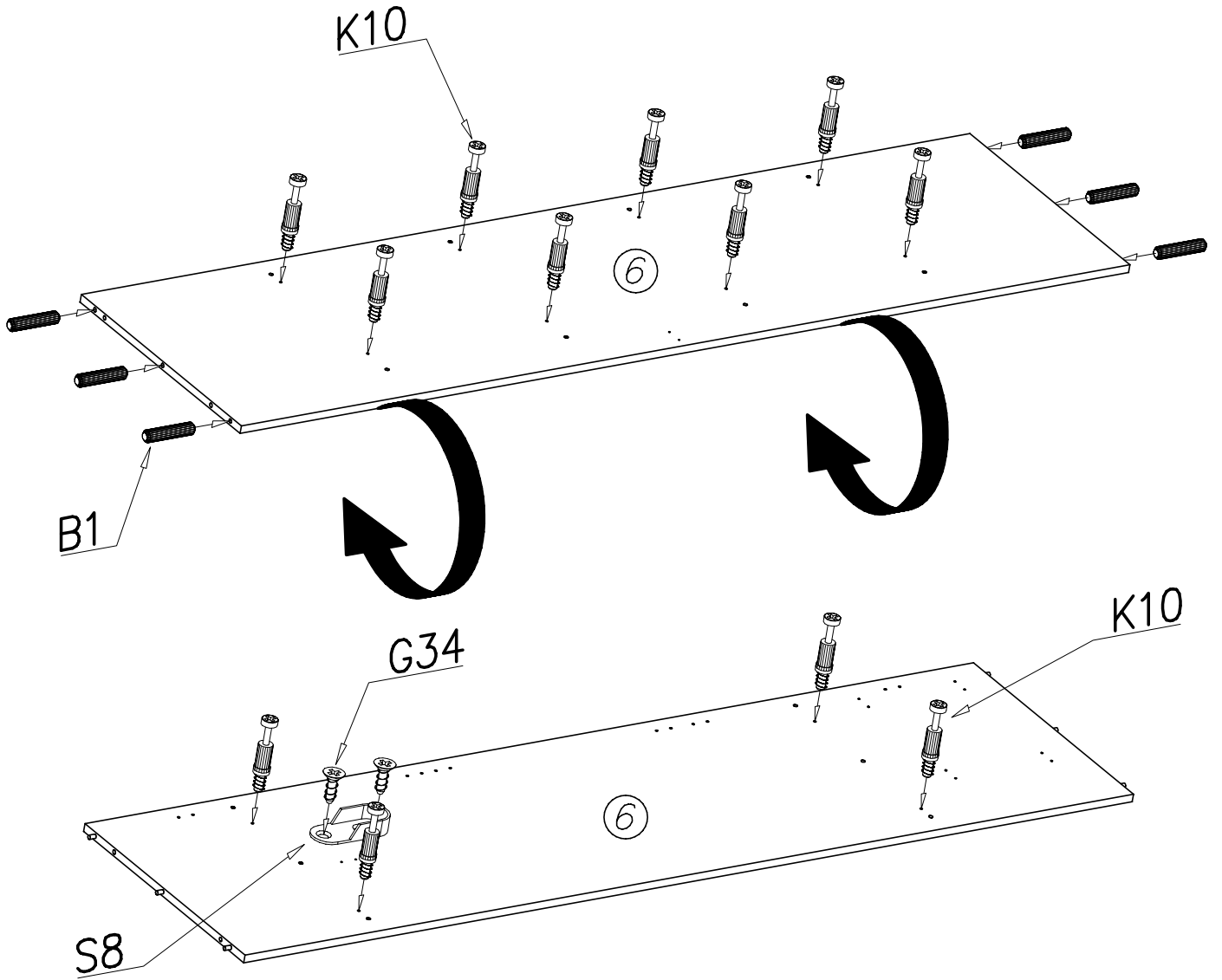
P4  x...(8)	G57  3,5x16 x...(72)	F15  x...(16)	I7  ø18 x...(48)	S8  x...(2)
K1  ø15x12 x...(48)	S1  1988mm x...(1)	I1  x...(10)	A1  ø7x50 x...(8)	G2  3x20 x...(126)
K10  x...(48)	B1  ø8x35 x...(68)	W2  x...(1)	M11  x...(2)	S2  x...(36)



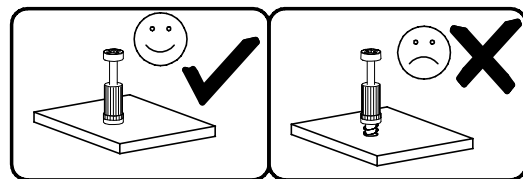
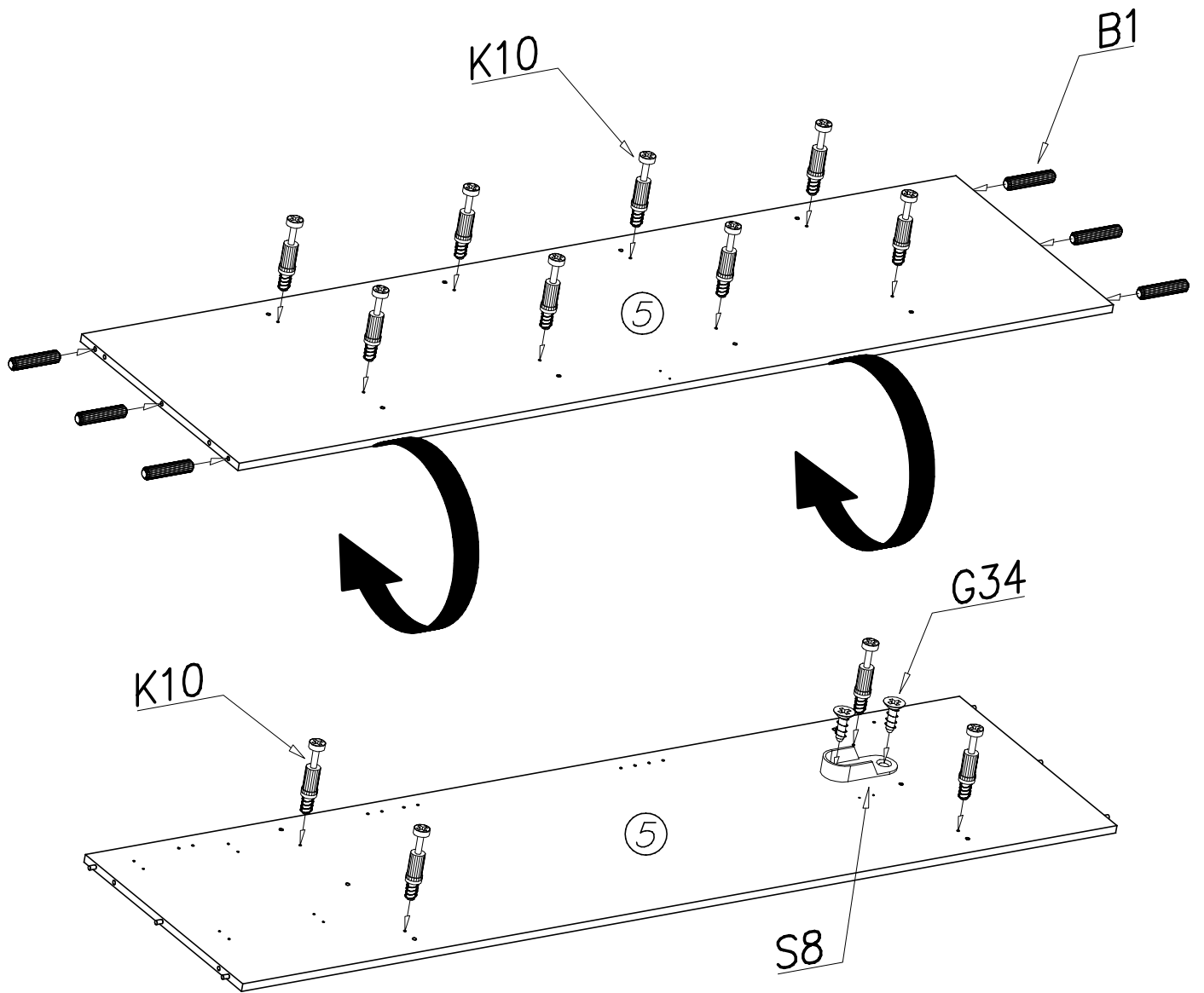
II



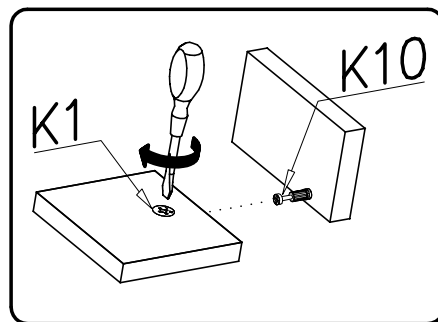
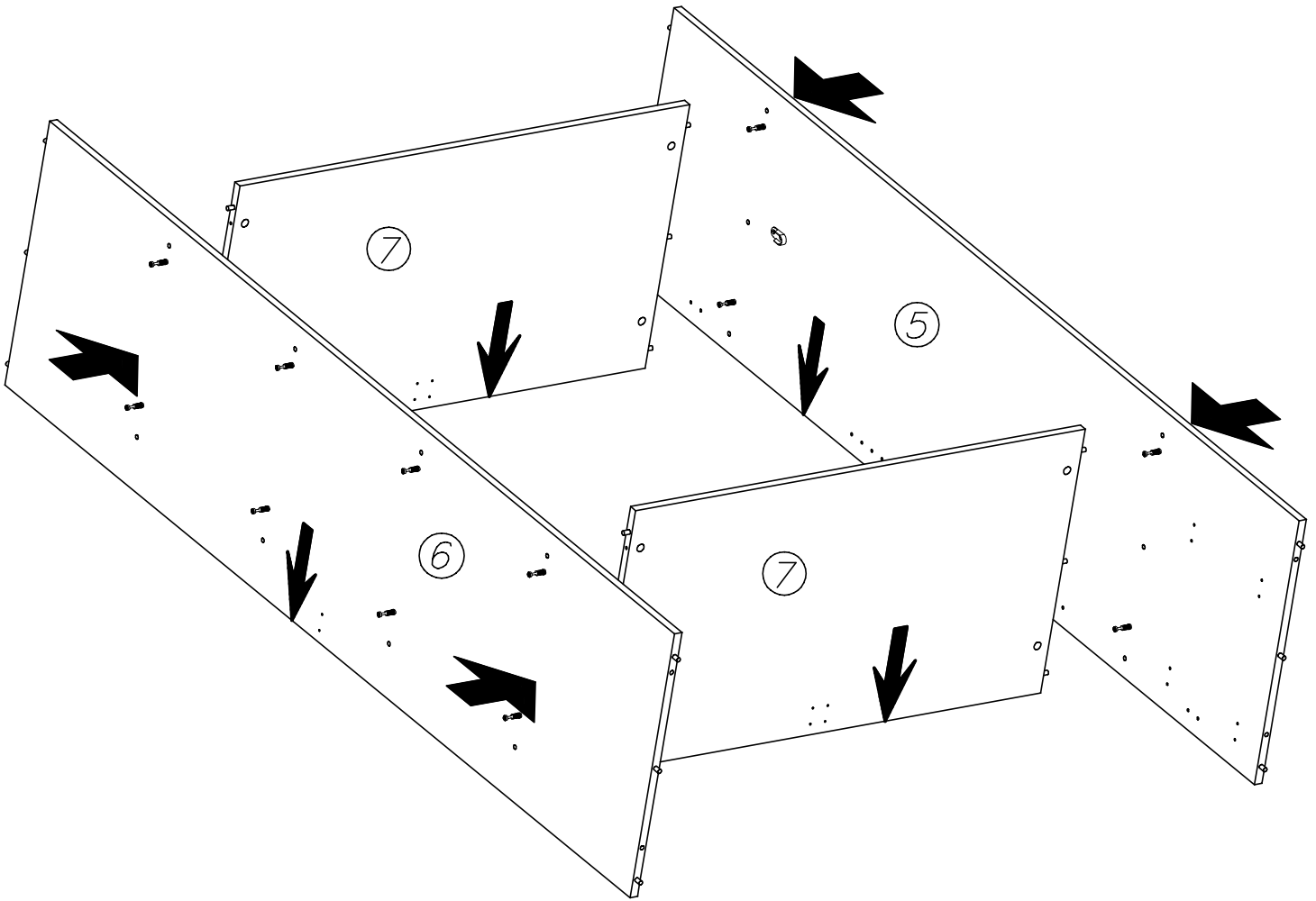
III



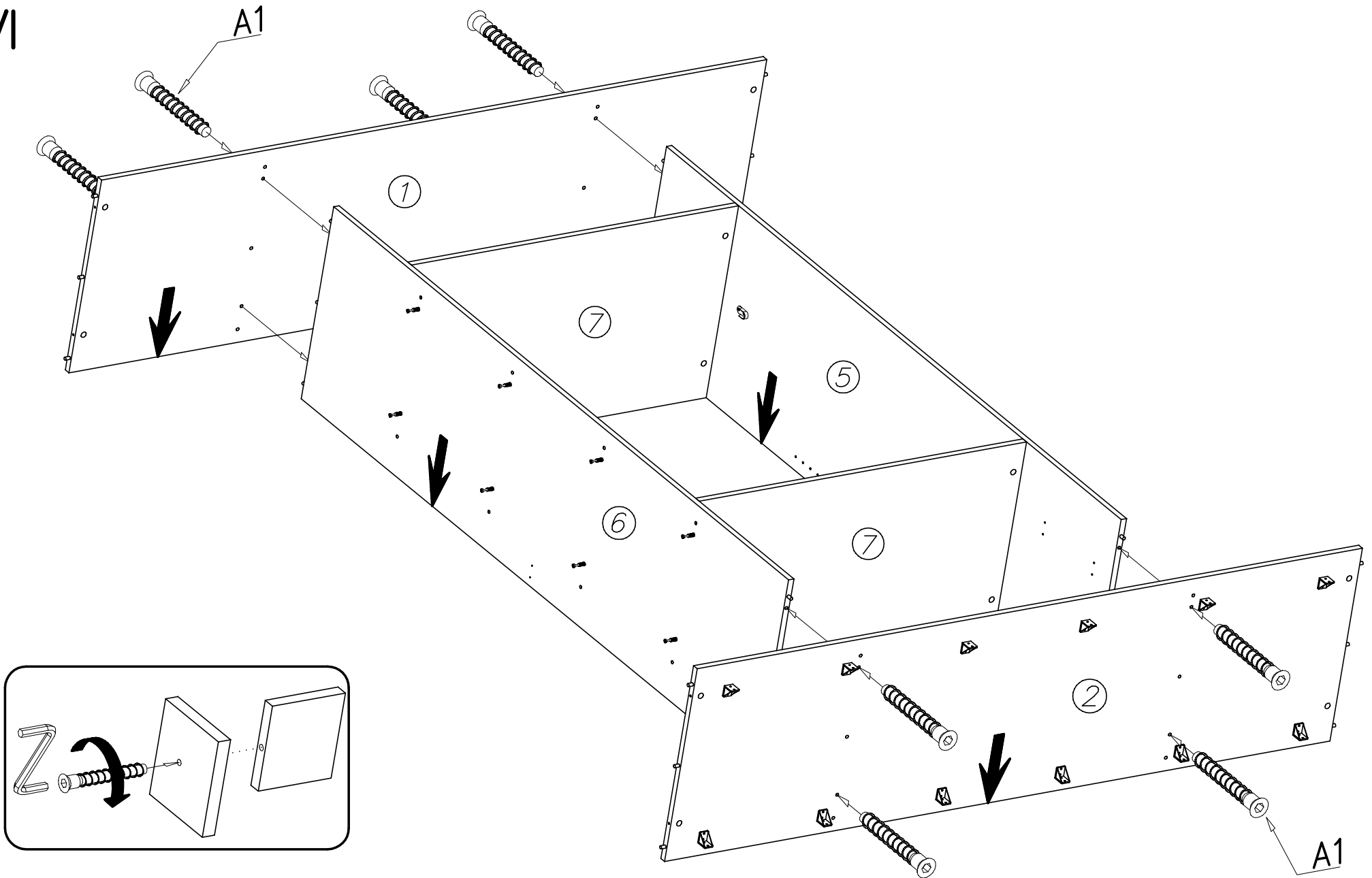
IV



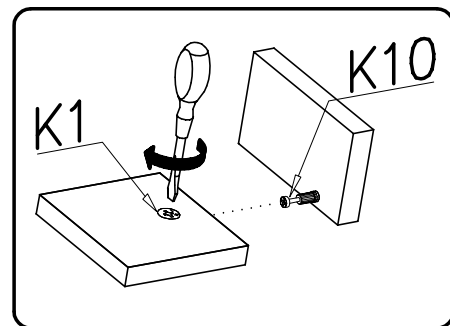
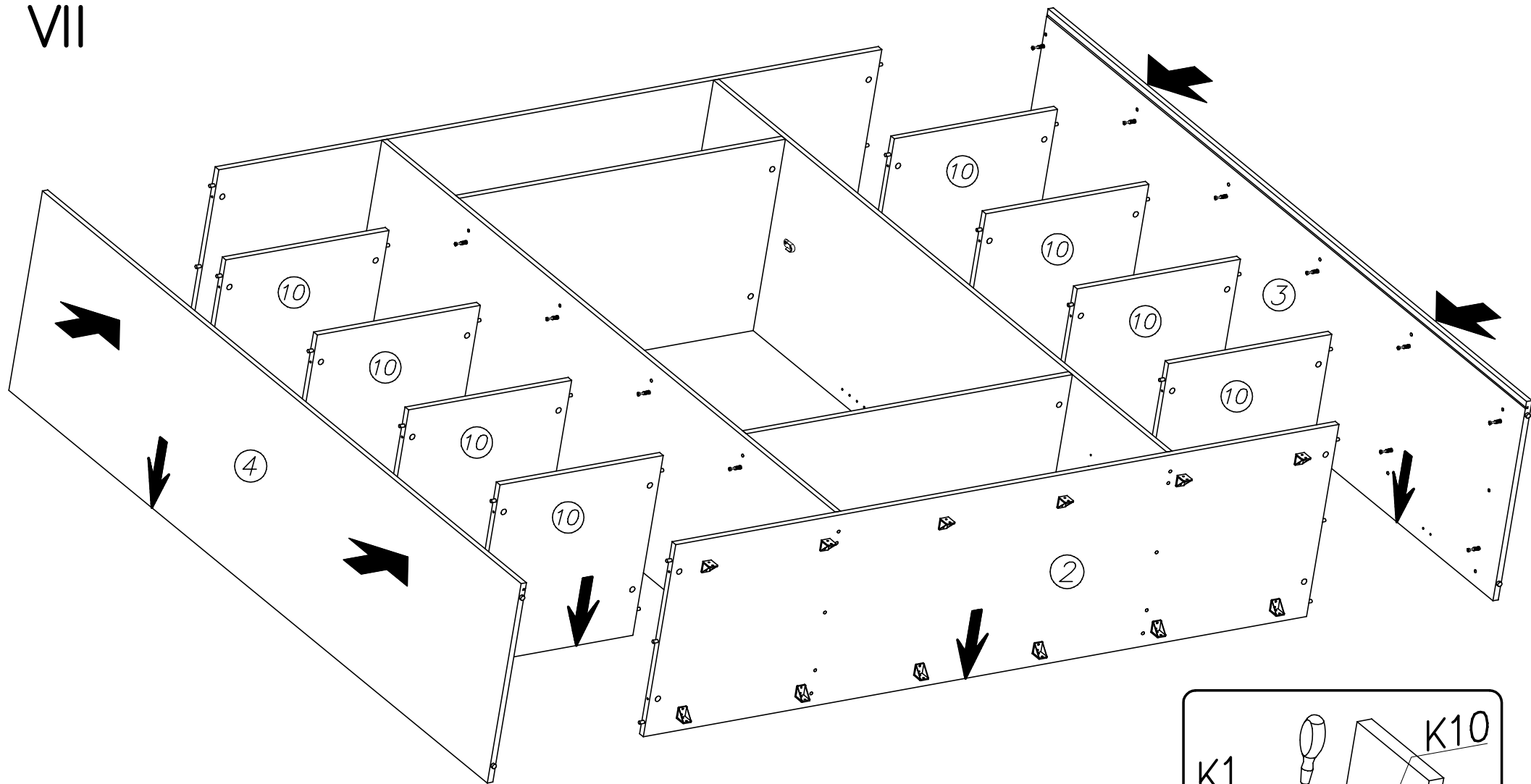
V



VI

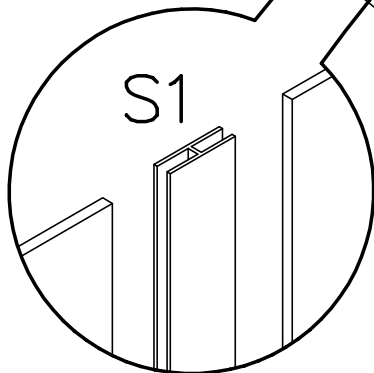
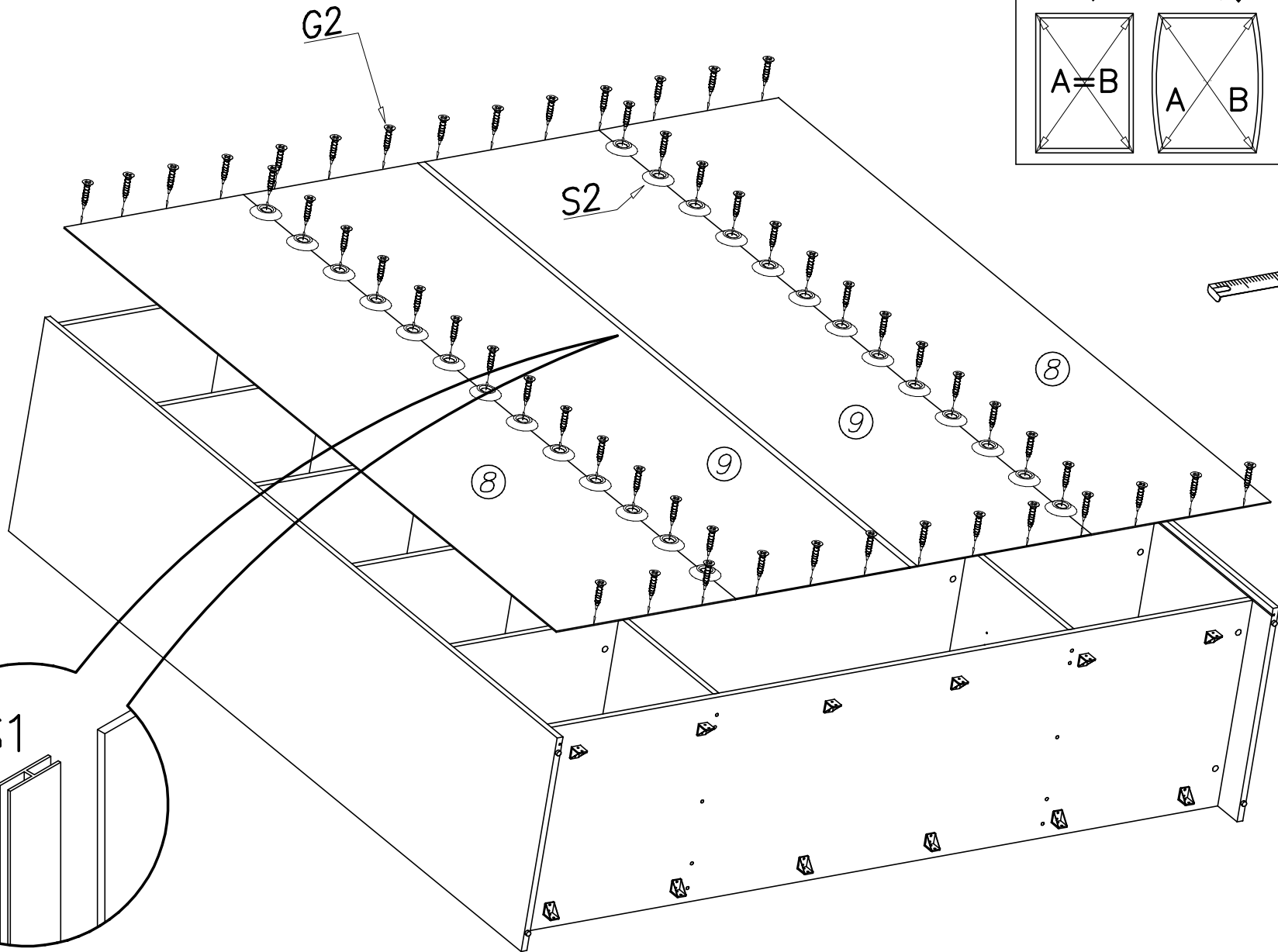
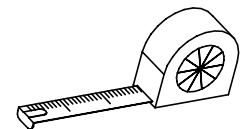
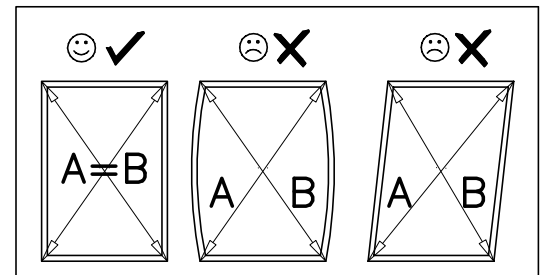


VII

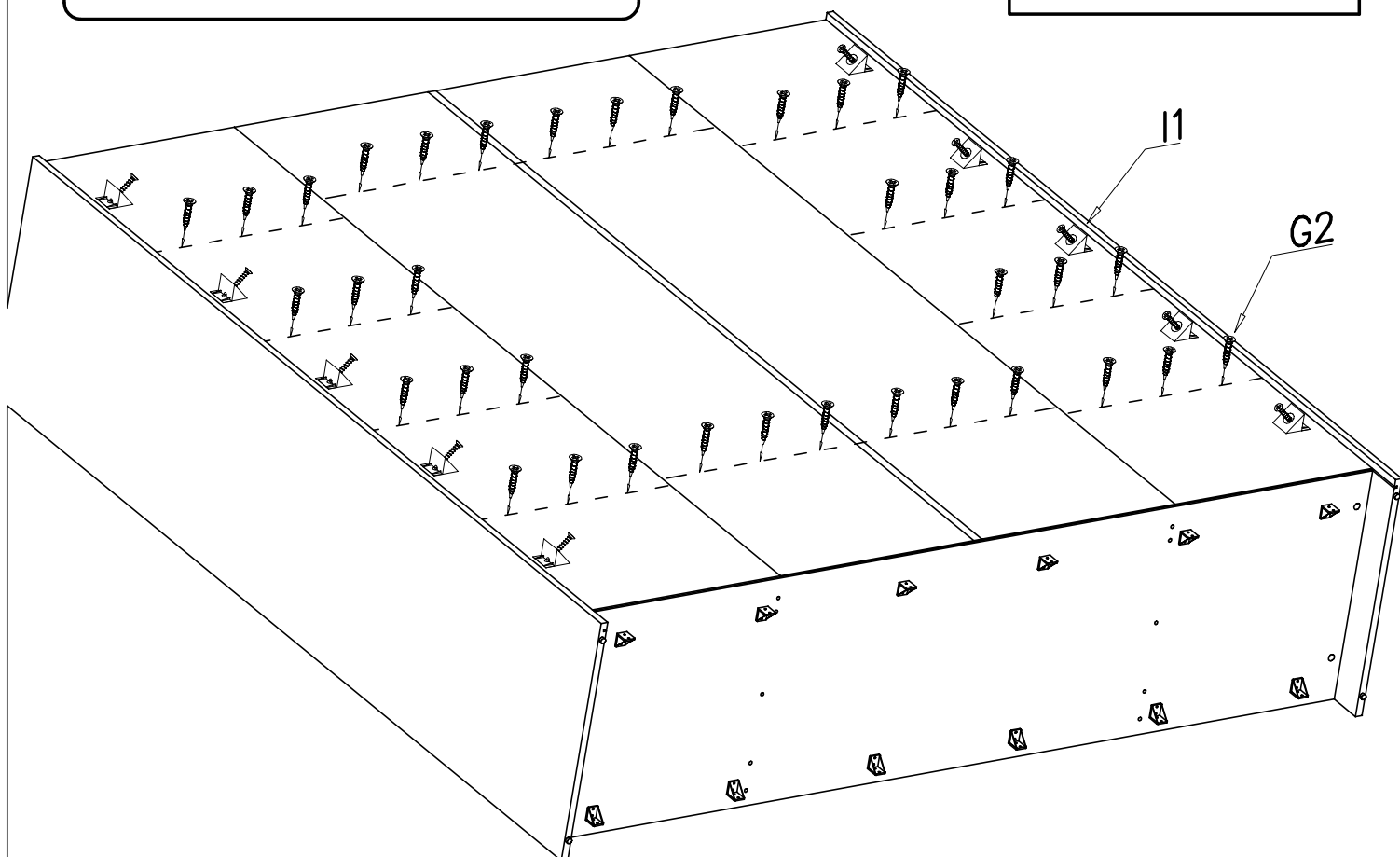
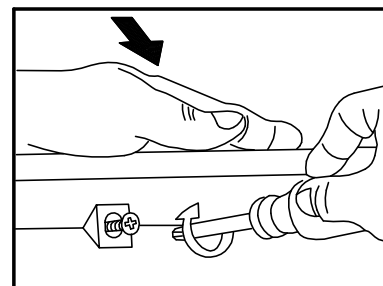
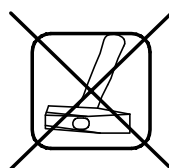
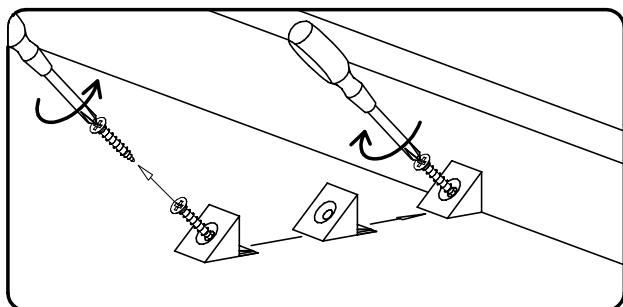
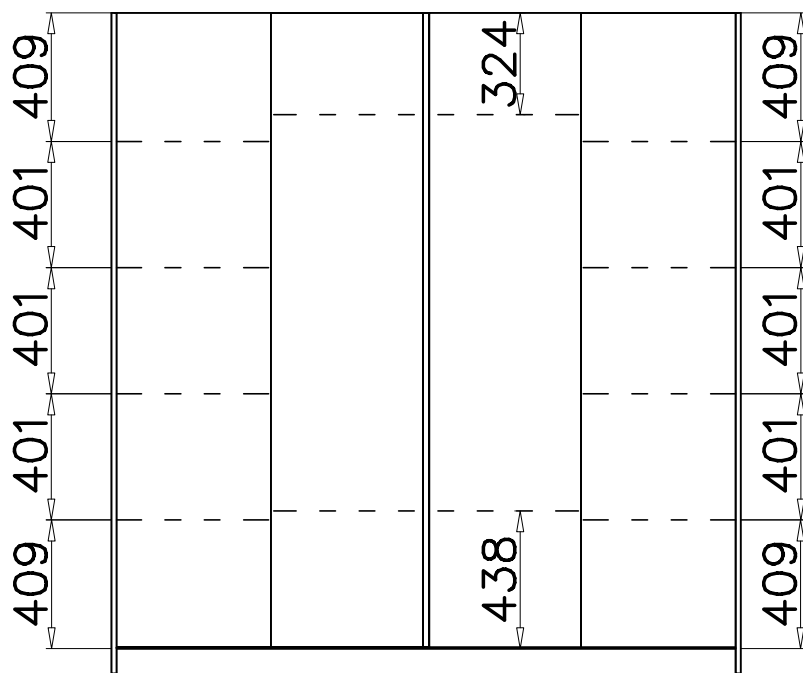


VIII

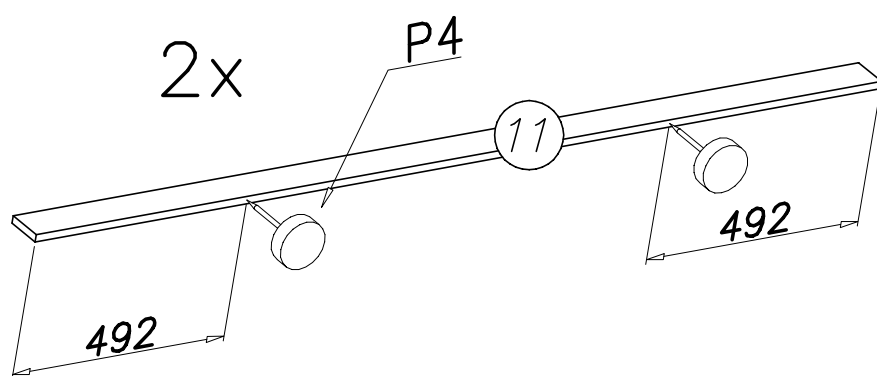
A=B



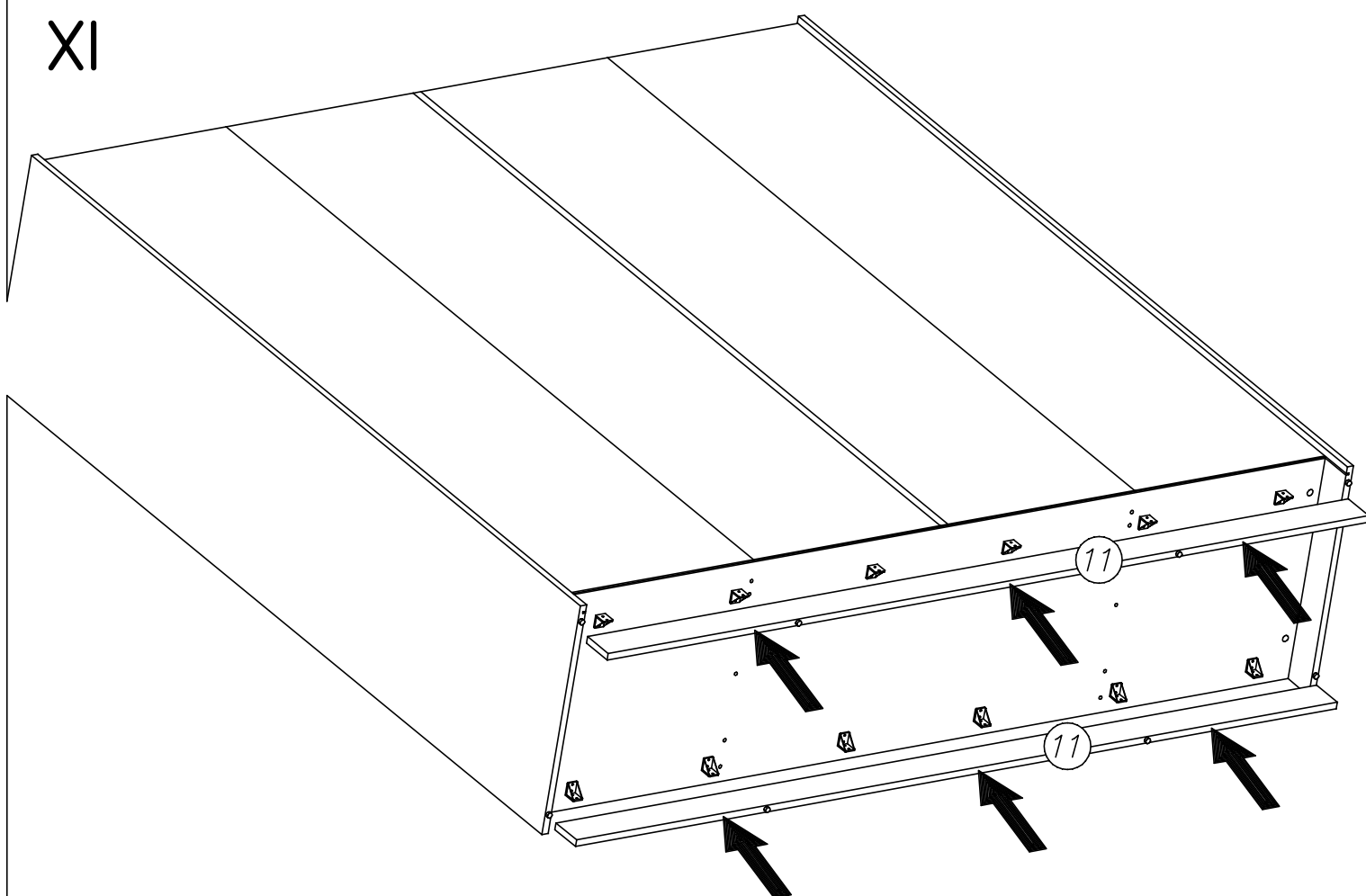
IX



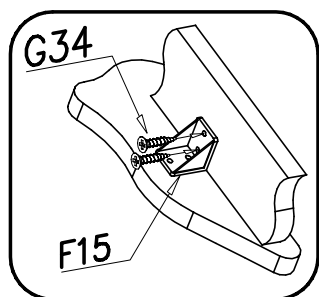
X



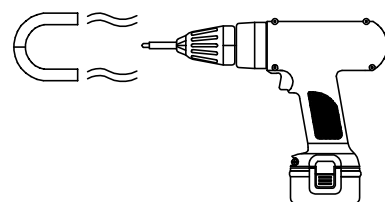
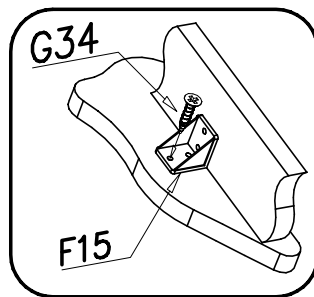
XI



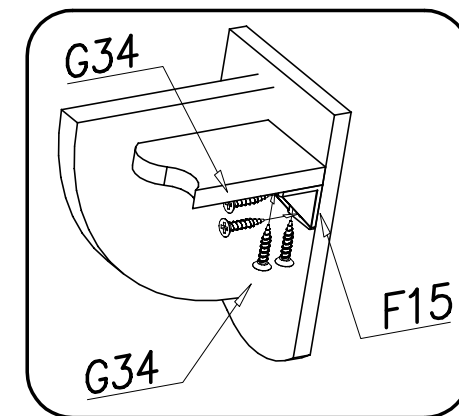
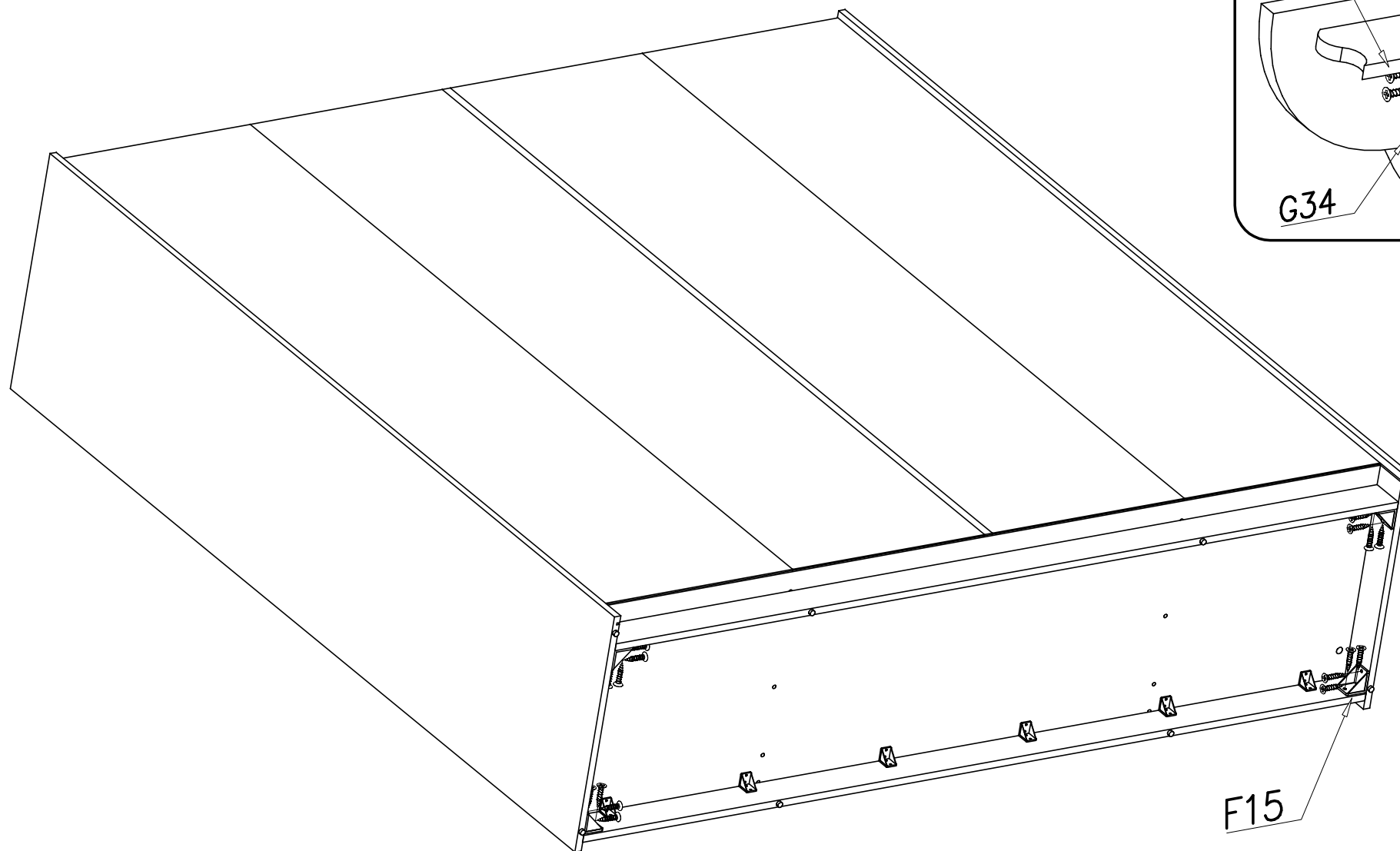
1.



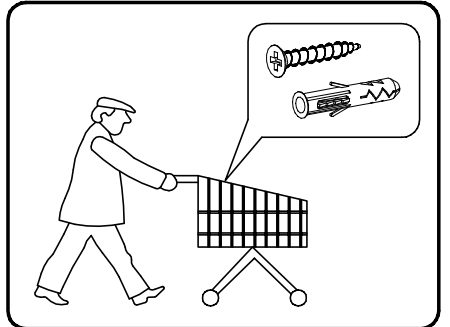
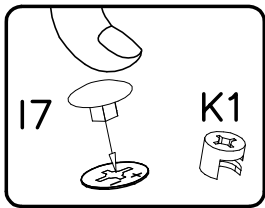
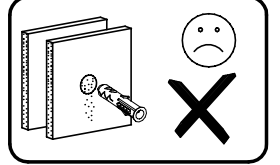
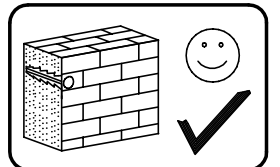
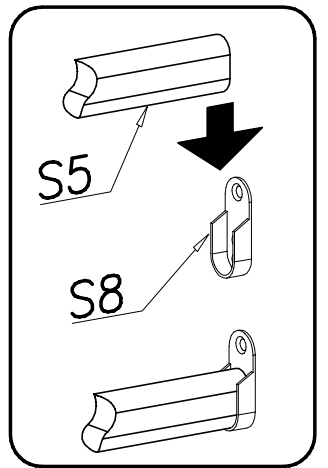
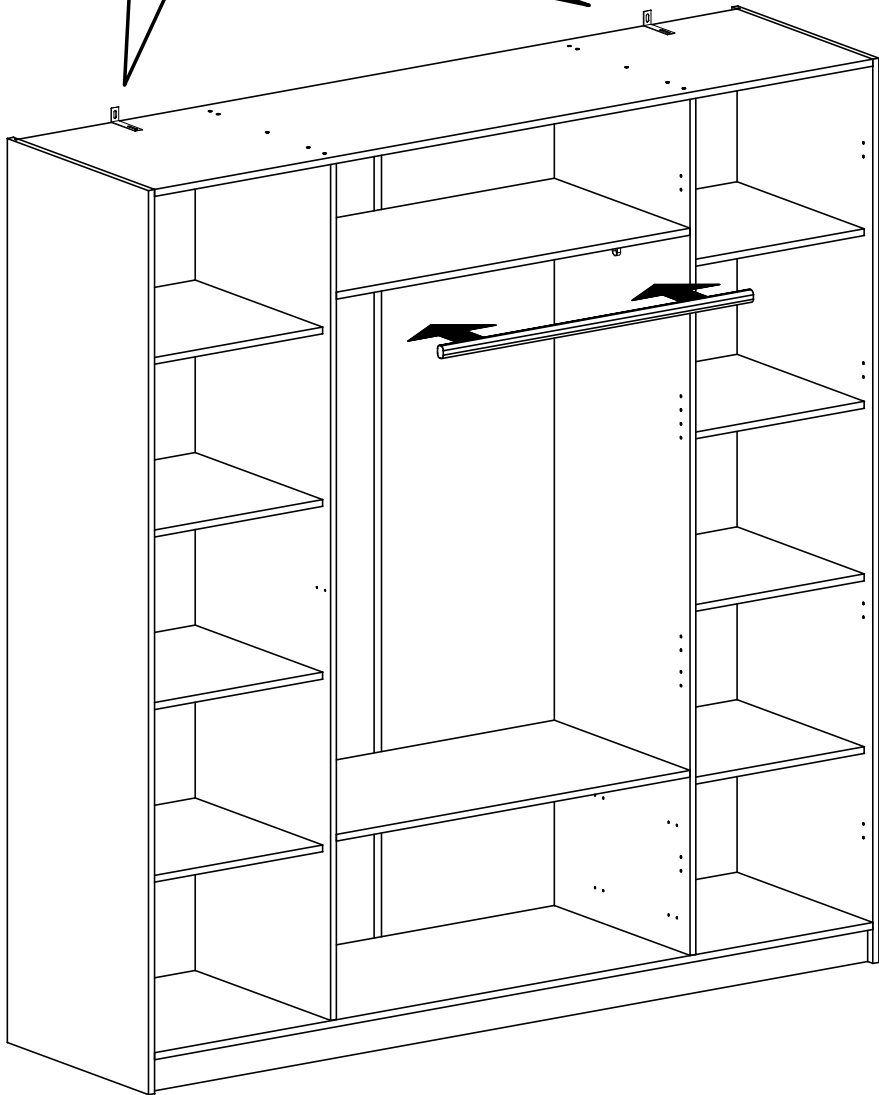
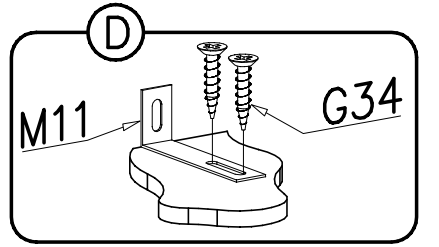
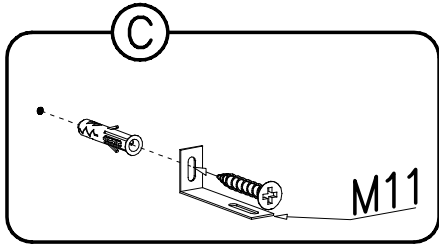
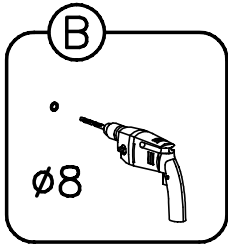
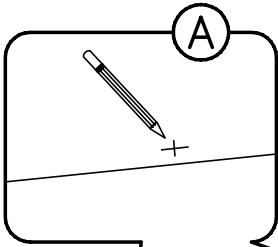
2.



XII

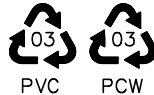
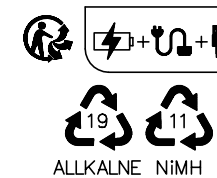
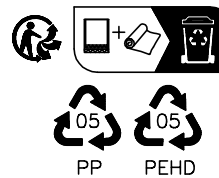
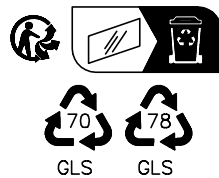
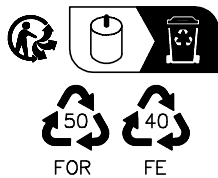
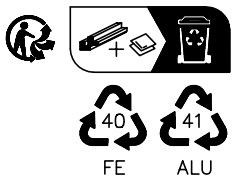
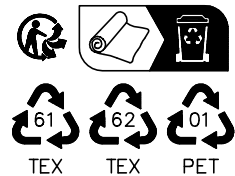
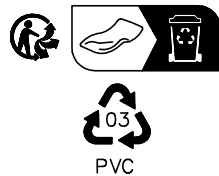
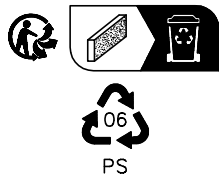
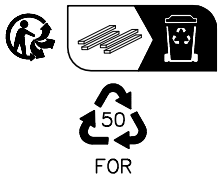
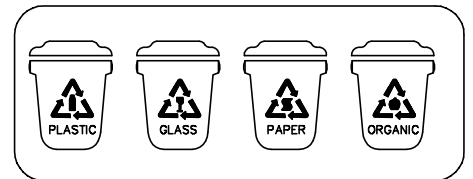
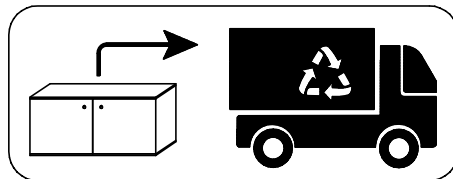
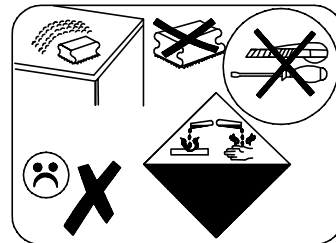
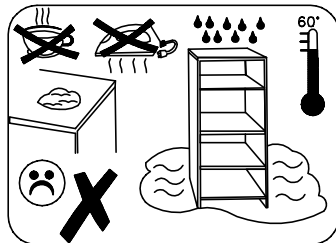
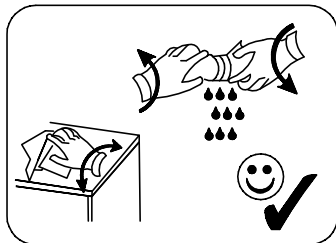
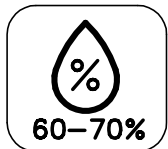
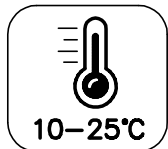
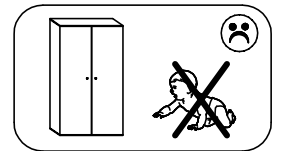
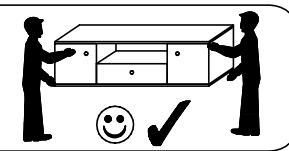
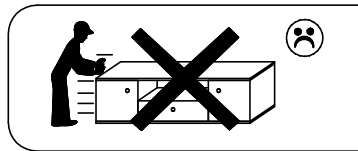
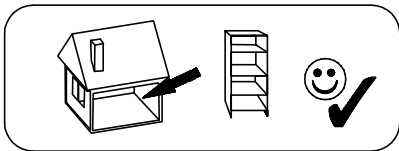
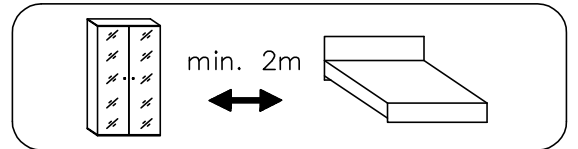
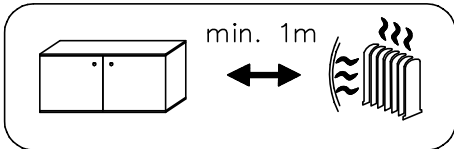
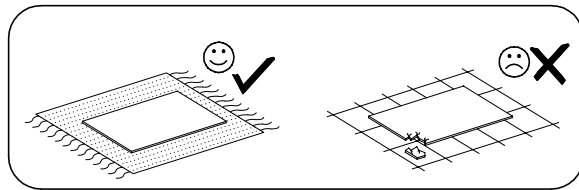
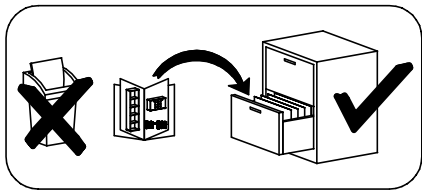


XIII

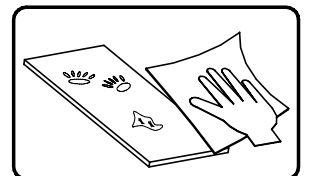
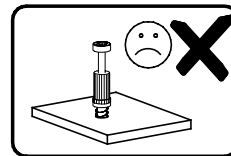
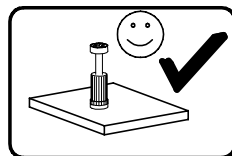
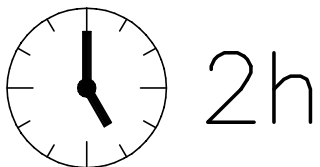
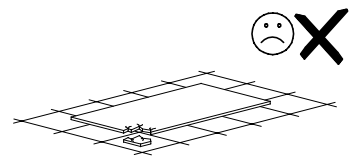
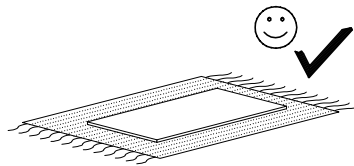
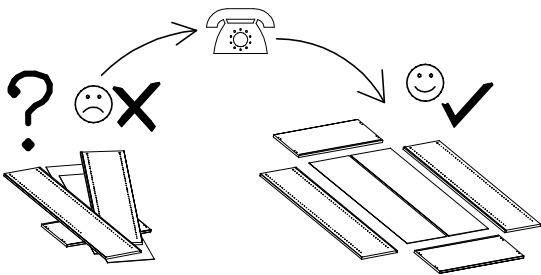
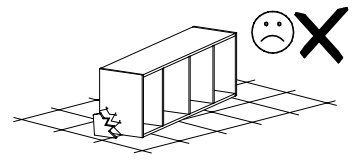
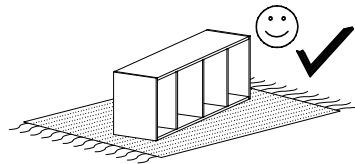
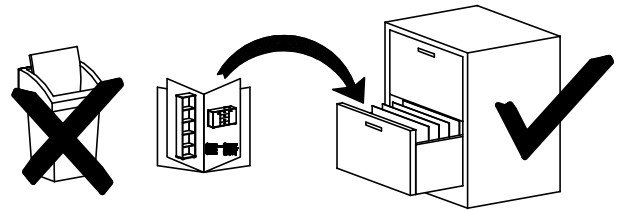
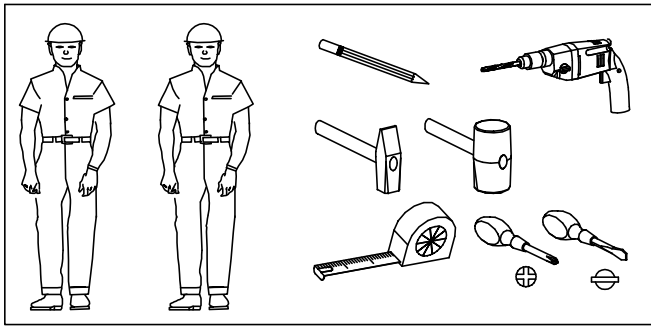
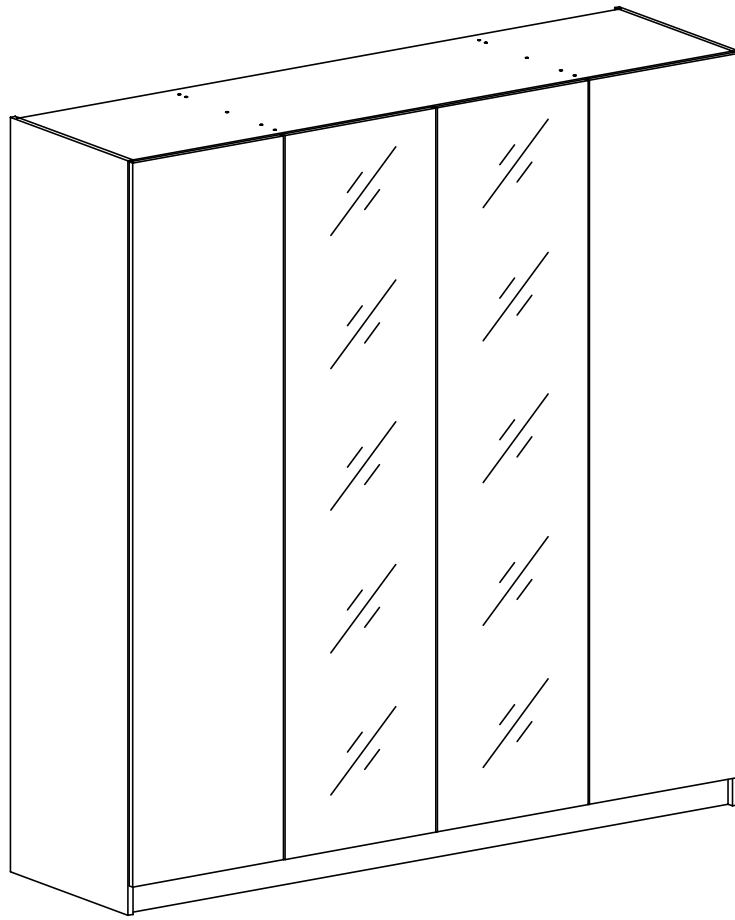


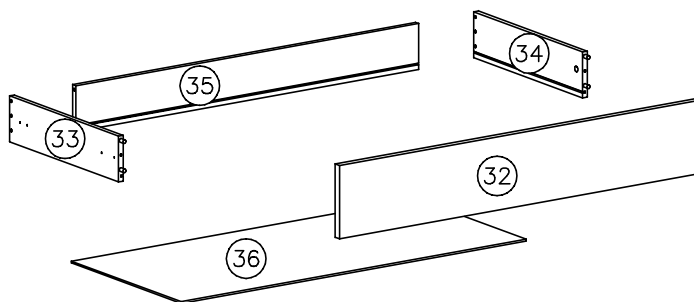
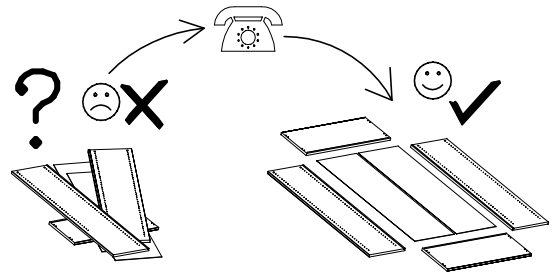
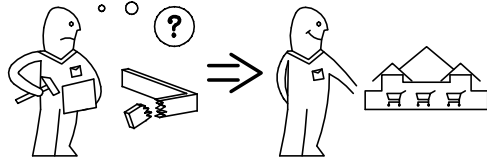
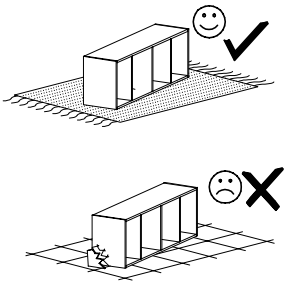


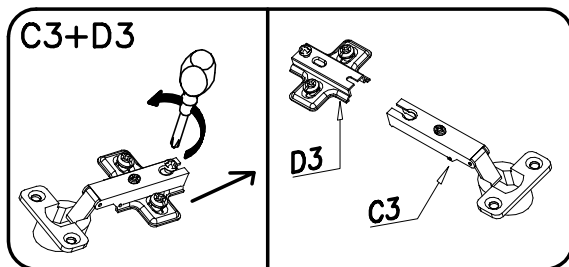
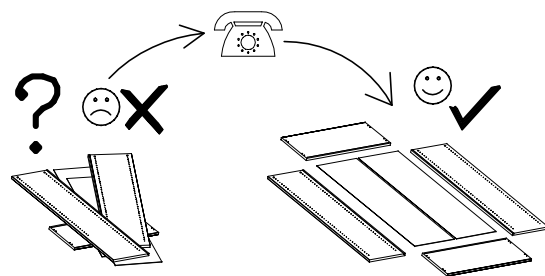
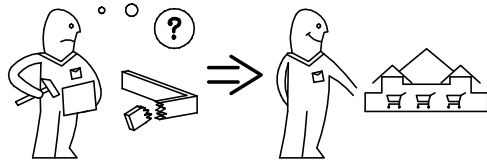
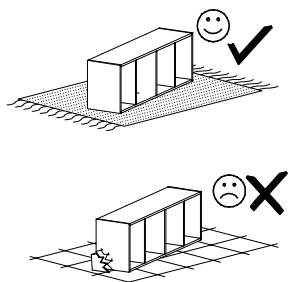
Uwaga • Upozornění • Achtung • Attention • Caution • Figyelem
 Attenzione • Opgelet • Внимание • Atenție • Upozornenie • Dikkat

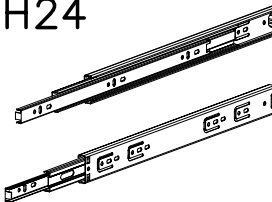
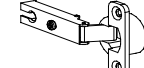

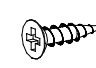
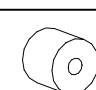
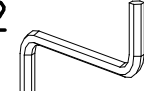

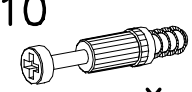

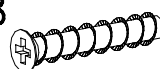

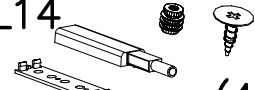

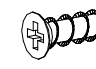
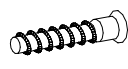


4D lustru push

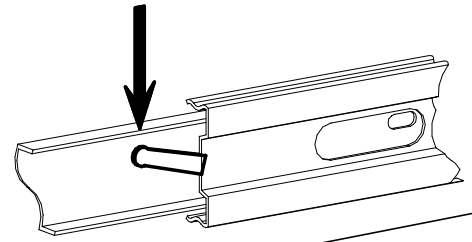
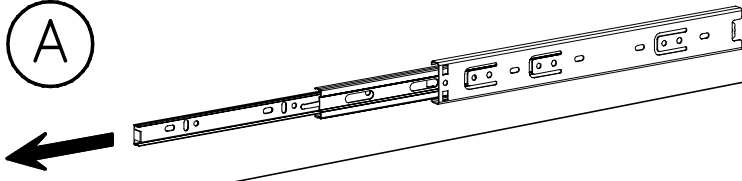




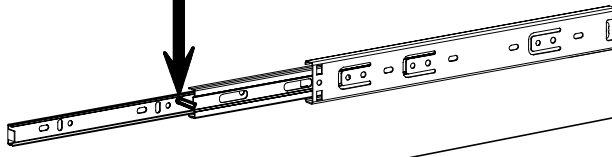


H24  H35-400mm x...(2)	C3  Z35PR x...(16) D3 H=2  PZ35PR x...(16)	G34  3,5x16 x...(36) I27  18mm x...(8)	W2  x...(1)	K4  ø12x10 x...(4)	
K10  x...(4)	W1  x...(1)	G58  6x32 x...(8)	G57  3,5x16 x...(8)	L14  x...(4)	
			M8  400mm x...(2)		
			G20  5x11 x...(8)	A6  ø7x40 x...(8)	

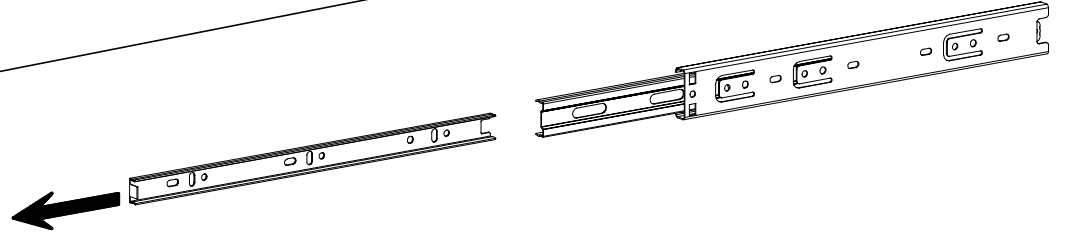
(A)



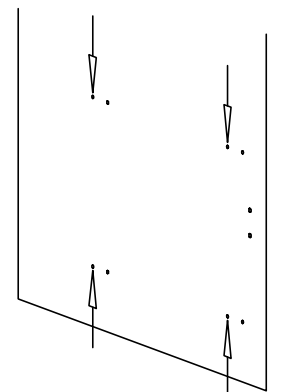
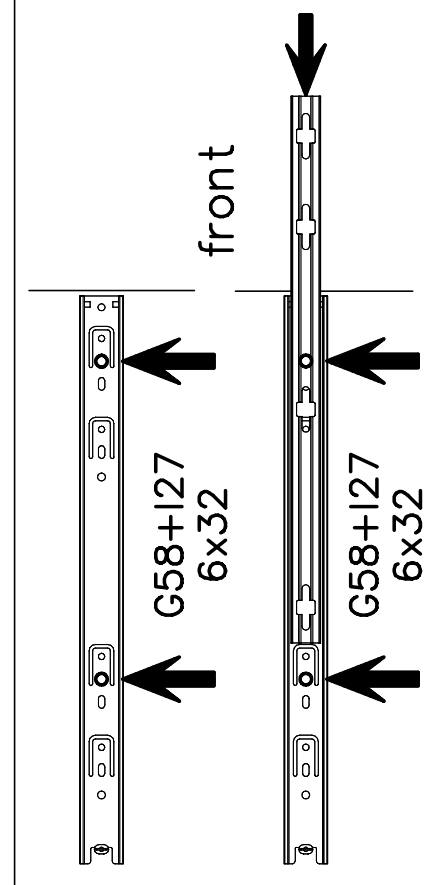
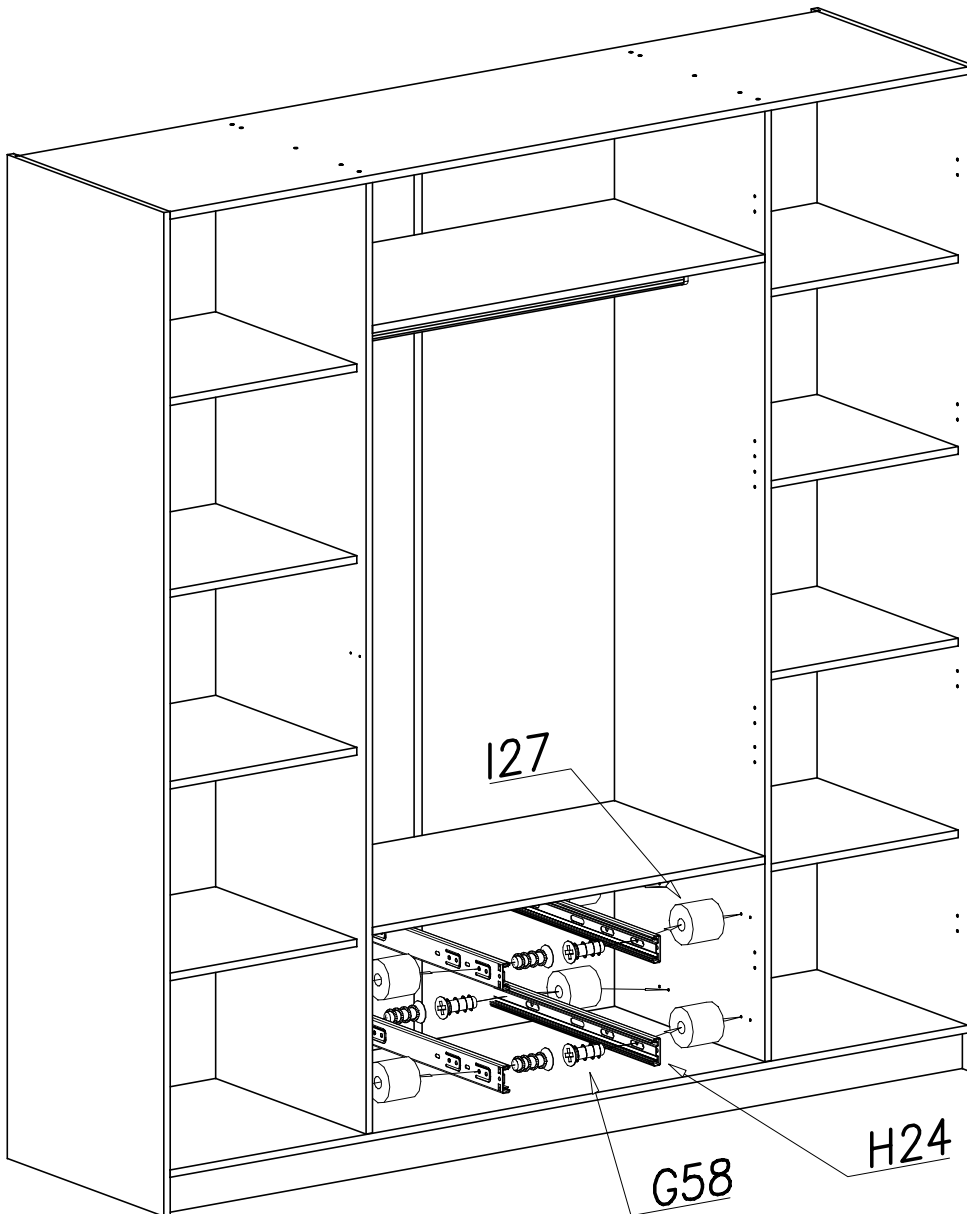
(B)



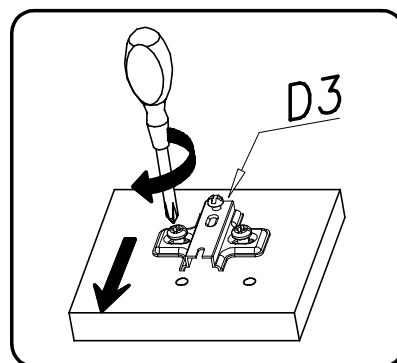
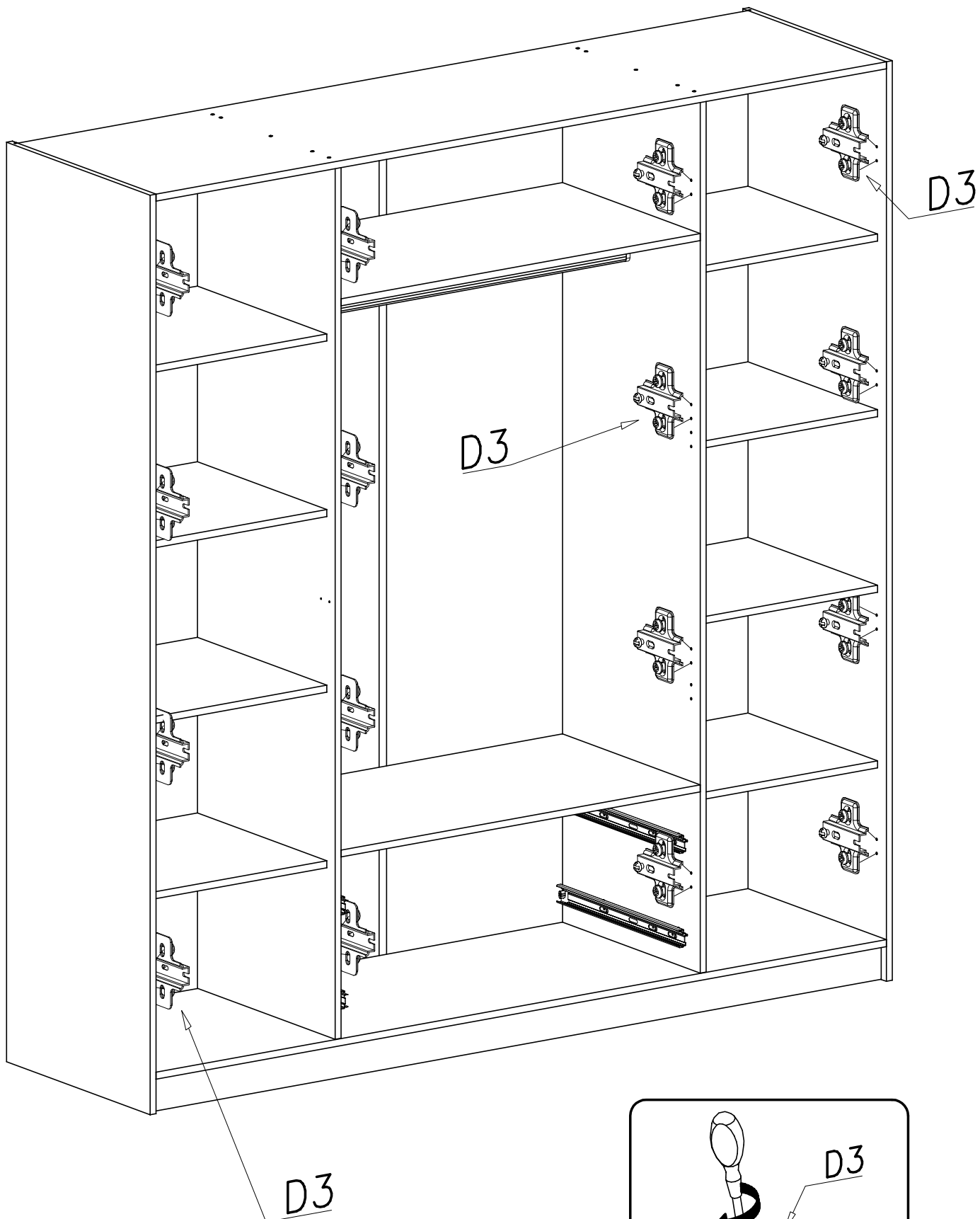
(C)



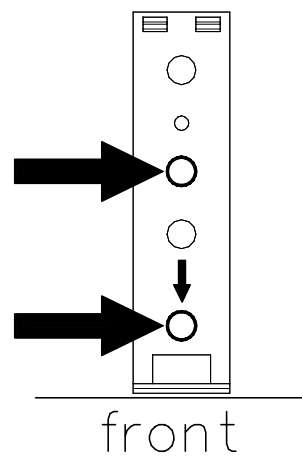
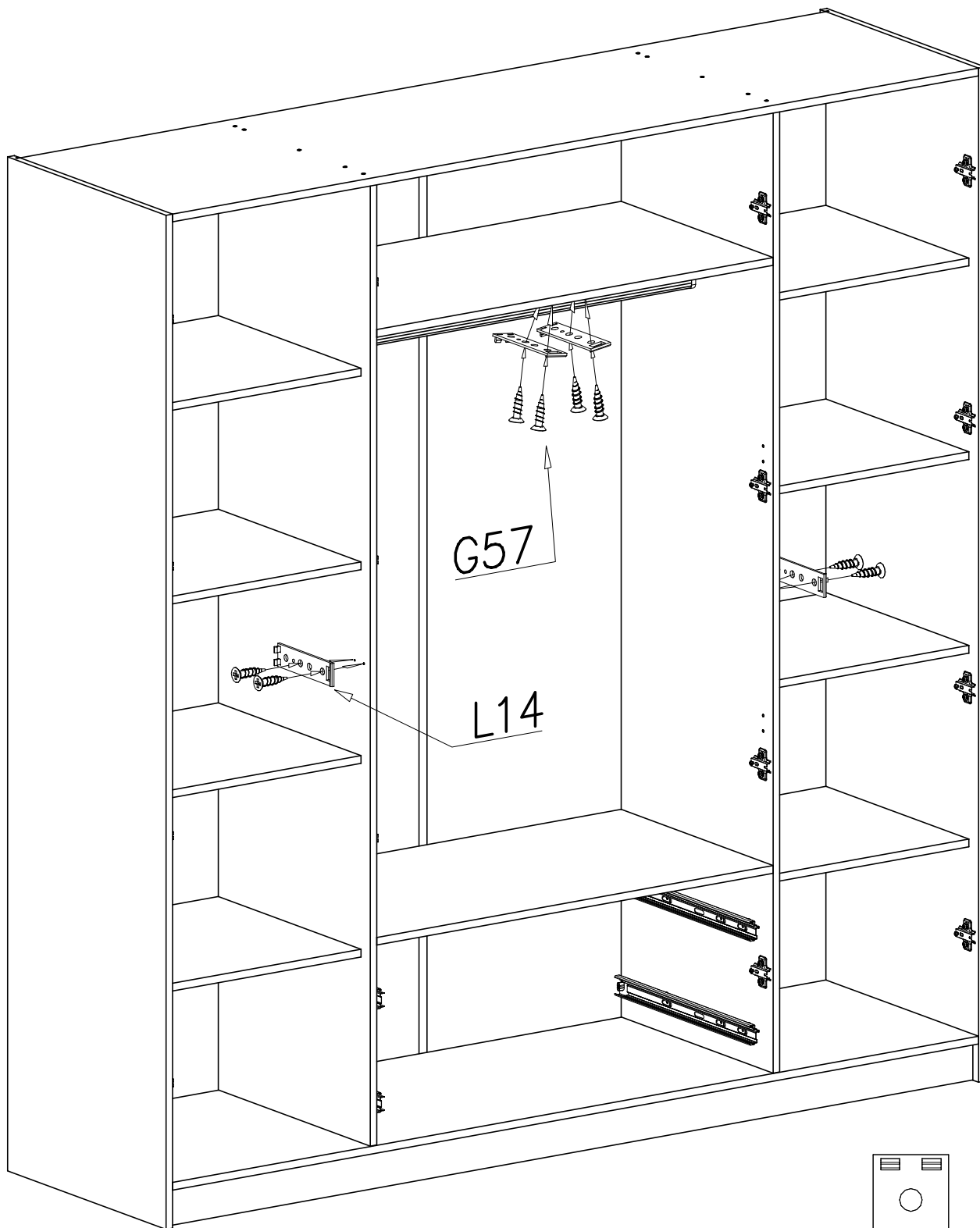
I



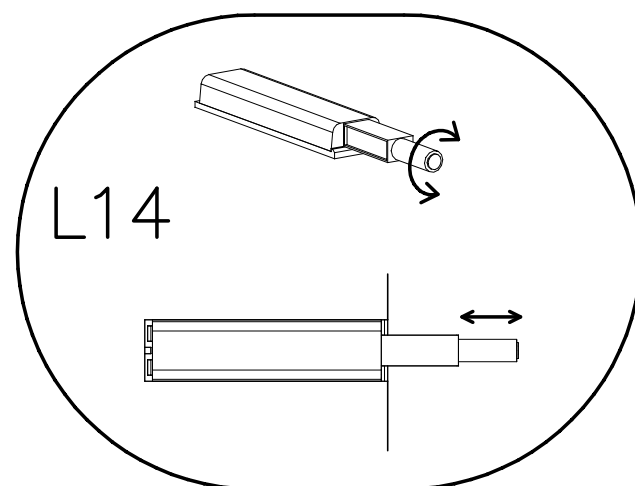
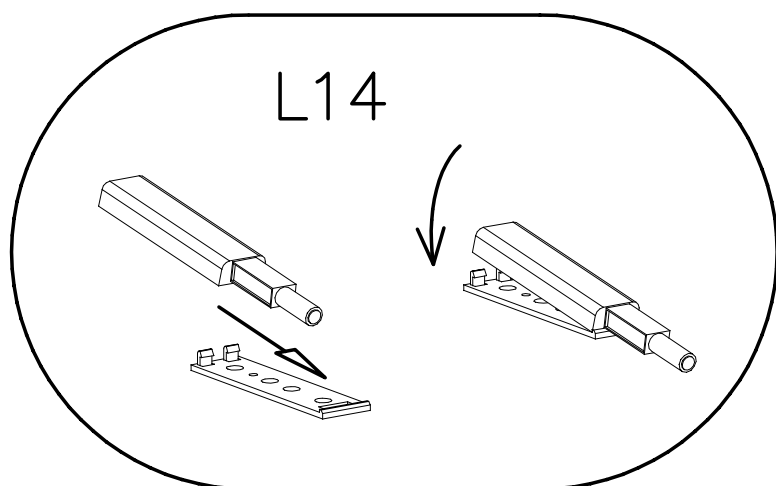
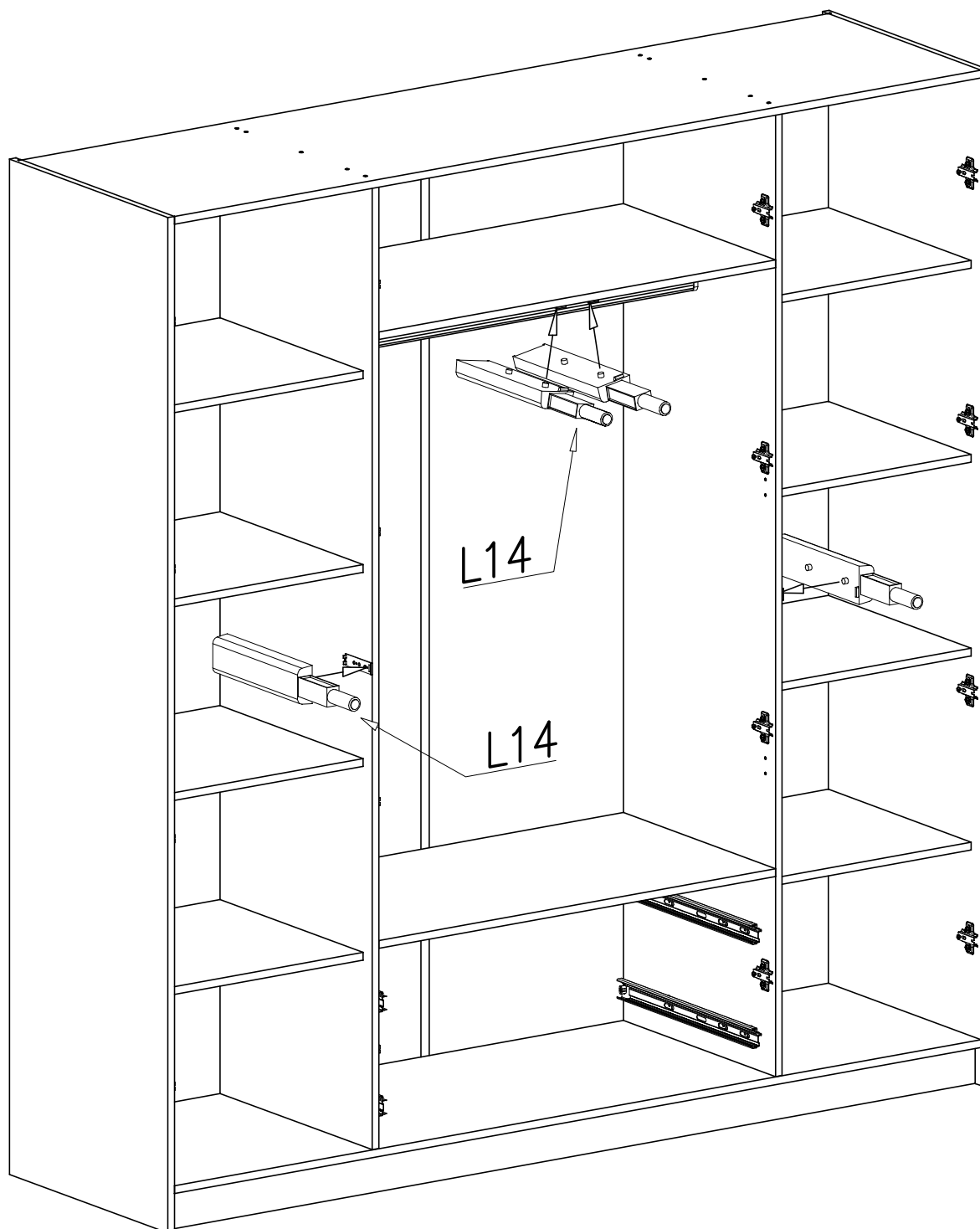
II



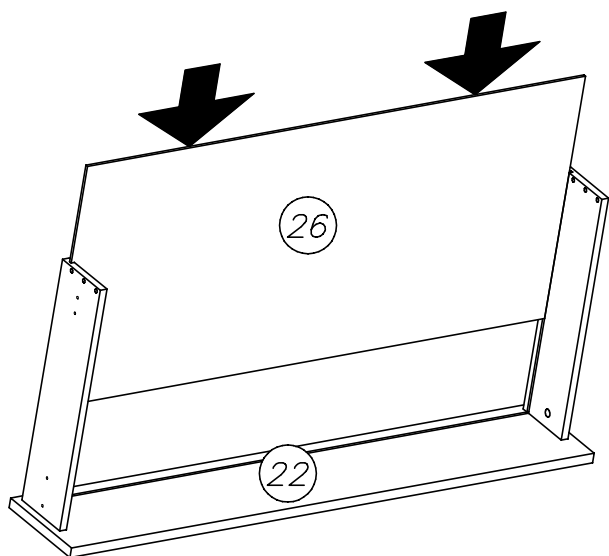
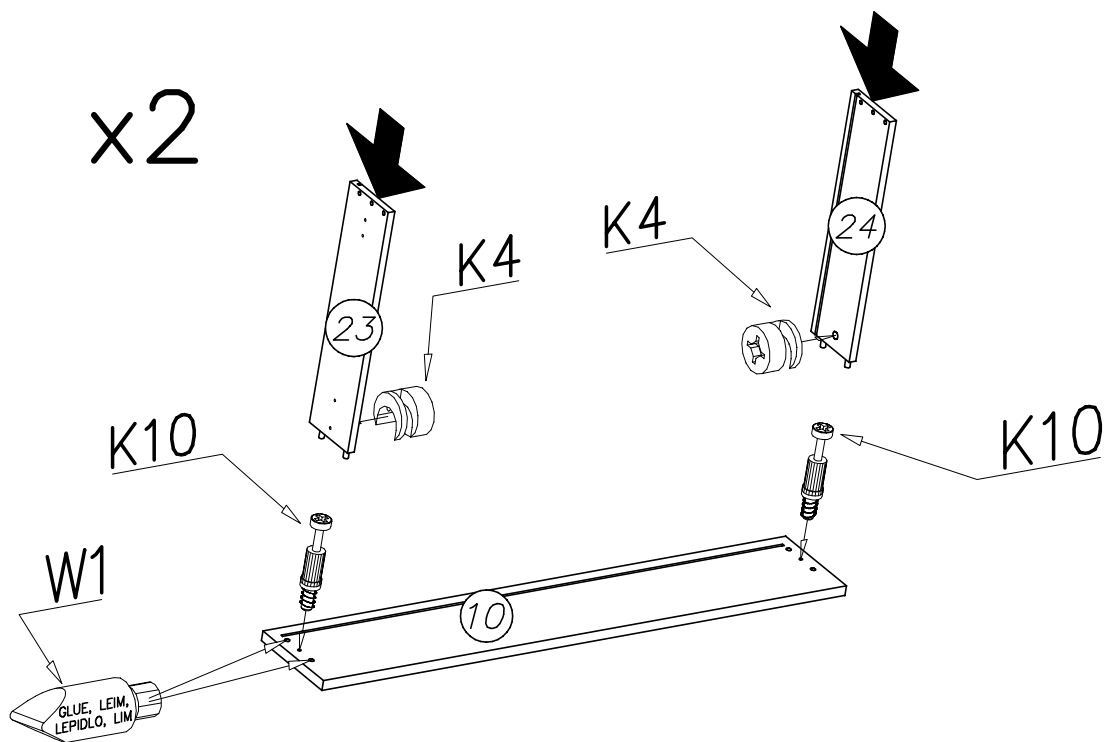
III



IV

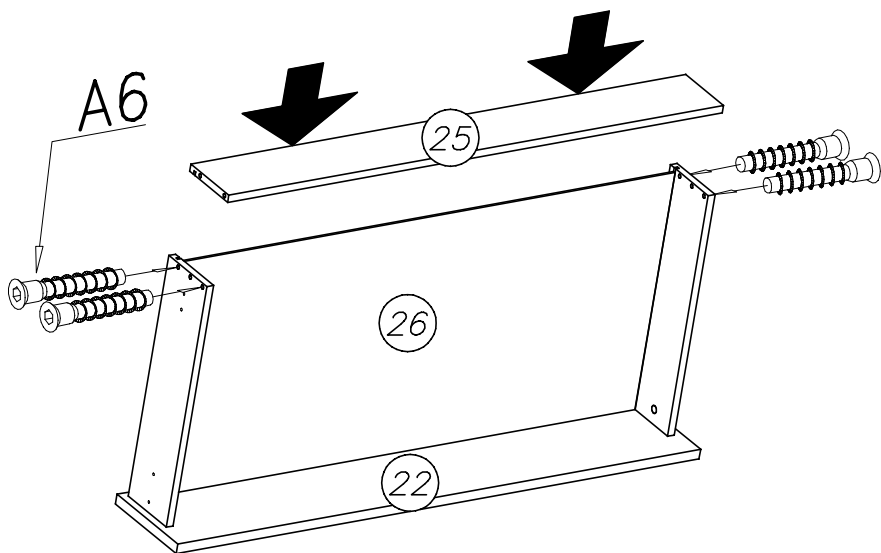


V

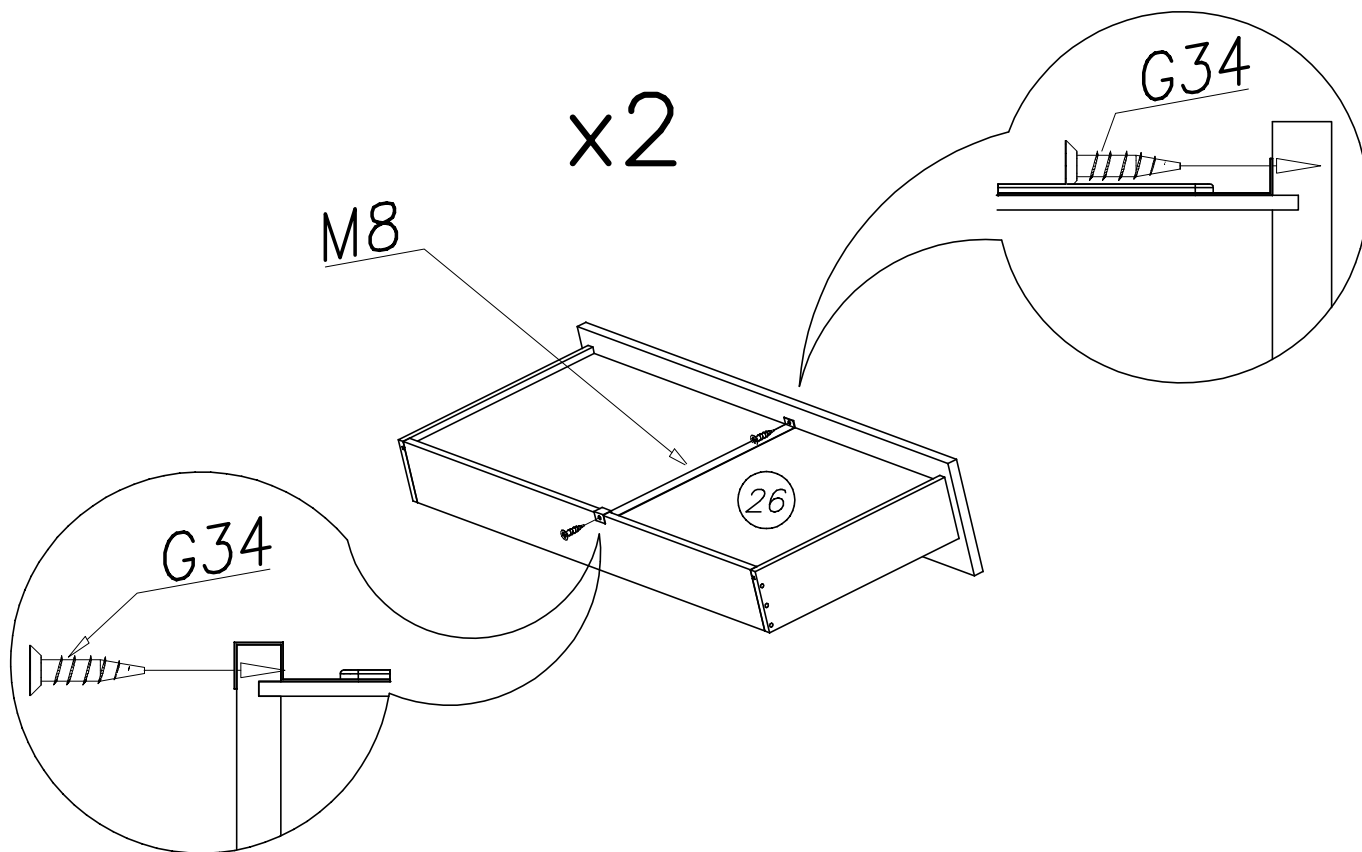


x2

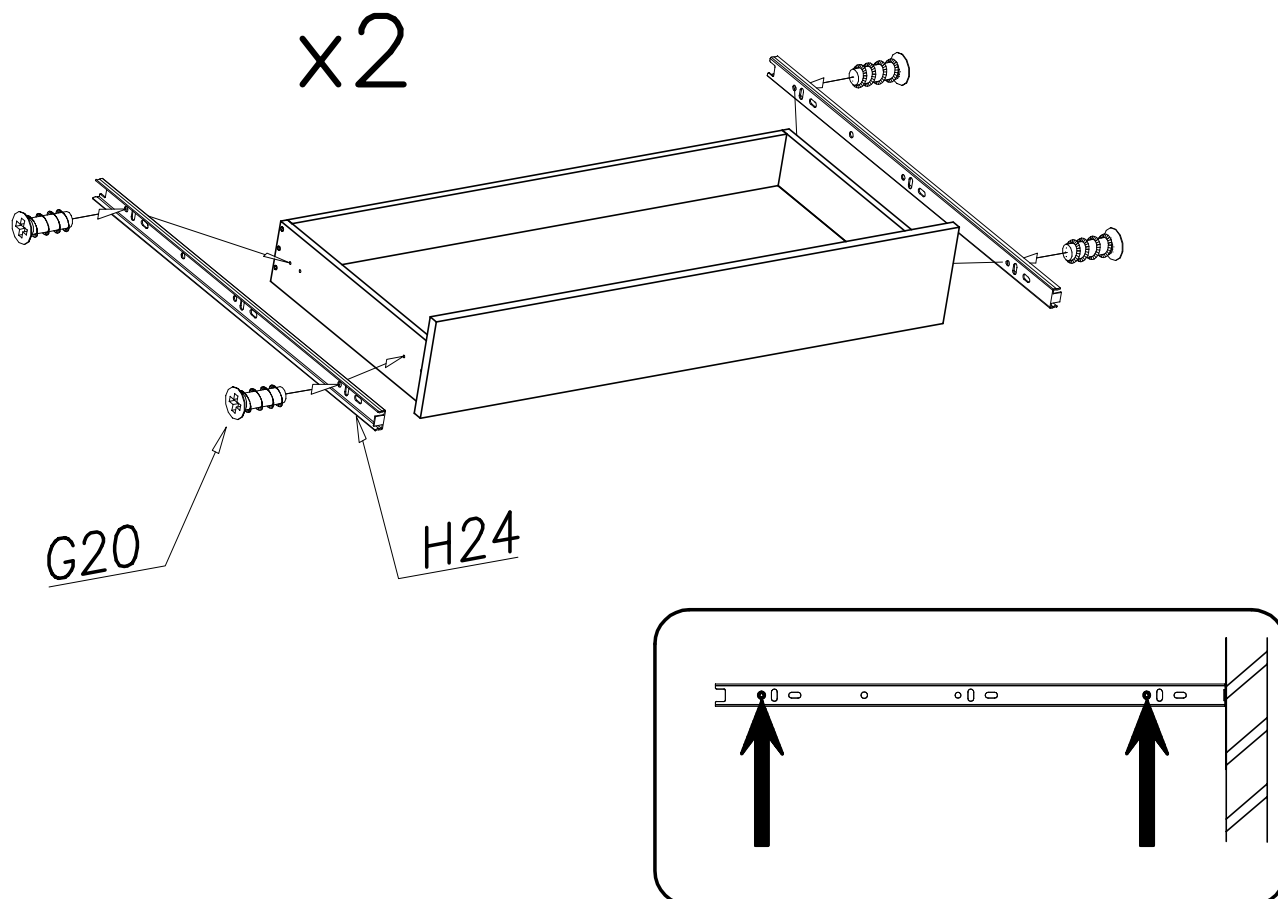
x2



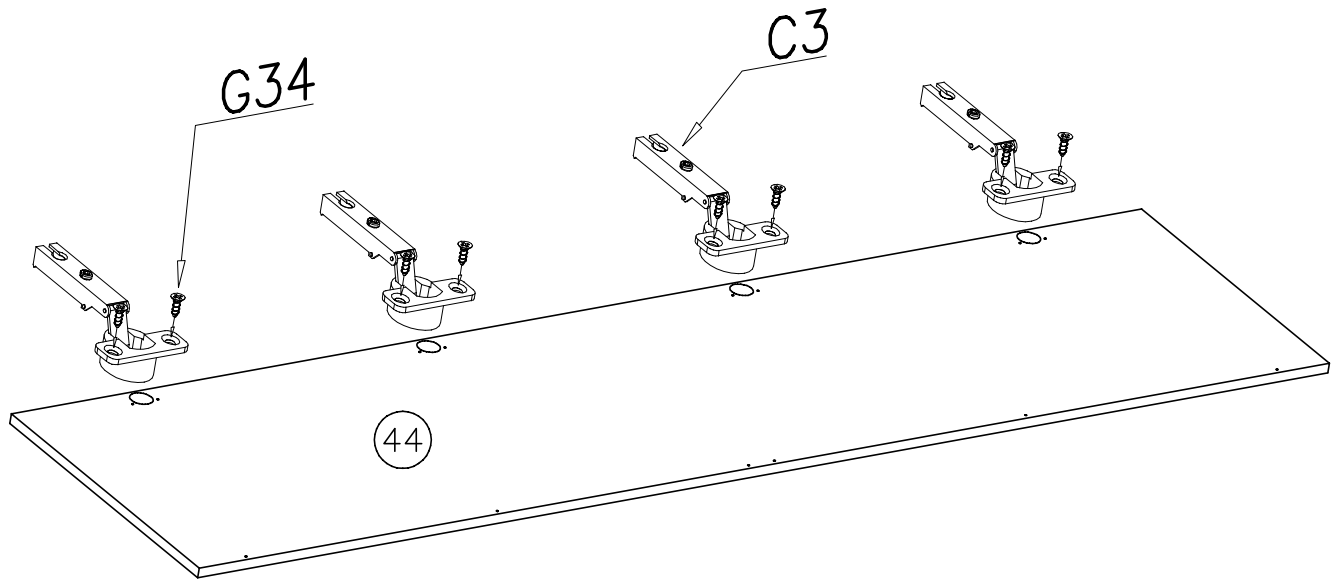
VI



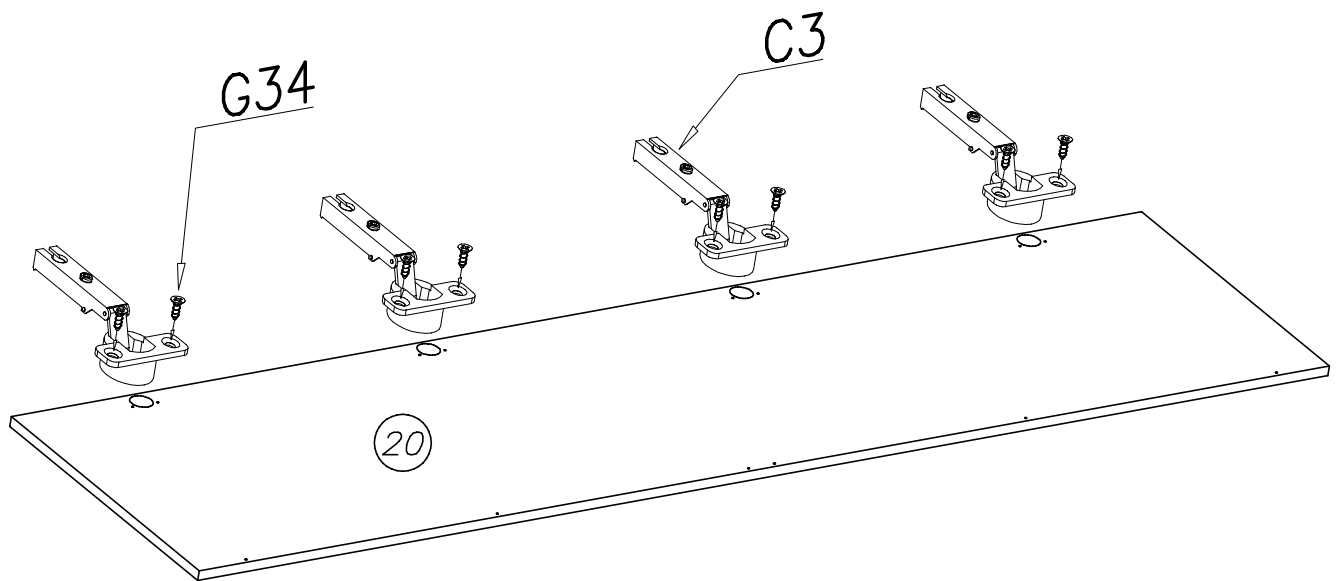
VII



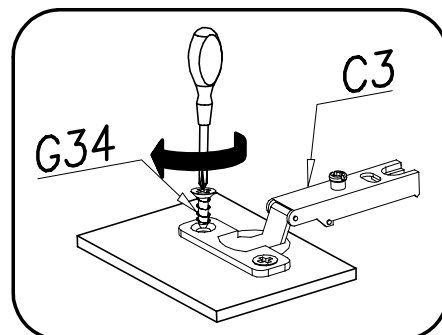
VIII



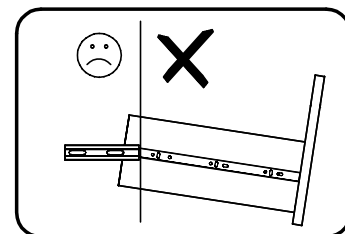
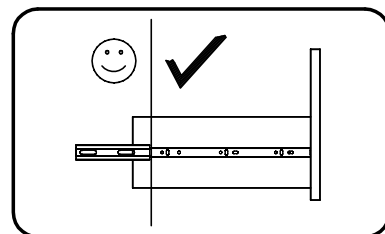
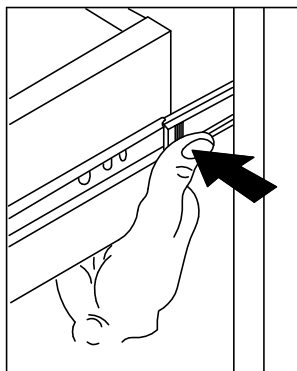
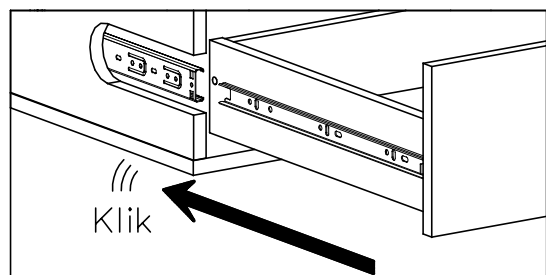
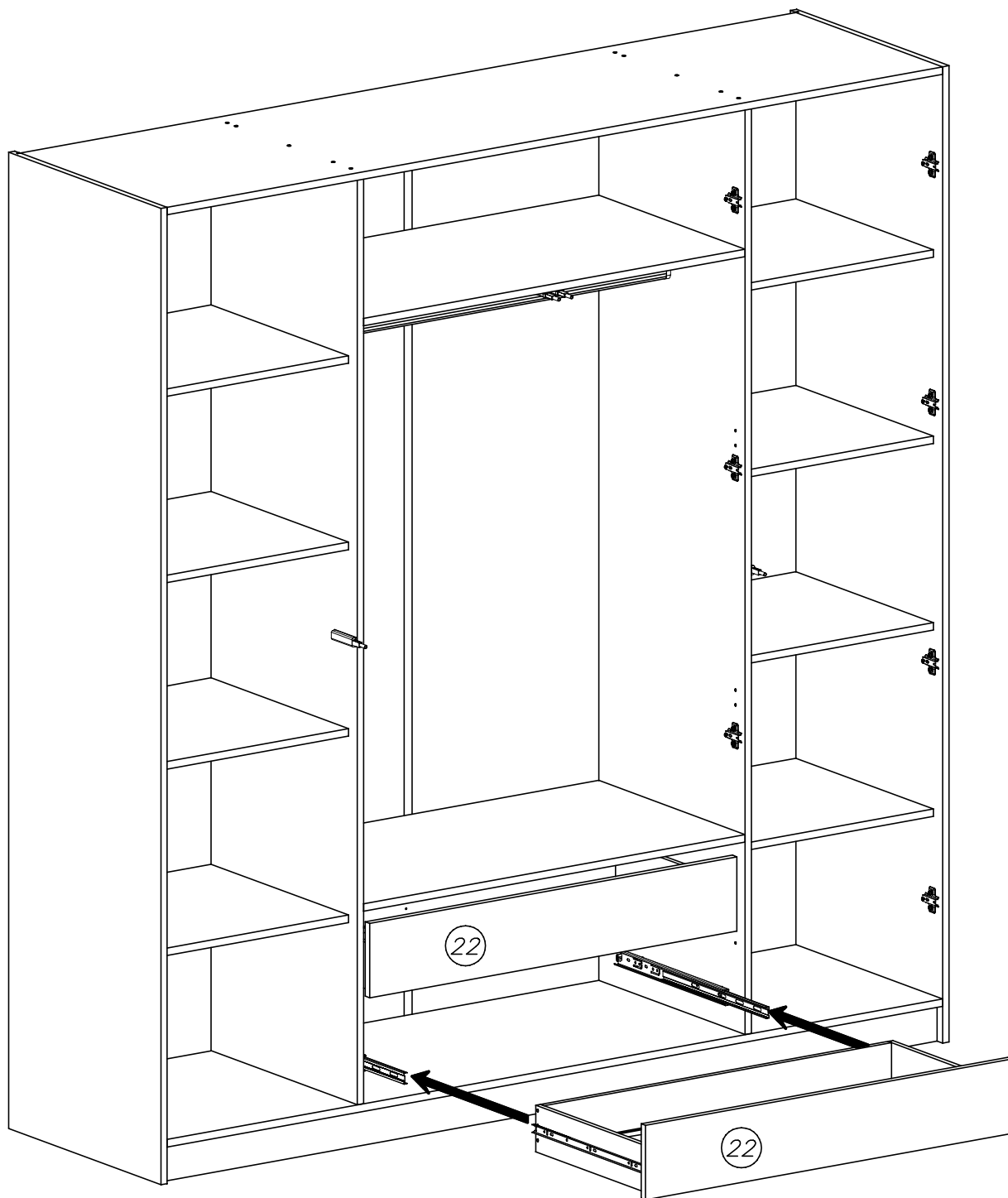
x2



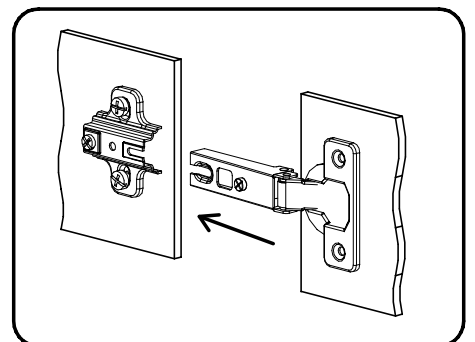
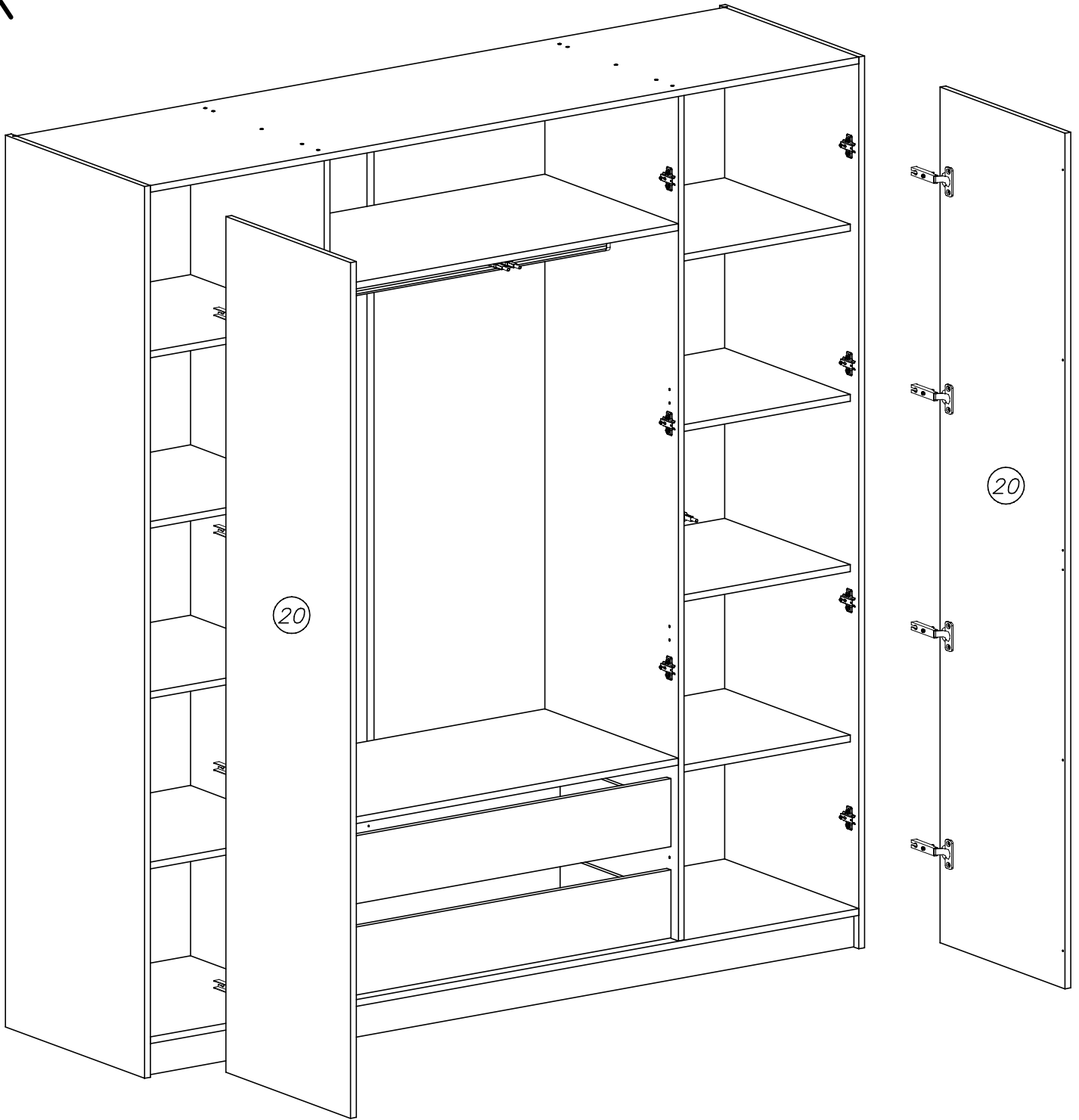
x2



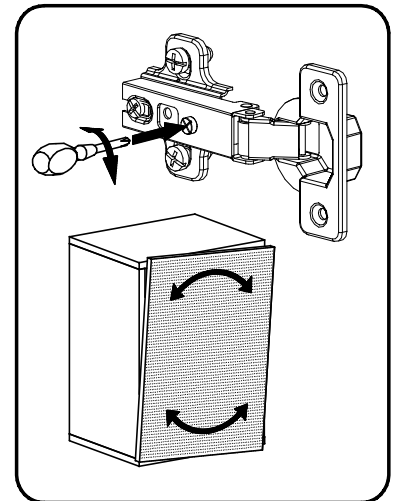
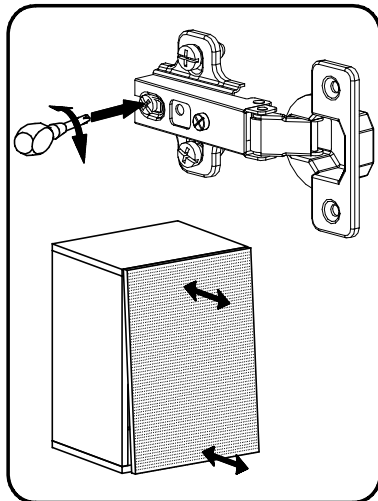
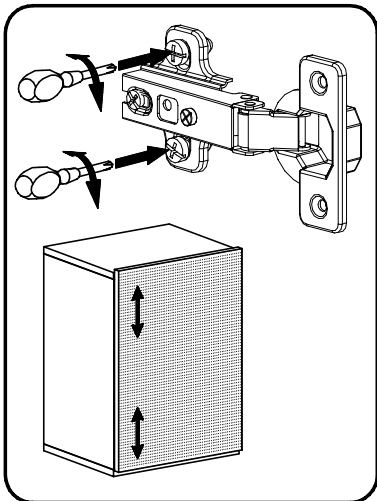
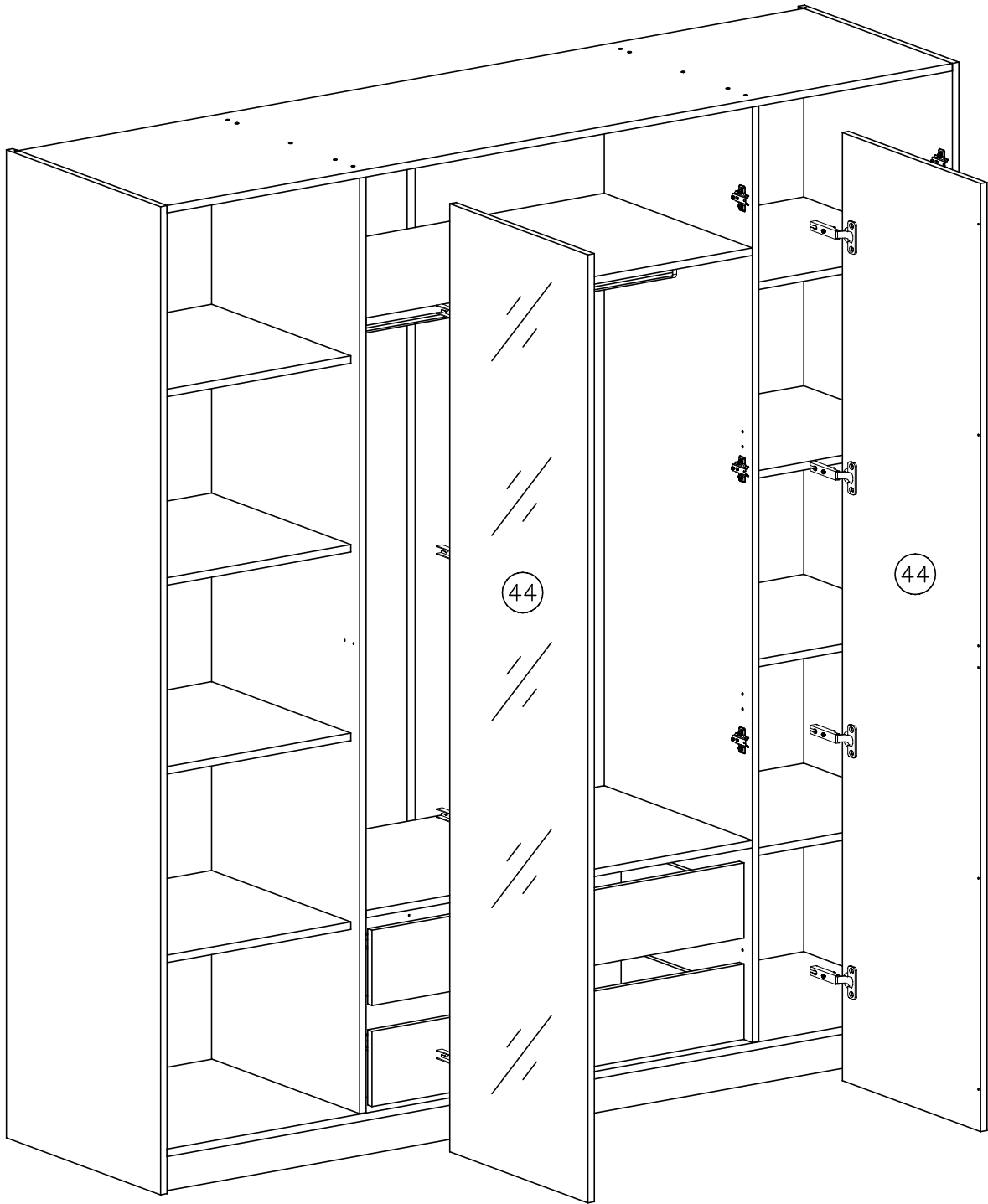
IX



X

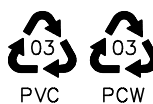
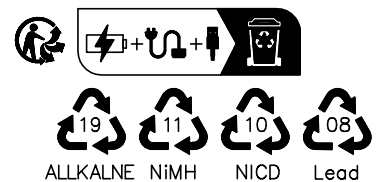
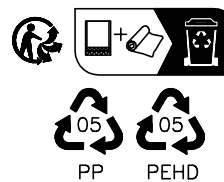
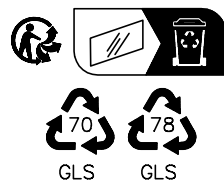
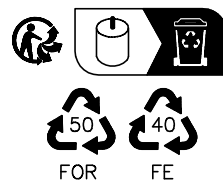
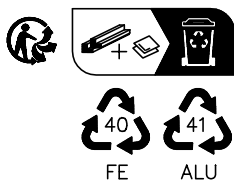
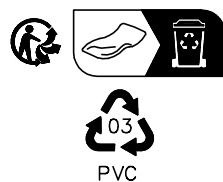
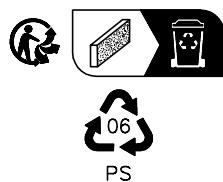
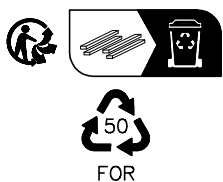
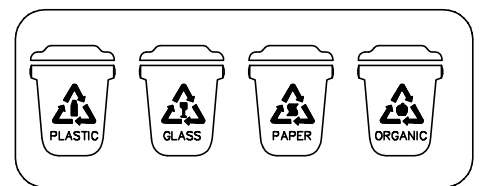
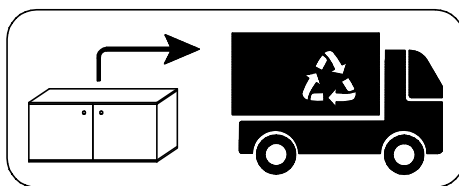
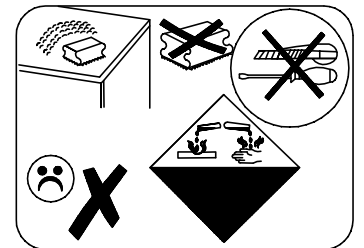
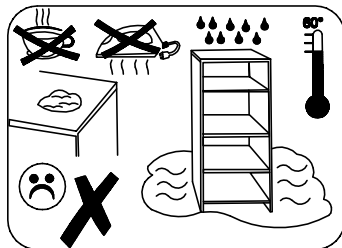
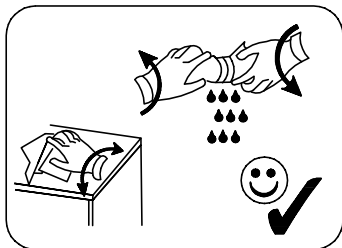
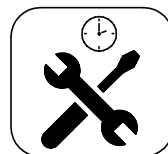
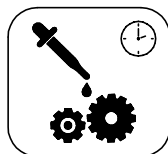
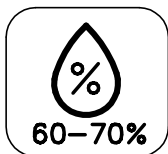
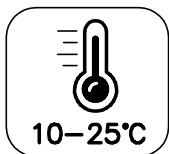
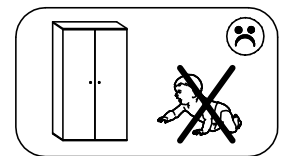
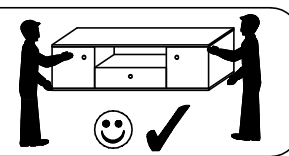
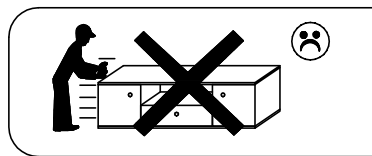
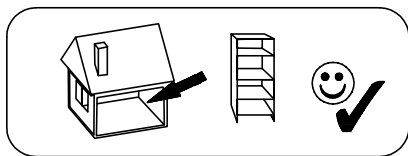
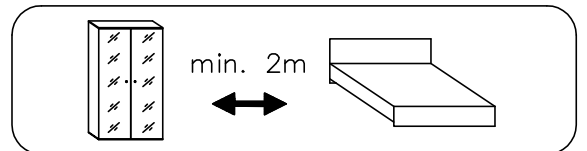
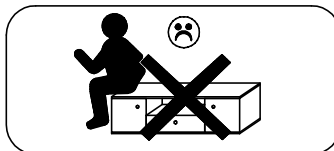
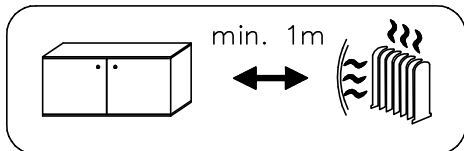
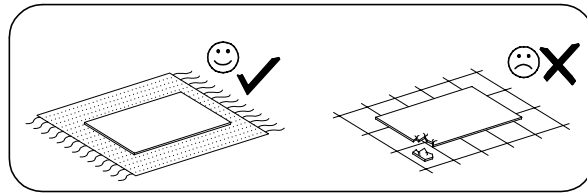
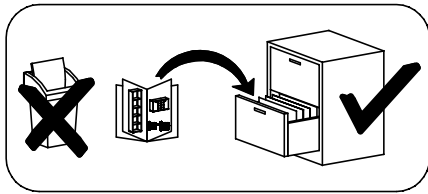


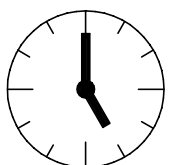
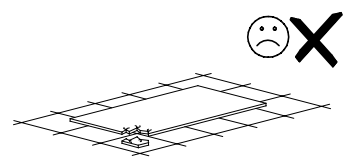
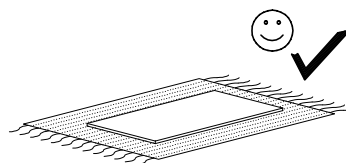
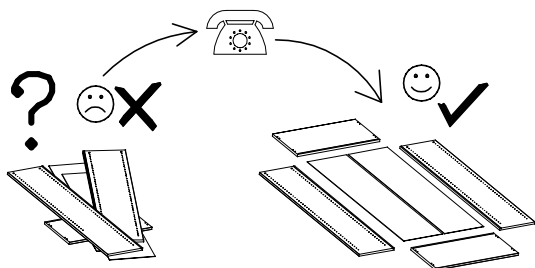
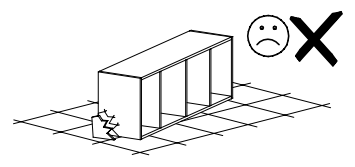
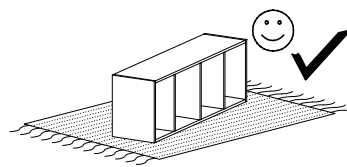
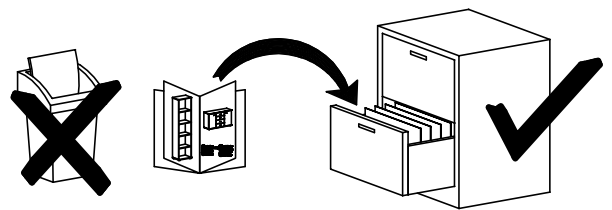
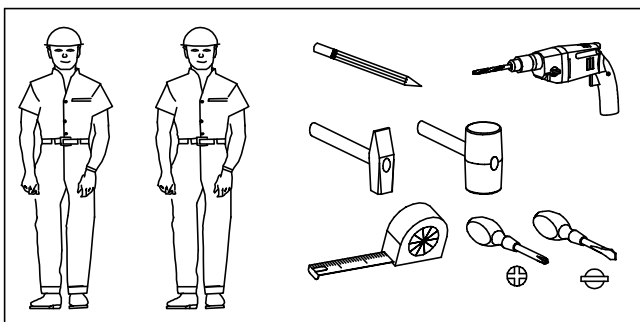
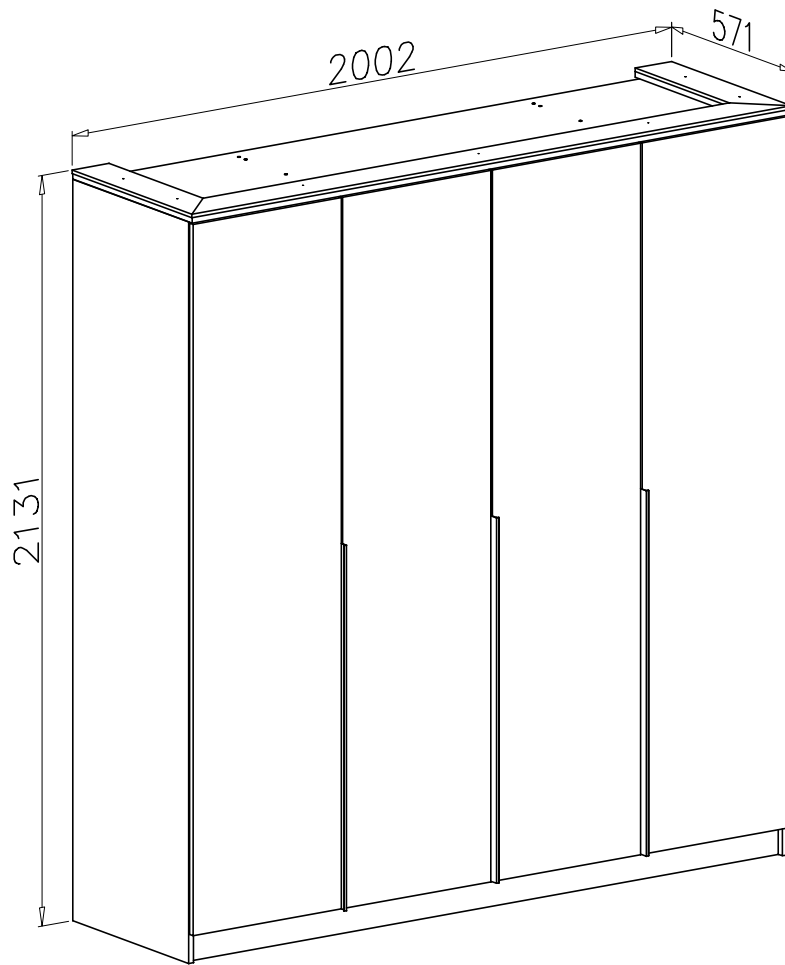
X



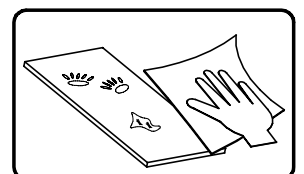
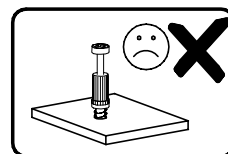
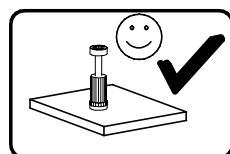


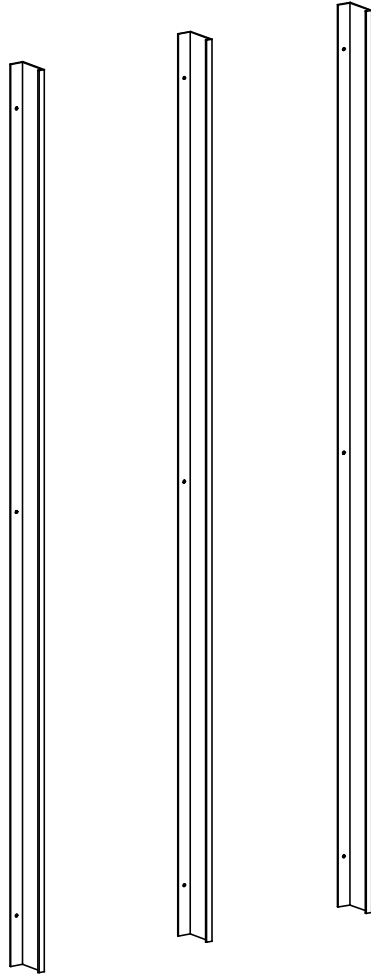
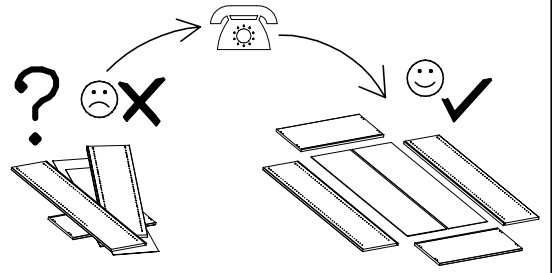
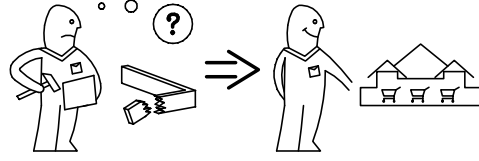
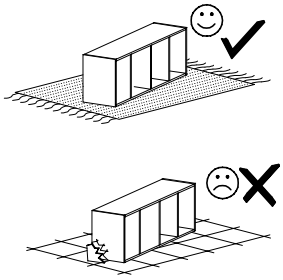
Uwaga • Upozornění • Achtung • Attention • Caution • Figyelem
 Attenzione • Opgelet • Внимание • Atenție • Upozornenie • Dikkat




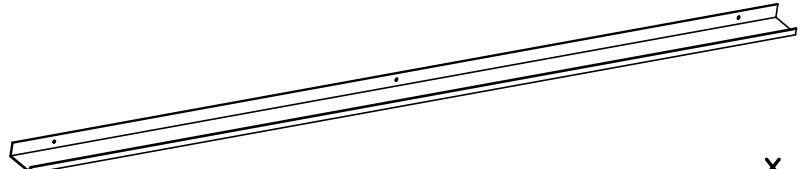


0,5h

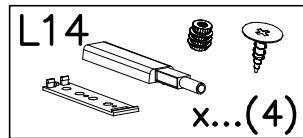
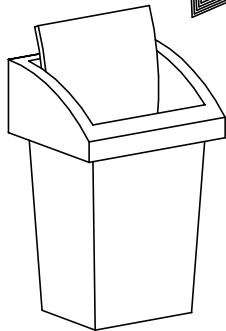
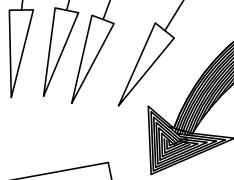
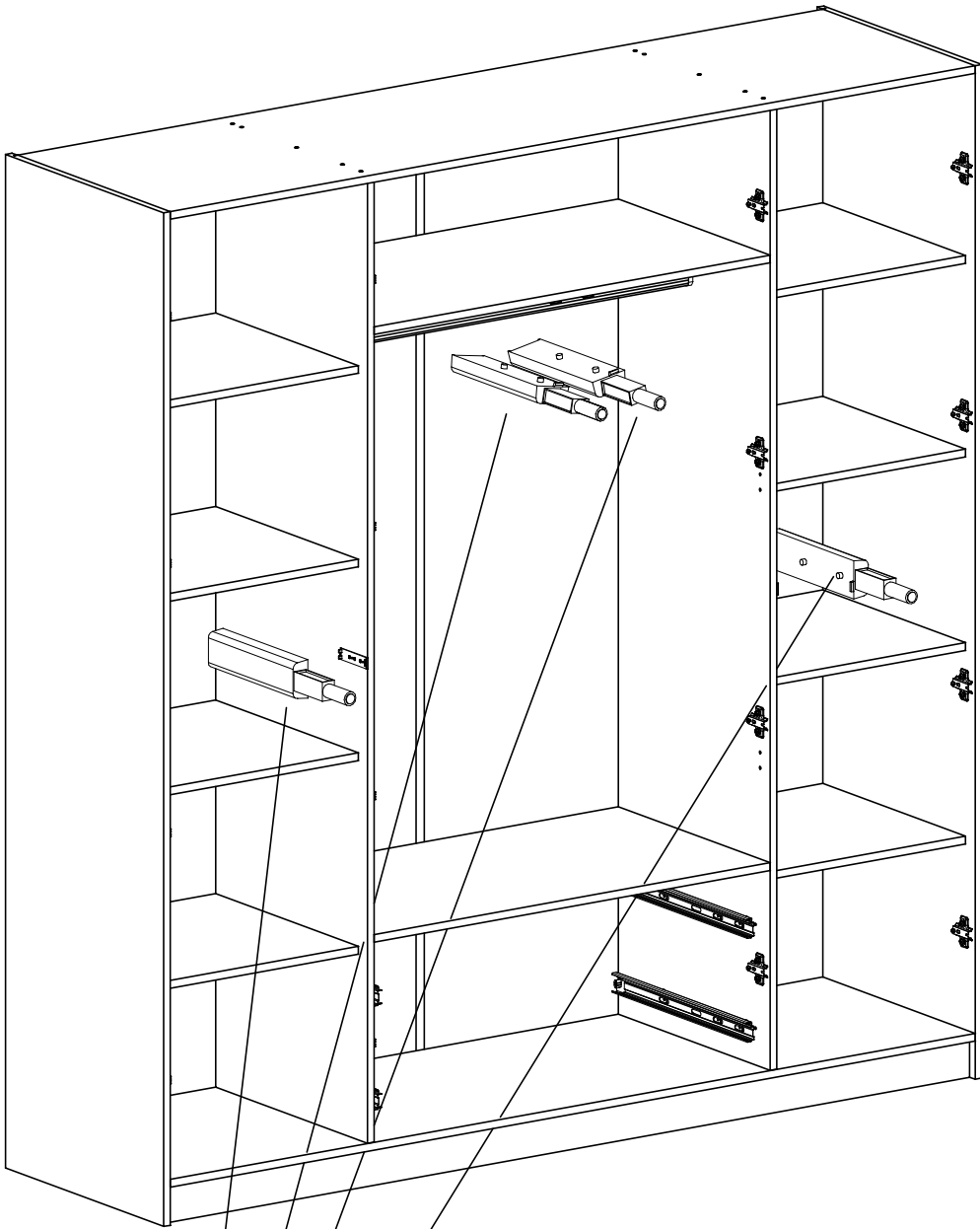




G6 
3x13 x...(9)

E39 
x...(3)

I



II

