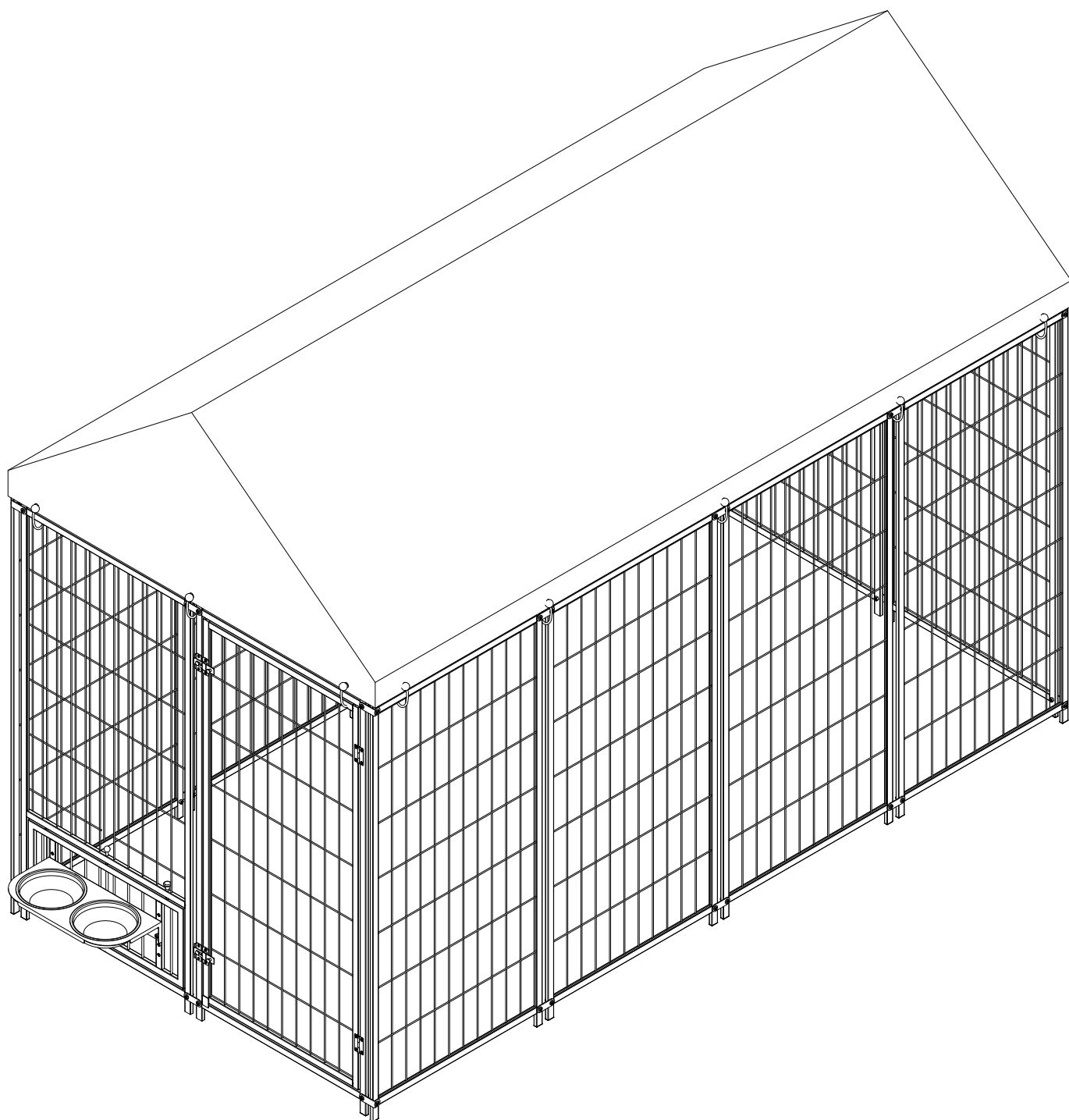


Assembly Instrusction

DGC132





General Guidelines

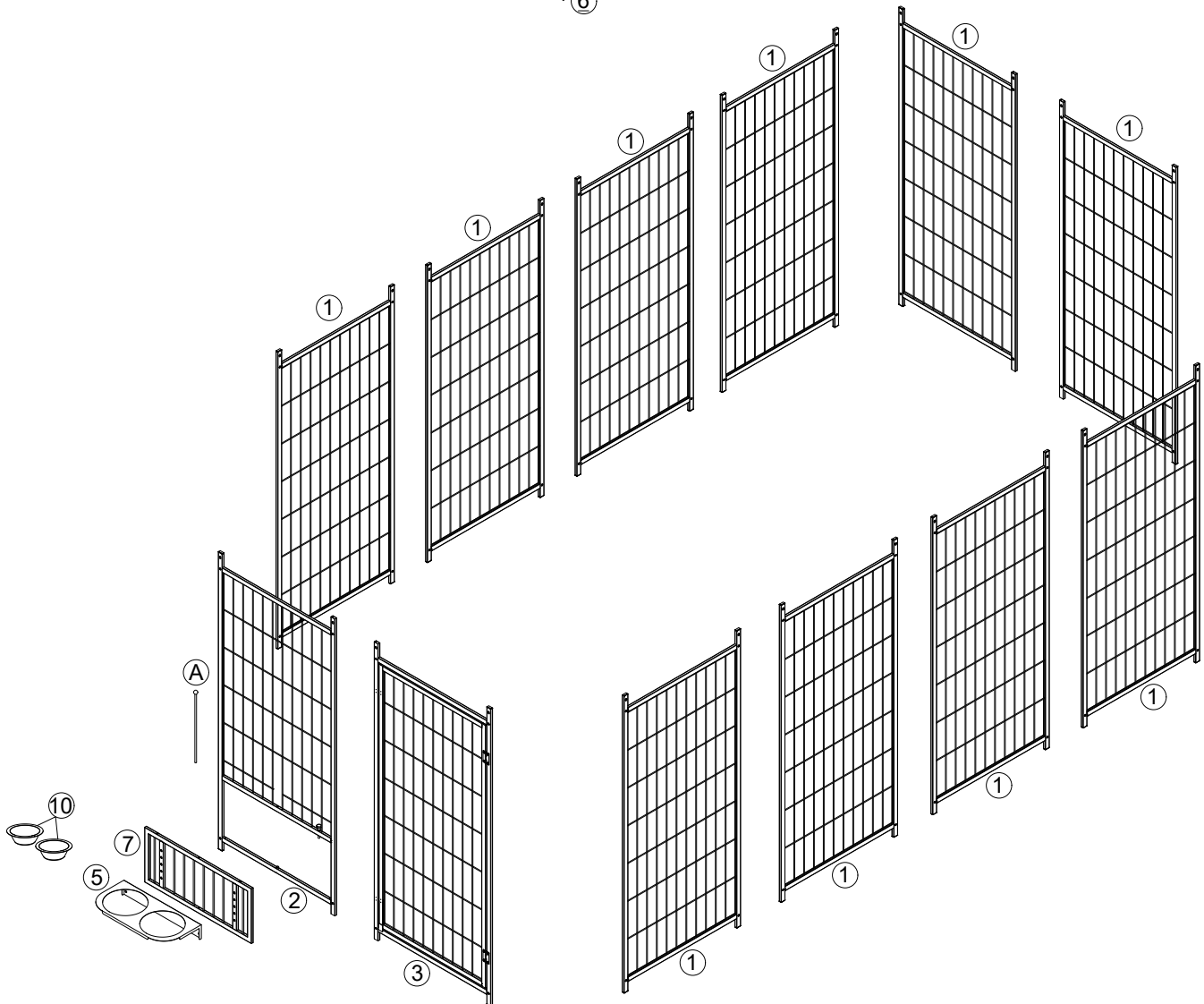
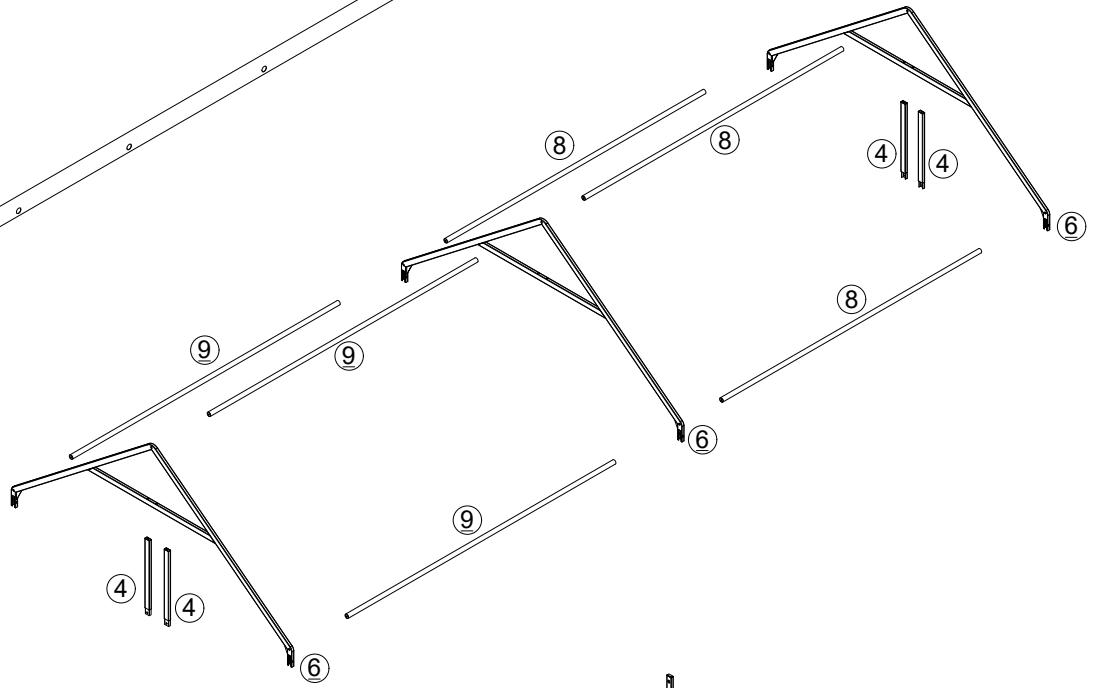
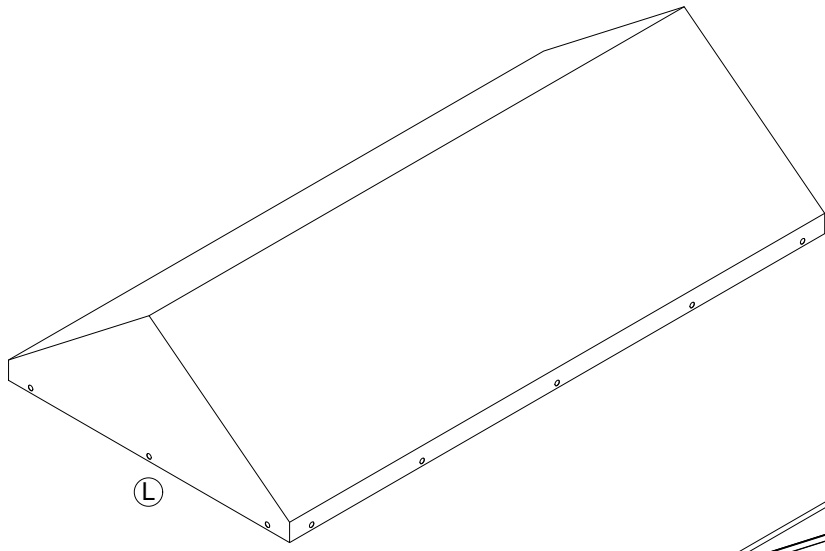
- Please read the following instructions carefully and use the product accordingly.
- Please keep this manual and hand it over when you transfer the product.
- This summary may not include every detail of all variations and considered steps. Please contact us when further information and help are needed.

Notes

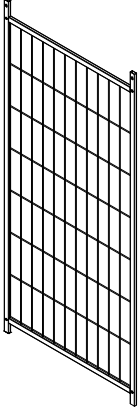
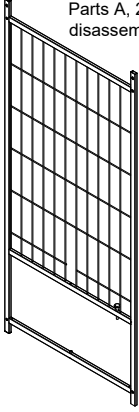
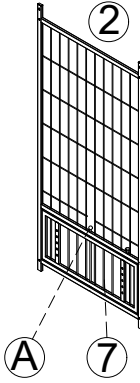
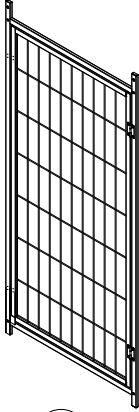

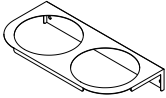
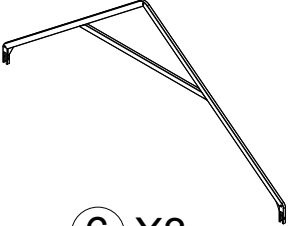
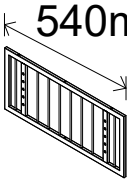
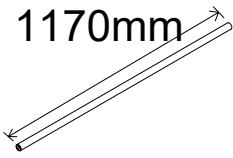
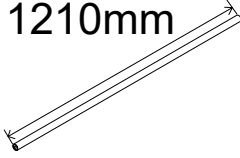

- The product must be assembled and used in accordance with the provisions of the manual.
- The seller does not assume any responsibility or liability with respect to any injury/damage caused by incorrect assembly or improper use.
- If there are any defective or missing parts after unpacking, please cease assembly immediately and contact us.
- Please assemble the item on a spacious surface and do not place the unwrapped product directly on the ground to avoid product damage.
- Please wear gloves during the assembly and/or disassembly process to avoid scratches from any sharp edges.
- Please match the corresponding part and fitting based on the part number in the manual.
- If the part does not match with the fitting, please check the piece as specified in this manual.
- During assembly, first loosely align all screws with the corresponding pre-drilled holes and then tighten the screws one by one.
- Periodically inspect screw tightness while the product is in use. If necessary, retighten to ensure structural integrity.
- Please keep the product away from sharp, pointed objects and corrosive substances to prevent product damage.
- Please place this item on level, solid ground during use.

Warnings


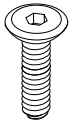
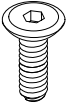

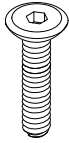


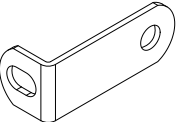
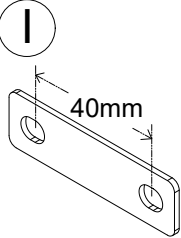



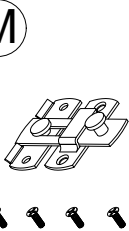
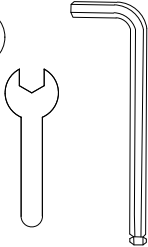
- During assembly, keep all small parts out of the reach of children. It may be fatal if swallowed or inhaled.
- Children should not climb or play on the product in order to avoid tipping over the furniture and causing serious injury.
- To avoid the potential dangers of suffocation, please keep all parts and packaging (film, plastic bags, foam, etc.) away from babies and children.
- Keep sharp objects and corrosive items away from the product to avoid any damage or injury.
- Do not shake or move violently during use to avoid tipping over the product.



Part list

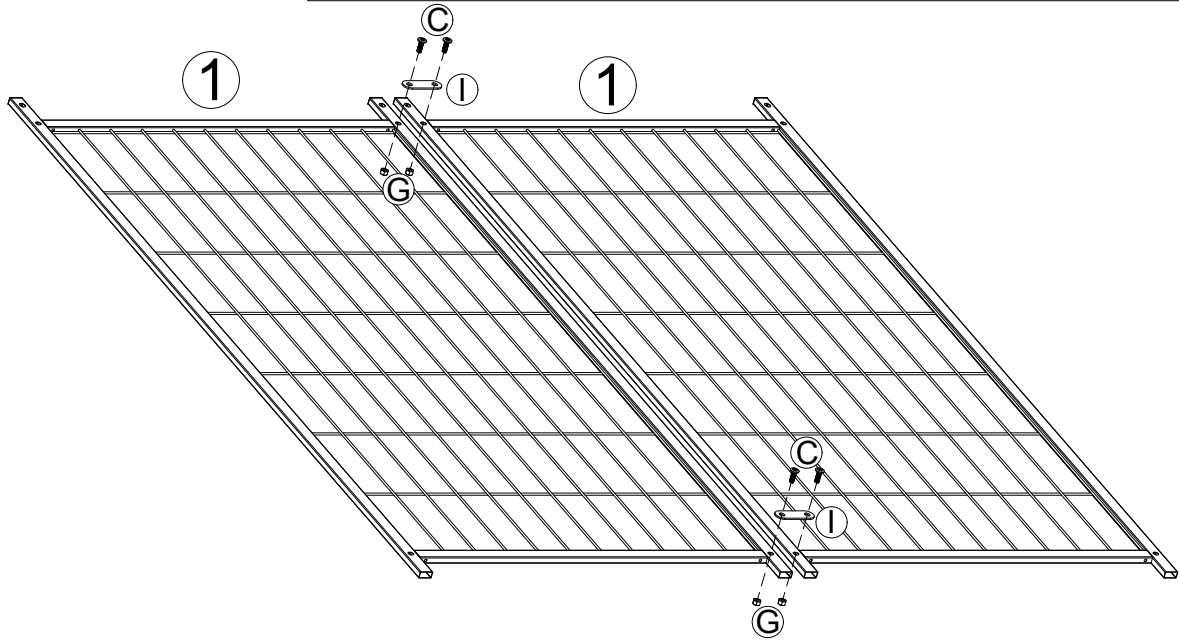
 <p>① X10</p>	<p>Parts A, 2, and 7 have been pre installed. Please disassemble and follow the steps to begin assembly</p>  <p>② X1</p>  <p>⑦ X1</p>	 <p>③ X1</p>	
 <p>301.5mm</p> <p>④ X4</p>	 <p>⑤ X1</p>	 <p>⑥ X3</p>	
 <p>540mm</p> <p>⑦ X1</p>	 <p>1170mm</p> <p>Short pipe</p> <p>⑧ X3</p>	 <p>1210mm</p> <p>Long tube</p> <p>⑨ X3</p>	 <p>⑩ X2</p>

Hardware list

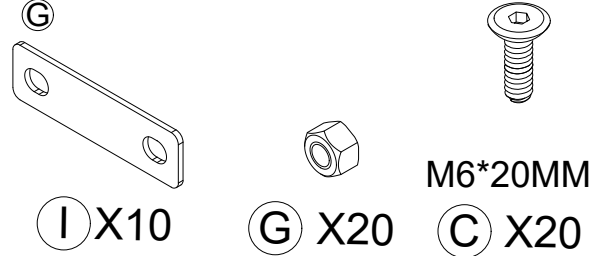
<p>① A</p> 	<p>② B</p>  <p>M6*30MM</p>	<p>③ C</p>  <p>M6*20MM</p>	<p>④ D</p>  <p>M6*12MM</p>	<p>⑤ E</p>  <p>M6*40MM</p>	<p>⑥ F</p>  <p>M6*20MM/20MM</p>	<p>⑦ G</p> 
<p>1pcs</p>	<p>12pcs (Extra 1)</p>	<p>52pcs (Extra 3)</p>	<p>4pcs (Extra 1)</p>	<p>4pcs (Extra 1)</p>	<p>3pcs (Extra 1)</p>	<p>58pcs (Extra 3)</p>
<p>⑧ H</p> 	<p>⑨ I</p>  <p>40mm</p>	<p>⑩ J</p> 	<p>⑪ K</p> 	<p>⑫ L</p> 	<p>⑬ M</p> 	<p>⑭ N</p> 
<p>8pcs (Extra 1)</p>	<p>16pcs (Extra 1)</p>	<p>16pcs (Extra 1)</p>	<p>6pcs (Extra1)</p>	<p>1pcs</p>	<p>2PCS</p>	<p>1PCS</p>

1

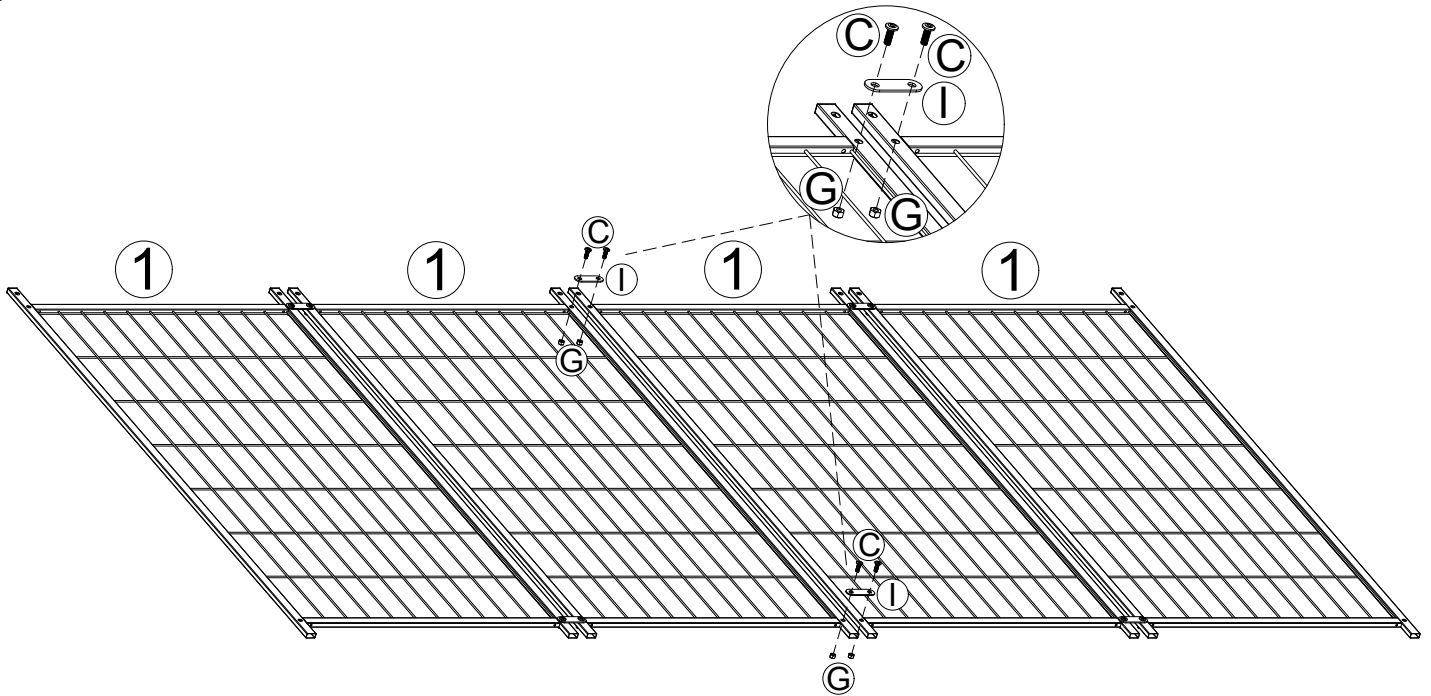
To maintain aesthetics, pay attention to keeping the horizontal and vertical iron wires consistent on both sides during assembly



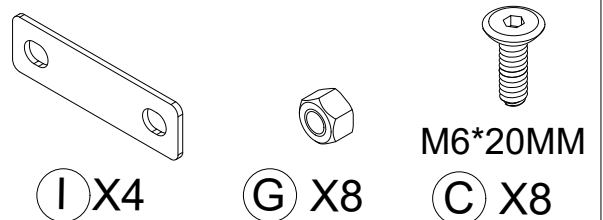
Combination 1 X5



2 Combine four sets of combination 1 into two sets of combination 2

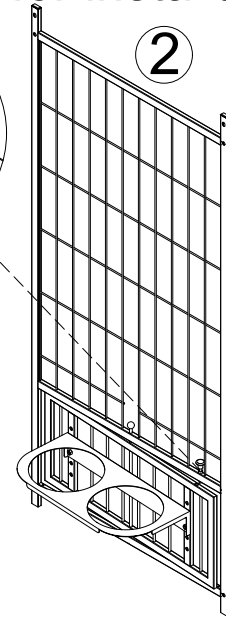
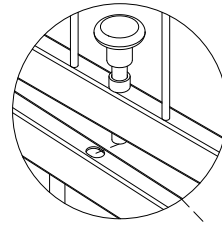
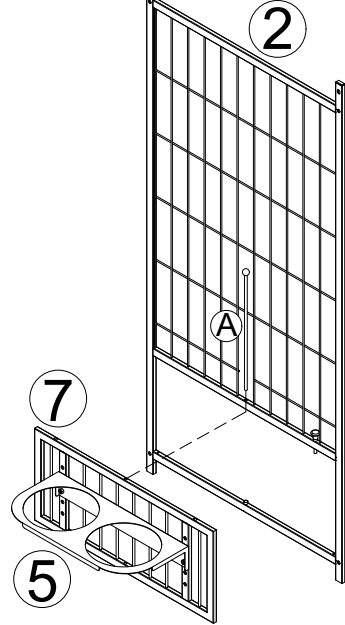
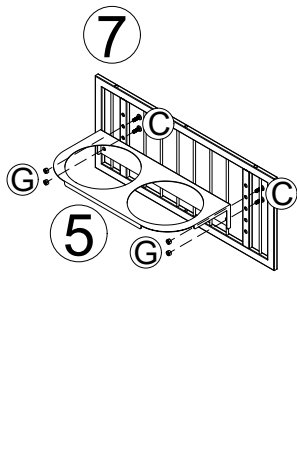


Combination 2 X2

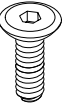


3

Pulling and lifting for installation



(G) X4



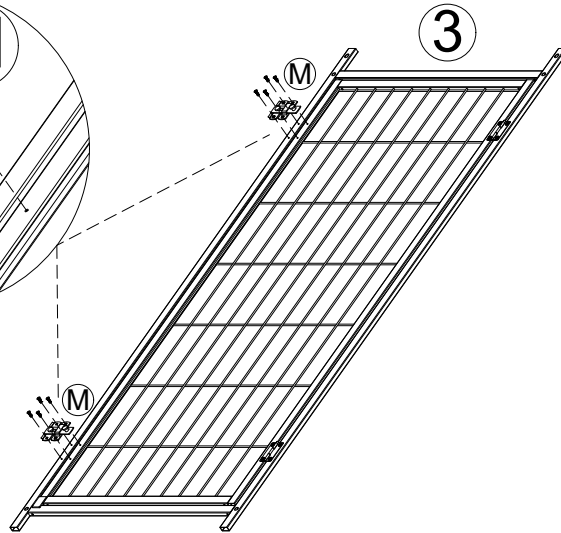
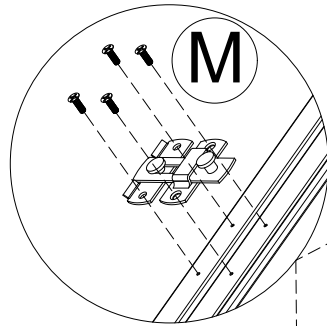
M6*20MM

(C) X4



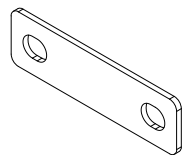
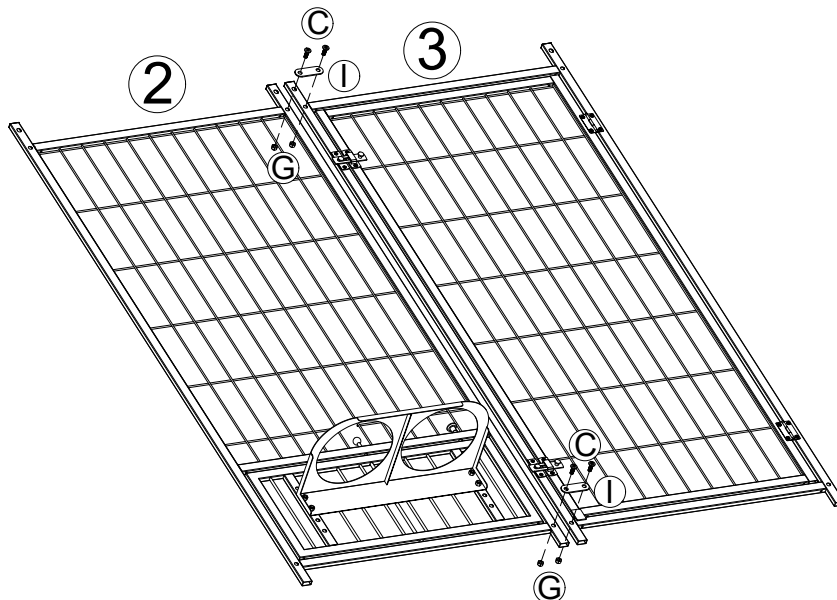
(A) X1

4



(M) X2

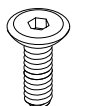
5



(I) X2



(G) X4

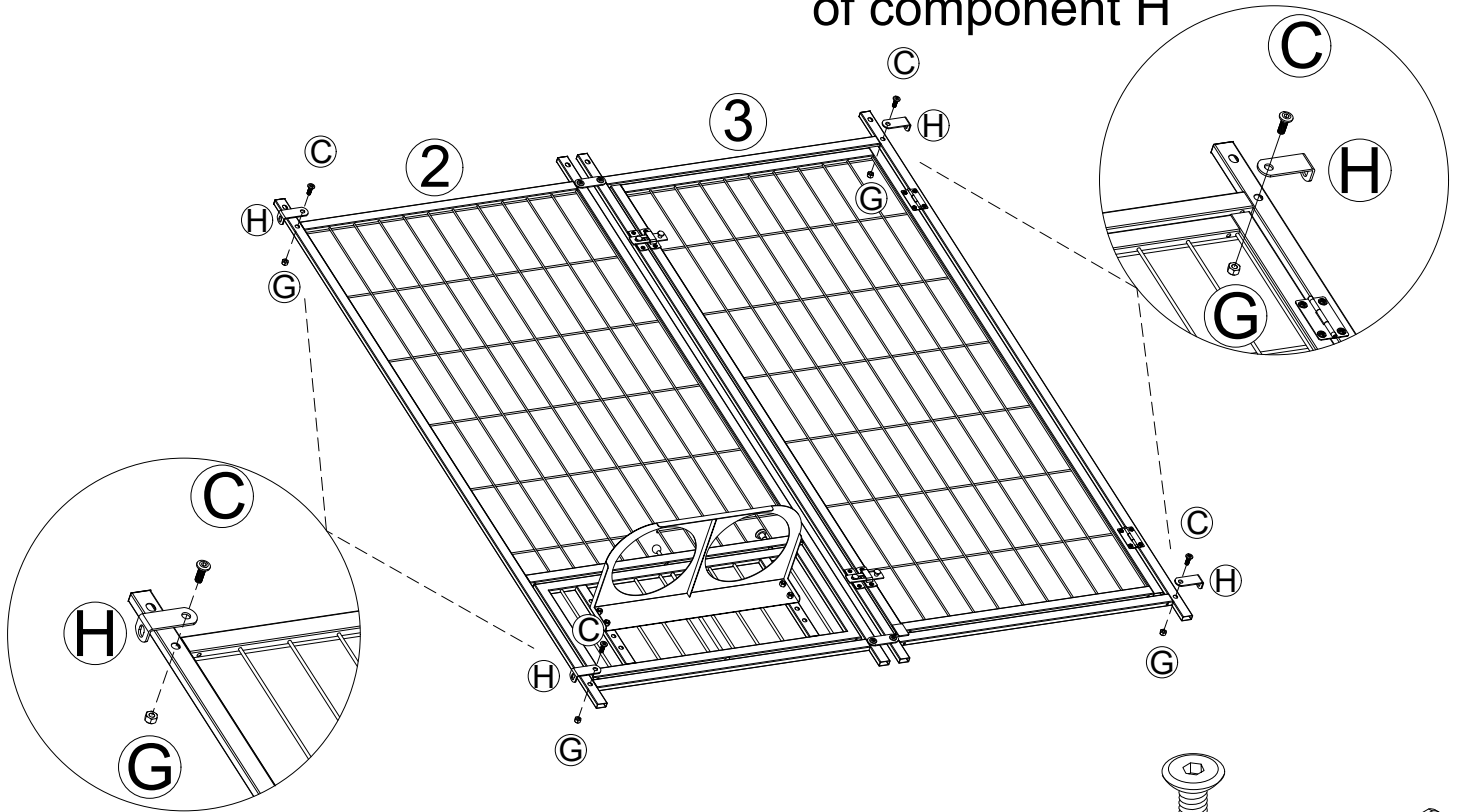


M6*20MM

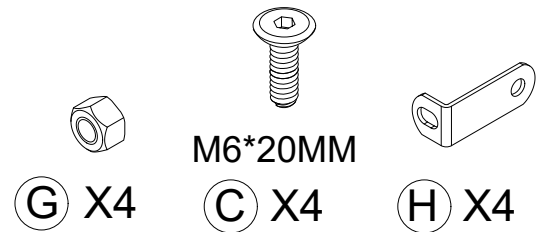
(C) X4

6

! Pay attention to the direction of component H

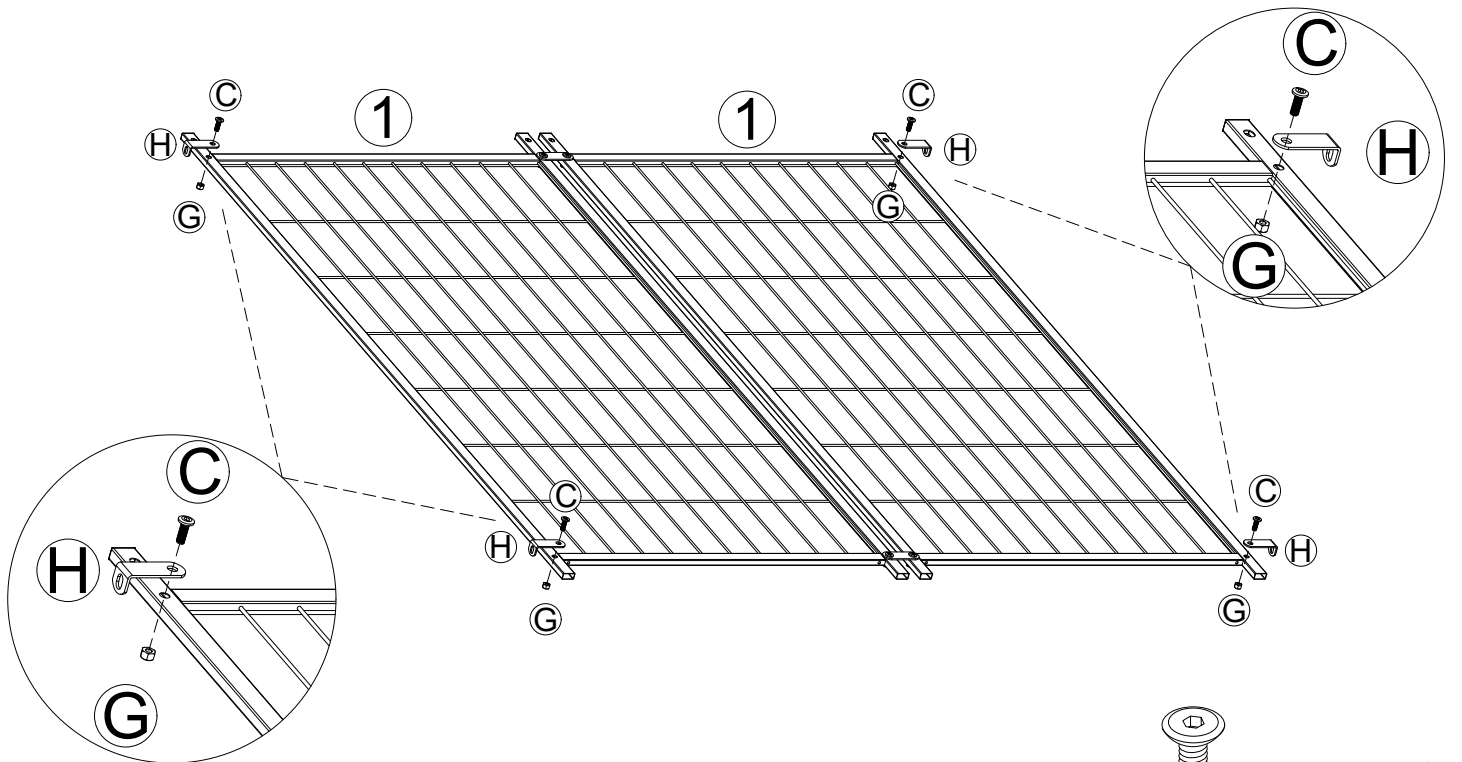


! Pay attention to the direction of component H

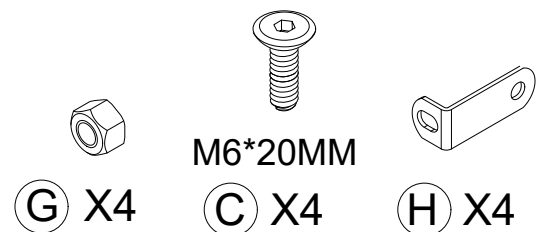


7 Install using combination 1

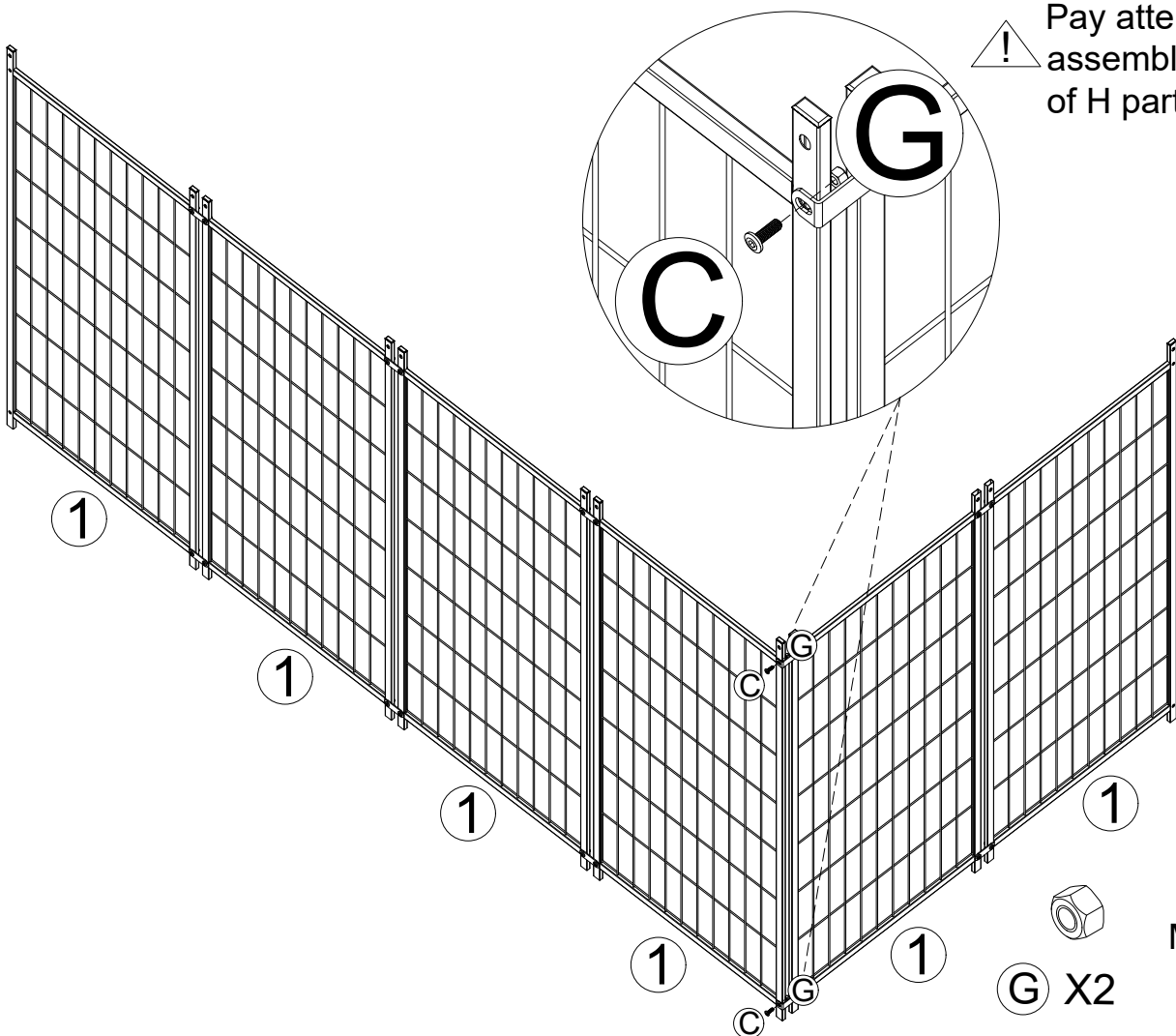
! Pay attention to the direction of component H



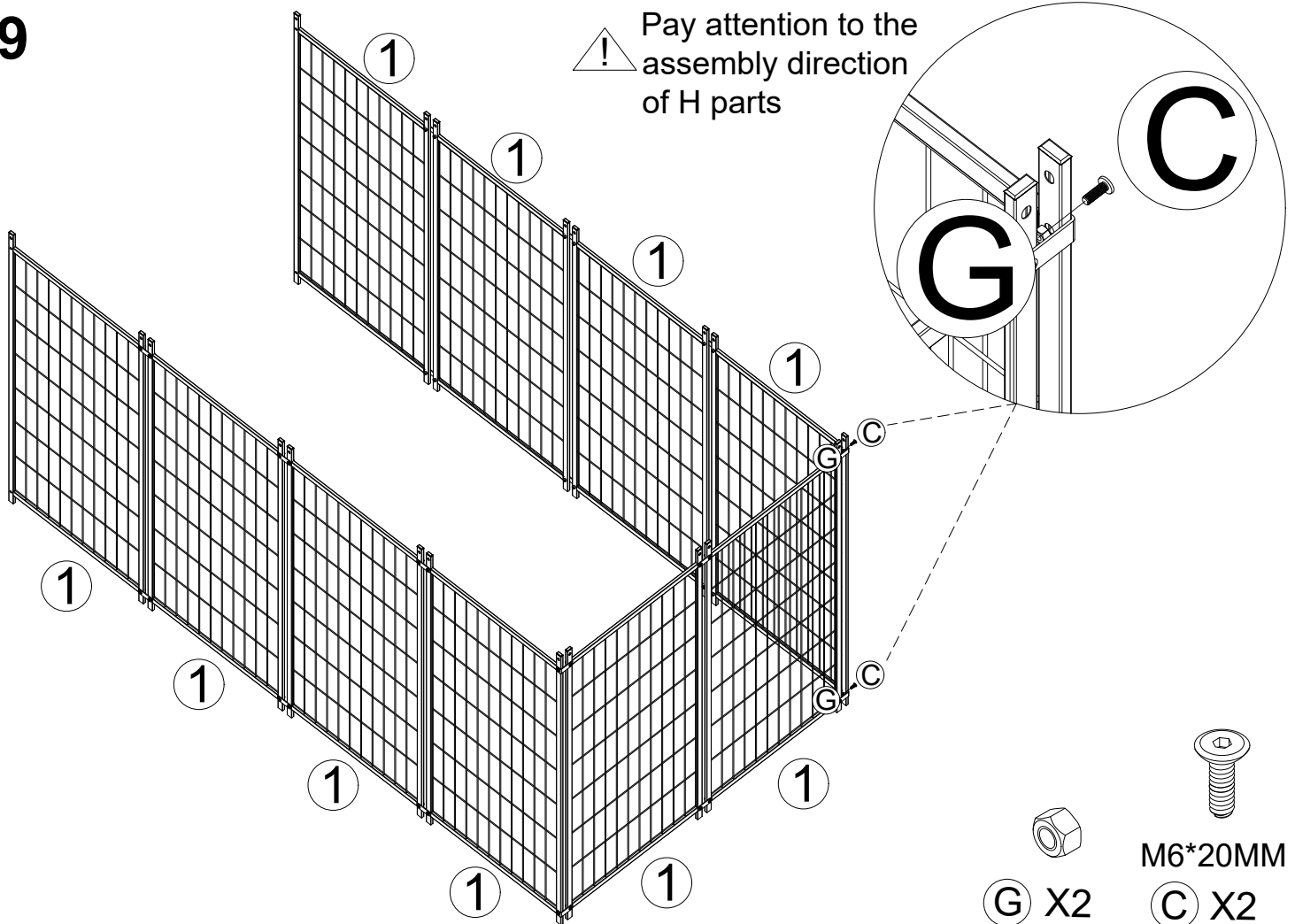
! Pay attention to the direction of component H



8

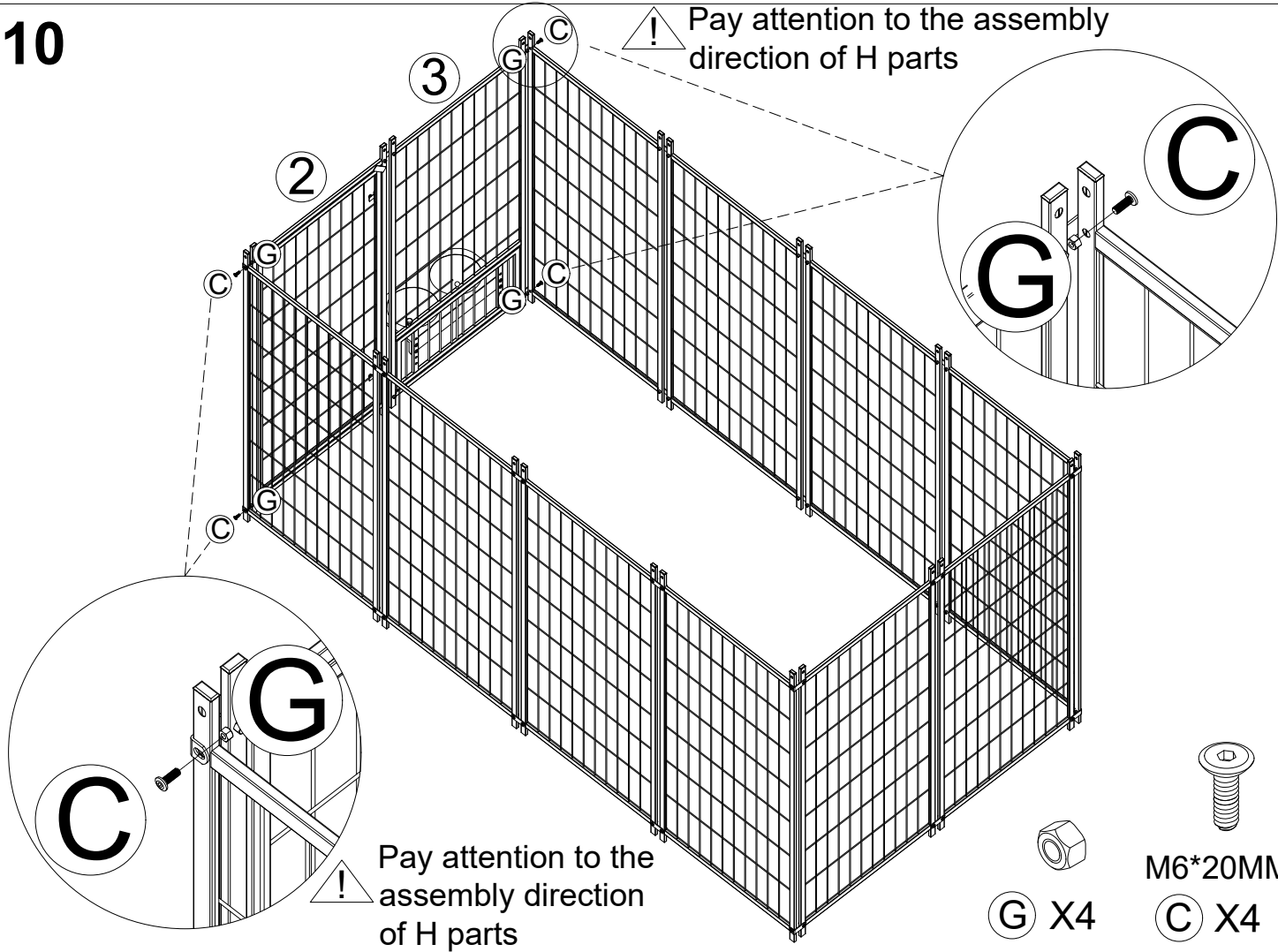


9



10

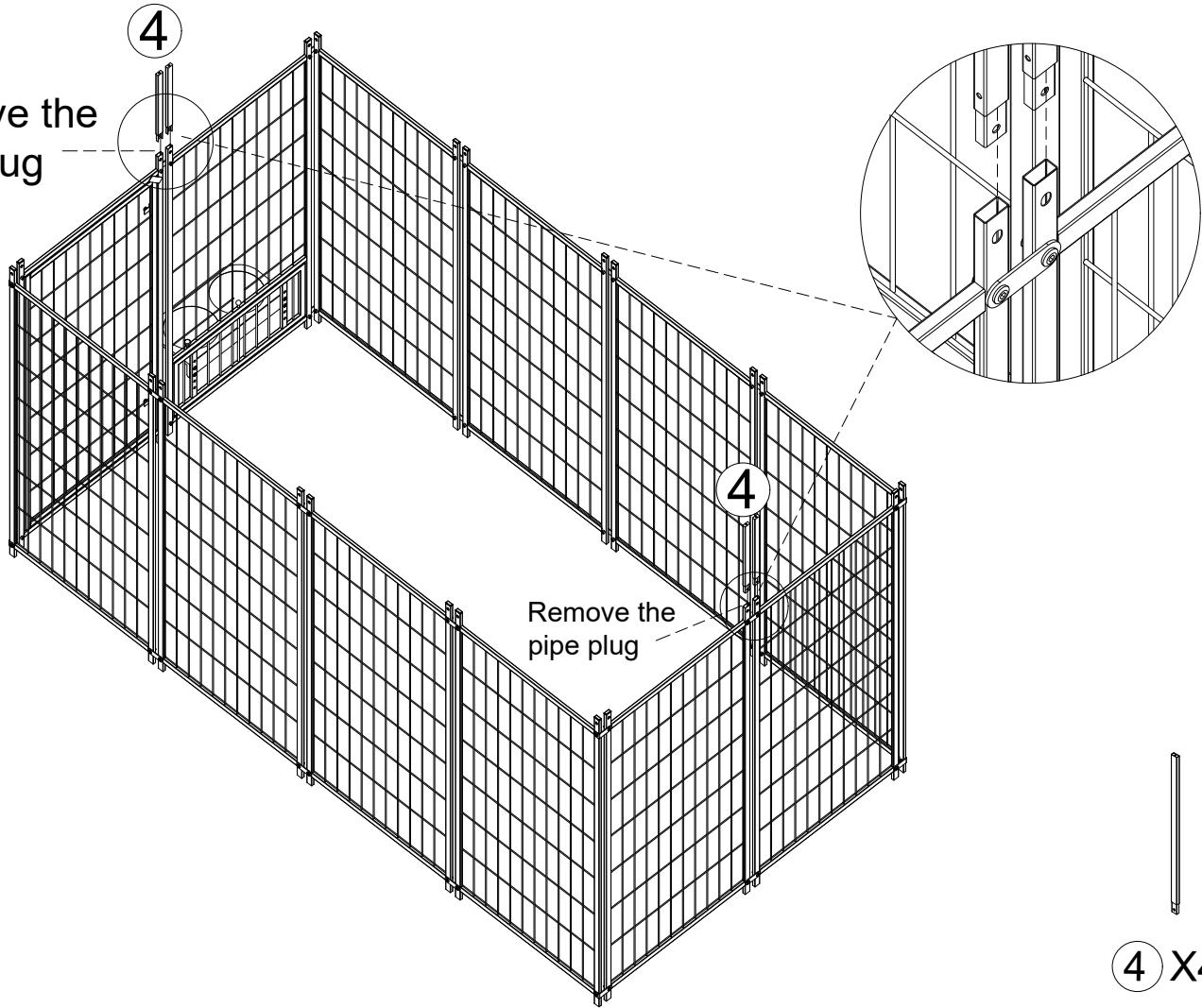
! Pay attention to the assembly direction of H parts



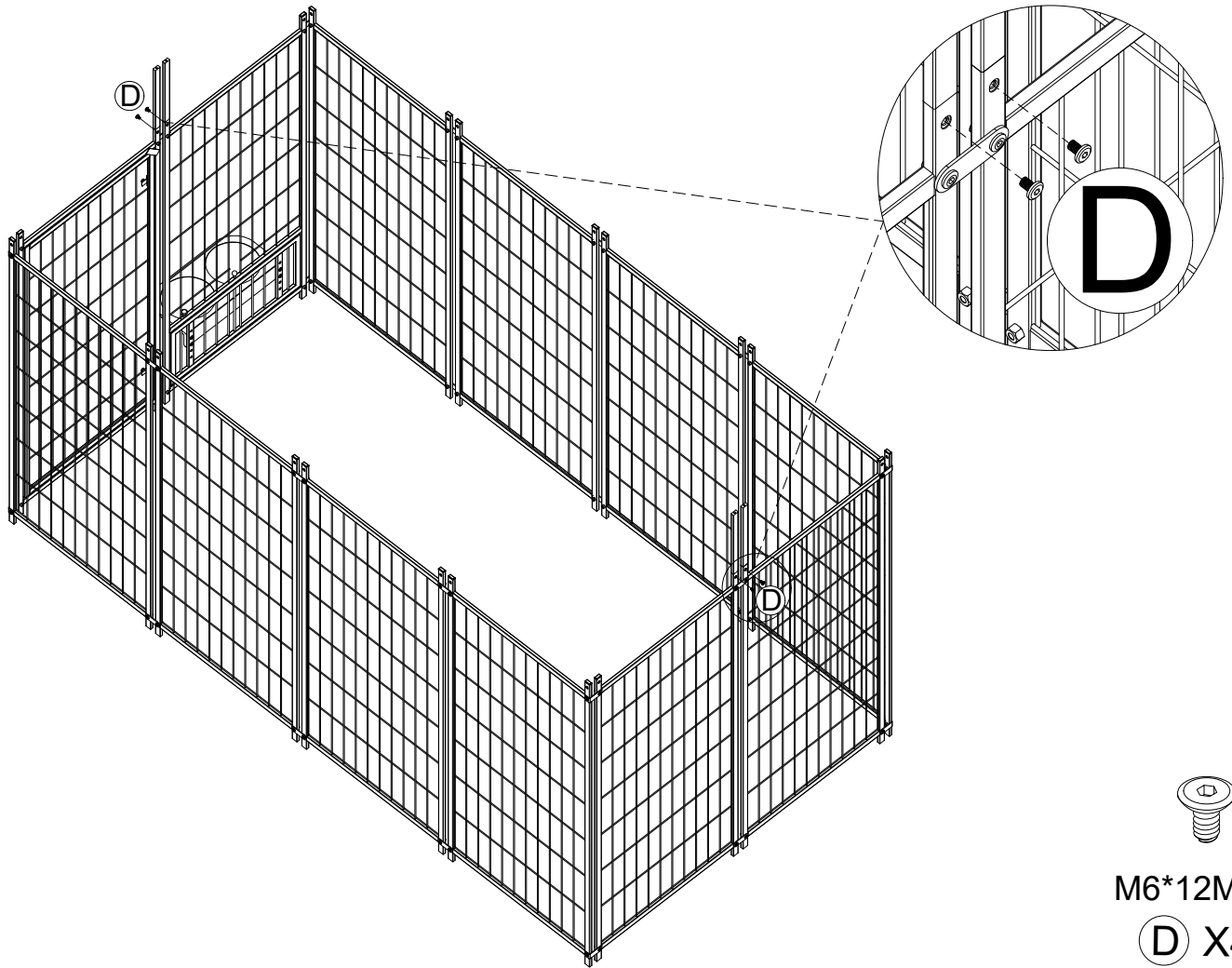
11


Remove the pipe plug

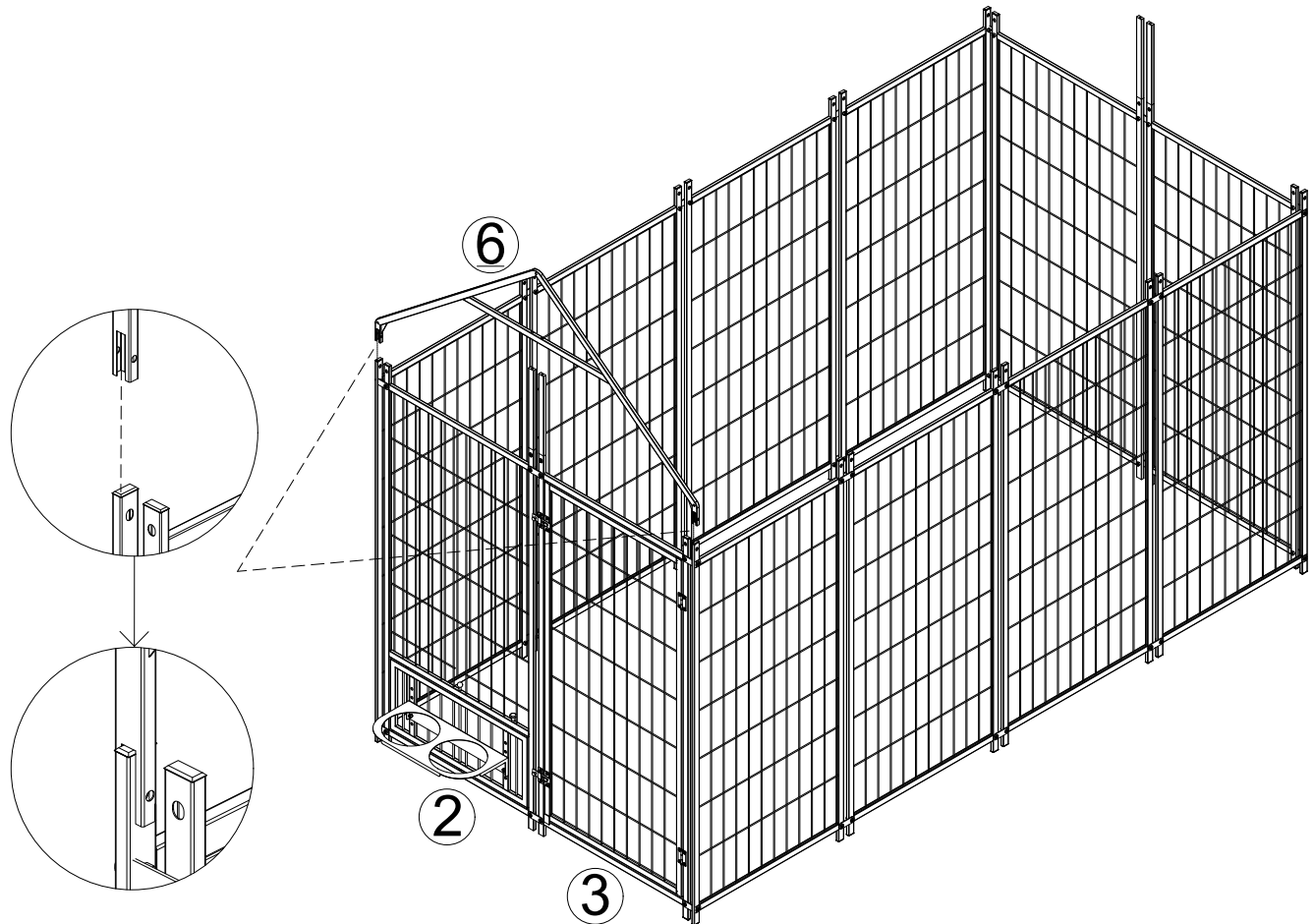
Remove the pipe plug



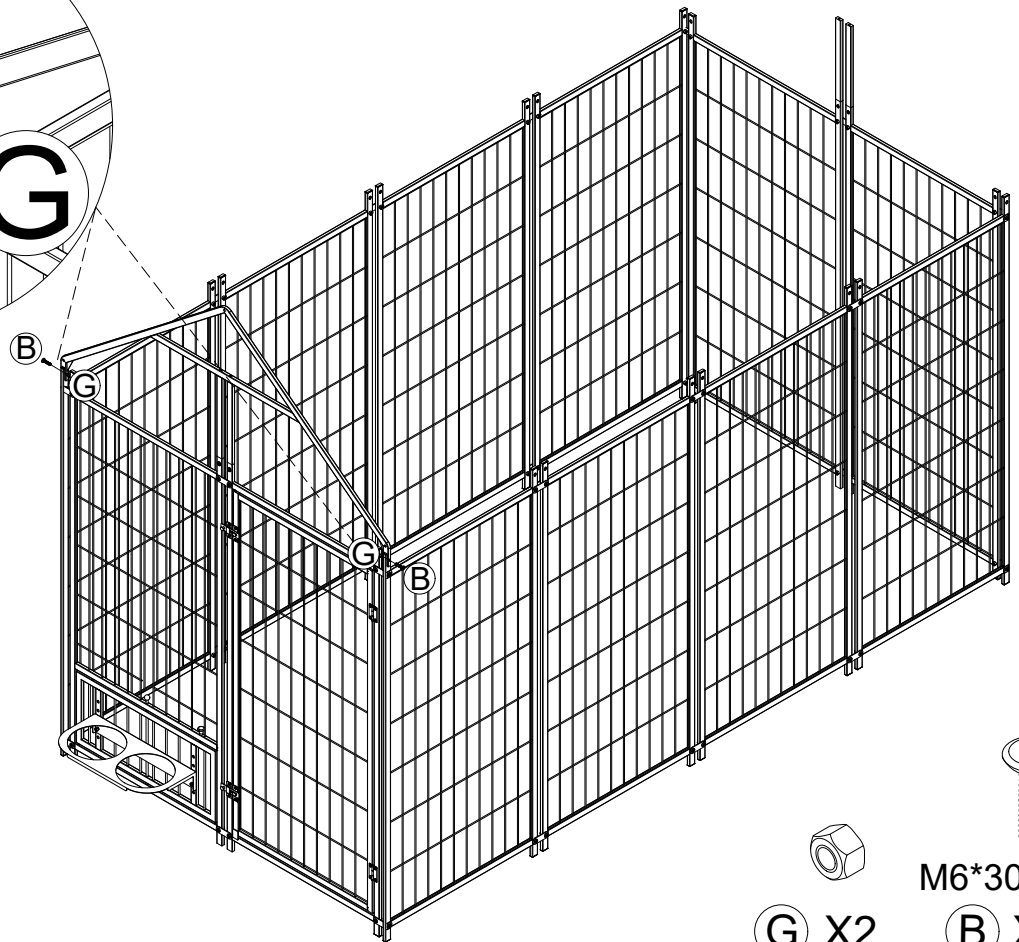
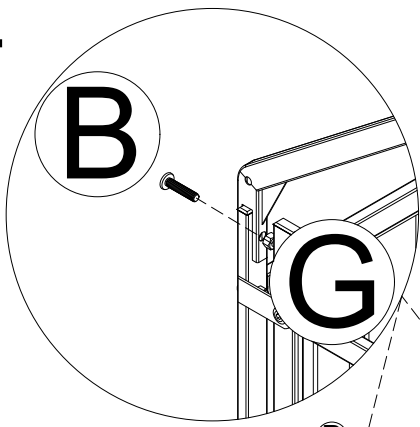
12



13  Rotate to the front for installation

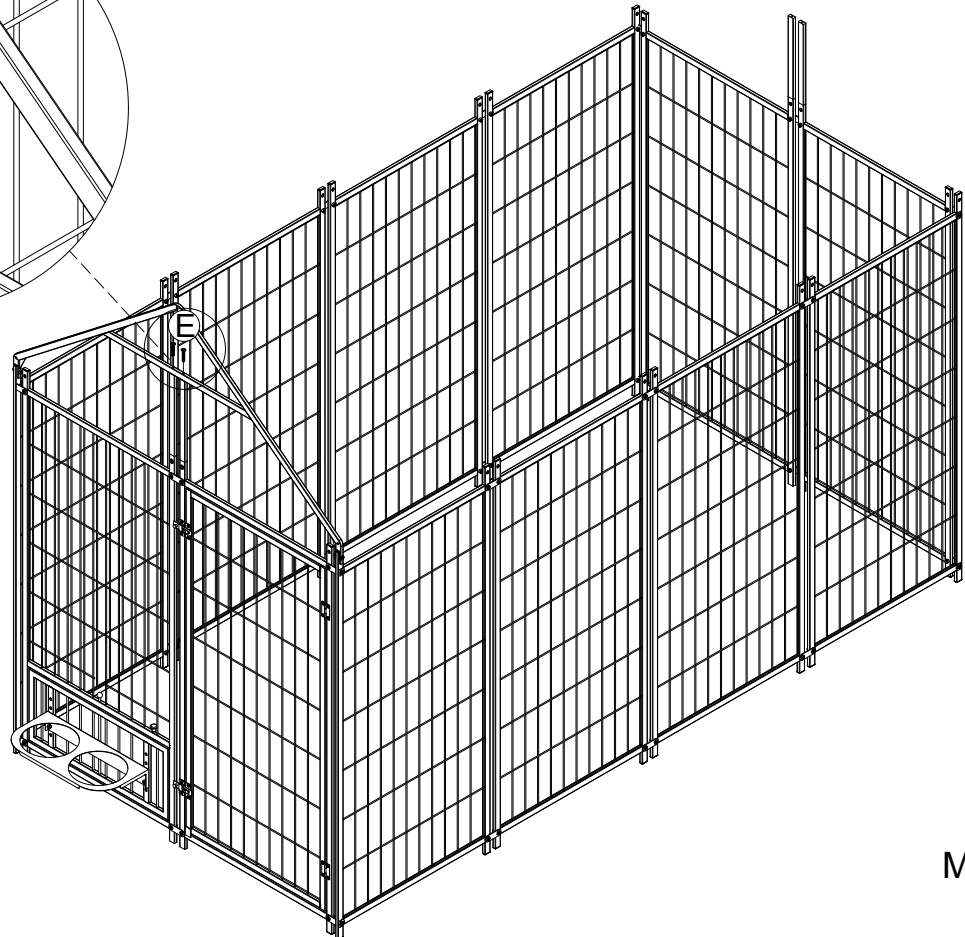
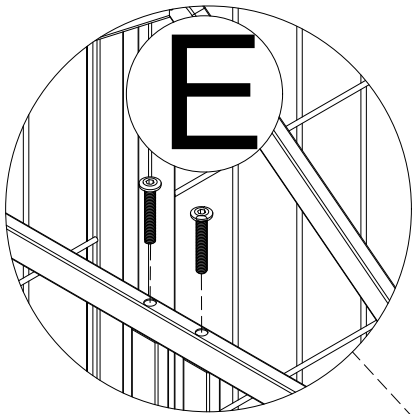


14



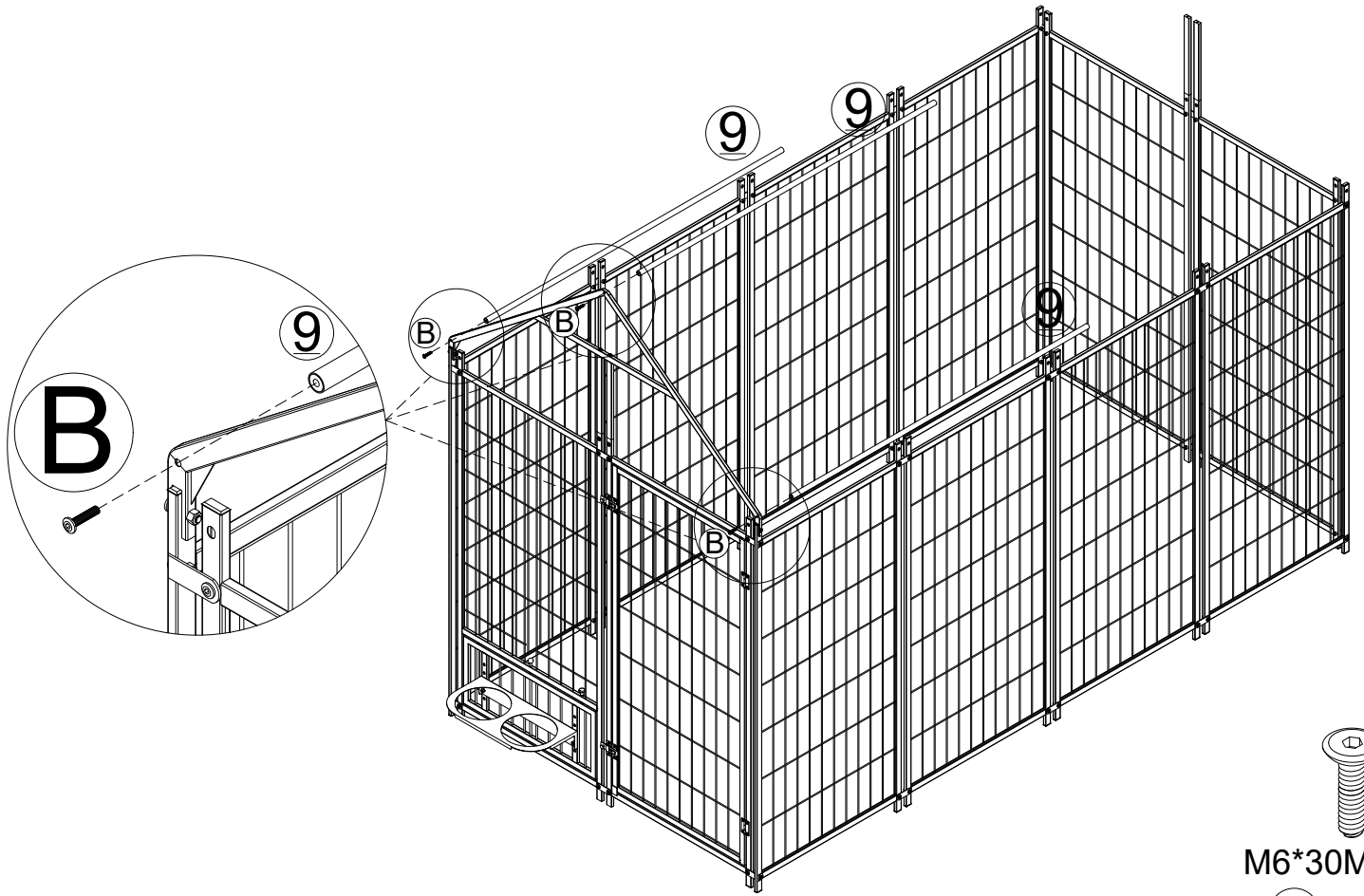
M6*30MM
G X2 B X2

15

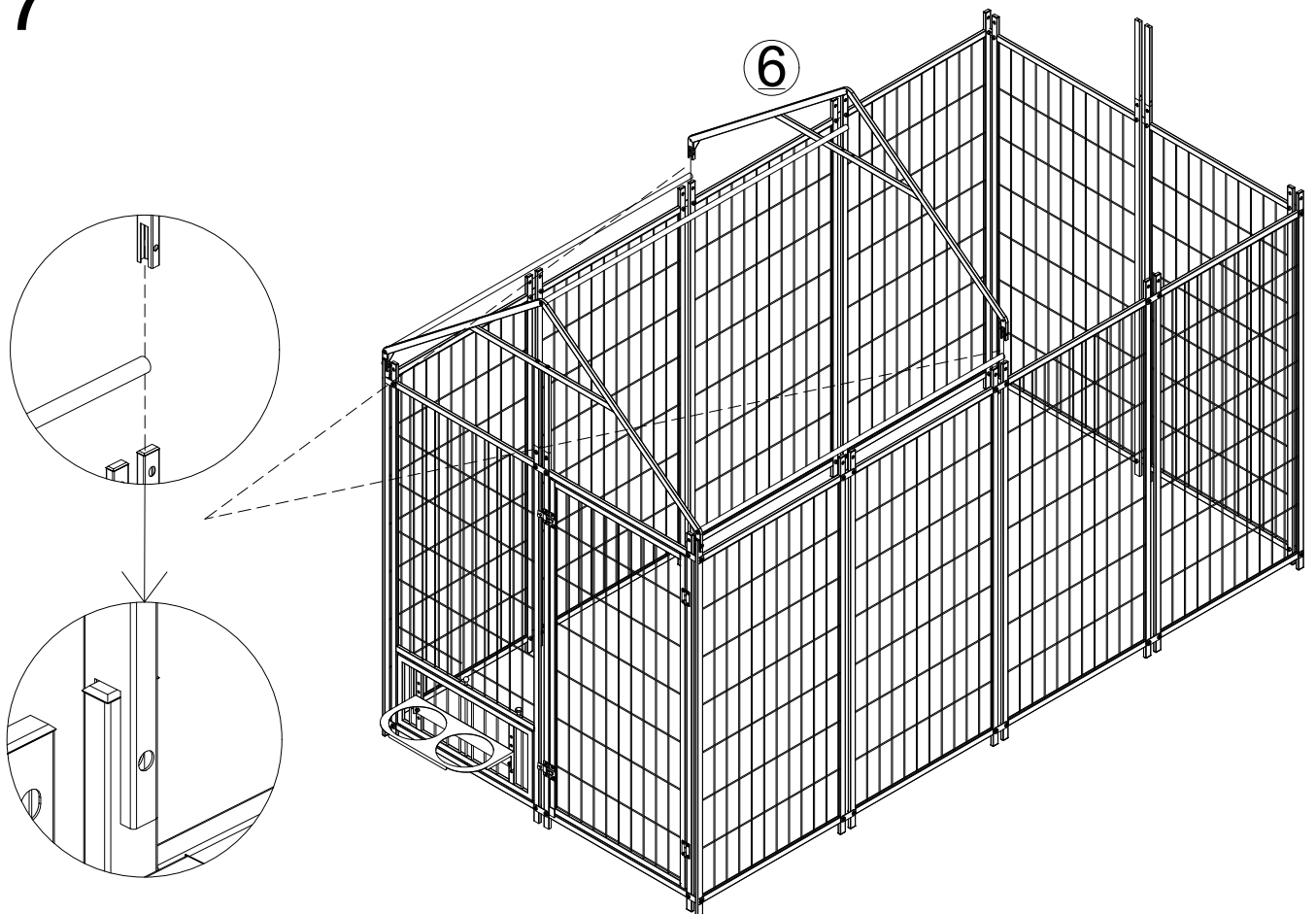


M6*40MM
E X2

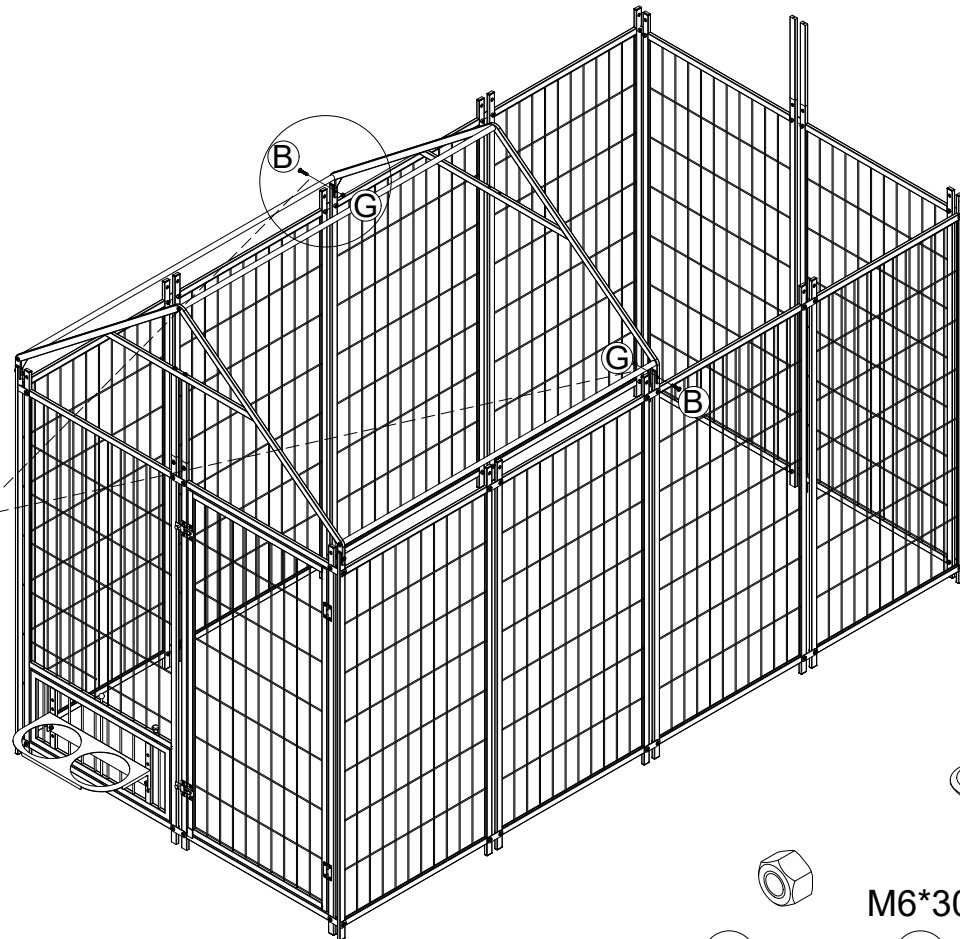
16


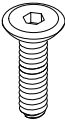


17

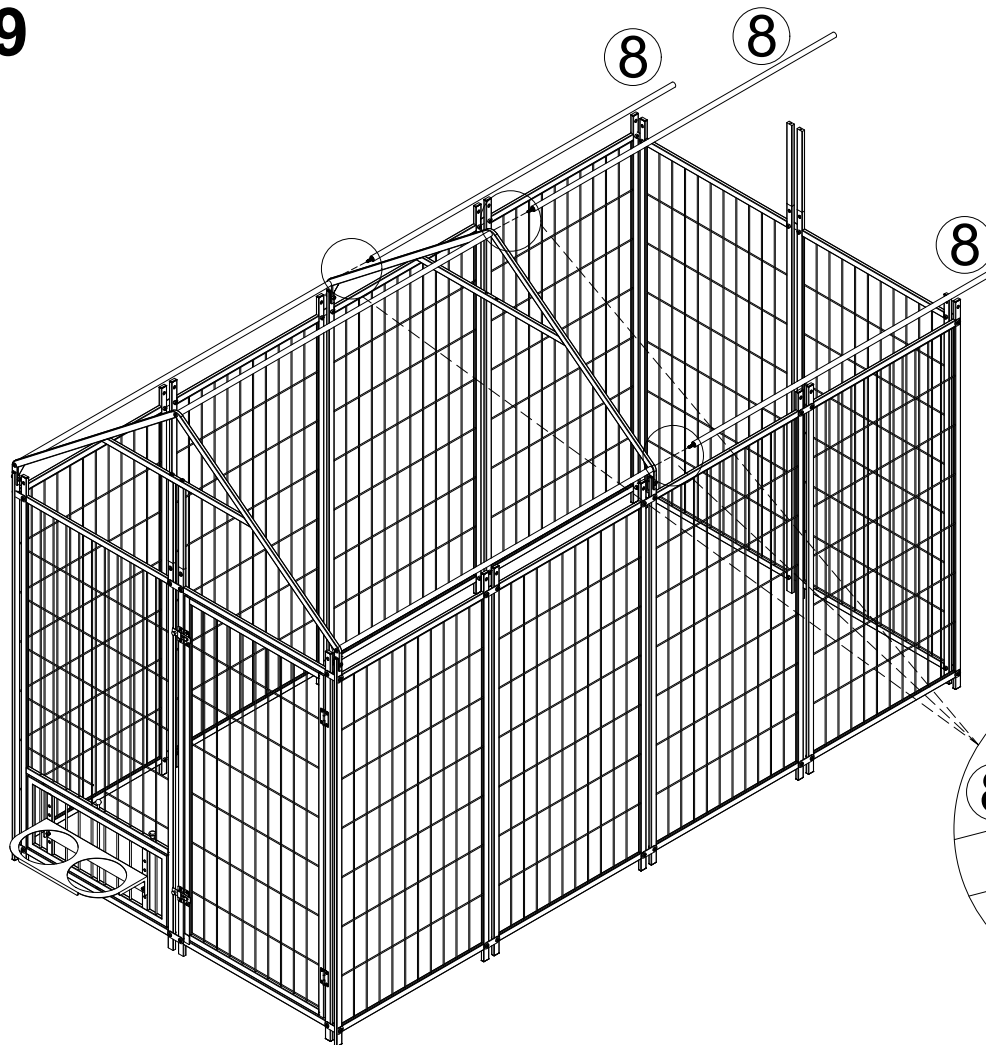




18



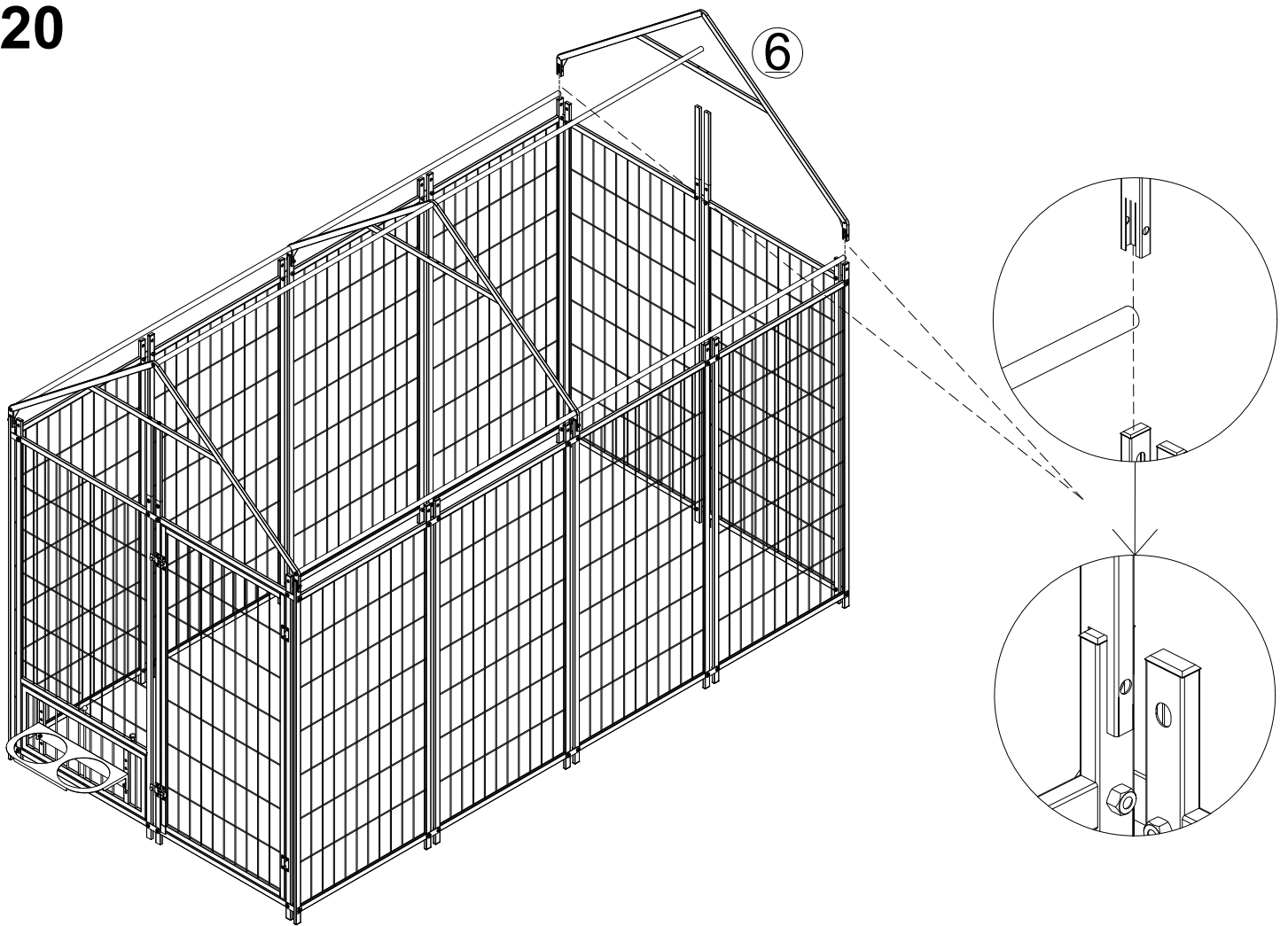
-  **G** X2
-  M6*30MM
- B** X2

19

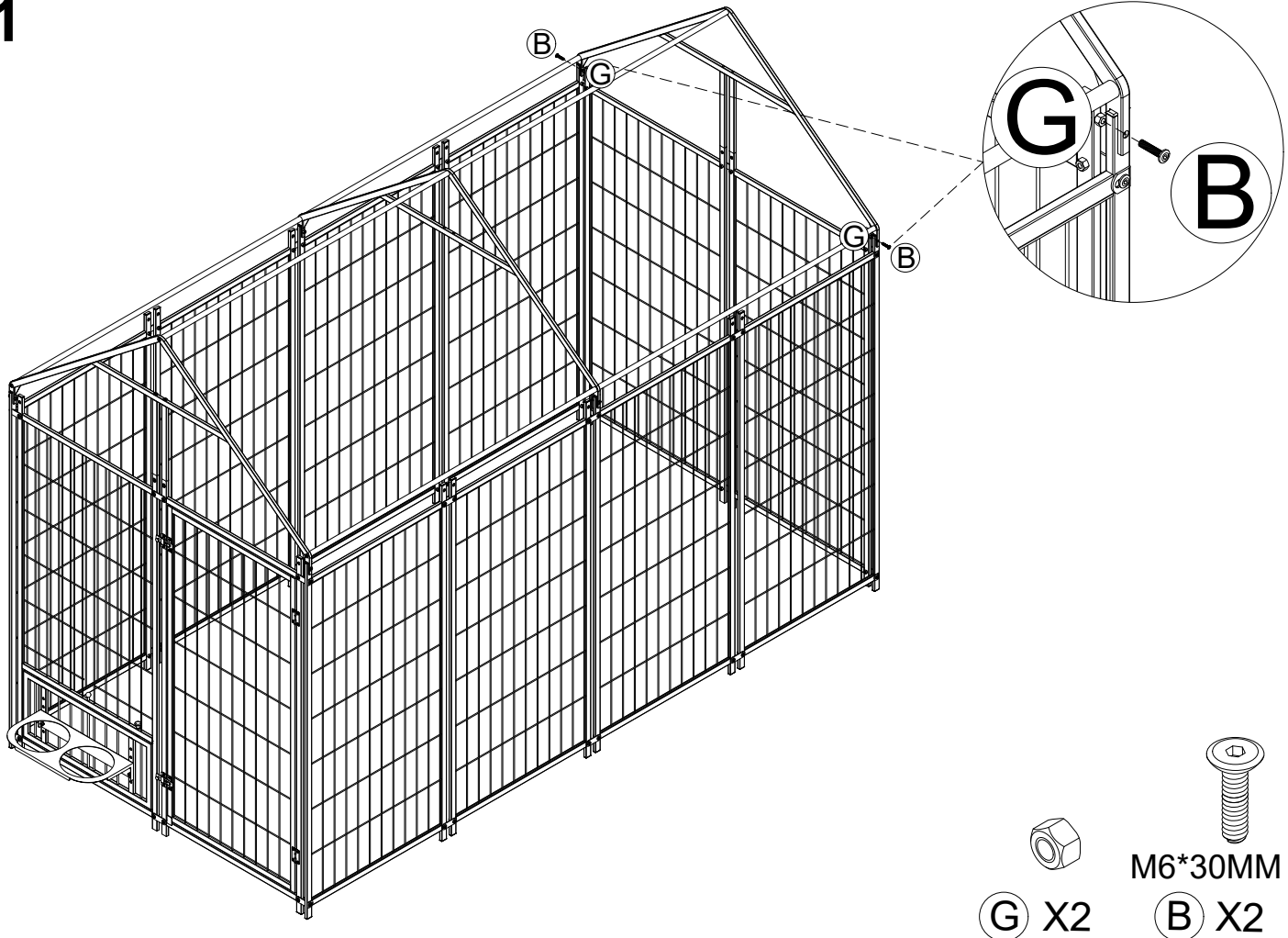


- 8** X3
-  **F**
- 1170mm
-  M6*20MM/20MM
- F** X3

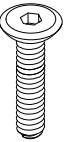
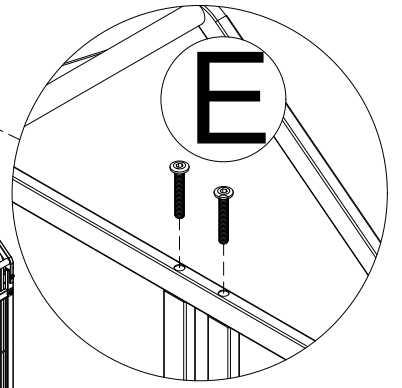
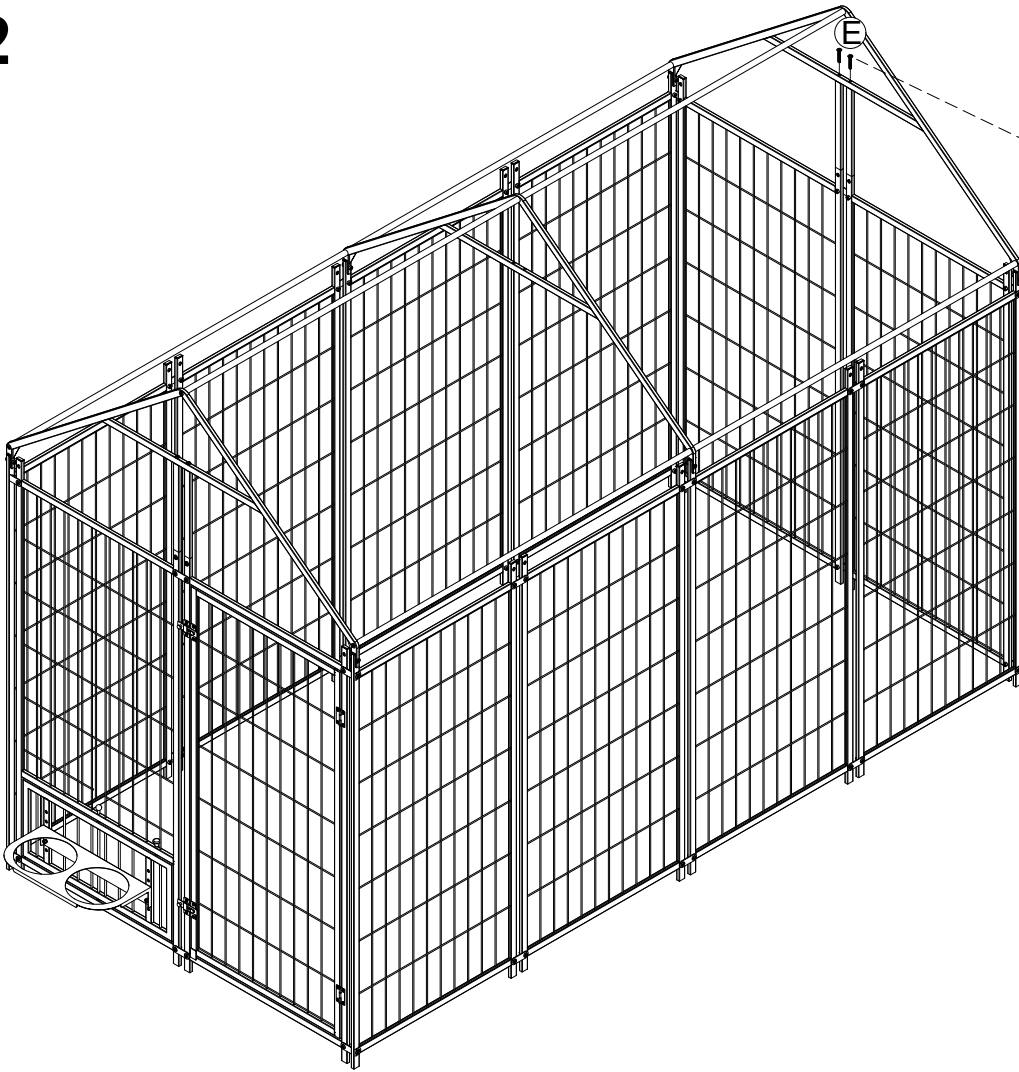
20



21



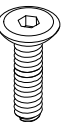
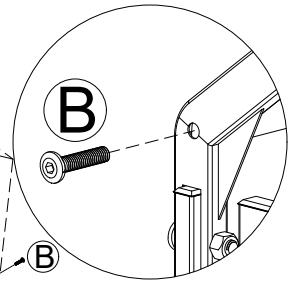
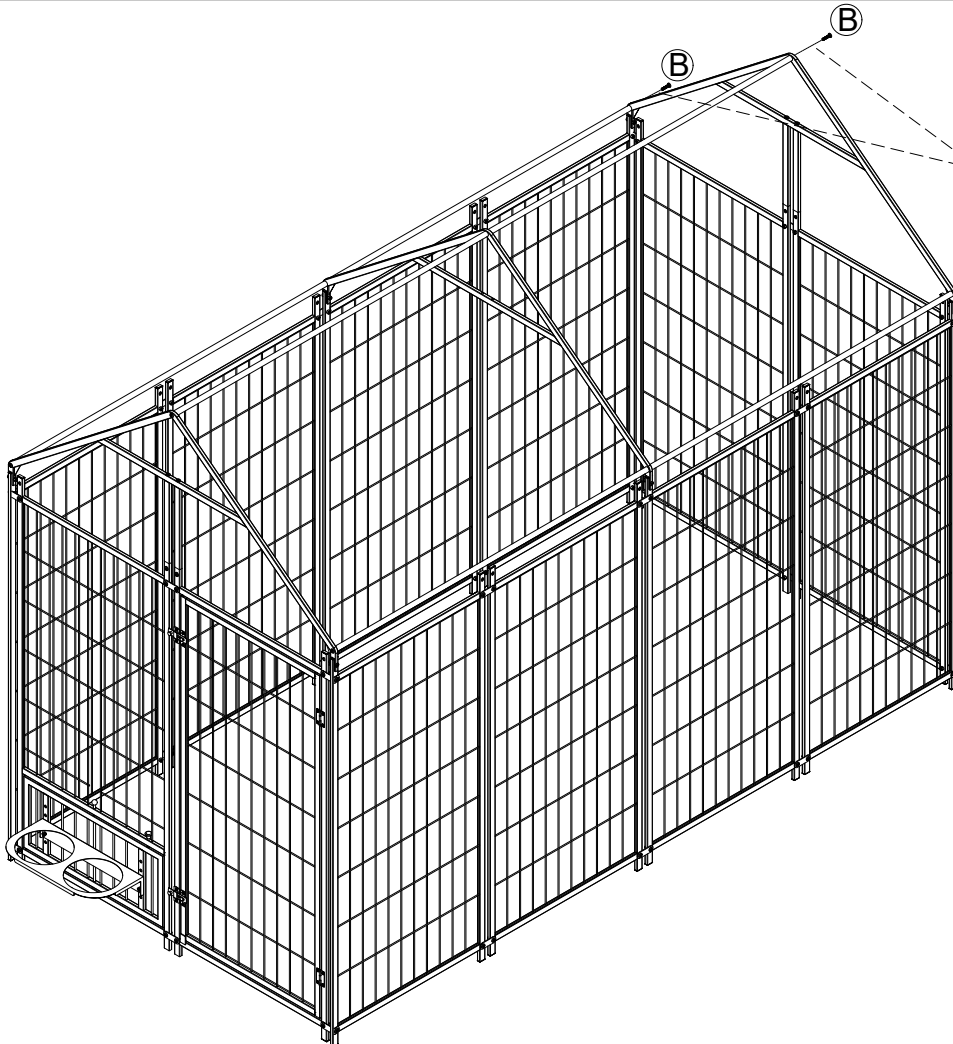
22



M6*40MM

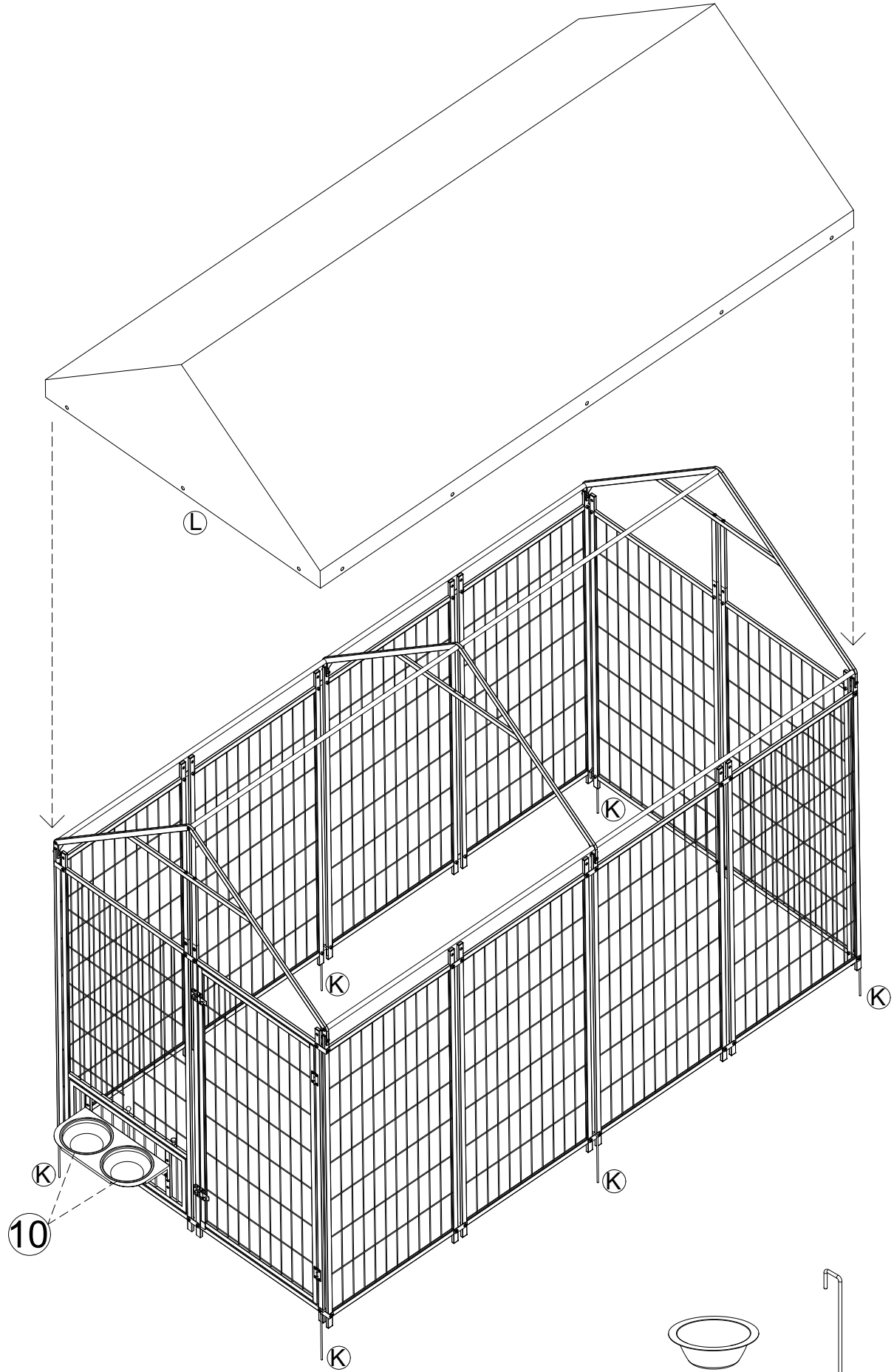
ⓔ X2




23



M6*30MM

ⓑ X3



-  10 X2
-  K X6
-  L X1

There are also the same holes on the back and side for fastening objects

