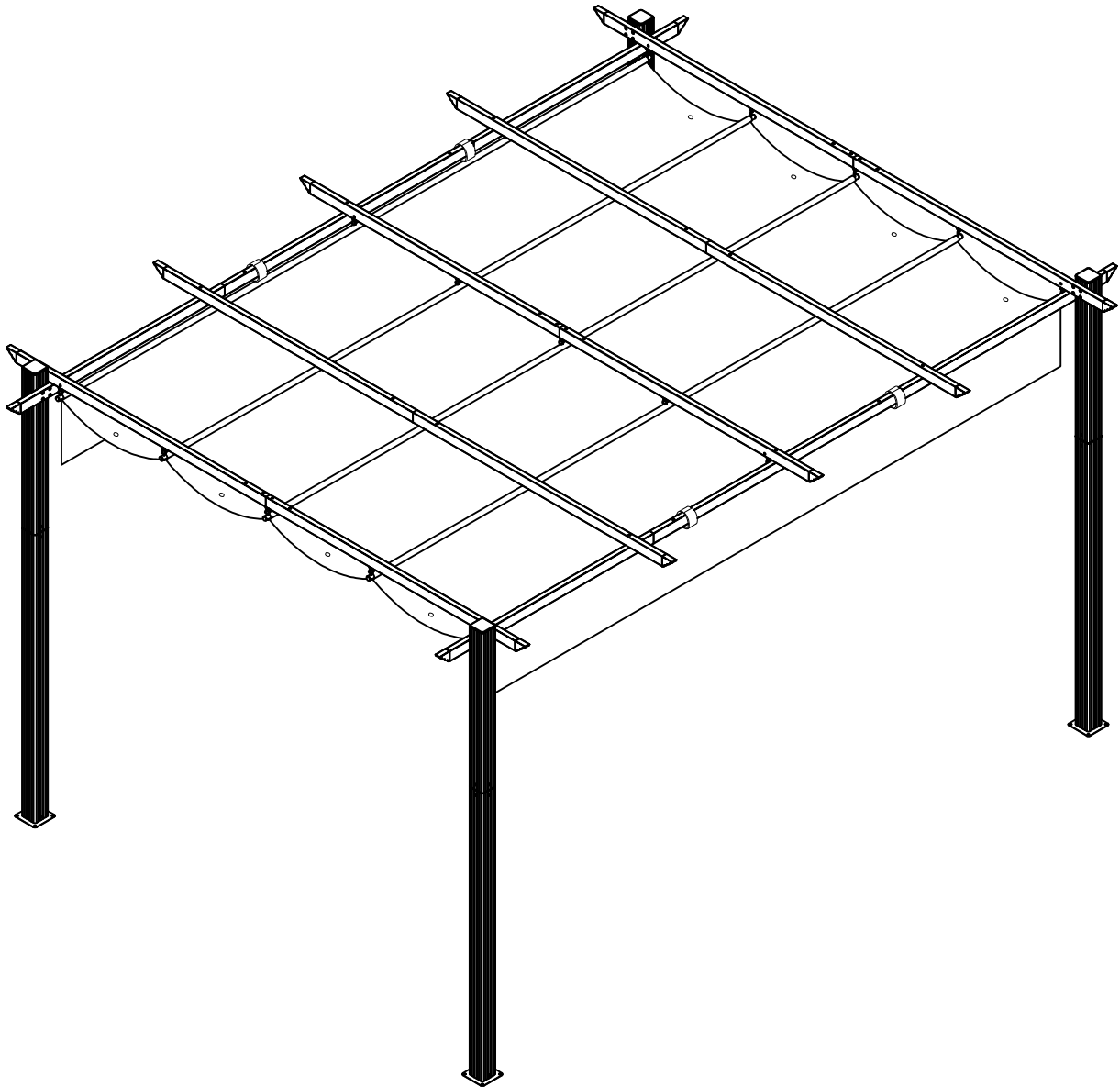


Retractable Pergola Assembly and Installation Guide



KRKYOT257KK & KRKYOT257GY

Important Notice:

1. Pre-Installation Preparation & Verification:

Before assembly, review the parts list to ensure all components/hardware are included (contact customer support for missing / damaged parts immediately). Ensure the installation area is level, stable and obstruction-free; use appropriate anchors/stakes for ground-mounted pergolas.

2. Assembly Safety Guidelines:

Handle components carefully (sharp edges may exist) and wear protective gloves if needed. Use provided tools and follow assembly instructions step-by-step to avoid injury or product damage.

3. Load Limitations:

Distribute items placed on the pergola evenly to prevent structural stress or instability.

4. Weather Protection:

Protect the pergola from extreme weather (heavy snow, ice, heavy rain, high winds) despite outdoor design. Retract the canopy during severe weather and regularly inspect fabric/frame for wear or damage.

5. Child & Pet Safety:

Keep small parts, tools and hardware out of children/pets' reach. Install the pergola in a tripping-hazard-free area and do not allow children to climb or play on the structure.

6. Maintenance & Cleaning:

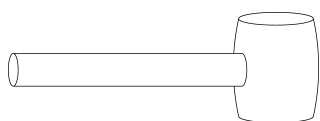
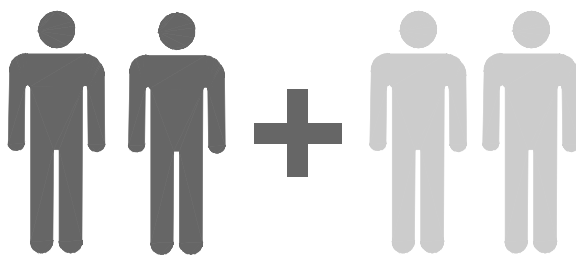
Regularly inspect for loose screws, bolts or components and tighten fasteners as needed. Clean the canopy with mild detergent and water; avoid abrasive cleaners that may damage materials.

7. Operation & Adjustment Tips:

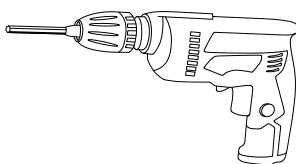
Retract/extend the canopy smoothly and evenly to avoid straining the mechanism. Do not force it if it moves abnormally; check for obstructions or damage first.

8. Support & Packaging Disposal:

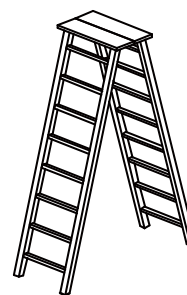
Contact customer support for installation/operation difficulties or product questions. Dispose of all packaging materials properly after installation to avoid tripping hazards.



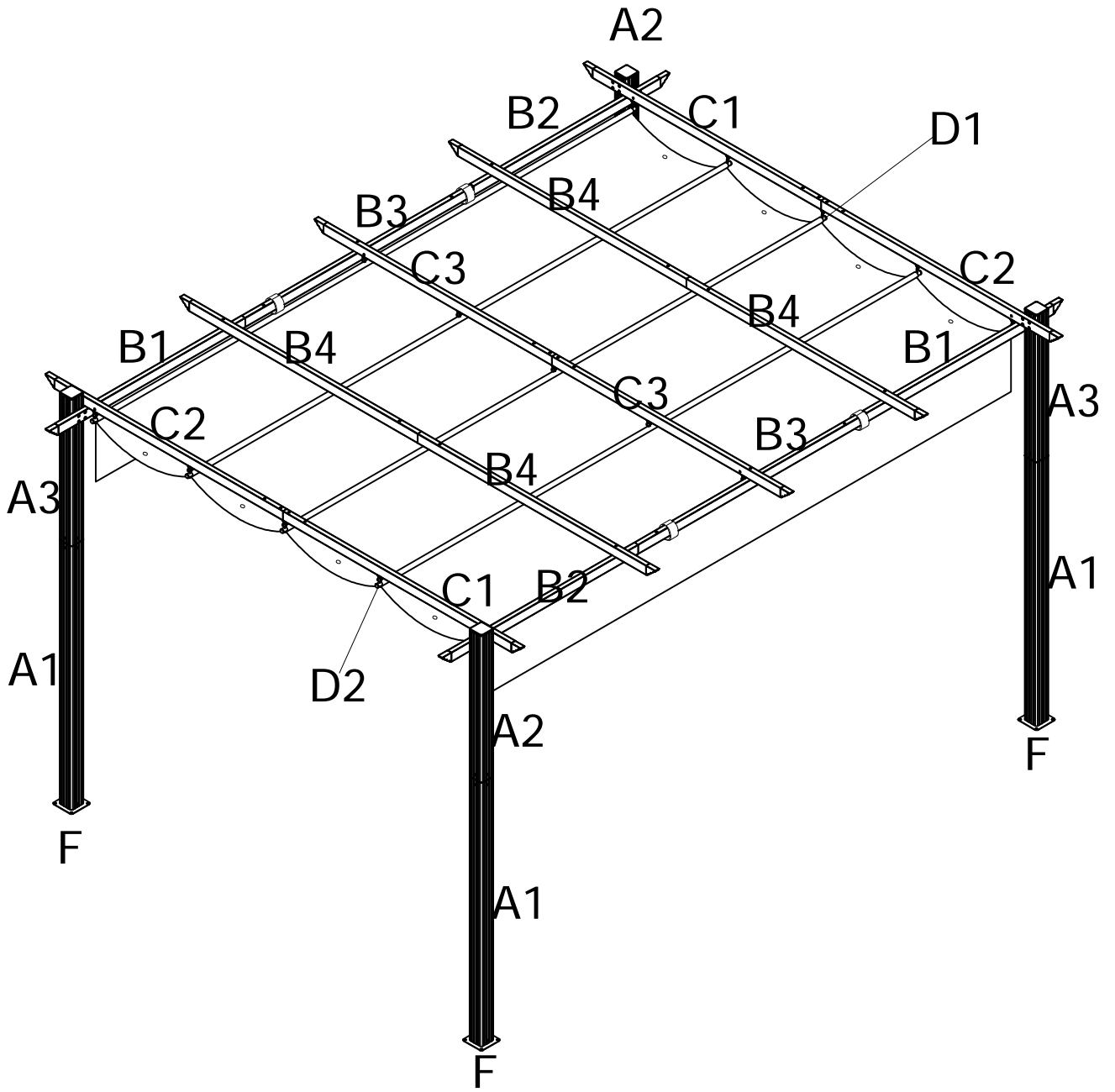
Hammer







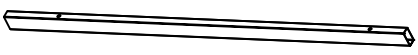

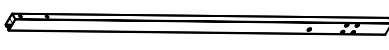
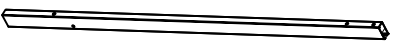




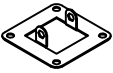
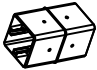




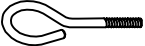




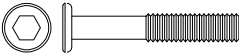


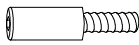




Electric Screw Gun







Ladder





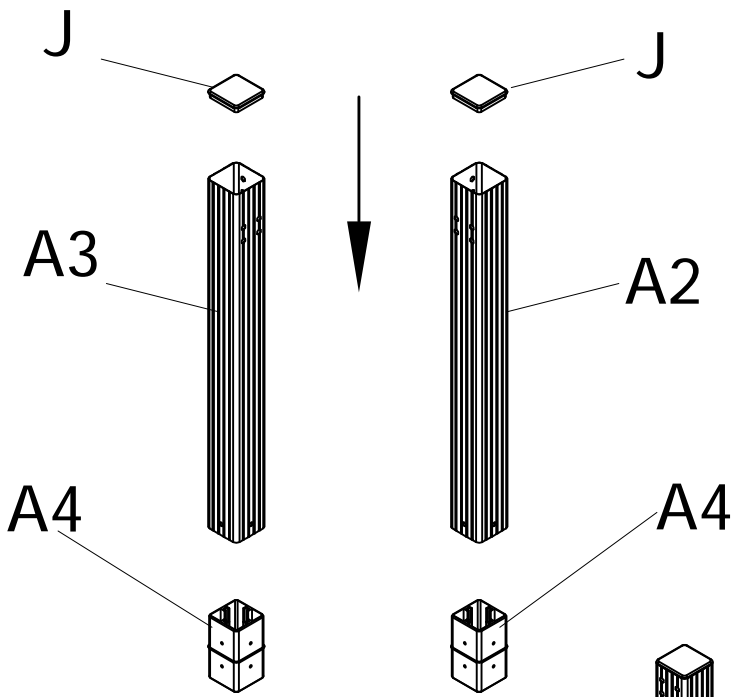
ITEM	DESCRIPTION	QTY
A1		4
A2		2
A3		2
B1		2
B2		2
B3		2
B4		4
C1		2
C2		2
C3		2
D1		5
D2		10
E1		6
E2		3
F		4
A4		4
J		4
K		14
L		1
M		15
N		15+1

ITEM	DESCRIPTION	SIZE	QTY
H1		M6X15	72+4
H2		M6X35	6+1
H3		M6X65	6+1
H4		M6	90+5
H5		M6	6+1
H6		25-M6X15	32
H7		M4	15+1
HQ1		4X140	8
HQ3		4MM	2
HQ4		7MM — 10MM	1

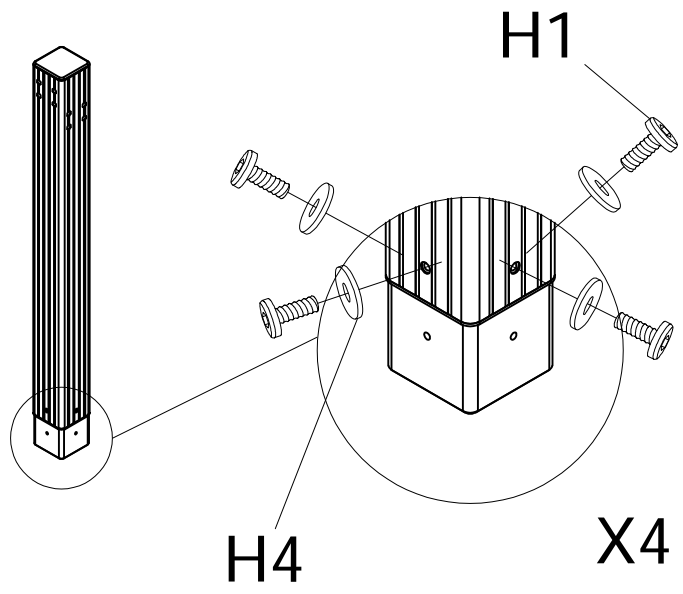
1

A2		2
A3		2
A4		4
J		4





H1		M6X15	16
H4		M6	16






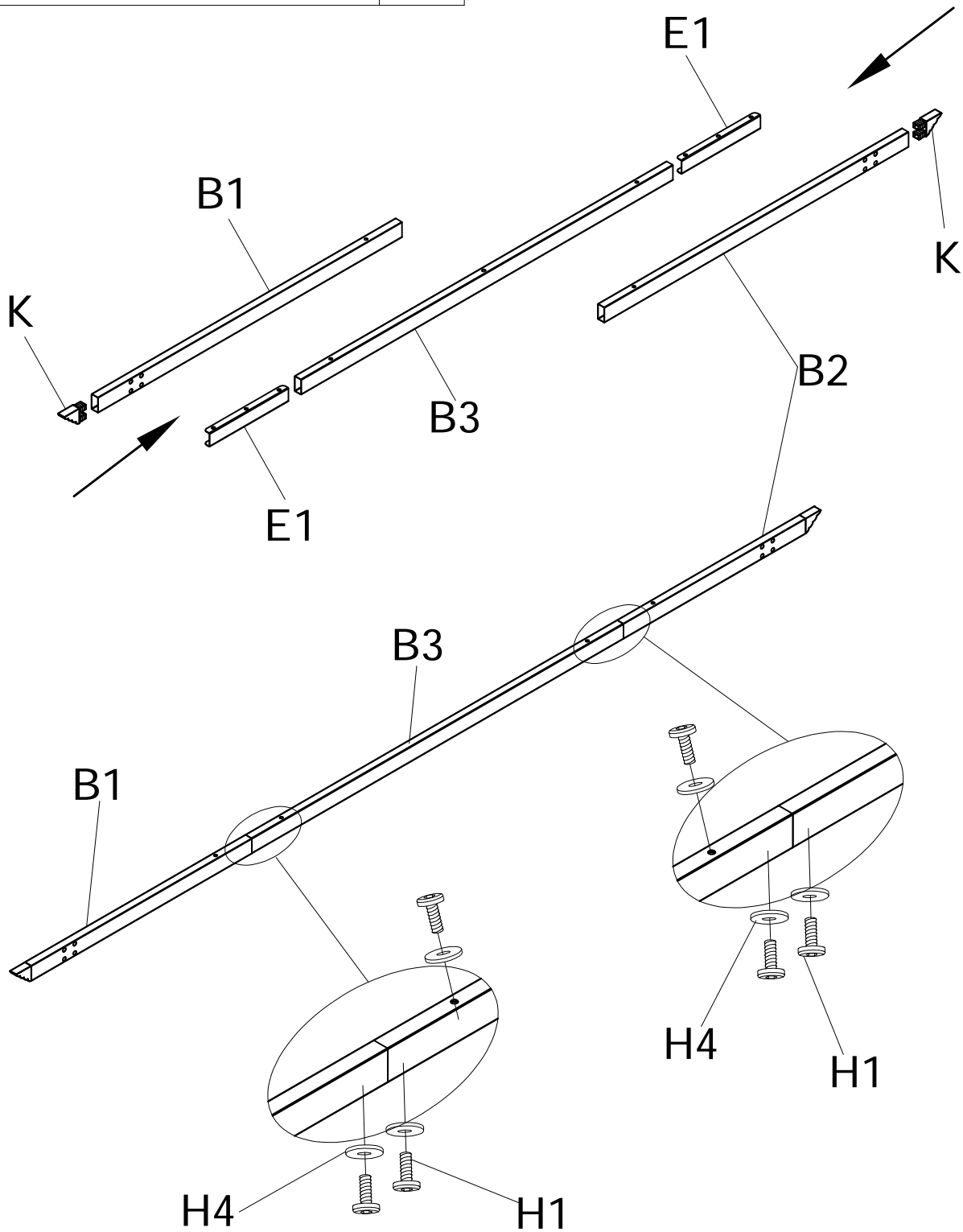
X2



2

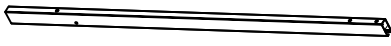



B1		2
B2		2
B3		2
E1		4



K		4
H1	 M6X15	12
H4	 M6	12

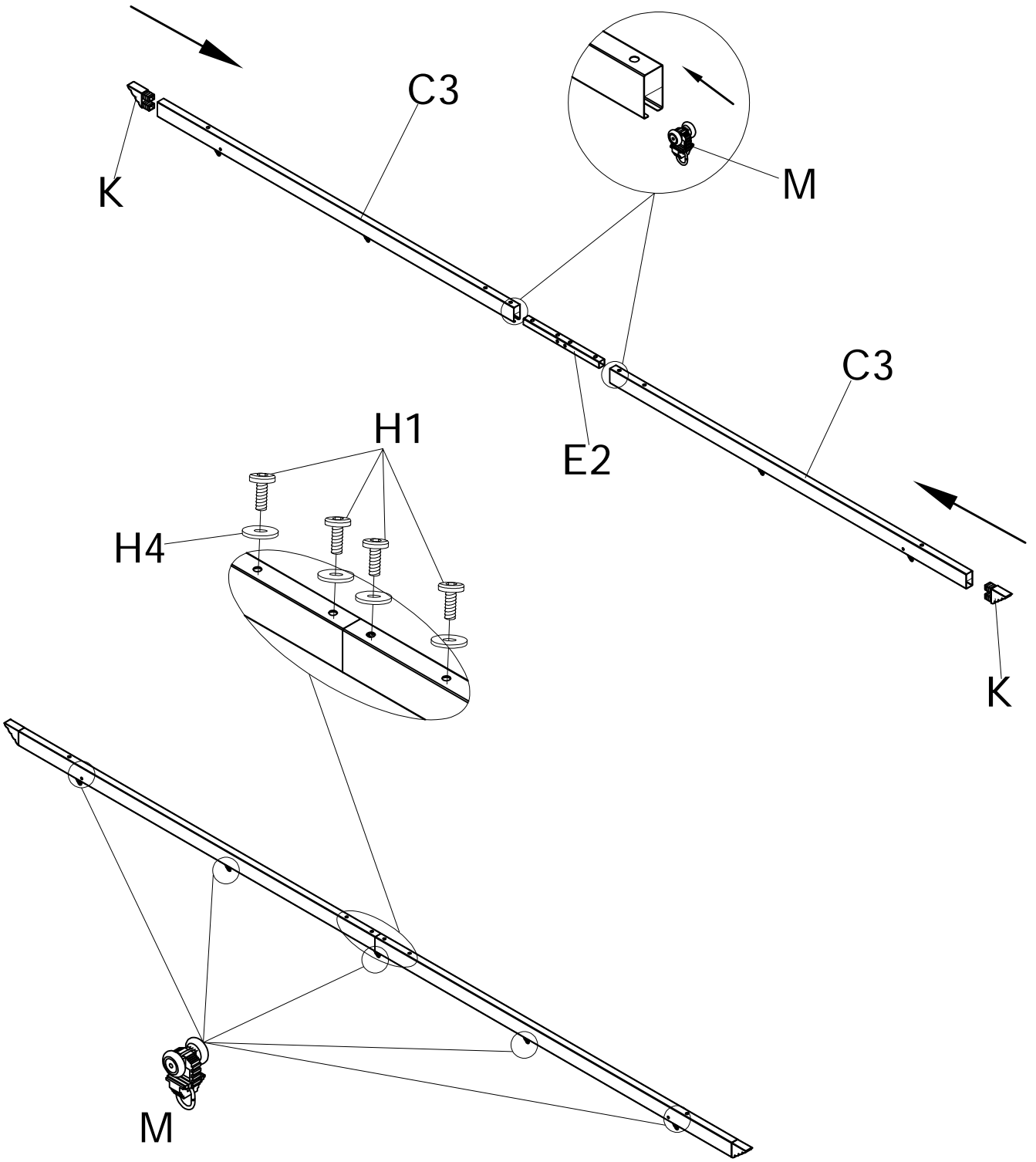


X2



3

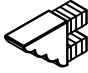


C3		2
E2		1
K		2
M		5

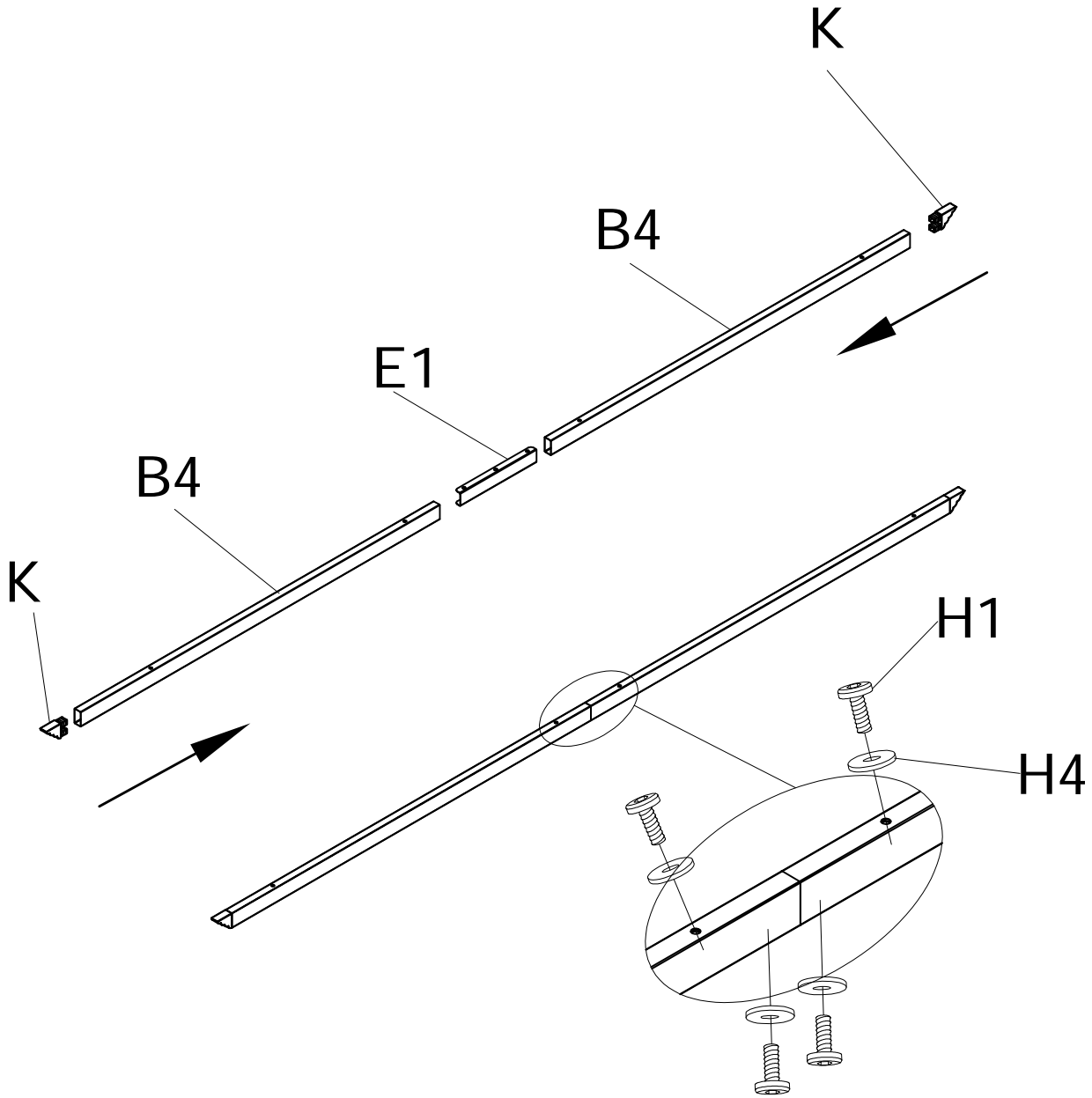
H1		M6X15	4
H4		M6	4



4





B4		4
E1		2




K		4
H1	 M6X15	8
H4	 M6	8

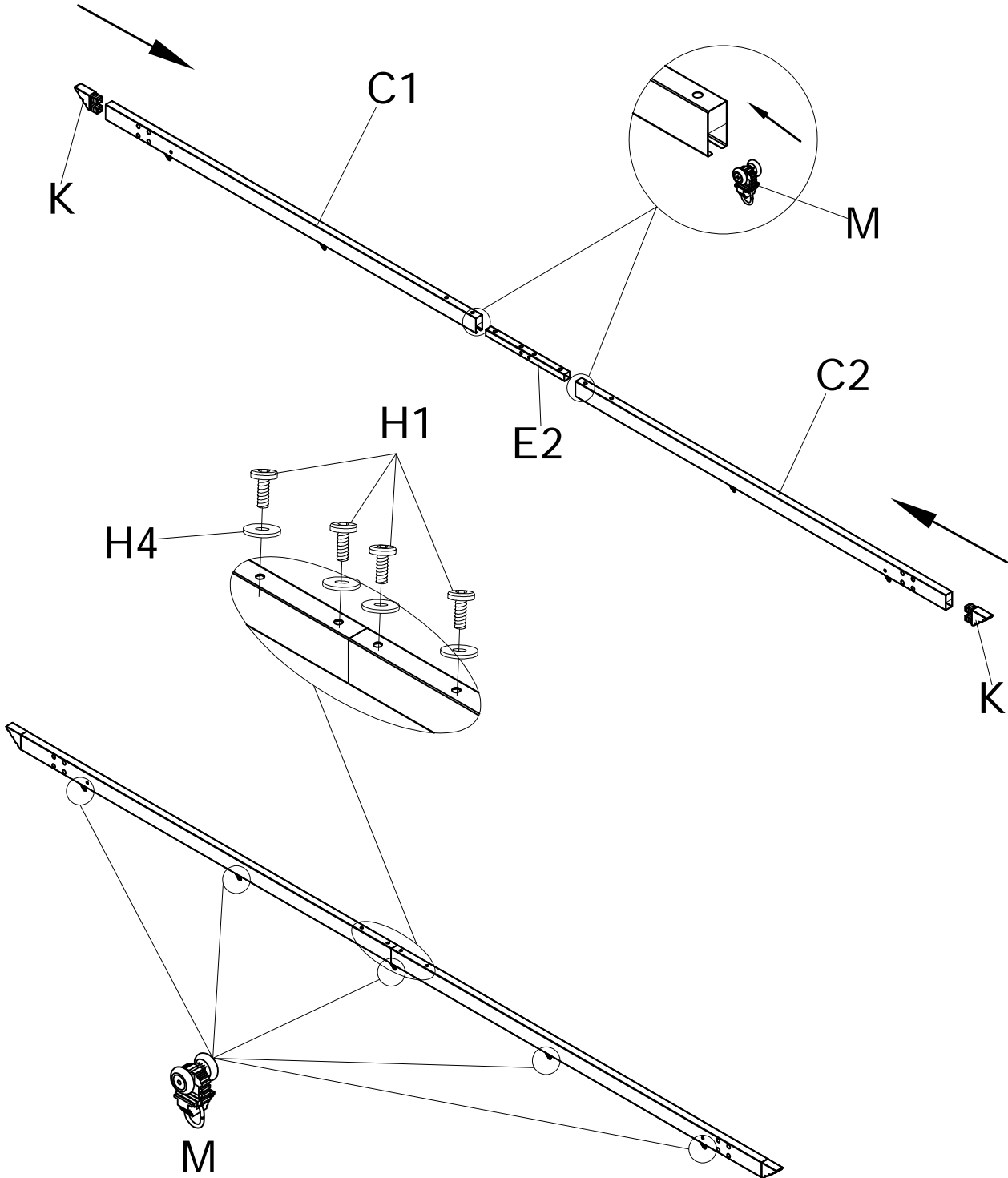


X2

5

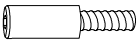
C1		2
C2		2
E2		2
K		4

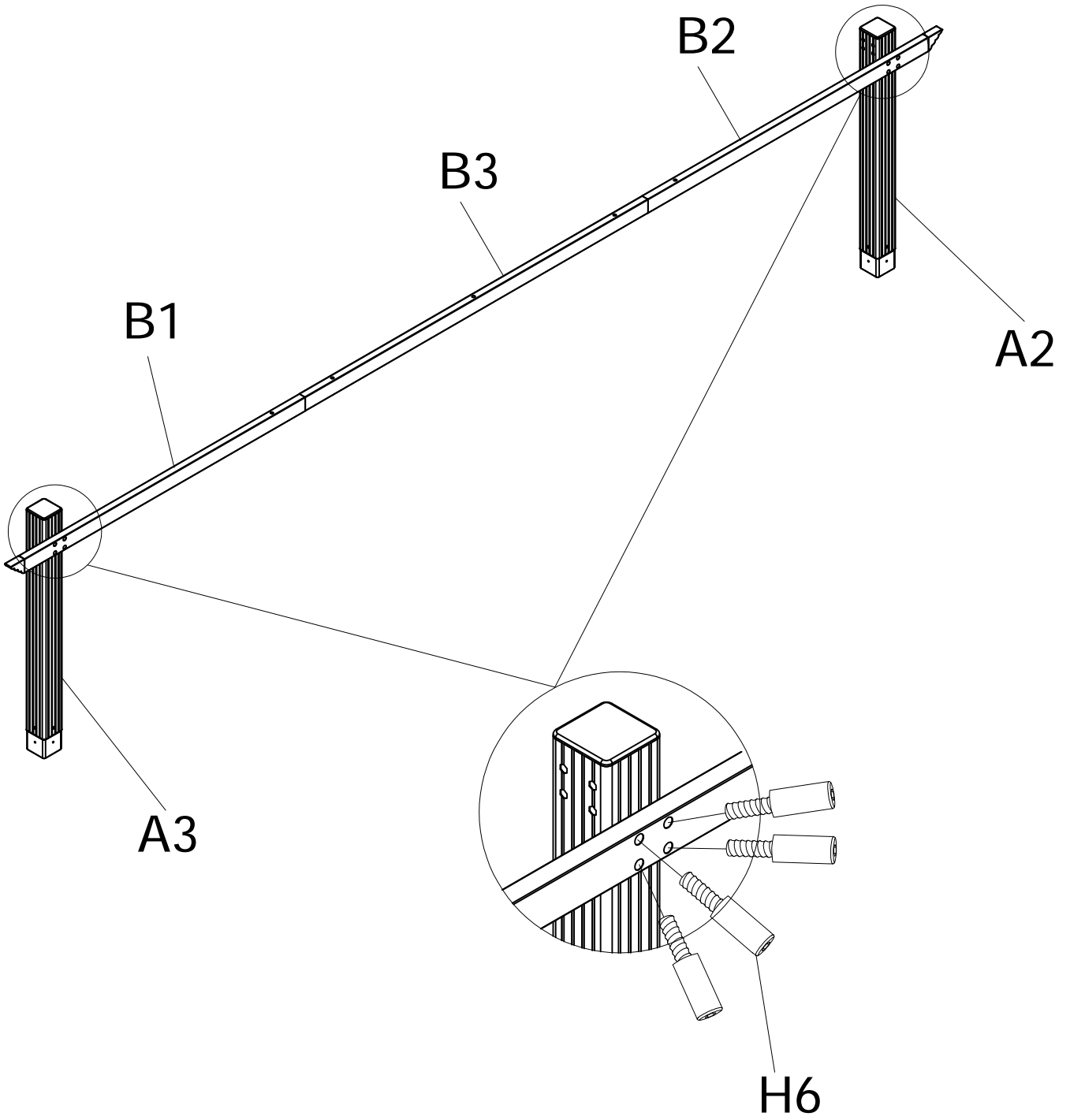
M			10
H1		M6X15	8
H4		M6	8



X2

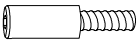
6

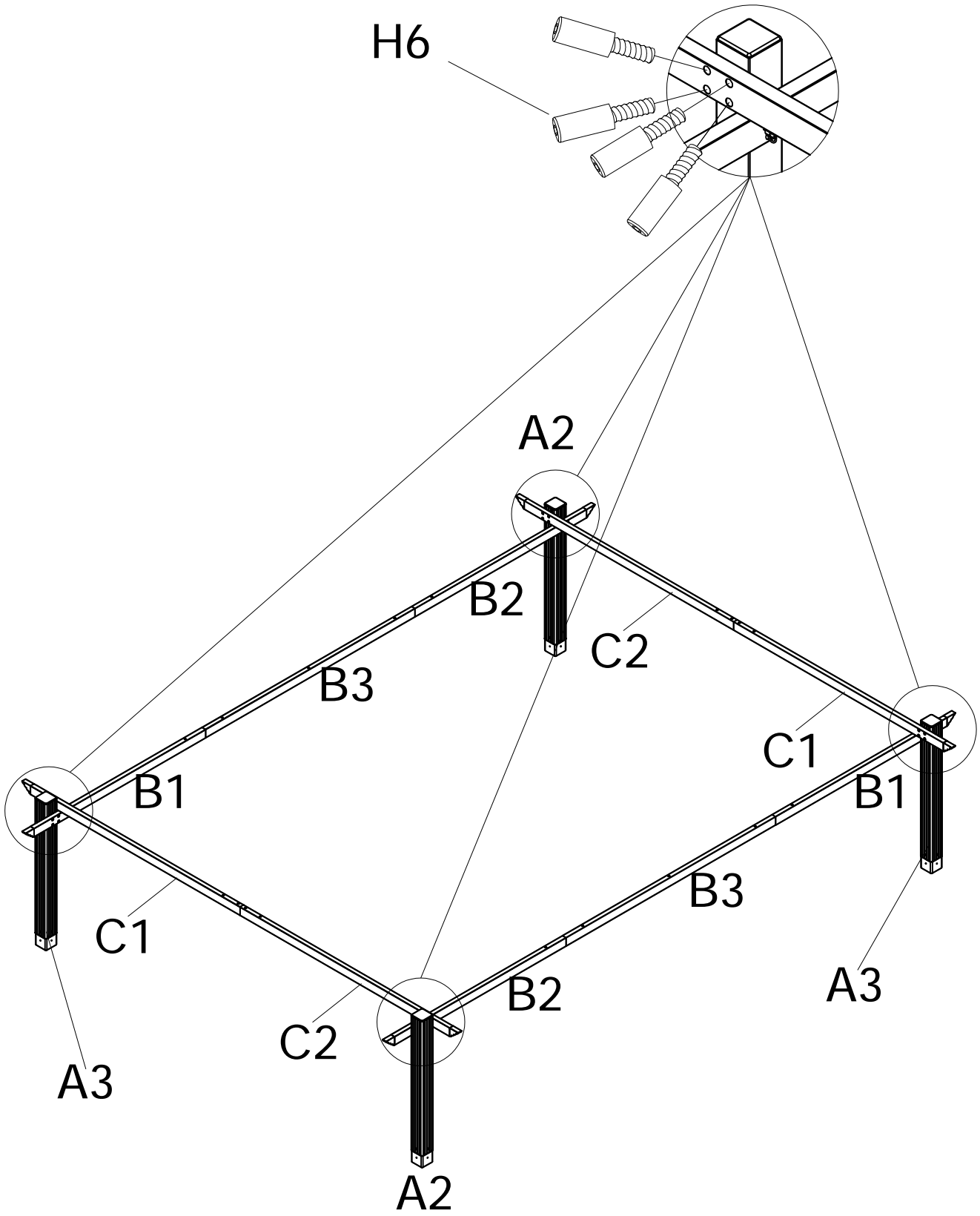
H6		25-M6X15	16
----	---	----------	----



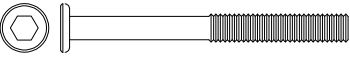

X2

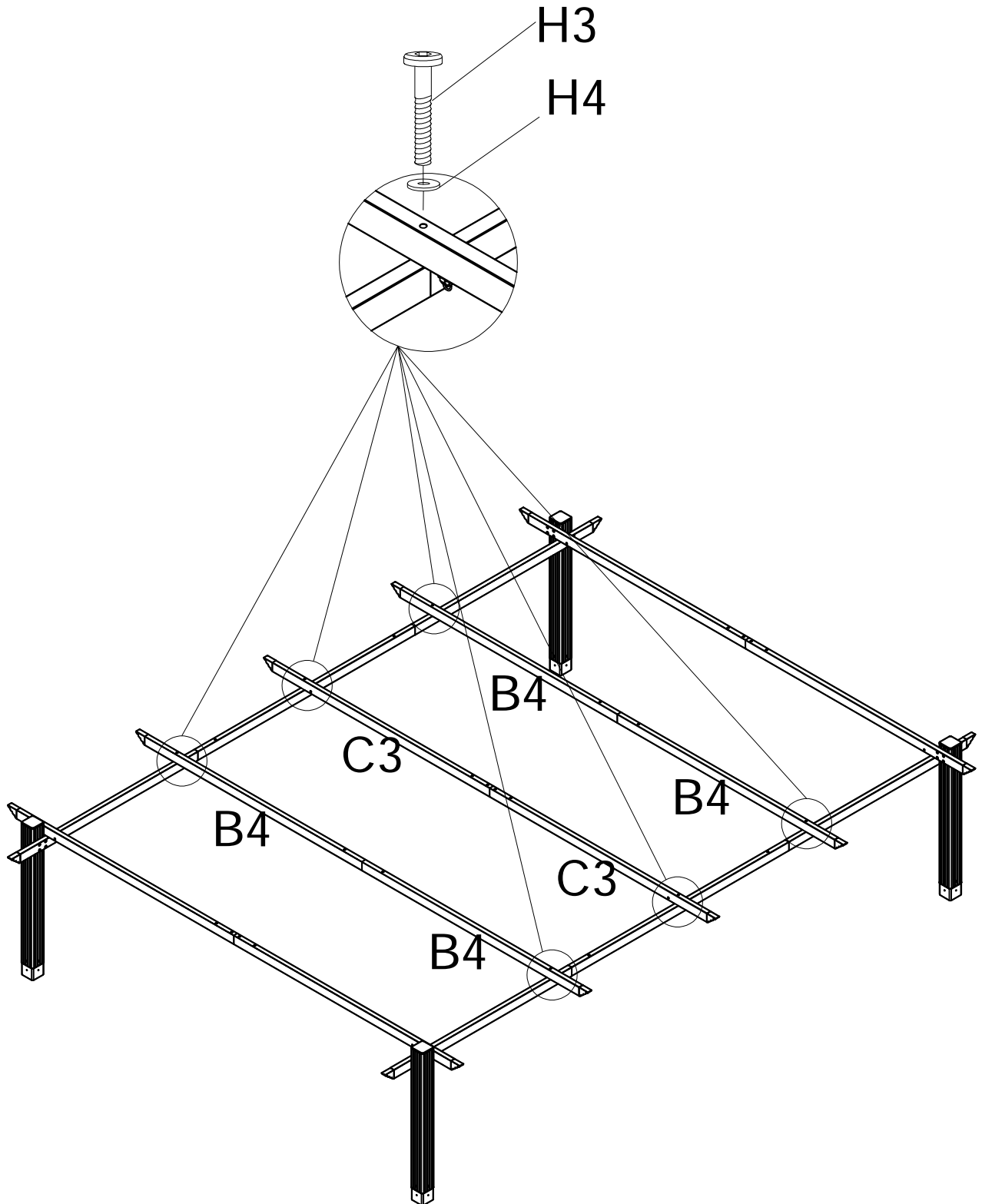
7

H6		25-M6X15	16
----	---	----------	----


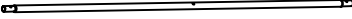



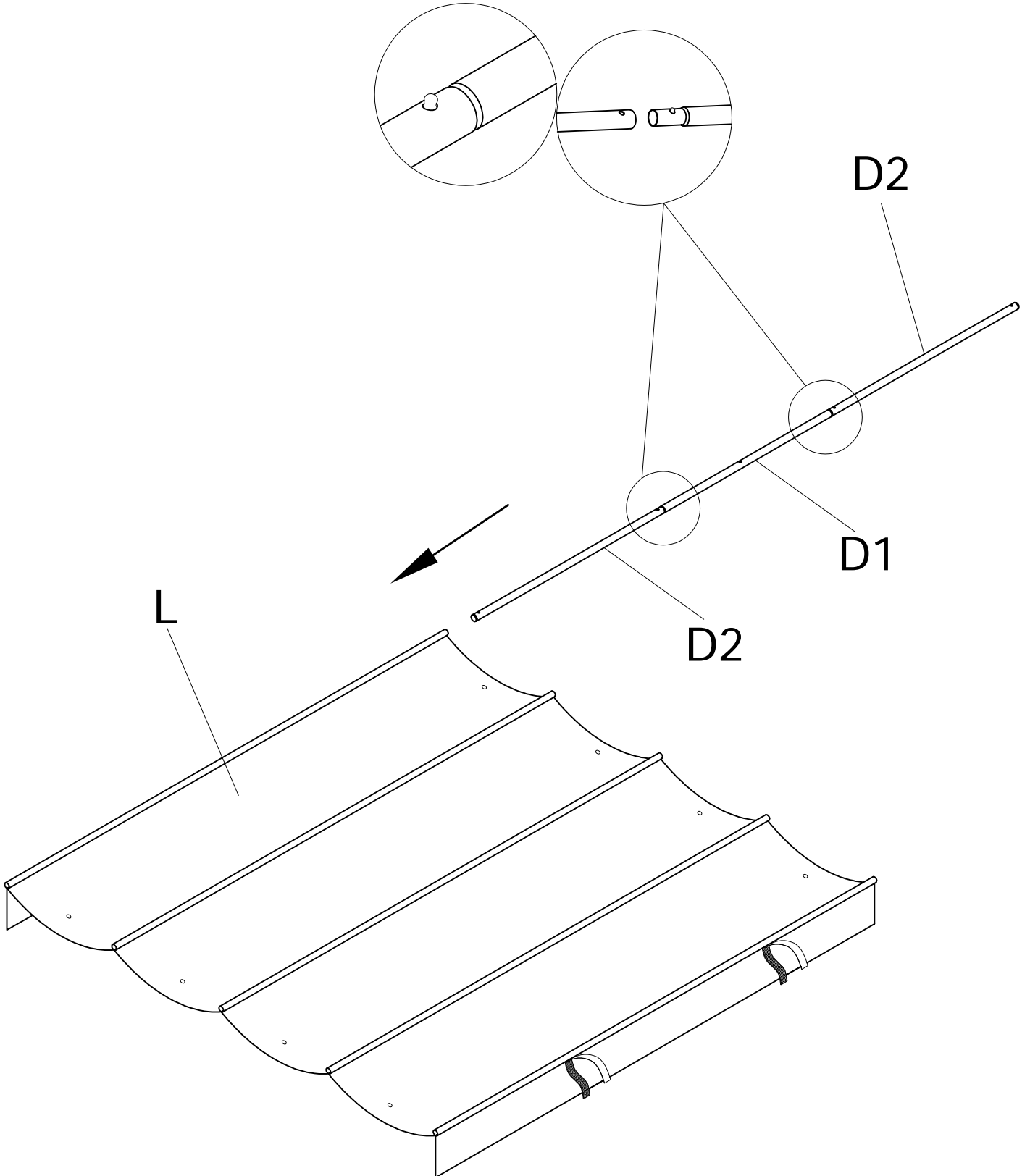
8

H3		M6X65	6
H4		M6	6

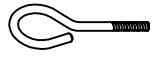



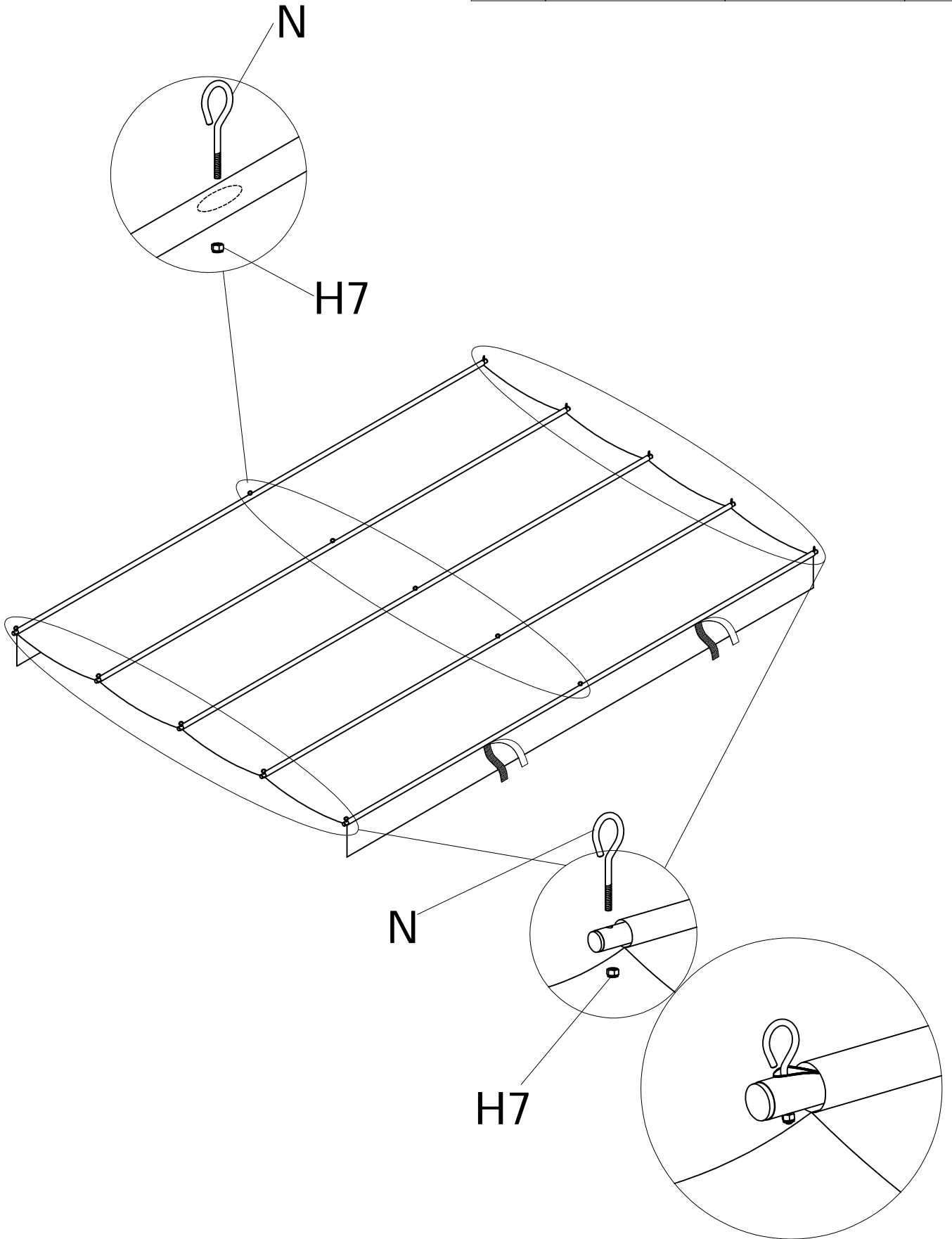
9

D2		10
D1		5
L		1

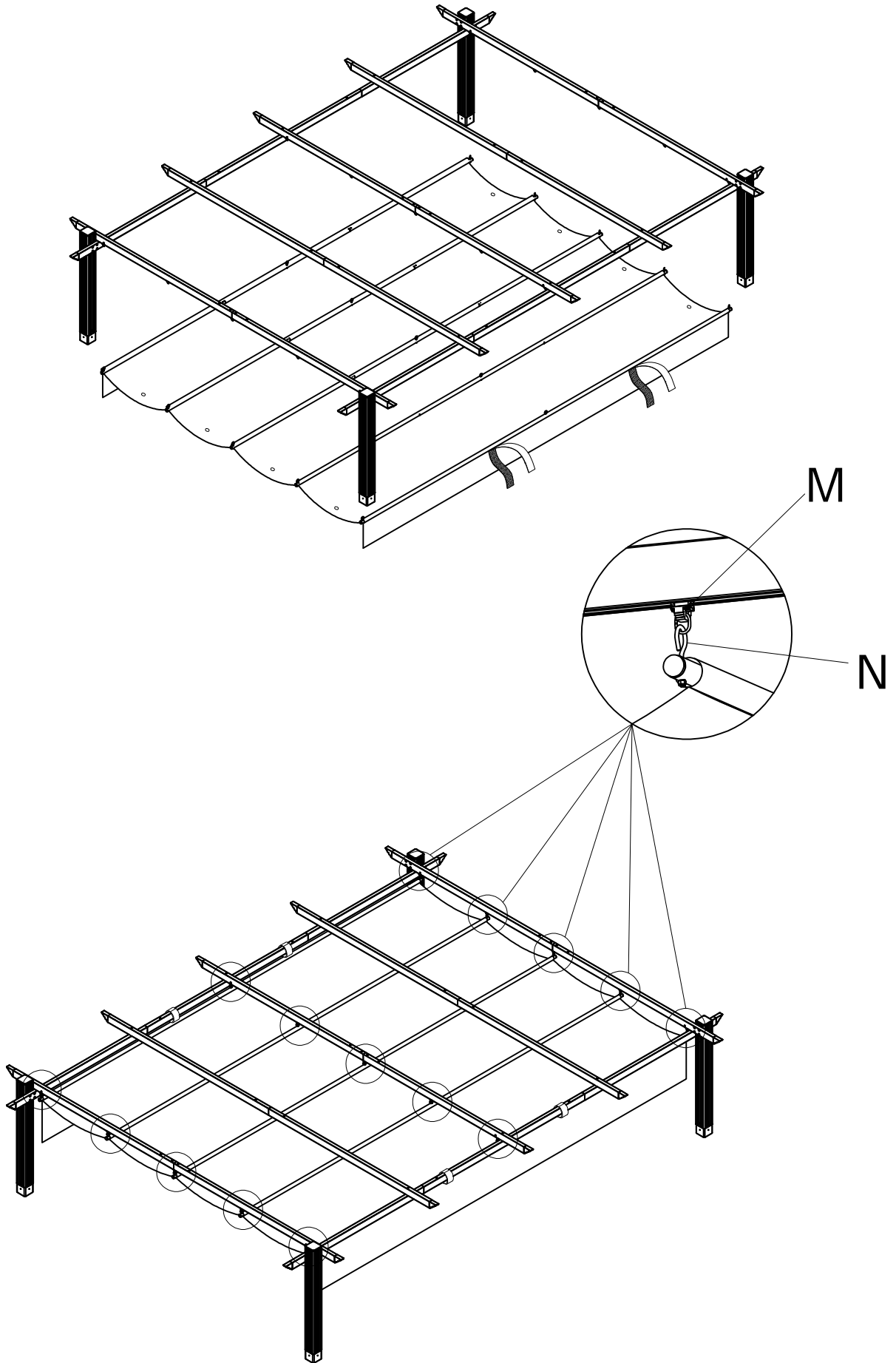


10

N			15
H7		M4	15





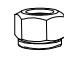
11

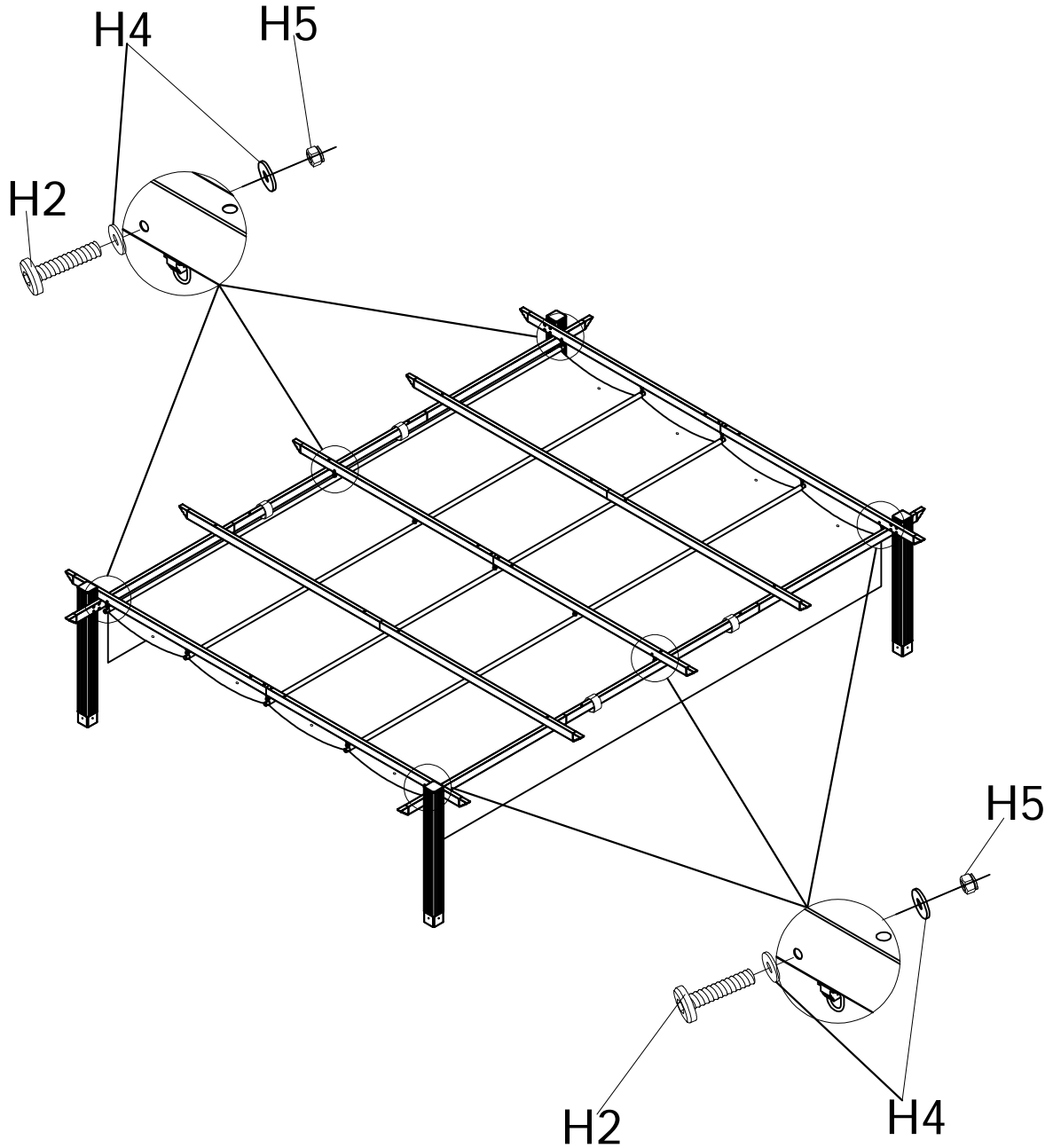


12

Note:

To secure one side canopy: Tighten H4 screws at both ends to lock pulleys.
For flexible adjustment of both canopies: Leave H4 screws at both ends loose.



H2		M6X35	6
H4		M6	12
H5		M6	6





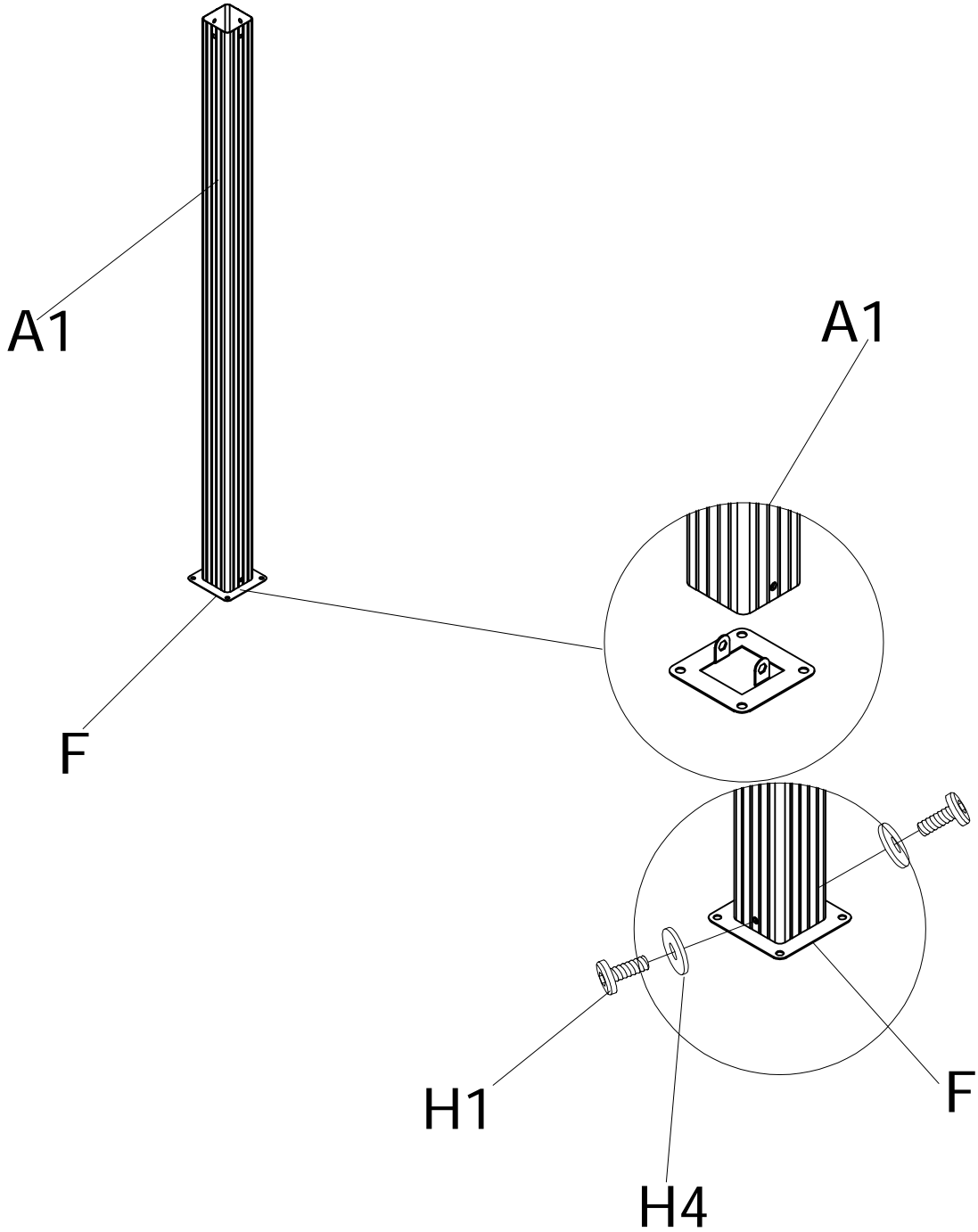
Note:

To secure one side canopy: Tighten H4 screws at both ends to lock pulleys.
For flexible adjustment of both canopies: Leave H4 screws at both ends loose.

13



A1		4
F		4

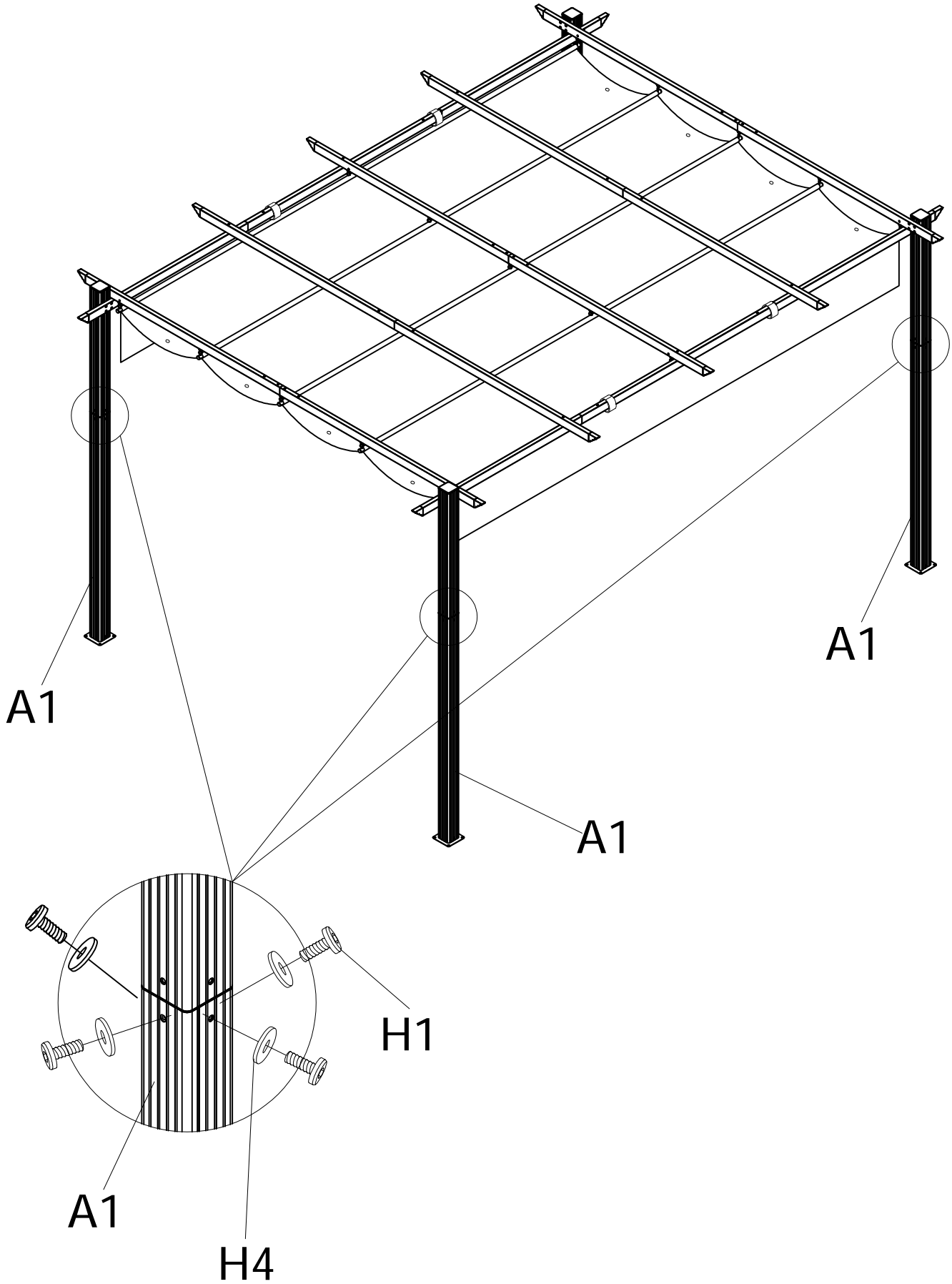
H1		M6X15	8
H4		M6	8



X4

14

H1		M6X15	16
H4		M6	16



15

HQ1		4X140	8
-----	---	-------	---

