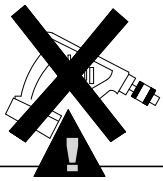
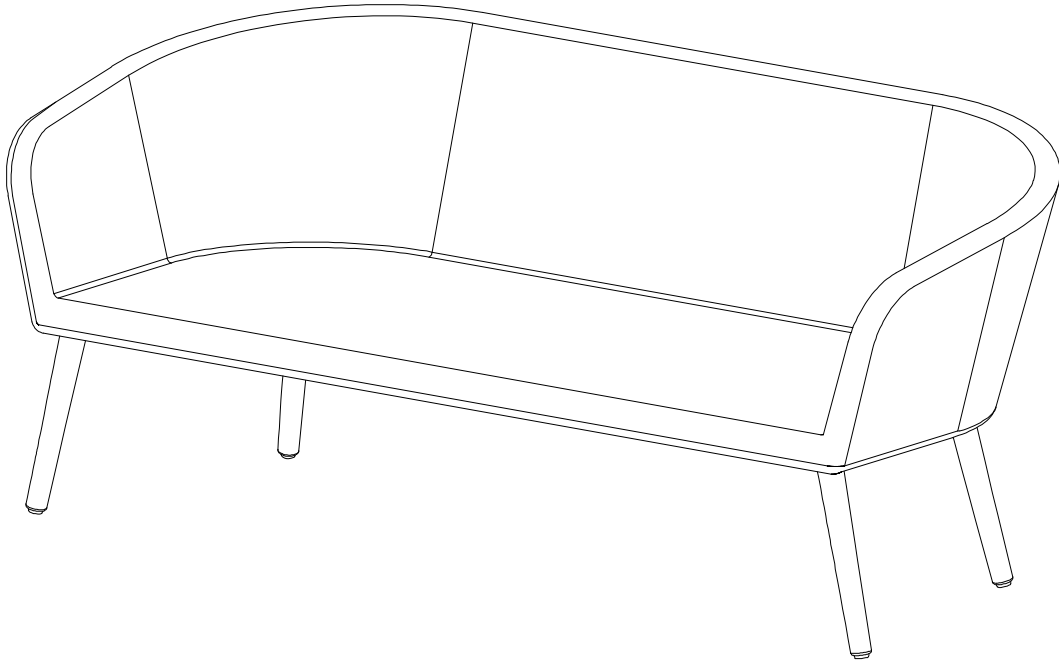
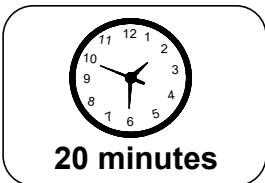
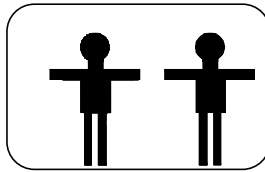


ASSEMBLY INSTRUCTIONS

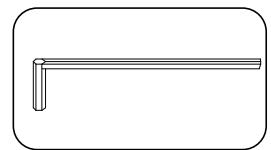
BENCH



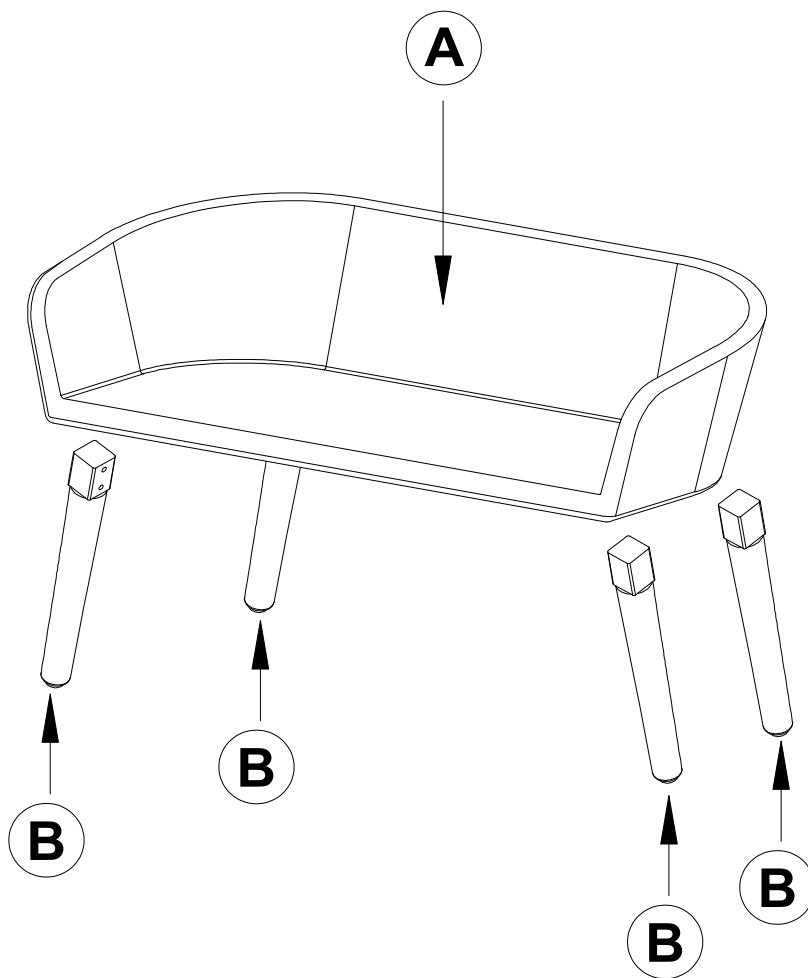
. Use of power tool to assemble this product will invalidate any claim and damage this product making it unsafe!!!
. Please assemble on a clean soft surface to avoid damage.




Tool Included



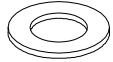

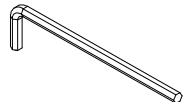
Part List- Bench

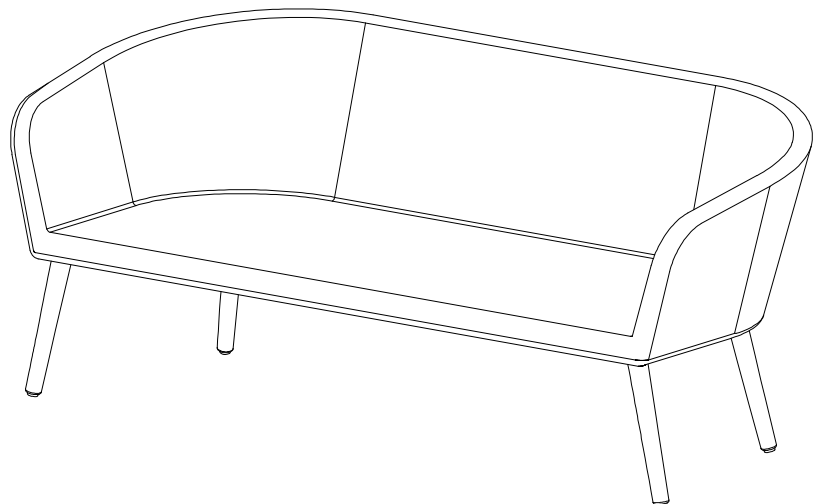
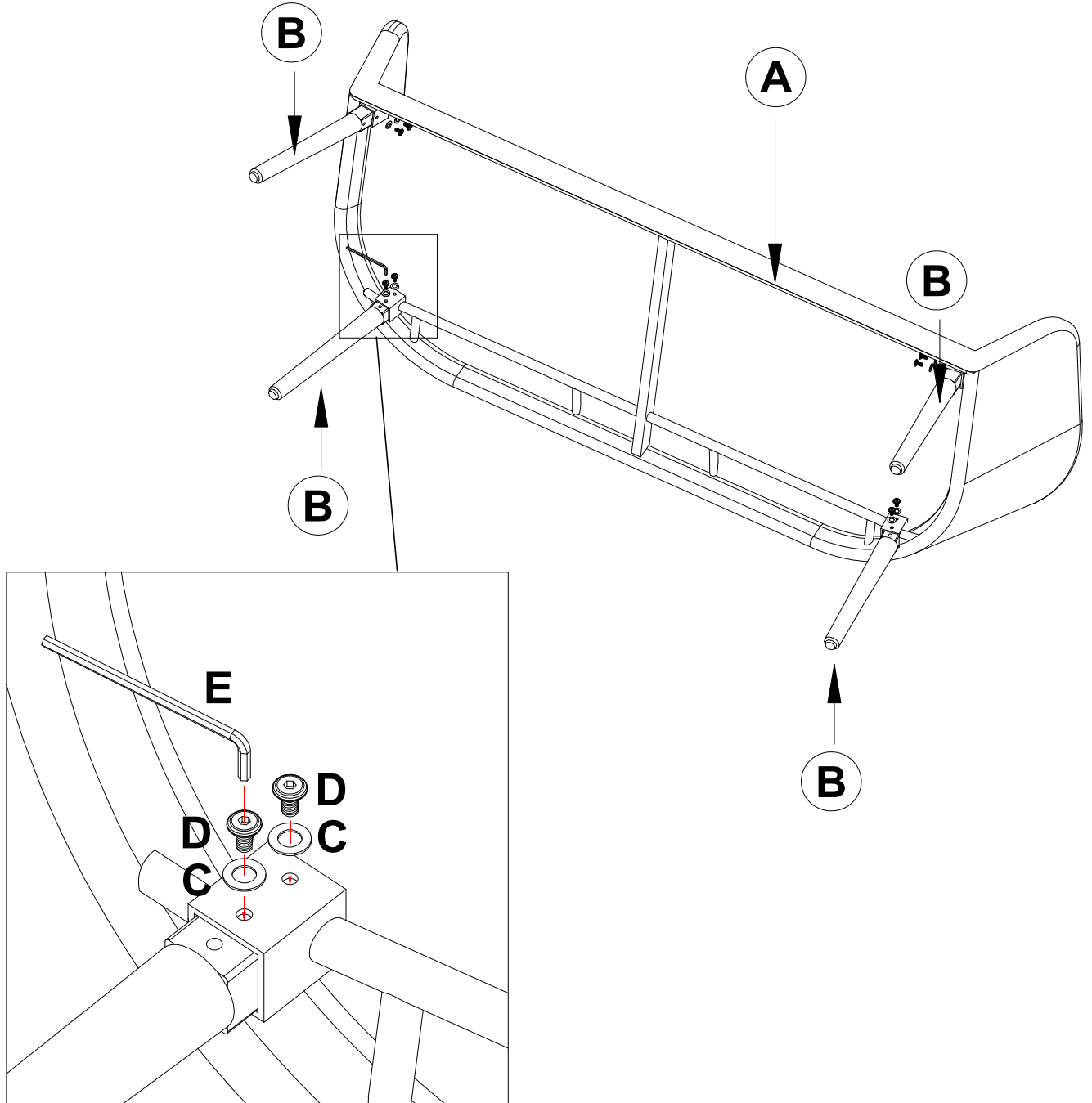


Identifying the hardware-Identify the hardware using the illustrations below.

C  08	D  08 M6x20mm	E  01
--	--	--

STEP 1

C  08	D  08 M6x20mm	E  01
---	---	--



Chair