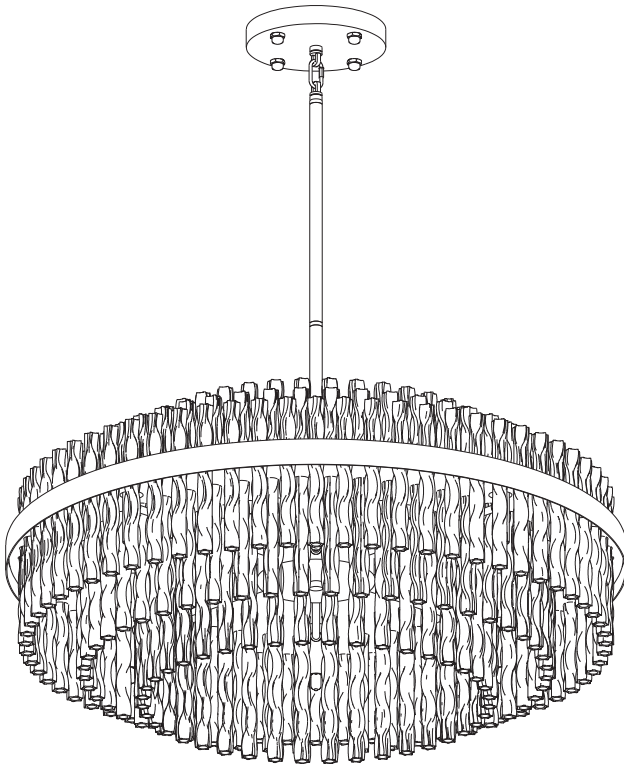


INSTALLATION MANUAL

CHANDELIER

Model No.: HLP433BR-16A



Installation Video Applicable

Safety Rules

WARNING: BE SURE THE ELECTRICITY TO THE WIRES YOU ARE WORKING ON IS SHUT OFF; EITHER THE FUSE IS REMOVED OR THE CIRCUIT BREAKER IS TURNED OFF. TURNING THE POWER OFF USING THE LIGHT SWITCH IS NOT SUFFICIENT TO PREVENT ELECTRICAL SHOCK.

NOTE: The important safeguards and instructions appearing in this manual are not meant to cover all possible conditions or situations that may occur. It must be understood that common sense, caution, and care, are factors which cannot be built into any product. These factors must be supplied by the person(s) installing this unit.

READ & SAVE THESE INSTRUCTIONS

CAUTION: Before assembling the lighting fixture, refer to the section titled Wiring Connections. If you feel you do not have enough electrical wiring experience, either refer to a do-it-yourself wiring handbook or have your lighting fixture installed by a qualified, licensed electrician.

INSTALLATION & OPERATION INSTRUCTIONS GENERAL

Before starting the installation, disconnect the power by turning off the circuit breaker or by removing the appropriate fuse at the fuse box.

Turning the power off using the light switch is not sufficient to prevent electrical shock.

All electrical connections must be in accordance with local and National Electrical Code (NEC) standards. If you are unfamiliar with proper electrical wiring connections, obtain the services of a qualified electrician.

Recommended Use:

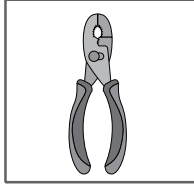
For heavy fixtures like large fans and crystal chandeliers, use a Reinforced Fan Box with support. The box holds 70–150 lbs (31.7–68 kg) and must be firmly mounted to ceiling beams.

Installation Preparation

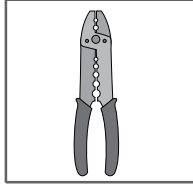
Tools You Need



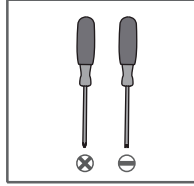
Ladder



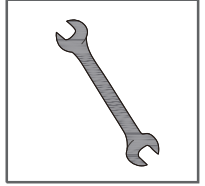
Pliers



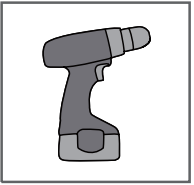
Wire Strippers



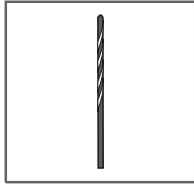
Screwdrivers



Wrench



Power Drill
(optional)

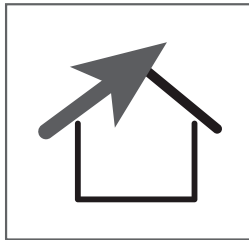


Drill Bit
(optional)

What to Expect with your Installation

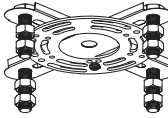


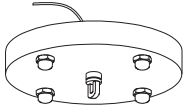








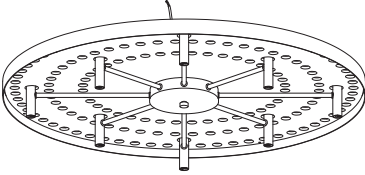





Check the box to see the weight of the light



Angled ceiling applicable

Packing List

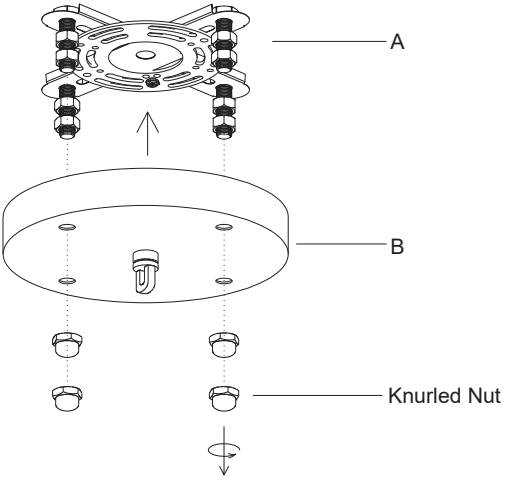
 <p>A Mounting Bracket ×1</p>	<p>AA 2x</p>  <p>Outlet Box Screw</p>	<p>BB 3x</p>  <p>Wire Nut</p>
 <p>B Canopy ×1</p>	<p>CC 4x</p>  <p>Wood Screw</p>	<p>DD 4x</p>  <p>Flat Washer</p>
 <p>C Main Downrod ×1</p>	<p>EE 4x</p>  <p>Anchor Bolt</p>	<p>FF 153x</p>  <p>Silicone Washer</p>
 <p>D Extension Downrod ×2</p>	<p>GG 153x</p>  <p>Insertion Clip</p>	<p>HH 65x</p>  <p>8" Glass Rod</p>
 <p>E Lamp Body ×1</p>	<p>II 48x</p>  <p>11" Glass Rod</p>	<p>JJ 40x</p>  <p>14" Glass Rod</p>
	<p>KK</p>  <p>Gloves</p>	<p>1x</p>

NOTE: The listed quantity is for installation, extra hardware may be included.

Installation Instructions

1. Remove the Mounting Bracket

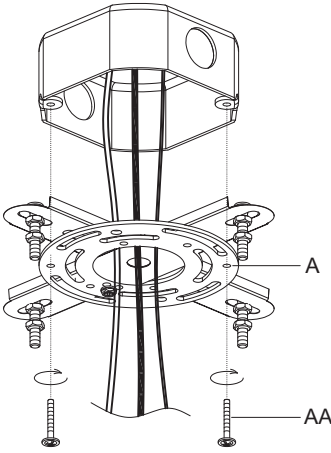
Loosen the knurled nut from the canopy (B), and take out the mounting bracket (A).



2. Mount the Bracket (3 options)

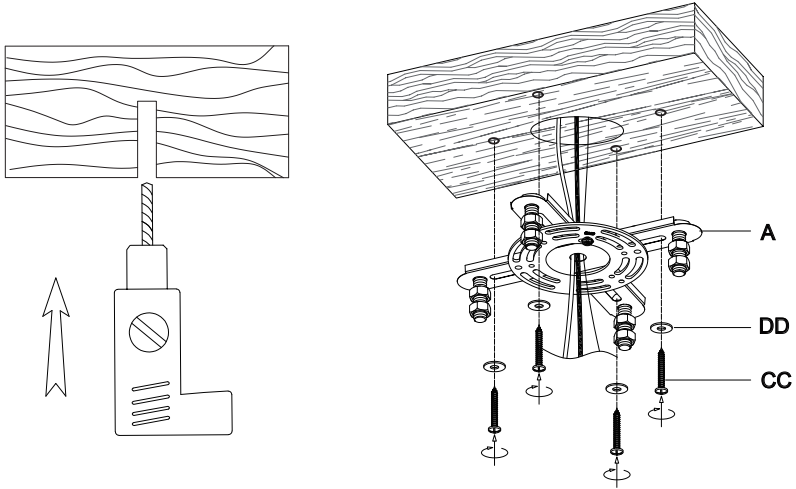
Option 1. (For Outlet Box)

Secure the mounting bracket (A) to the outlet box with screws taken off from outlet box or screws (AA) provided.



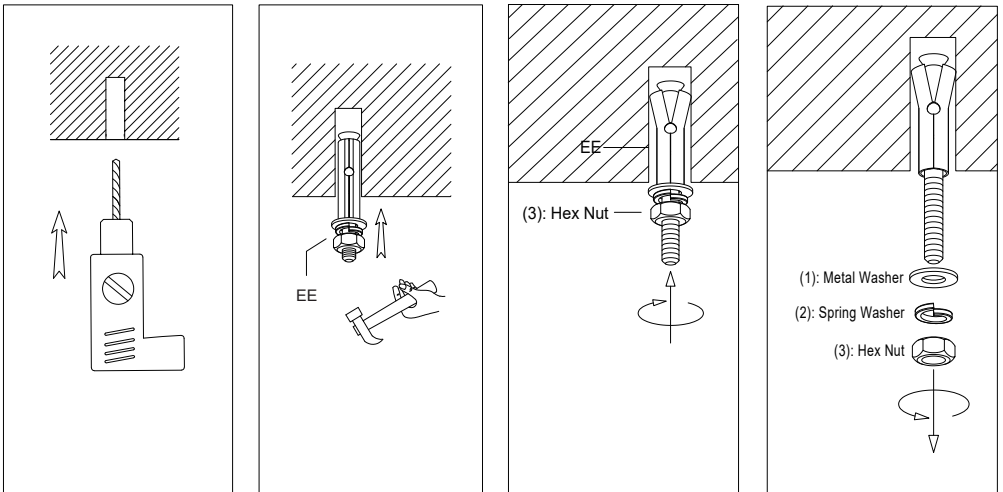
Option 2. (For Wood Structure)

Mark and drill the screw holes (Use a 1/8" drill bit) on the solid wood structure. Mount the mounting bracket with wood screws (CC) and washers (DD).



Option 3. (For Cement Structure)

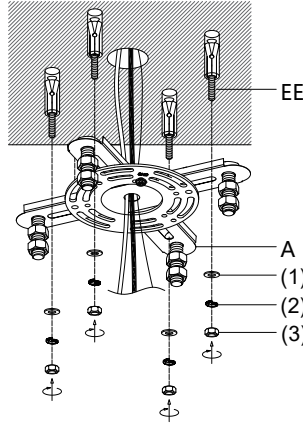
Mount the mounting bracket to the cement structure with anchor bolt (EE).



Step 1: Mark and drill screw holes on the ceiling, then insert the anchor bolt (EE). (Use a 5/16" drill bit)

Step 2: Tighten the hex nut (3) until the anchor bolt (EE) is no longer loose, and then remove the metal washer (1), spring washer (2), and hex nut (3) for spare.

Step 3: Pass the anchor bolt (EE) through the mounting bracket (A), then pass it through the metal washer (1), spring washer (2), and finally lock it with the hex nut (3).



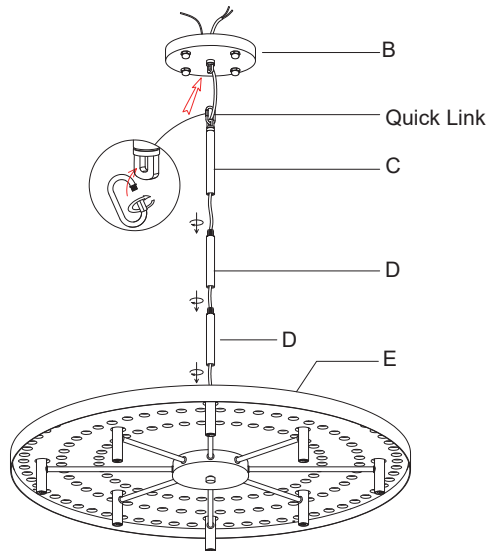
3. Install the Hanging Rod

Step 1: Pass the power cord of the lamp body (E) through the extension downrod (D), main downrod (C), and canopy (B) in turn.

Step 2: Connect the main downrod (C) and extension downrod (D) together, then screw the bottom of the downrod onto the lamp body (E).

Step 3: Loosen the quick link on main downrod (C), then connect the quick link to the canopy (B) and lock the quick link tightly.

Note: Adjust the number of downrods used according to the desired installation length.

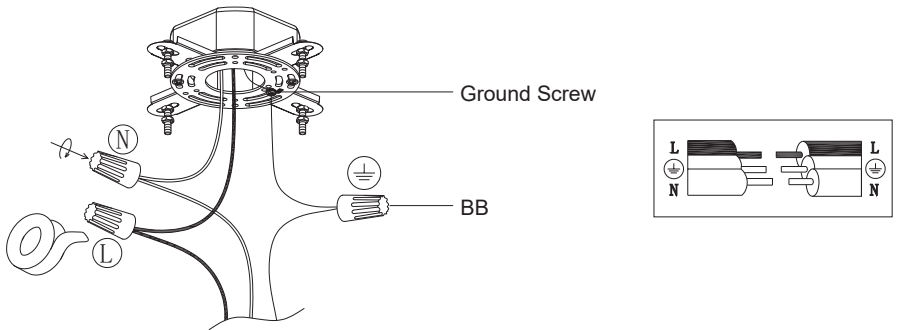


4. Connect the Wires

Step 1: Wrap the ground wire from the outlet box around the ground screw on the mounting bracket (A), and then connect the ground wire from the fixture to the ground wire from the outlet box.

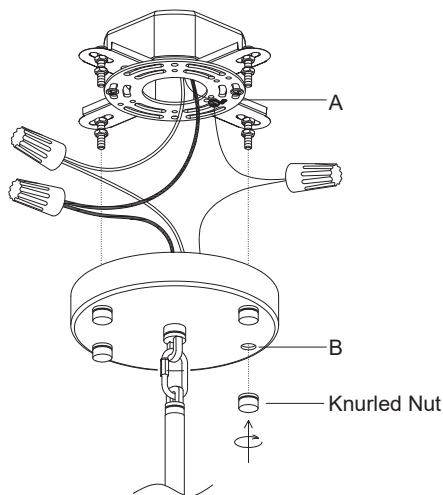
Step 2: Connect the wires from the fixture to the house supply wires with wire nut (BB), neutral wire (white) to neutral wire, and hot wire (black) to the hot wire. Wrap the connection with electrical tape.

Step 3: Spread apart the wires so that the hot wires are on one side of the outlet box and the neutral wires are on the other.



5. Fix the Canopy

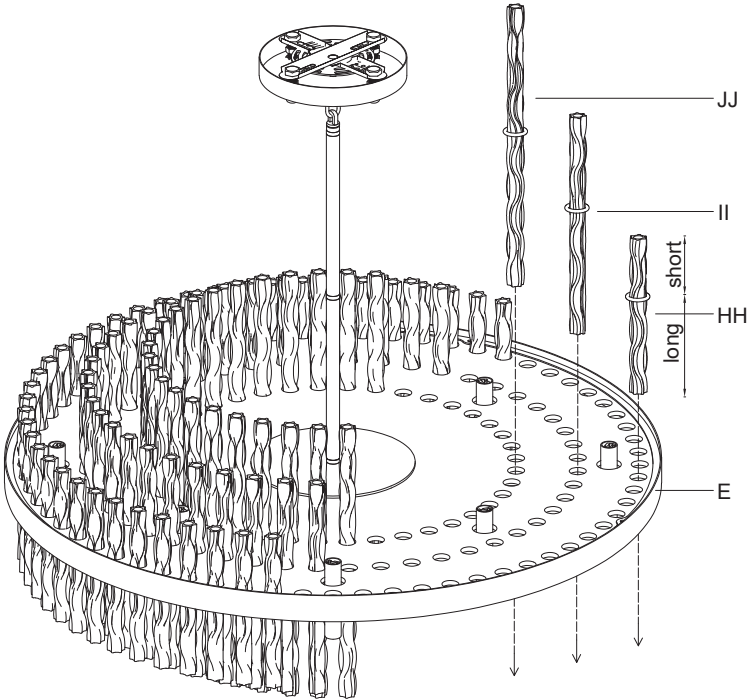
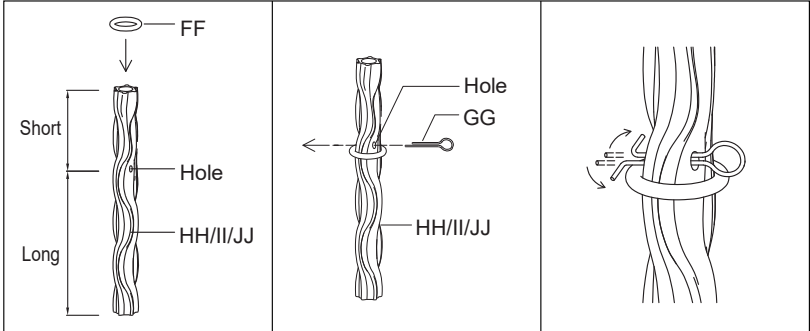
Fix the canopy (B) onto the mounting bracket (A) with knurled nuts taken off.



6.Attach the Glass

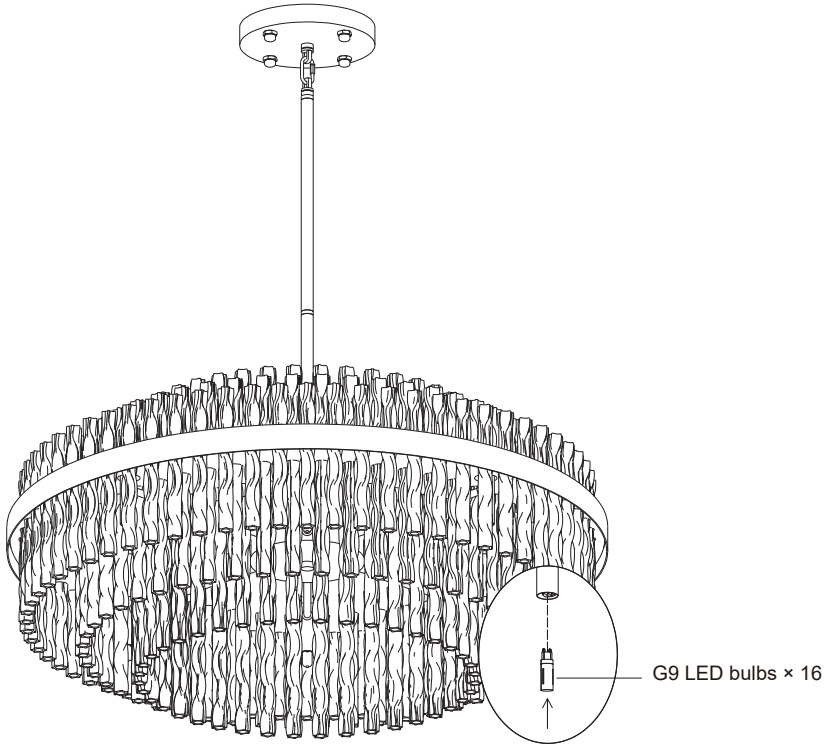
Step 1: Place the silicone washer (FF) underneath the hole of the HH/II/JJ.
Step 2: Insert the insertin clip (GG) into the hole of the HH/II/JJ, then bend to secure.

Step 3: Insert the long ends of HH/II/JJ into the holes of the lamp body (E).



7.Install Bulbs

Install Bulbs (G9 x 16, Max 7W each, not included).



Note:

- 1.To achieve dimming functionality, you need to use dimmable bulbs and a dimmer switch.
- 2.For bulbs with color temperature control, repeatedly switch "on" and "off" using the wall switch to change settings.

Trouble Shooting

1. Missing / Broken Parts

- Make a list of the missing/broken parts according to the packing list, take photos for broken parts, then email us for free replacements.

2. Bulbs Do Not Light Up

- Check your power and switch to make sure it's power on.
- For regular bulbs, make sure it is connected to the ON/OFF wall switch, not the dimmer switch.
- Replace the bulb with a new one.

3. Bulbs Flicker

- If it is a dimmer switch, use a dimmable bulb.
- Replace the bulb with a new one.

4. Could Not Install / Assemble

- Take photos of the ceiling / fixture, contact seller for technical support.

Clean And Care

To clean, wipe fixture with soft cloth. Spray from chemical cleaners can discolor the finish of fixture. Do not use scouring pads, powders, steel wool or abrasive paper to clean this fixture.

Ordering Parts

Keep this manual for future reference, and in case replacement parts are needed. Available parts can be ordered from place of purchase. Use exact wording from diagrams when ordering parts.