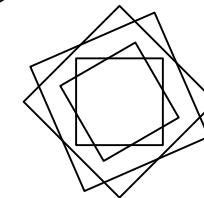
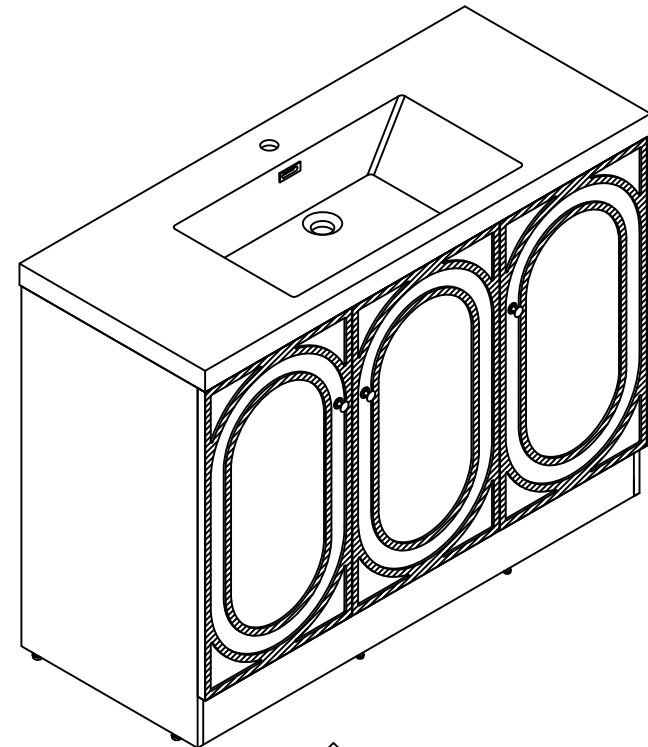


THANKS FOR WATCHING

Your feedback is invaluable to us and we would love to hear about your experience. Please take the time to leave us a review.



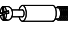



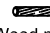












Thank you for shopping with us!

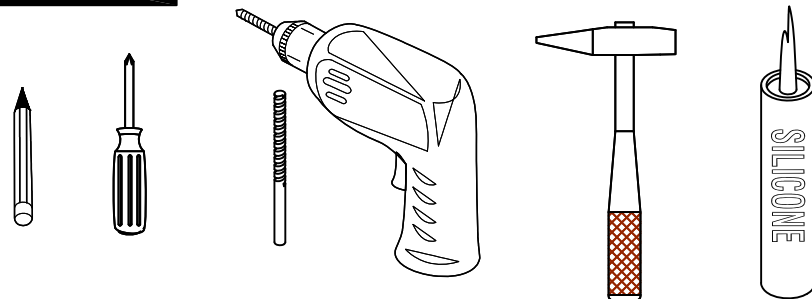
We encourage you to take a few minutes to go through this booklet. It contains important information on installation and care tips to keep your furniture looking as good as new.

Item NO.:BV B10648

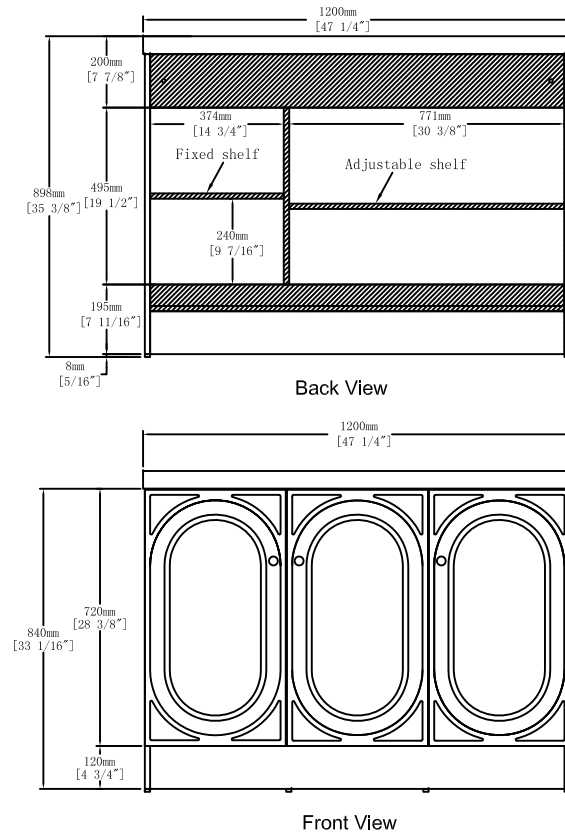
Hardware

NO.	Draw	QTY	NO.	Draw	QTY
A	 Screws Ø4x14mm	56	J	 Hinges(Full cover)	4
B	 Two-in-one connector	36	K	 Handle	3
C	 Two-in-one connector	36	L	 Screws M4x22mm	3
D	 Wood plug	7	M	 Adjustable feet	6
E	 Plastic anchor(Ø10mm)	2	N	 Movable laminate support	4
F	 Screws for fix on the wall	2	O	 Screws Ø4x25mm	1
G	 Bracket (53x70x44mm)	2	P	 Anti-collision gasket	6
H	 Bracket (19x19x35mm)	2	Q	 Screwdriver	1
I	 Hinges(Half cover)	2			

Recommended tools



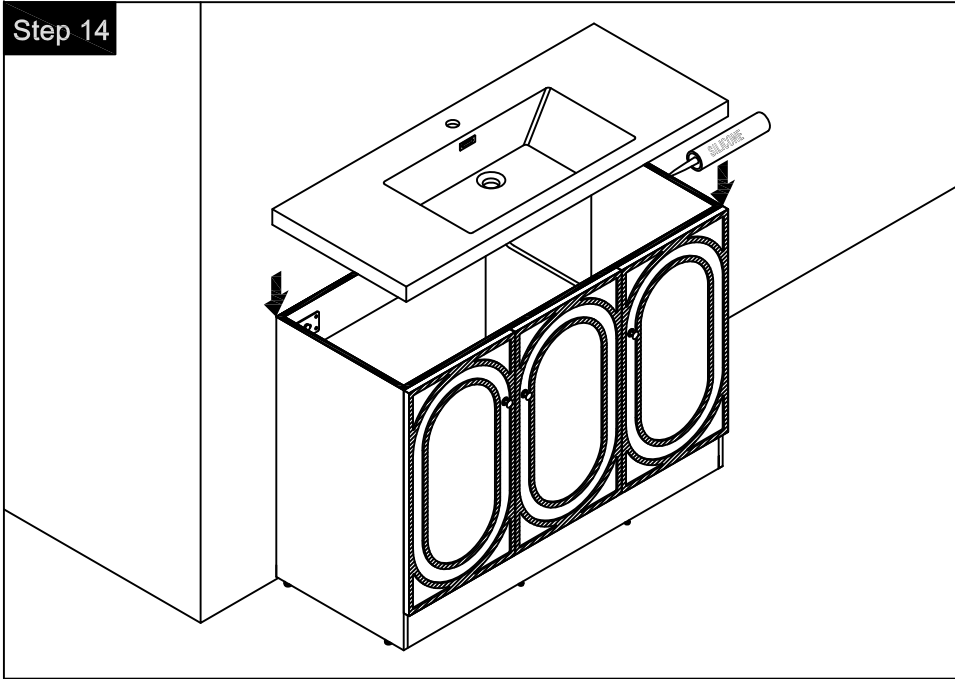
Dimensions



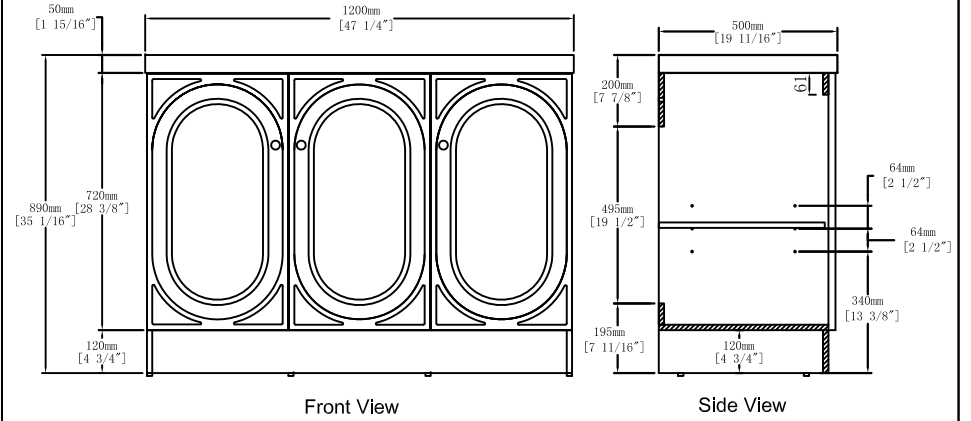
CARE CLEANING AND MAINTENANCE

1. Dust regularly with a soft , dry cloth.
2. Avoid the use of all chemicals household cleaners, abrasives, or cleaners that contain lemon, vinegar, or other acids that may damage the finish.
3. Excessive exposure to sunlight and extreme changes in temperature and moisture can damage wood furniture.
4. The sink is fragile, please pay attention to maintaining its appearance.
5. Do not place hot appliances, such as curling irons and hot hair dryers directly on the countertop. Wipe spills immediately.

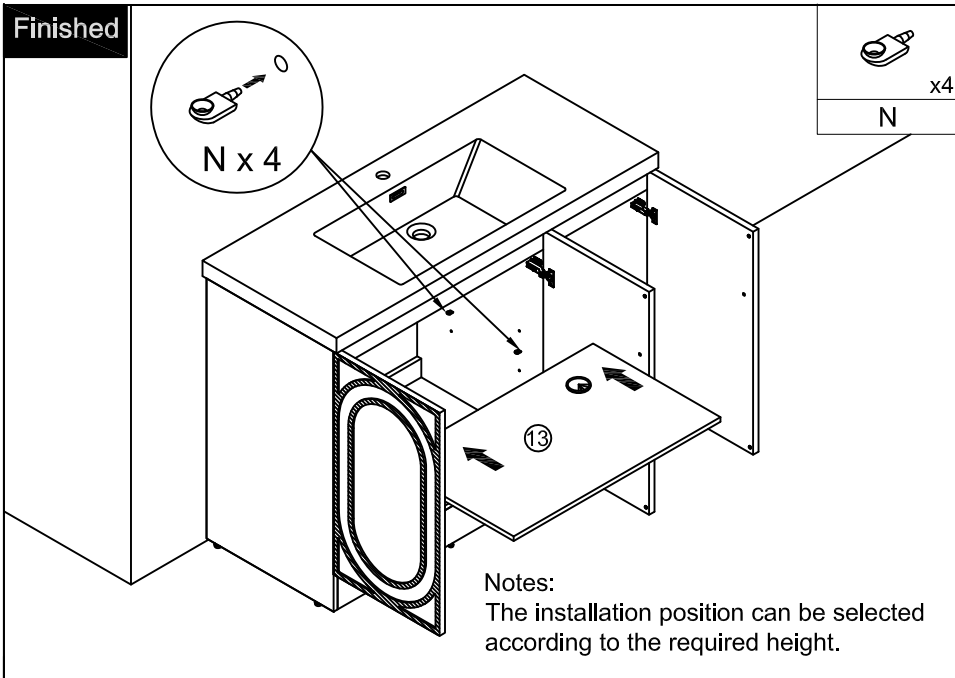
Step 14



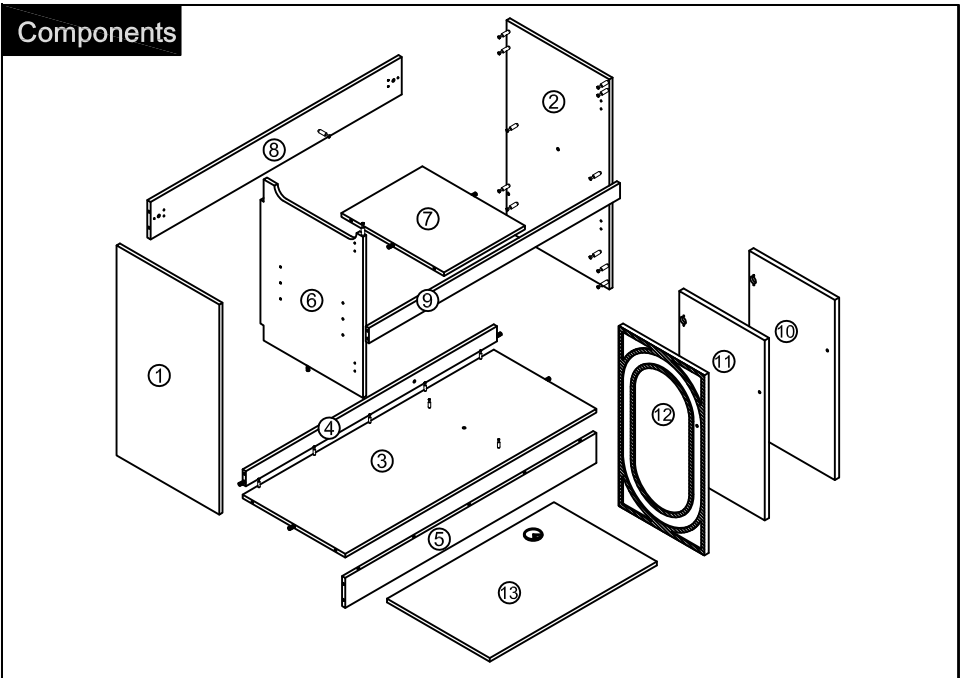
Dimensions



Finished



Components



Step 1

Notes: Screw installation depth as shown

Attention: Cam lock arrow point to the steel rod.

	x5
B	
	x5
C	
Q	

Step 2

Notes: Screw installation depth as shown

first step second step third step

	x5
B	
	x5
C	
Q	

Step 12

Notes: Screw installation depth as shown

Attention: Cam lock arrow point to the steel rod.

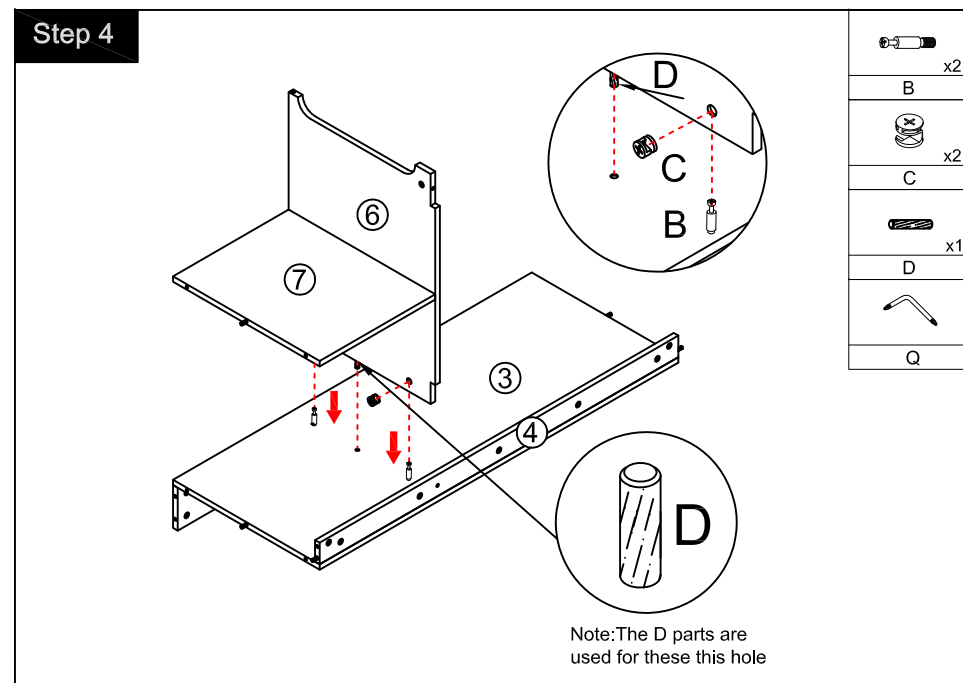
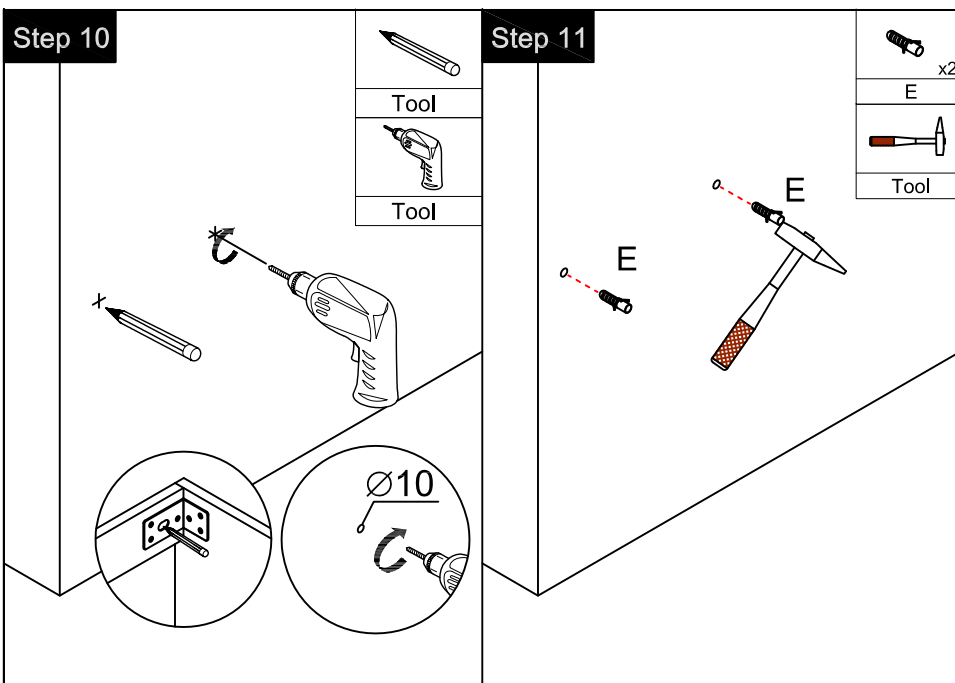
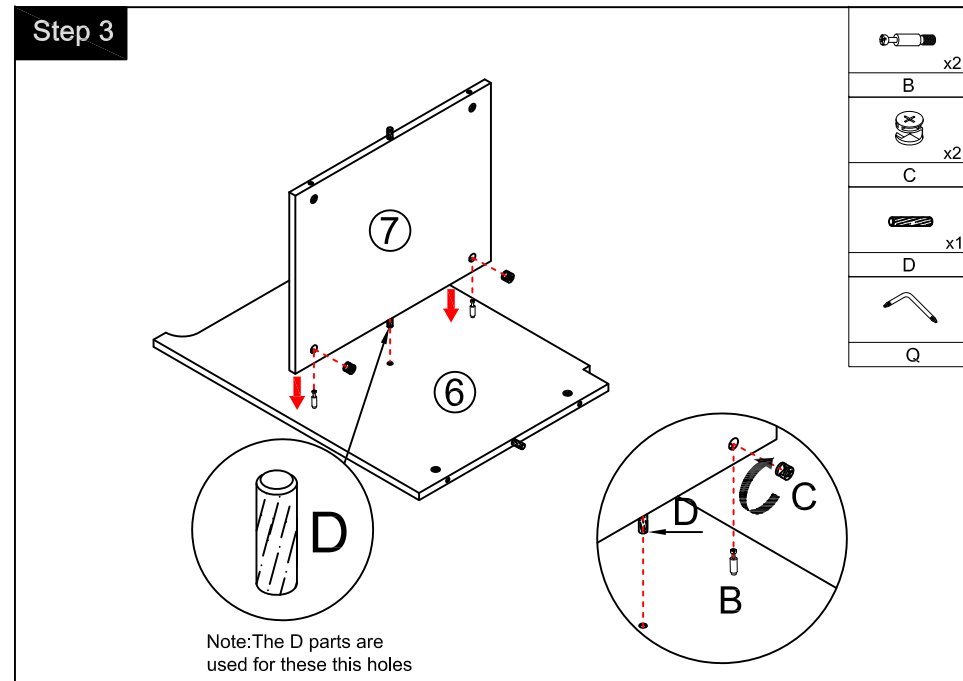
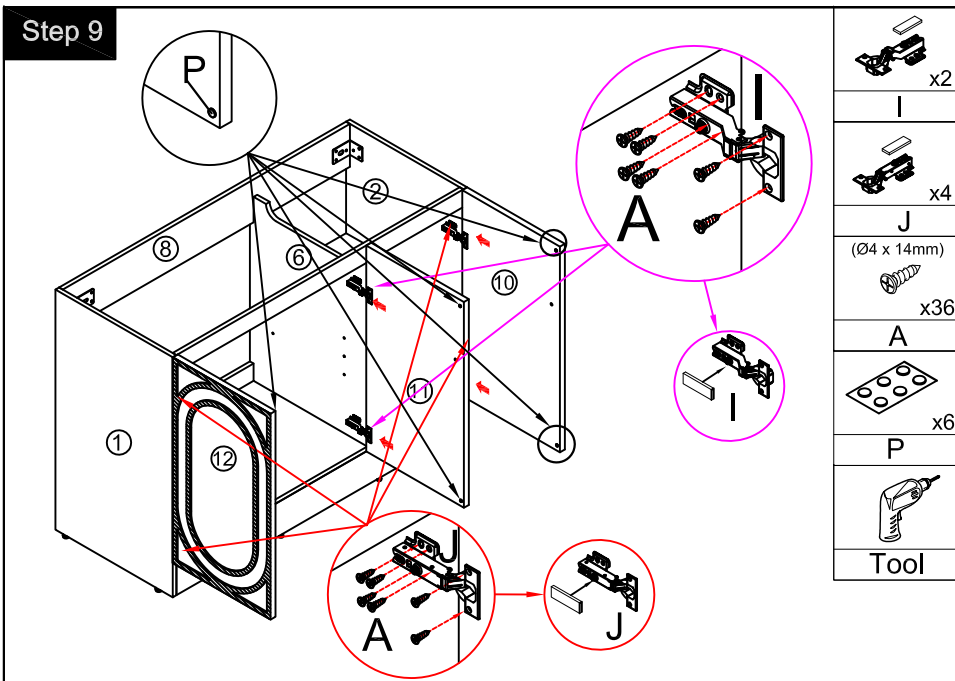
	x3
K	
(M4 x 22mm)	
	x3
L	
Tool	

Step 13

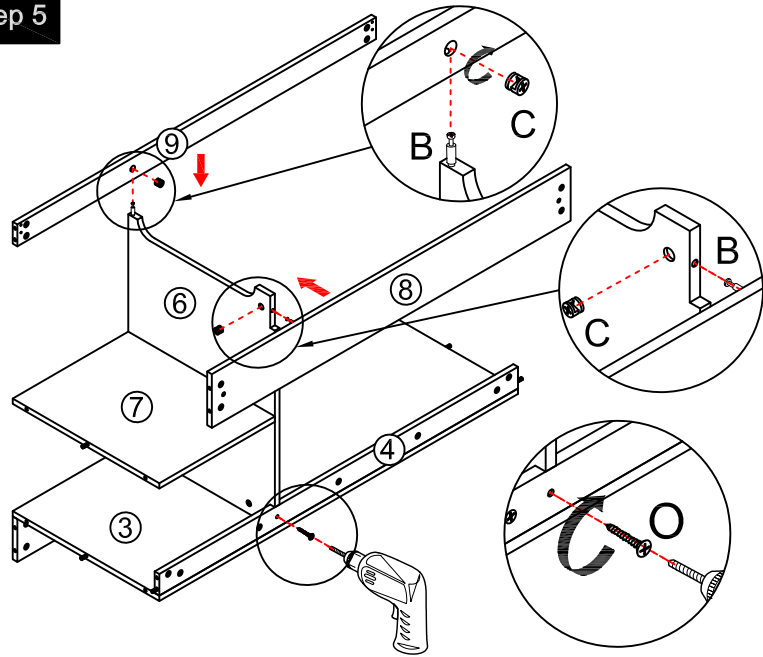
Notes: Screw installation depth as shown

Attention: Cam lock arrow point to the steel rod.

	x2
F	
Tool	

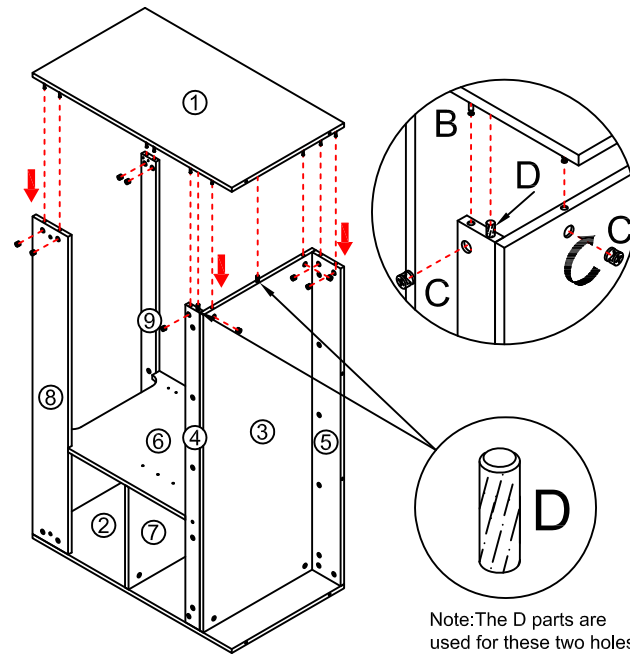


Step 5



	x2
B	
	x2
C	
(Ø4 x 25mm)	
	x1
O	
Tool	

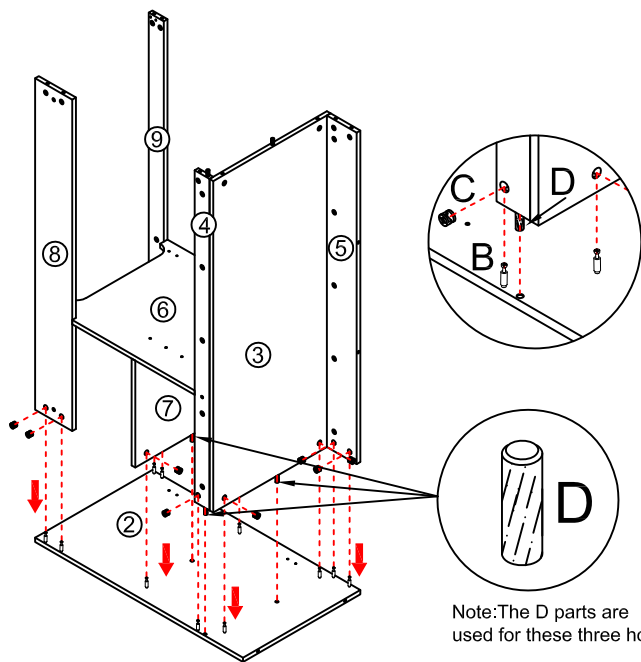
Step 7



Note: The D parts are used for these two holes

	x9
B	
	x9
C	
	x2
D	
Q	

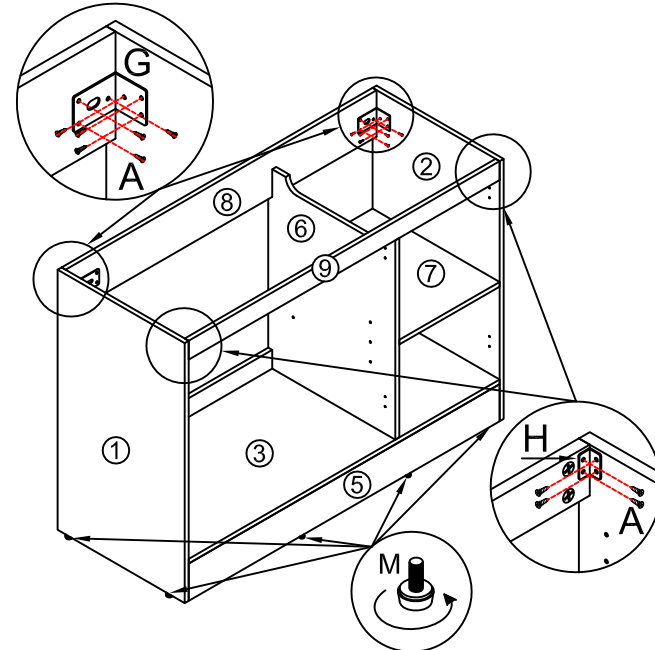
Step 6



Note: The D parts are used for these three holes

	x11
B	
	x11
C	
	x3
D	
Q	

Step 8



	x2
A	
	x2
G	
	x2
H	
(Ø4 x 14mm)	
	x20
M	
	x6
A	
Tool	