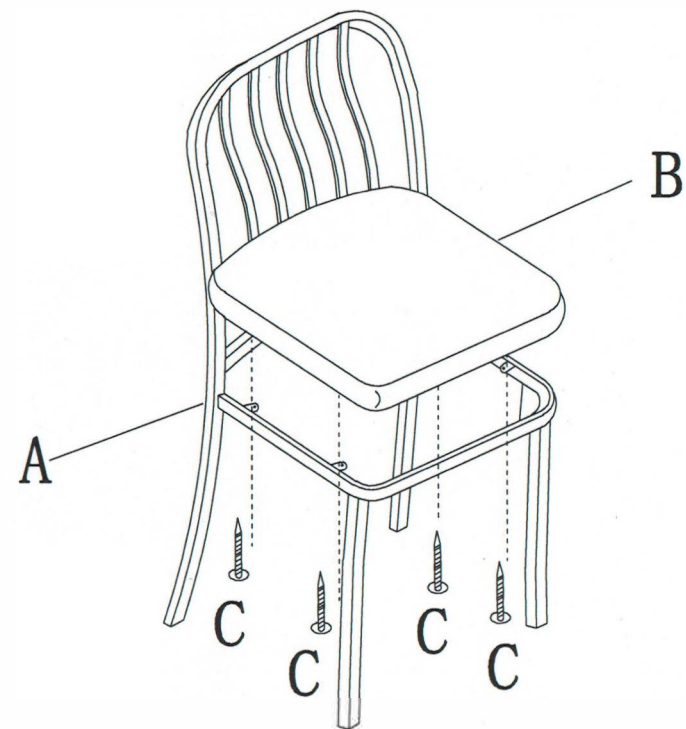
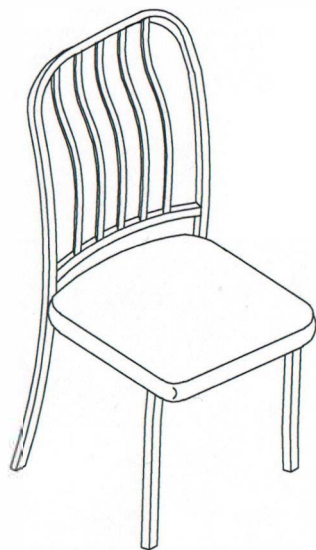
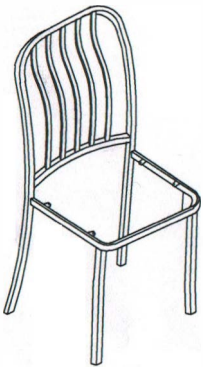

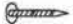


ASSEMBLY INSTRUCTIONS



		
A*1PC	B*1PC	M5*18MM
		C*4PCS