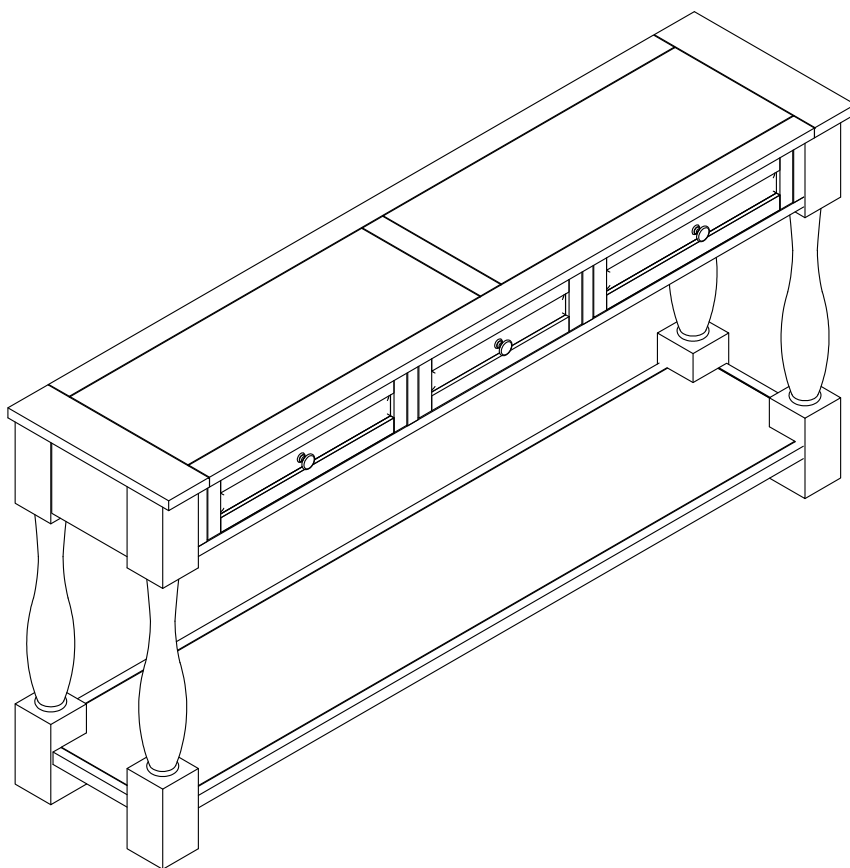
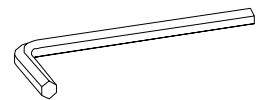


# ASSEMBLY INSTRUCTIONS

---



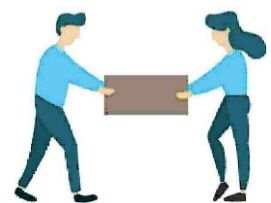
## TOOLS REQUIRED



Allen key  
(Included)




Screwdriver  
(Not included)



2 - People

Enjoying this product? We'd love your 5-star review!  
If you have any issues, our support team is happy to help.

 **CHECK  
BEFORE STARTING**

Are you missing anything?

Please double check all hardware and parts match the assembly guide before putting the product together. If damaged, we suggest you put the item back in the box and start your claim or return

Should we send any replacements?

If there are any manufacturer defects or missing pieces please contact us for replacements. If purchased online, please contact the website of where you purchased it from, DIRECTLY

## **IMPORTANT INFO before assembly:**

If there's a problem with the parts do not attempt to assemble the product

- Place all parts on a clean and smooth surface such as a rug/carpet to avoid parts from being scratched
- When tightening screws to product do not overtighten until product is fully setup
- If product is too heavy for a single person to carry do not attempt and ask for assistance
- DO NOT DRAG or PUSH item to desired location. Must be carried when moving
- If item is not working as intended please review the assembly guide to see if any steps were missed or incorrectly built. If there's a problem with part please contact seller for additional assistance
- Please keep all hardware and small parts away from pets/infants
- Please wear gloves or protective gear to protect from getting cuts
- It is normal for new furniture to have an off gassing smell. Please air out furniture near a window for a few hours or a day before placing it in its desired location
- All products may have a slight color and texture variation due to different shipments, natural materials, screen-resolutions, or lighting in home. Images are rendered by different devices or websites

## PARTS

Ⓐ x 1

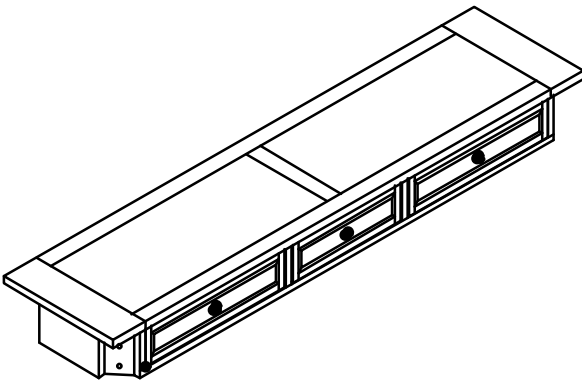


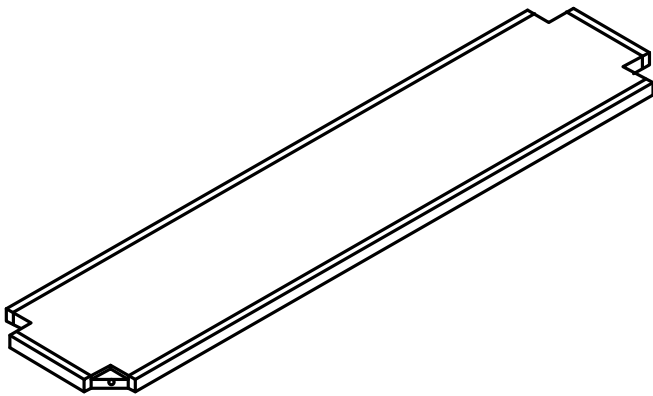
Table Frame

Ⓑ x 4



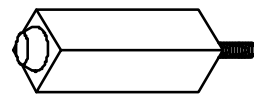
Legs

Ⓒ x 1




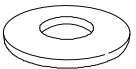




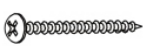


Shelf

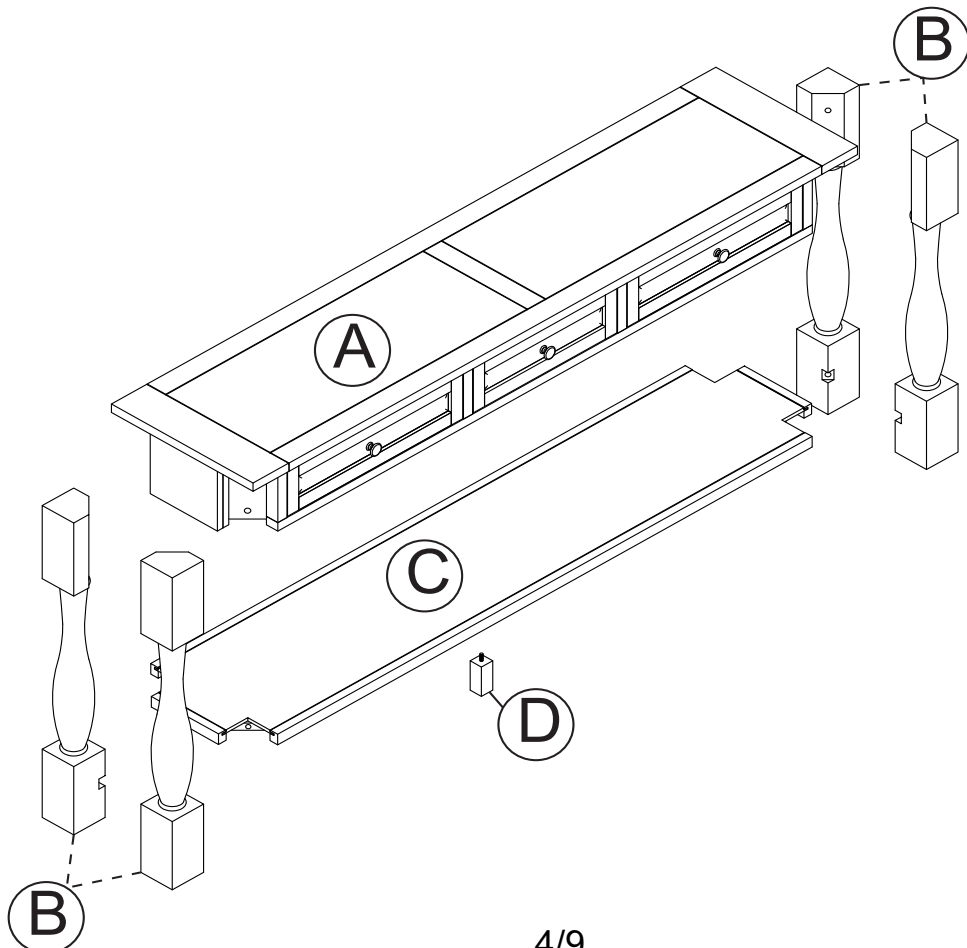
Ⓓ x 1



Support Leg

## HARDWARE

No.	OUTLOOK	DESC	QTY	
1		Bolts 5/16"x50 mm	12 PCS	
2		Plain washer Ø5/16"x19x1.5 mm	12 PCS	
3		Spring washer Ø5/16"x13 mm	12 PCS	
4		Allen key 80x30x4 mm	1 PC	
5	Anti Tip Kit		Plastic Anchor	1 PC
			Metal Bracket	2 PCS
			Long screw M4 x 40	1 PC
			Short screw M4 x 15	1 PC
			Steel wire	1 PC



# PARTS

check that you've received all parts listed below

BOX : 1

(A) x 1

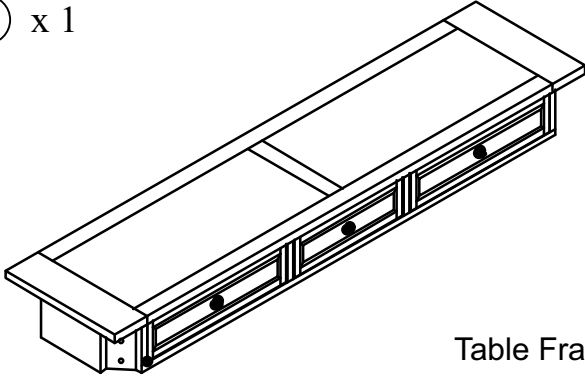
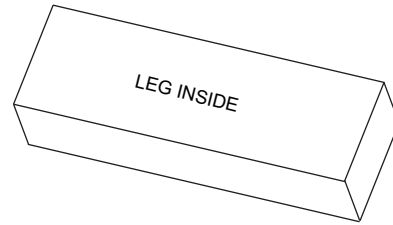


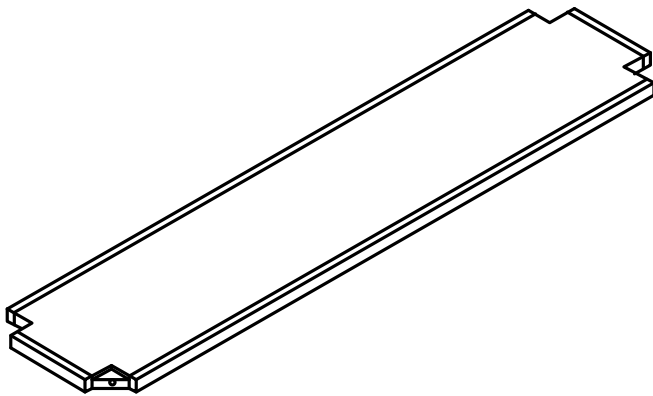
Table Frame

(B) x 4



Box under Table Frame

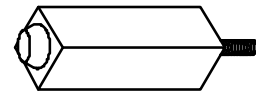
(C) x 1



Shelf

(D) x 1

Support Leg into Hardware Bag



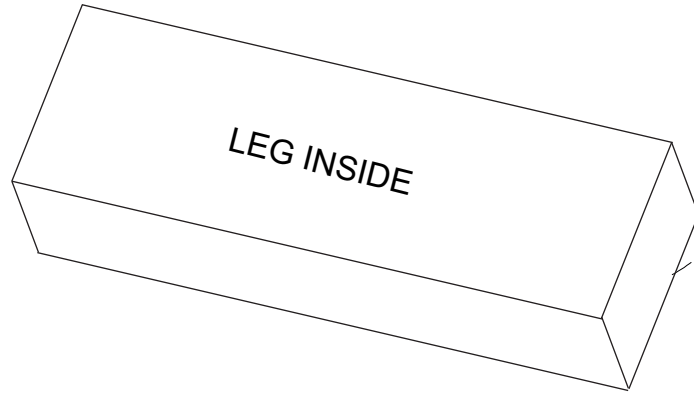
HARDWARE



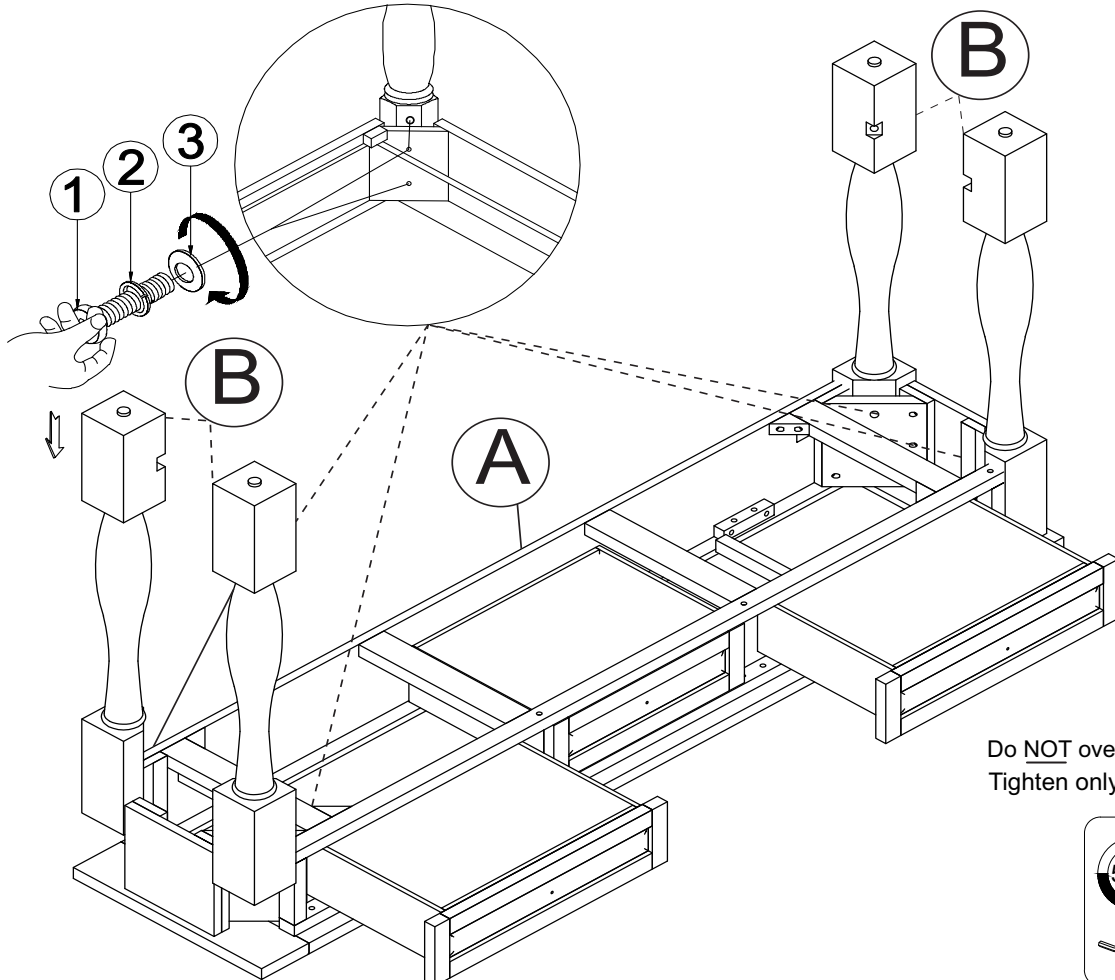
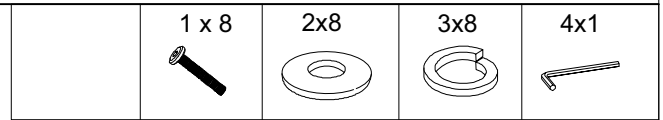
# STEP 1

Open this Box "LEG INSIDE"

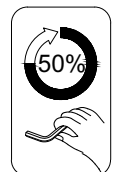
Legs ( B ) 4pcs







# STEP 2

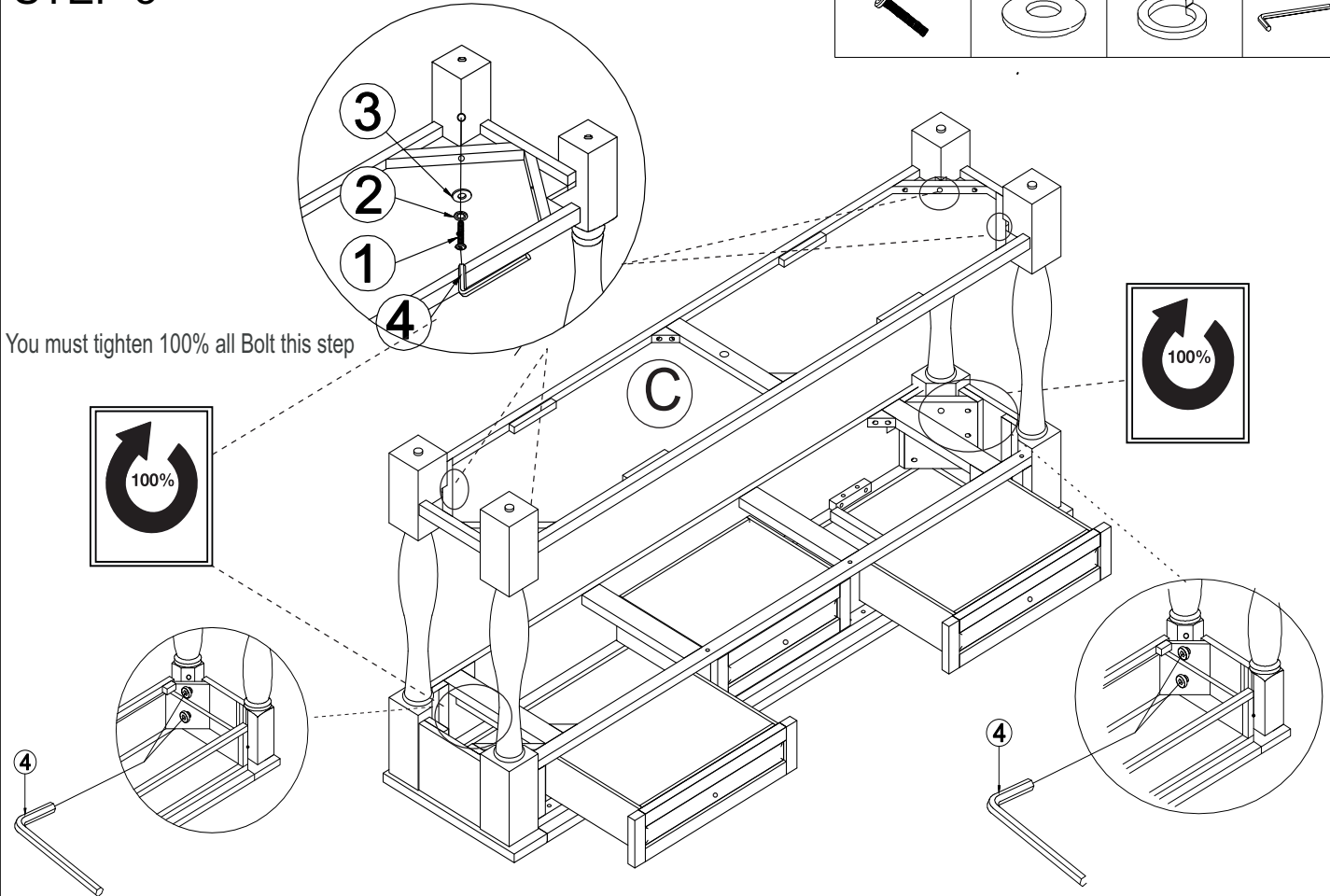


Do **NOT** overtighten hardware.  
Tighten only 50% for now.

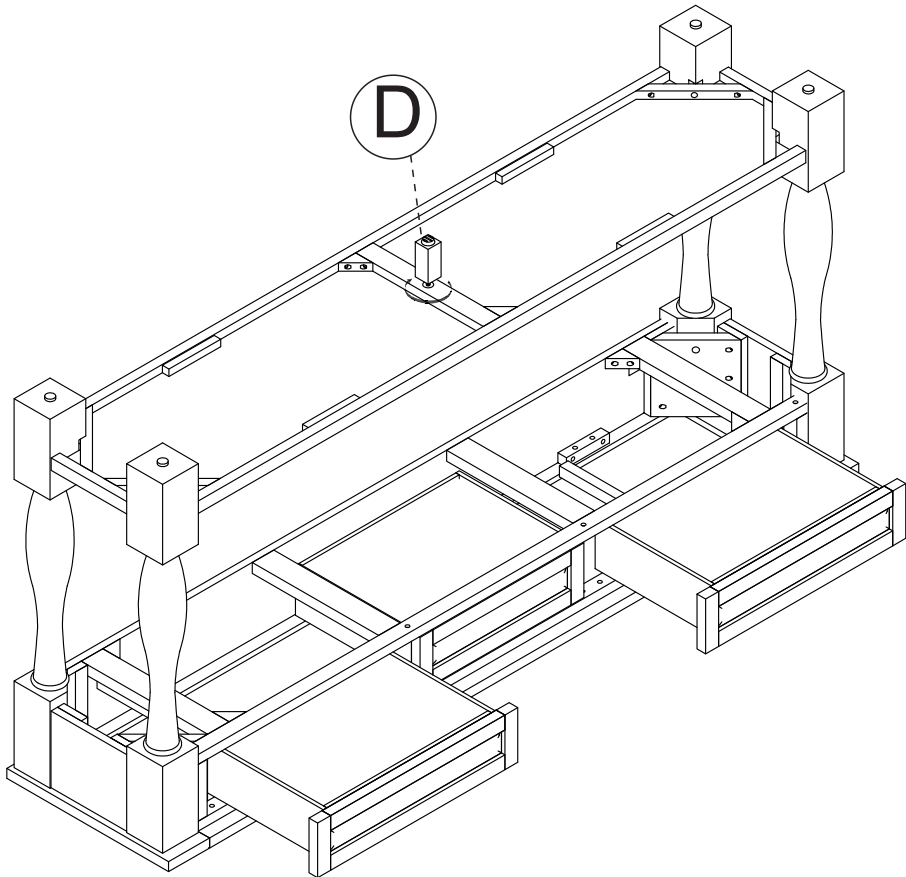


# STEP 3

1x4 	2x4 	3x4 	4x1 
--	--	--	--



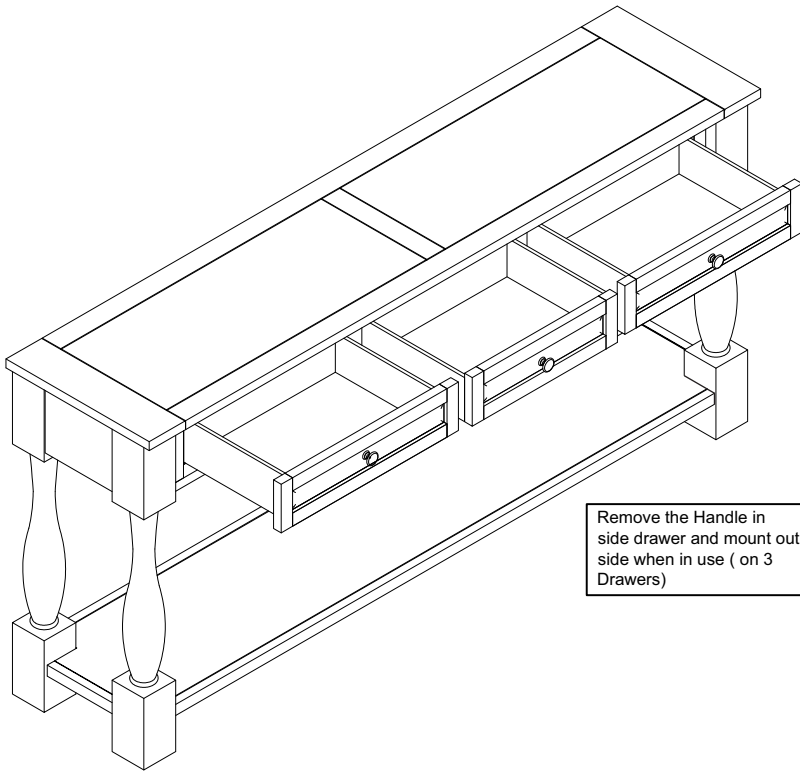
# STEP 4



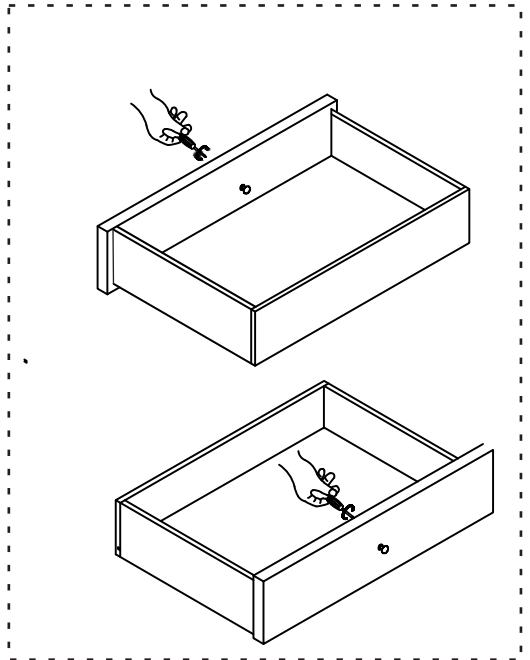
# STEP 5



Screwdriver  
(Not included)

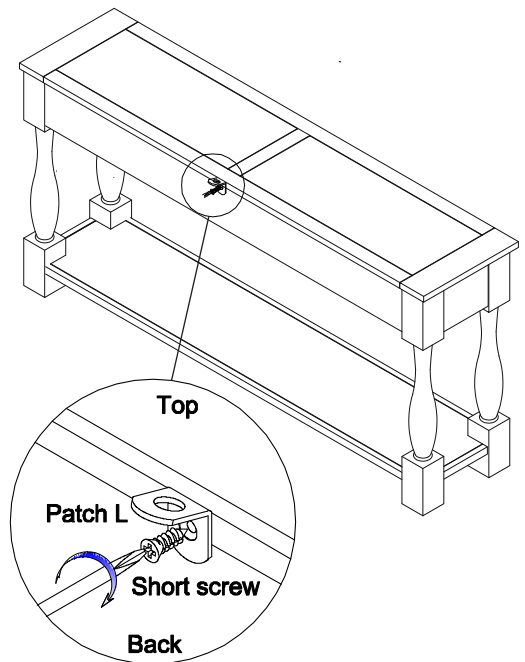
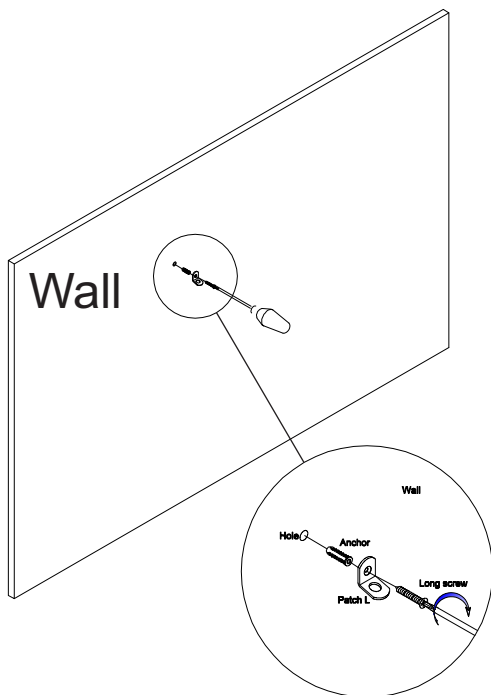


Remove the Handle in side drawer and mount out side when in use ( on 3 Drawers)



# STEP 6

1 pc	2 pcs	M4 x 40 1 pcs	M4 x 15 1 pc	1 pc



# Finish

