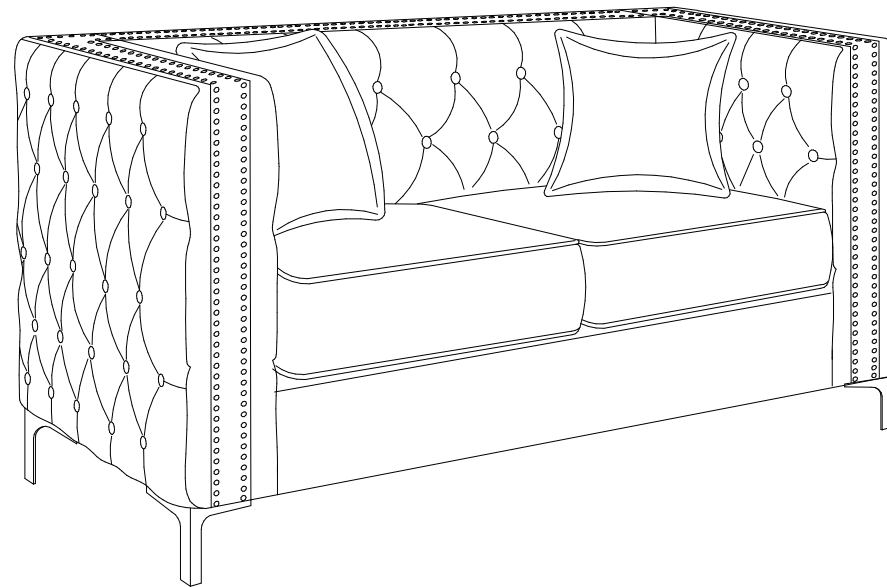


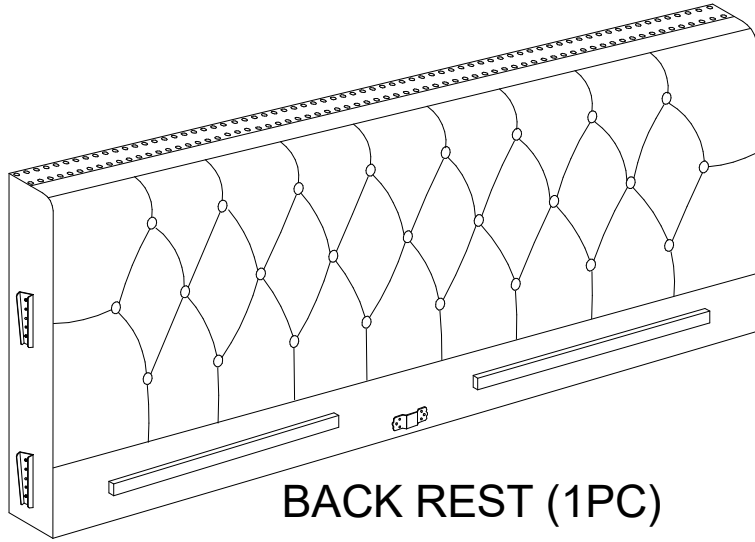
Attention:
Two people are required for assembly and lifting unit.

ASSEMBLY INSTRUCTION



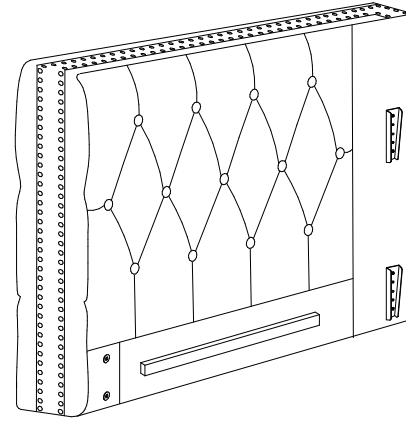
ASSEMBLY PART

1.



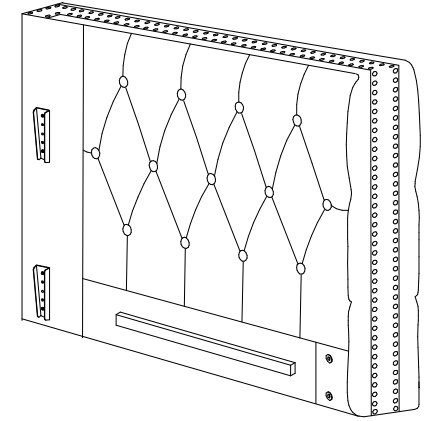
BACK REST (1PC)

2.



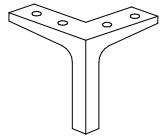
LEFT ARM (L) (1PC)

3.



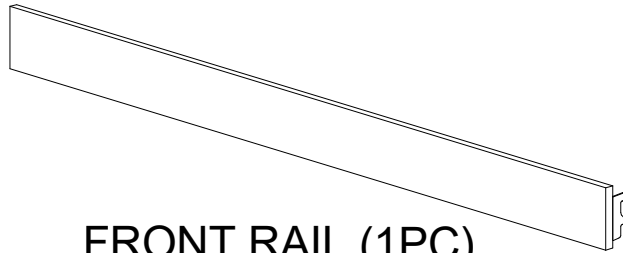
RIGHT ARM (R) (1PC)

4.



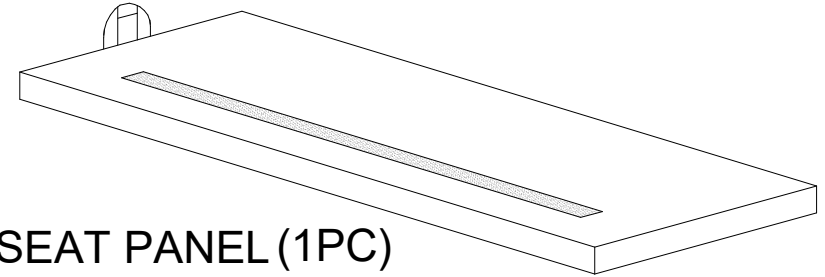
LEG (4PCS)

5.



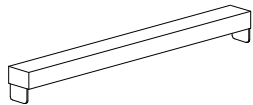
FRONT RAIL (1PC)

6.



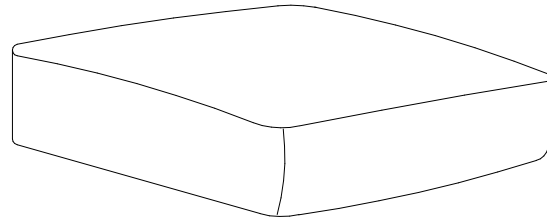
SEAT PANEL (1PC)

7.



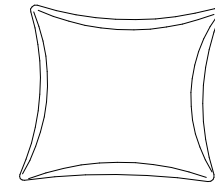
SEAT PANEL
SUPPORT (1PC)

8.



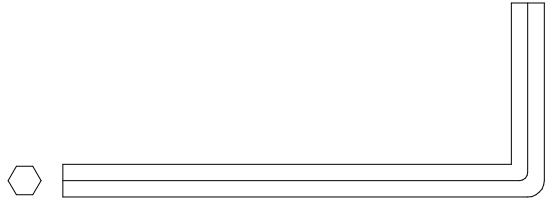
SEAT CUSHION (2PCS)

9.



PILLOW (2PCS)

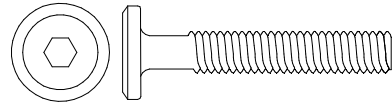
HARDWARE LIST



A

1PC

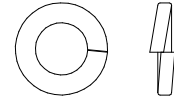
Allen Key M4



B

8PCS

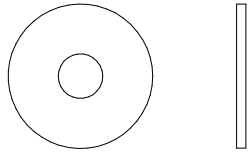
JCBC Bolt M6 X 30mm



C

8PCS

Spring Washer M6



D

8PCS

Flat Washer M6

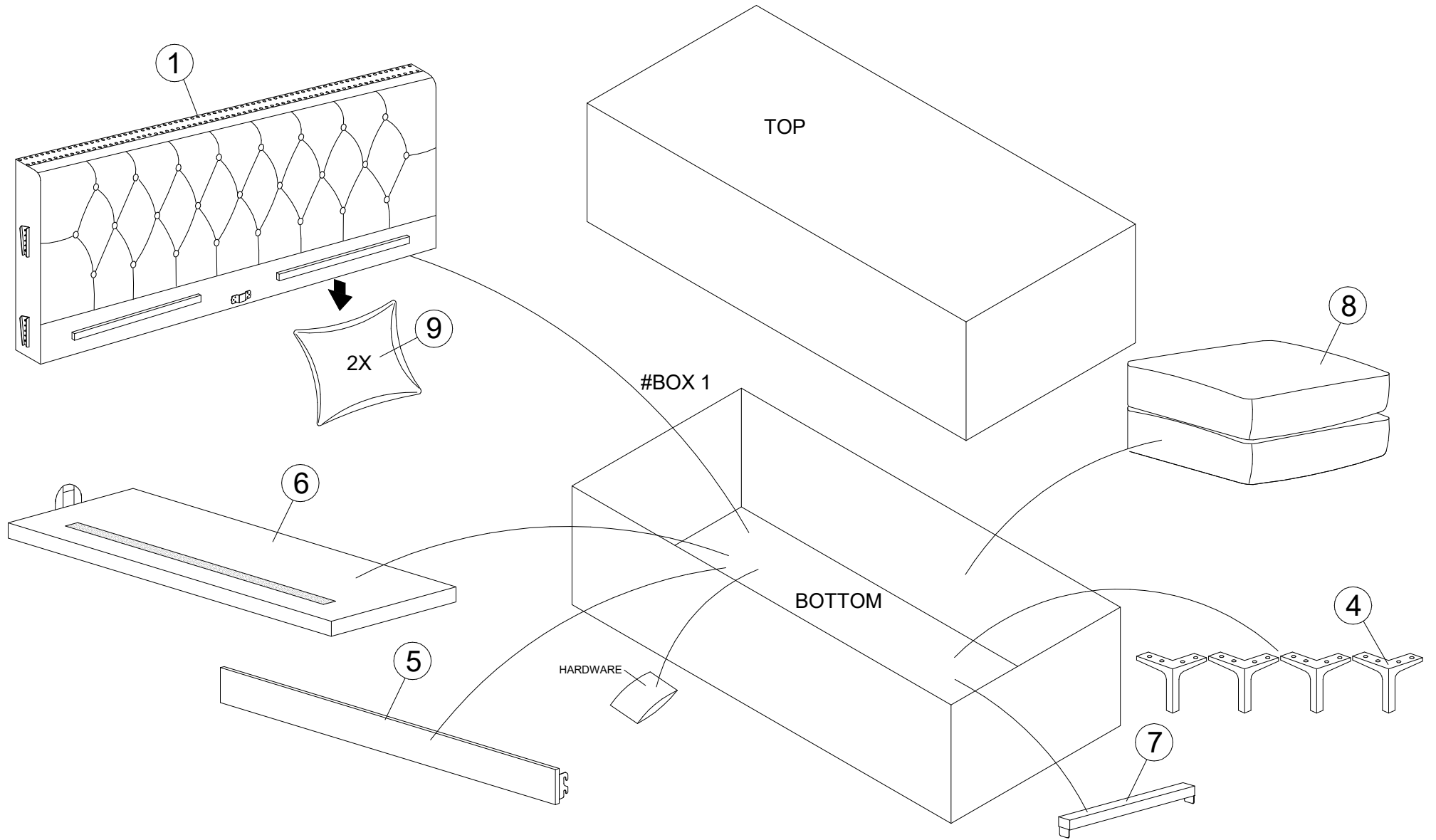
1 : 1



ASSEMBLY INSTRUCTION

STEP 1.

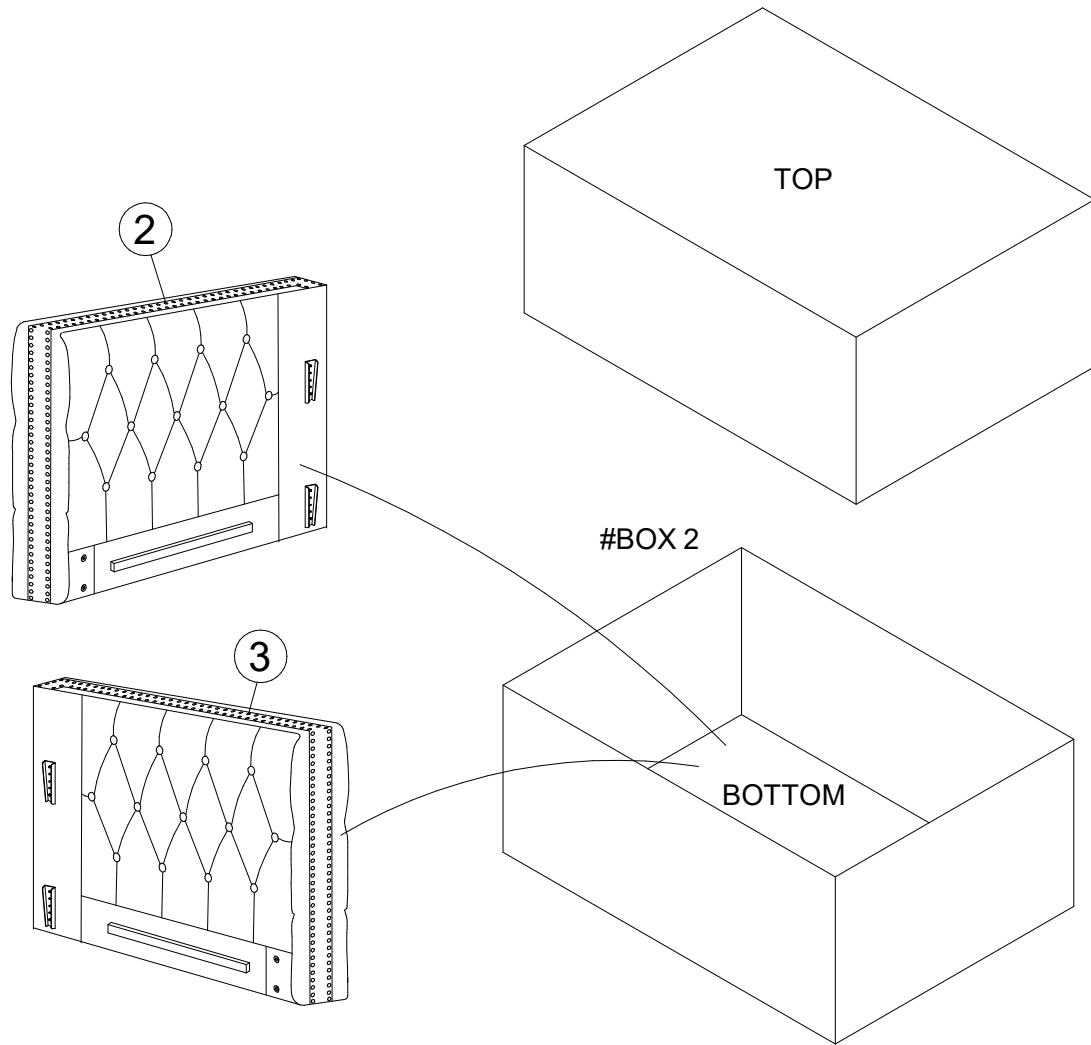
For this step remove all the part and hardware.



ASSEMBLY INSTRUCTION

STEP 2.

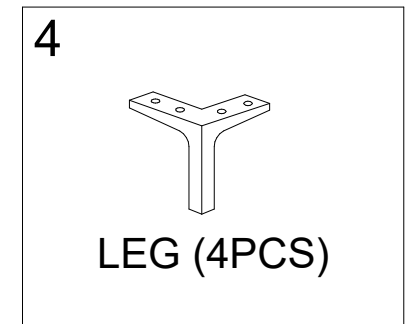
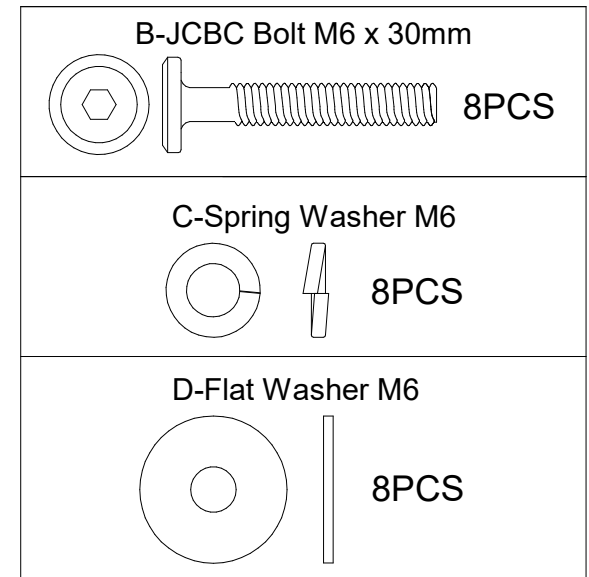
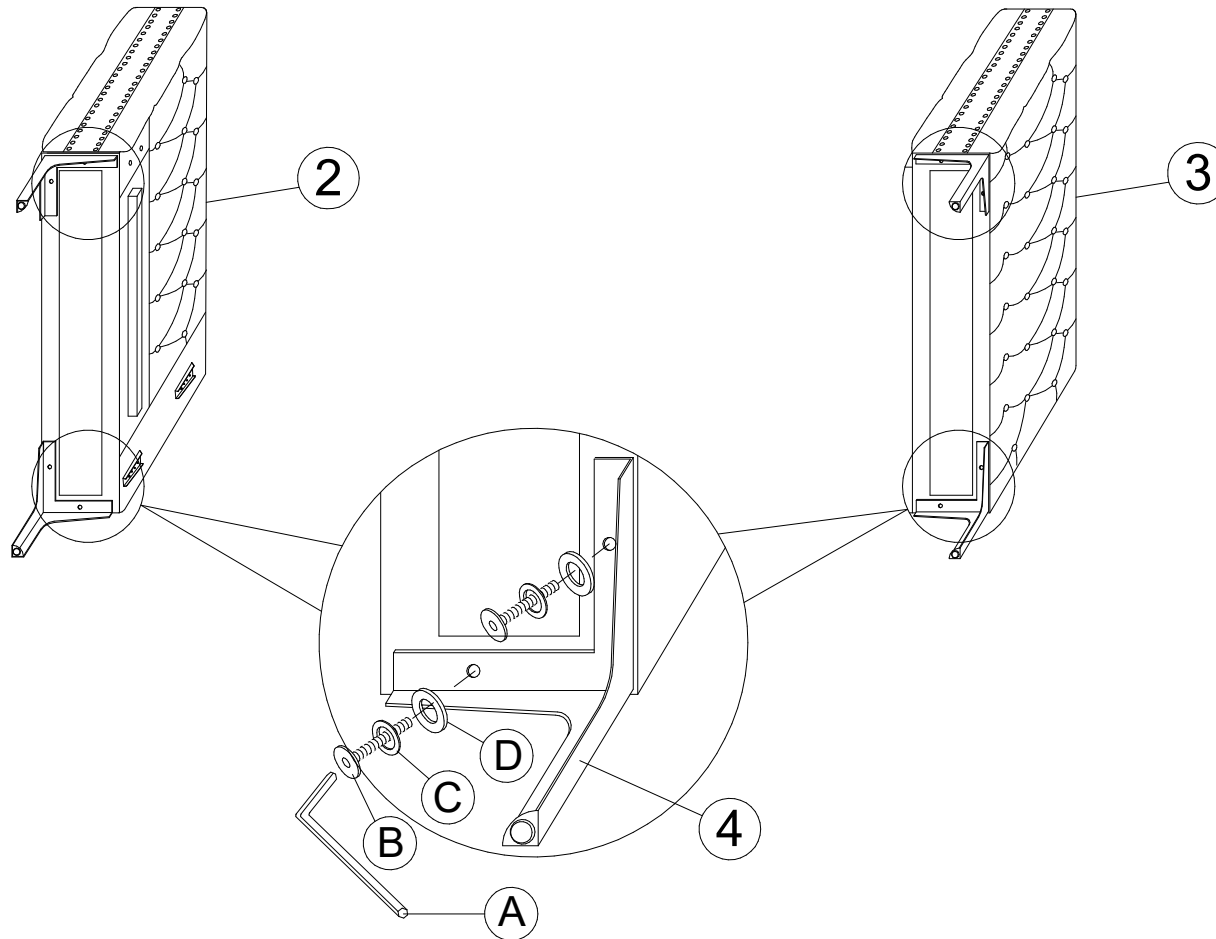
For this step remove all the part.



ASSEMBLY INSTRUCTION

STEP 3.

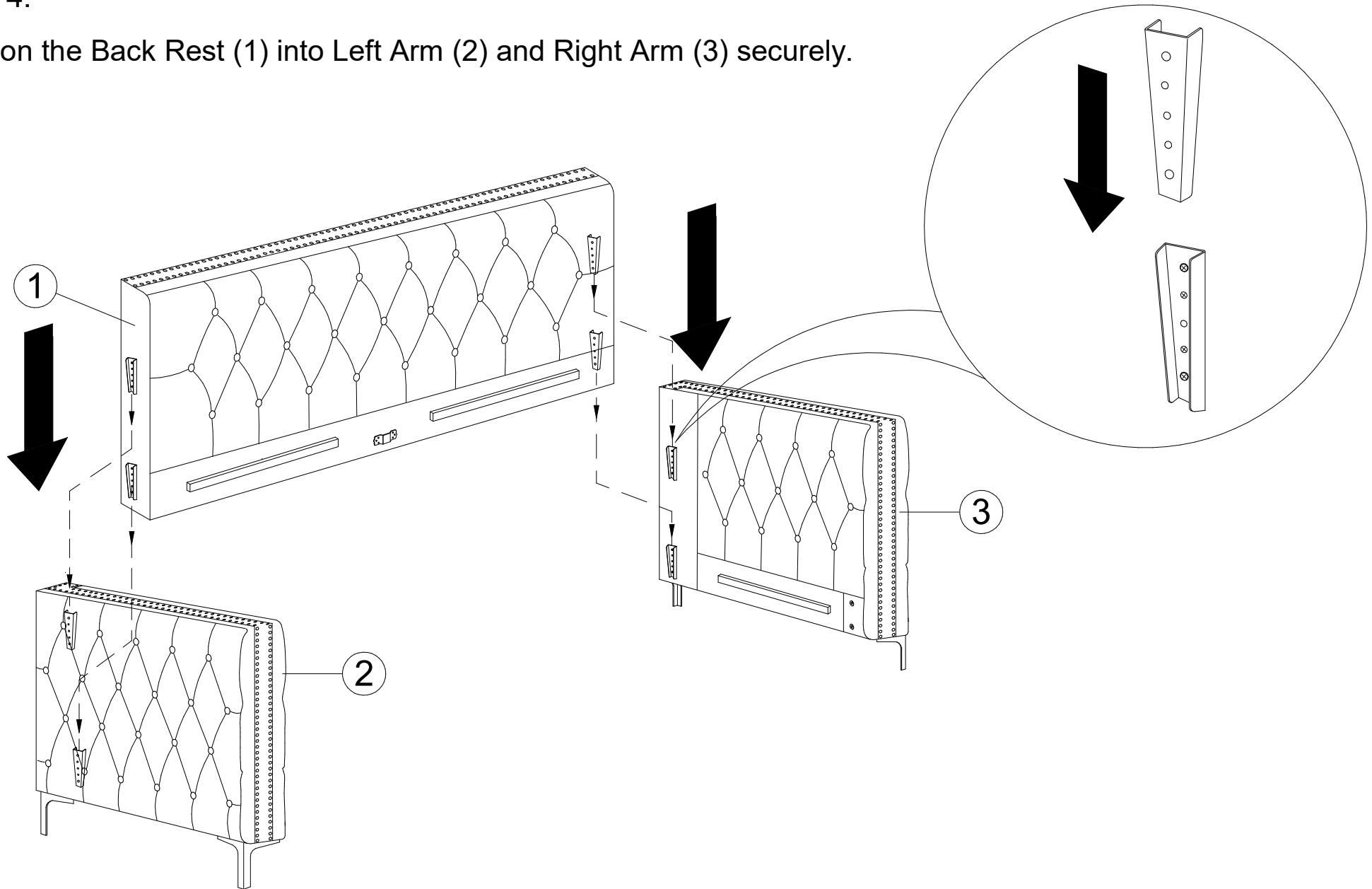
Attach Leg (4) (4pcs) to the Left Arm (L) (2) and Right Arm (R) (3). Legs are to be attached using JCBC Bolt M6 x 30mm (B) (8pcs) Spring Washer M6 (C) (8pcs), Flat Washer M6 (D) (8pcs) using Allen Key (A). Make sure bolt are fully tightened and secure.



ASSEMBLY INSTRUCTION

STEP 4.

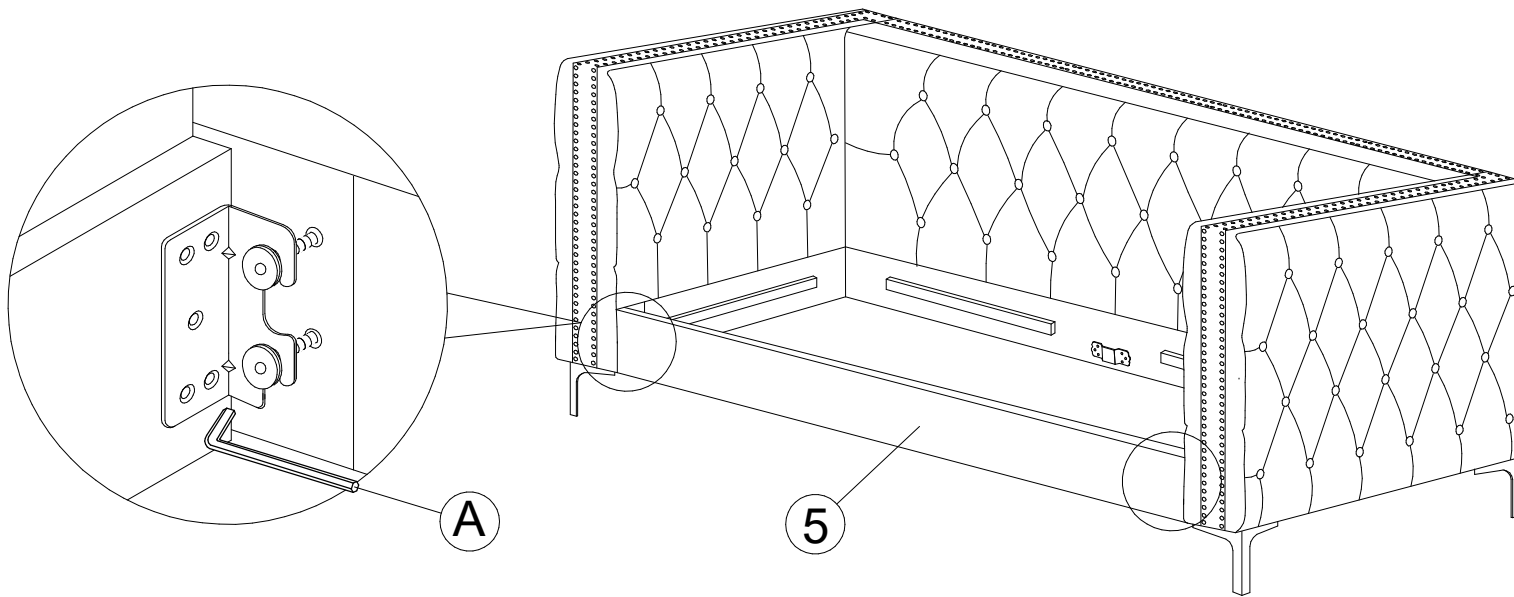
Hook on the Back Rest (1) into Left Arm (2) and Right Arm (3) securely.



ASSEMBLY INSTRUCTION

STEP 5.

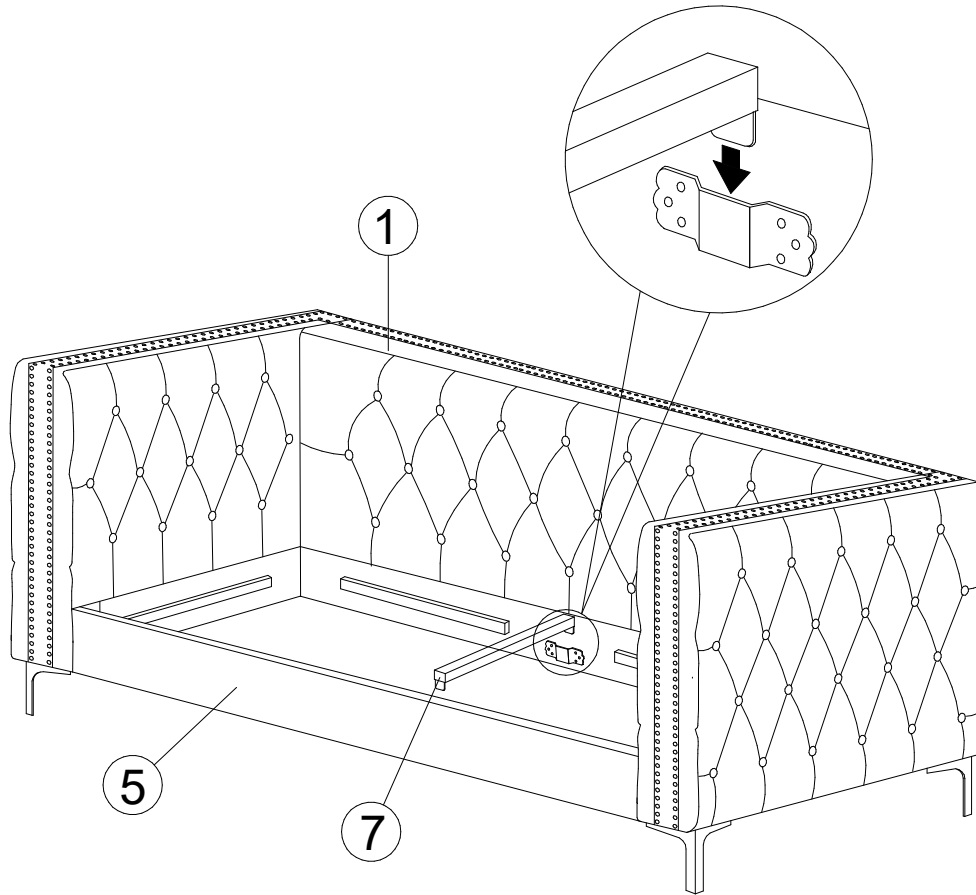
Slightly loosen the four bolts using Allen Key (A) without removing the bolts completely from both Side Arms (2 and 3). Hook on Front Rail (5) hooks into loosen bolts, once placed tighten and secure all four bolt with Allen Key (A).



ASSEMBLY INSTRUCTION

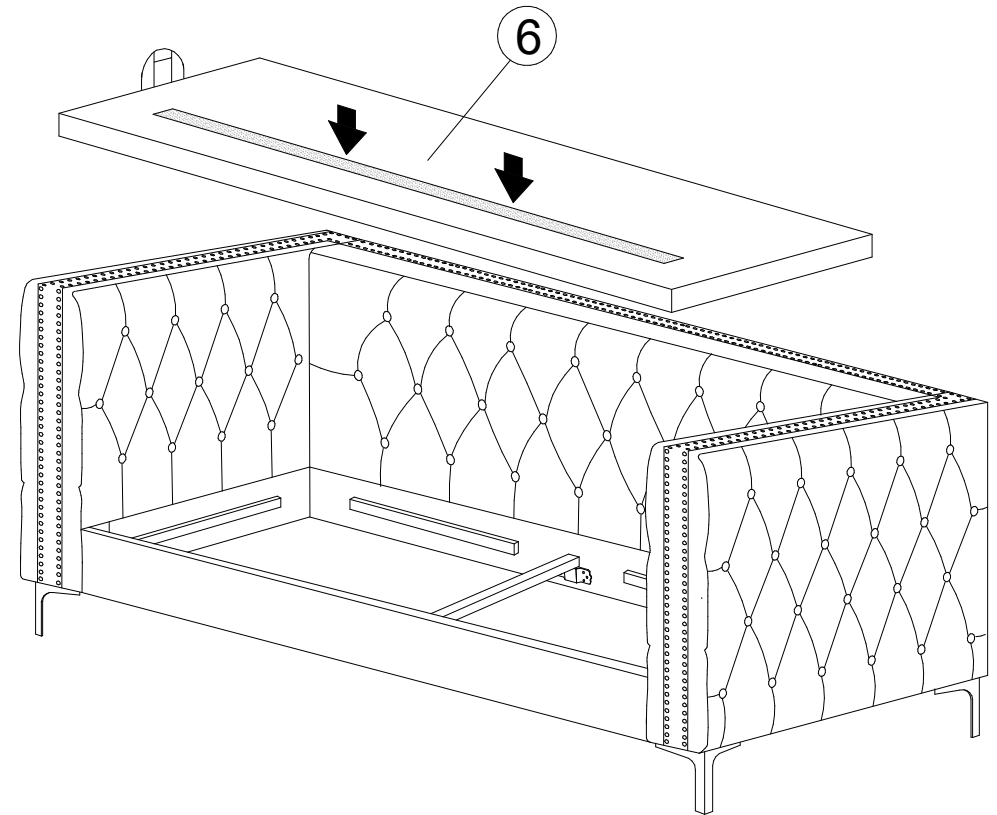
STEP 6.

Hook on and secure Seat Panel Support (7) to the two metal slots on both Front Rail (5) and Back Rest (1).



STEP 7.

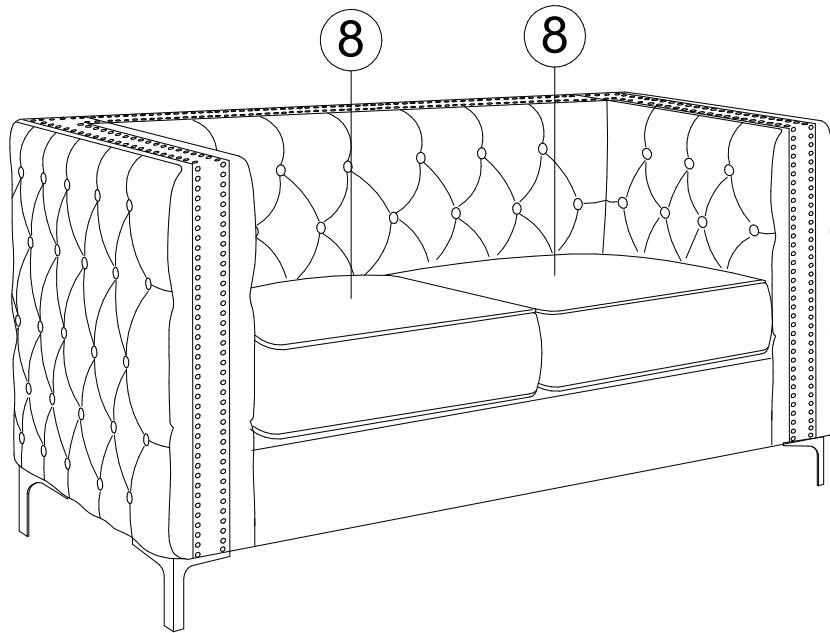
Lay the Seat Panel (6) on top of units frame.



ASSEMBLY INSTRUCTION

STEP 8.

Attach the Seat Cushion (8) (2pcs).



STEP 9.

Lay Pillows (9) (2pcs).

