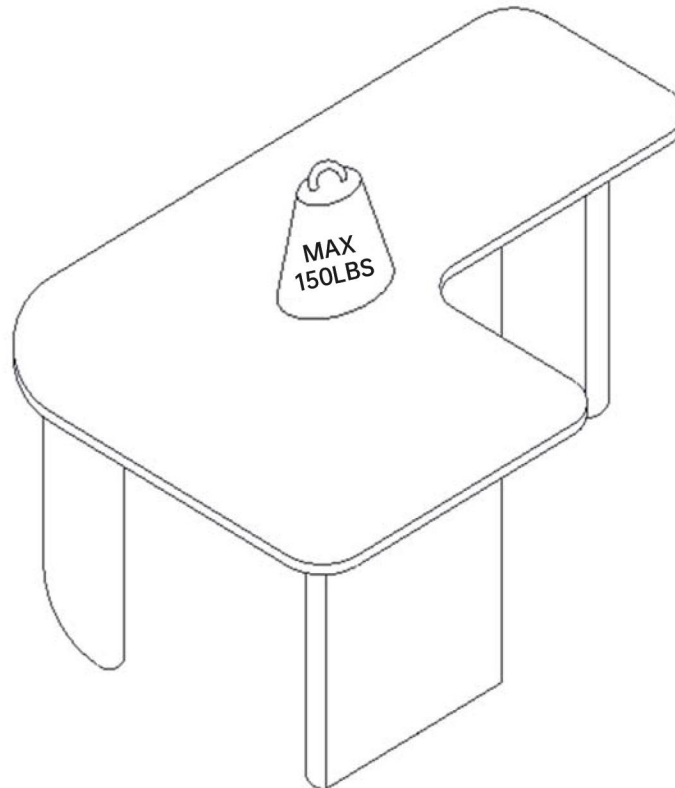


# COFFEE TABLE

**Assembly Instructions - Please keep for future reference**



## Dimensions

Width-35.43inch

Depth-23.62inch

Height-15.75inch

**Important – Please read these Instructions fully before starting assembly**



# Safety and Care Advice

**Important – Please read these instructions fully before starting assembly**

- Check you have all the components and tools listed on the following pages.
- Remove all fittings from the plastic bags and separate them into their groups.
- Keep children and animals away from the work area, small parts could choke if swallowed.
- Make sure you have enough space to layout the parts before starting.

- During assembly do not stand or put weight on the product, this could cause damage.
- Assemble the item as close to its final position (in the same room) as possible.
- Assemble on a soft level surface to avoid damaging the unit or your floor.
- Parts of the assembly will be easier with 2 people.



- To reduce the likelihood of damaging your product please ensure that your power drill is set on a low torque setting.

## Care and maintenance

- Only clean using a damp cloth and mild detergent, do not use bleach or abrasive cleaners.
- From time to time check that there are no loose screws on this unit.
- This product should not be discarded with household waste. Take to your local authority waste disposal centre.

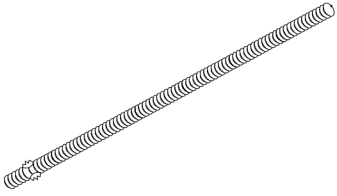
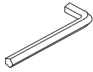

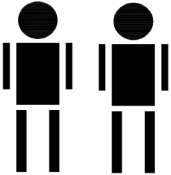
## Handy Hints

- Assemble all parts and bolts loosely during assembly, only once the product is complete should you fully tighten the bolts
- Regularly check and ensure That all bolts and fittings are tightened properly.

# Components - Fittings

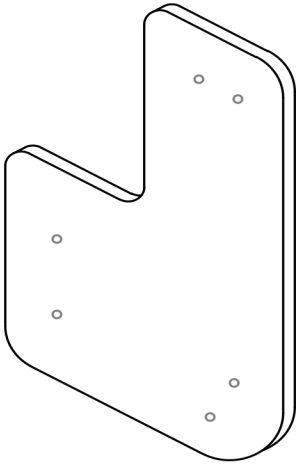
Please check you have all the panels listed below

Note: The quantities below are the correct amount to complete the assembly. In some cases more fittings may be supplied than are required.

<p>A</p>  <p>M8*370                      x6</p>	<p>B</p>  <p>M5                              x1</p>	<p>C</p>  <p>M8*20                      x6</p>
 <p>Person                      x2</p>		

# Assembly Instructions

① \*1



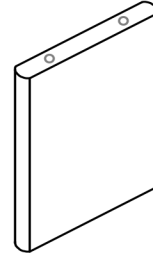
900\*600\*25mm

② \*1



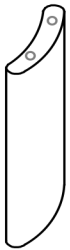
368\*140\*40mm

③ \*1



368\*290\*40mm

④ \*1

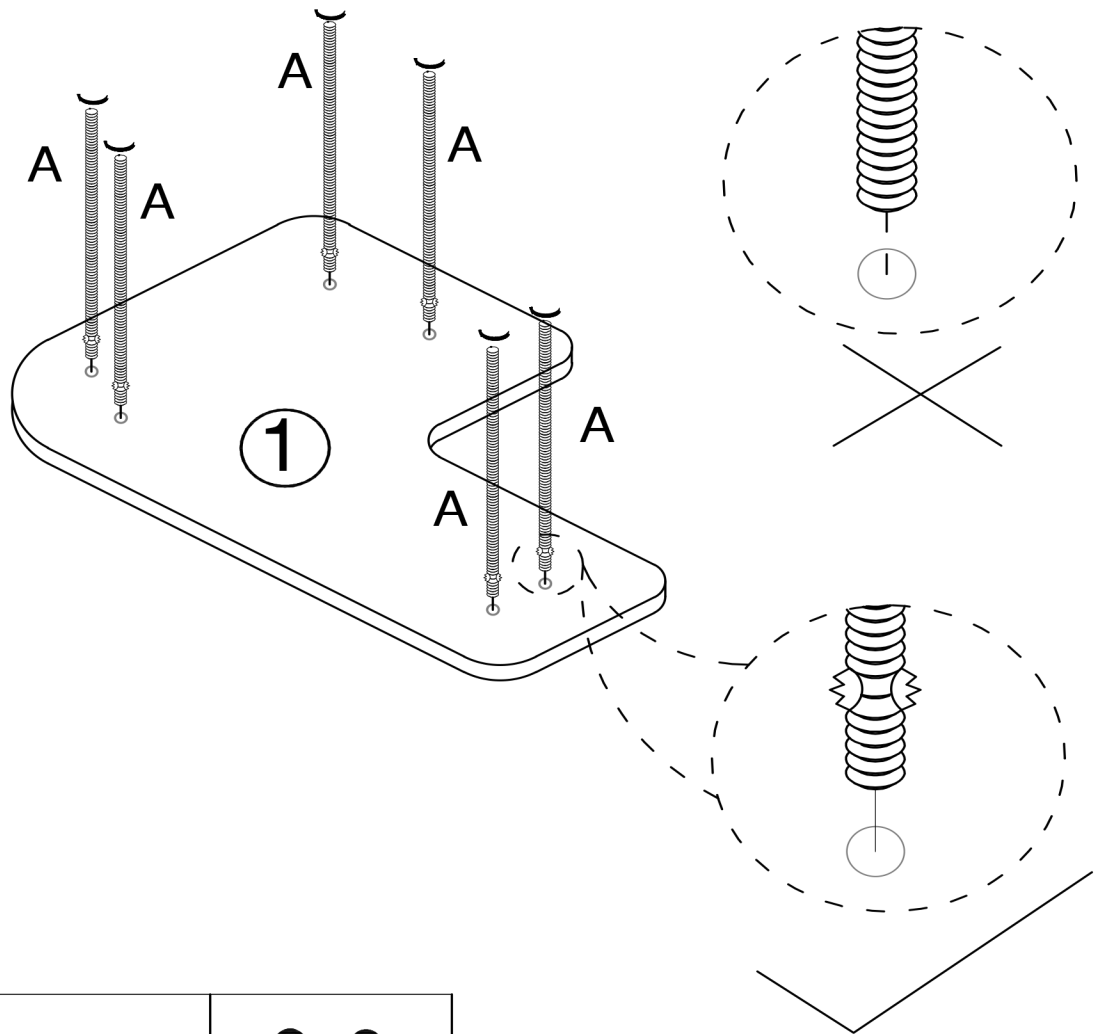


368\*196\*40mm

# Assembly Instructions

## Step 1

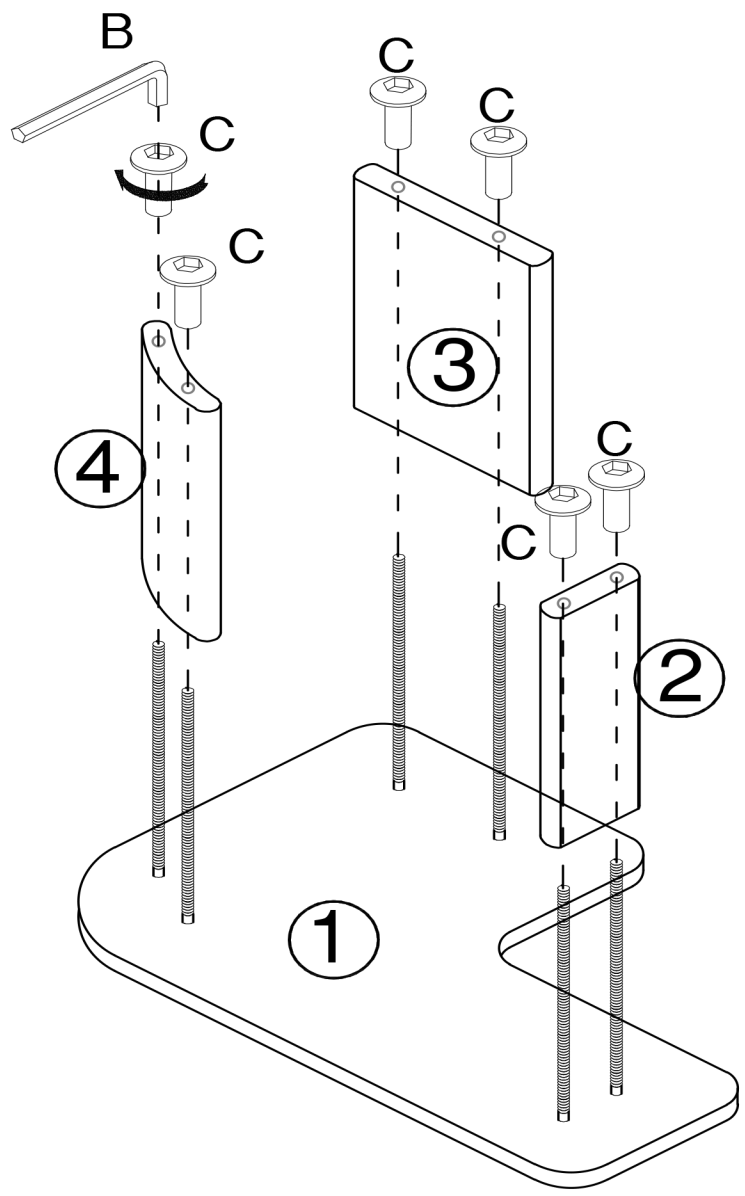
**WARNING:** Before assembling the furniture, please thoroughly inspect the work area and remove any small debris to prevent scratches on the product surface.

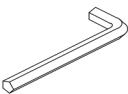
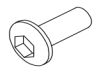


<p>A</p> <p>M8*370</p>	<p>Person x2</p>
------------------------	------------------

**Warning:** Please note the direction of the locking screw rod.

## Step 2



<p><b>B</b></p>  <p>M5      x1</p>	<p><b>C</b></p>  <p>M8*20      x6</p>
---	--

# Assembly Instructions

## Step 3

