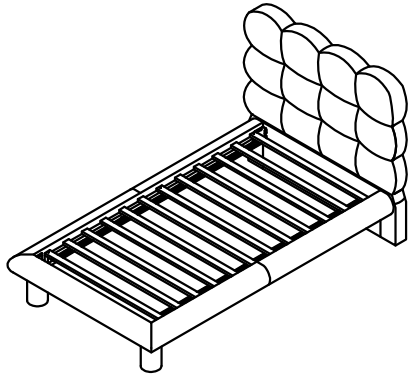


# ASSEMBLY INSTRUCTIONS

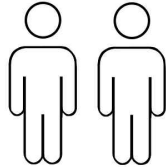
## TWIN



### + Do Not Use Power Tools



### + Suggested Adults



#### NOTE:

- 1 Read instructions cover to cover.
- 2 Save all packaging until assembly is completed.

### 1 IMPORTANT SAFETY INFORMATION

Do not assemble the product if any of the following parts arrived damage:

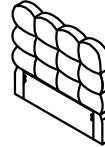
- Part 4 - Side Rails
- Part 5 - Slats

### 2 IMPORTANT ASSEMBLY INFORMATION

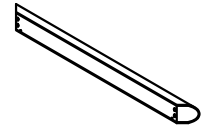
**Assembly Step** Ensure the side rail bracket is fully hooked onto bolt loosely threaded with both washers on the OUTSIDE of the bracket first, then proceed to fully tightening all 4 corners.

### + Parts Included

① HEADBOARD  
(1 PC)



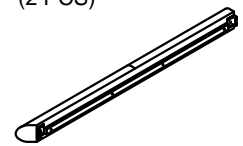
② FOOTBOARD  
(1 PC)



③ BED LEG  
(2 PCS)



④ SIDE RAILS  
(2 PCS)



⑤ SLATS  
(1 SET)



### + Hardware Included

A M6 x 20mm  
(4 PCS)



B M6  
(4 PCS)



C M8  
(2 PCS)



D M4 x 20mm  
(8 PCS)



E M4 x 38mm  
(6 PCS)



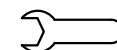
F 5/16 HEX NUT  
(2 PCS)



G VMB 3087  
(2 PCS)



H SPANNER 13mm  
(1 PC)



I M4  
(1 PC)



J M5  
(1 PC)

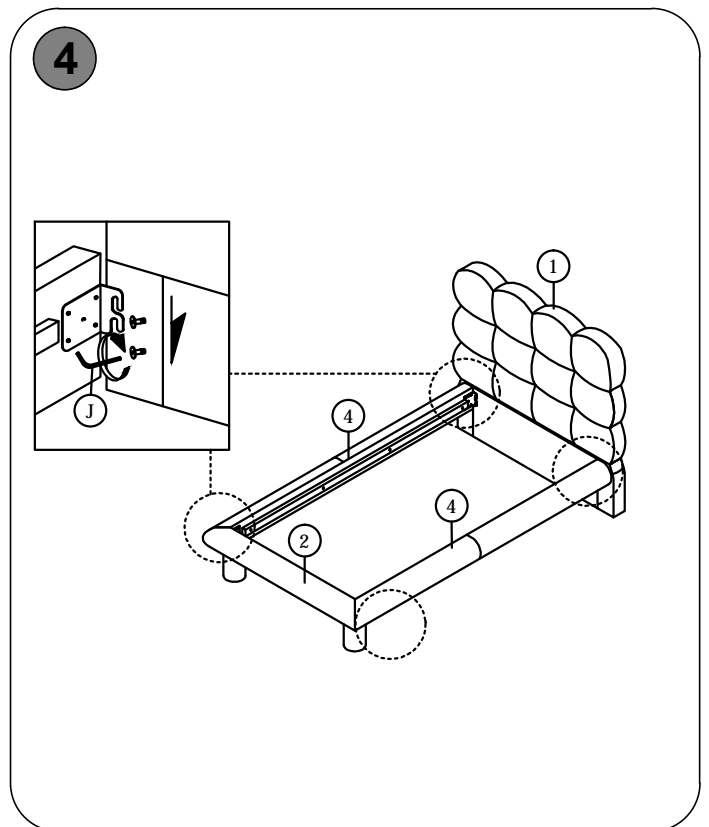
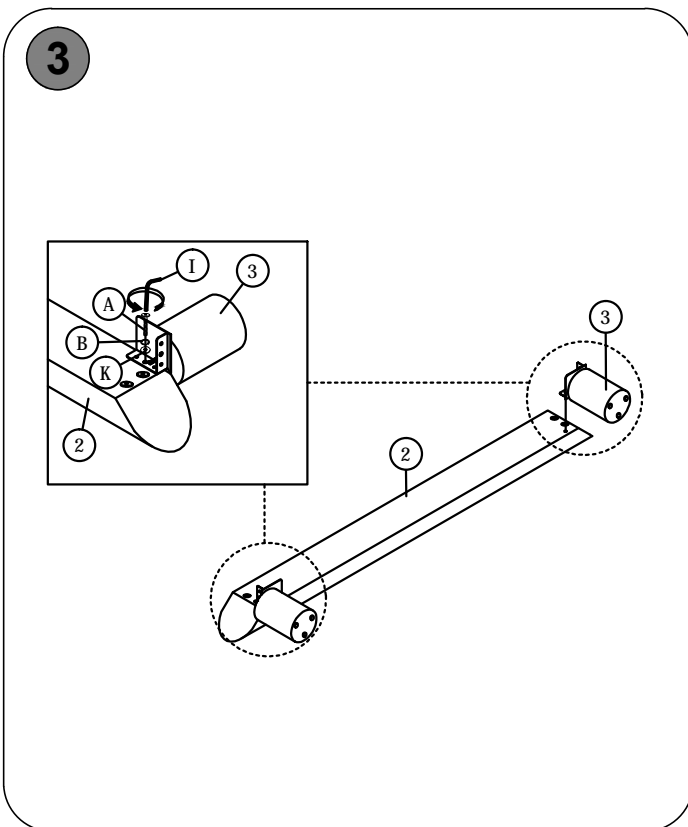
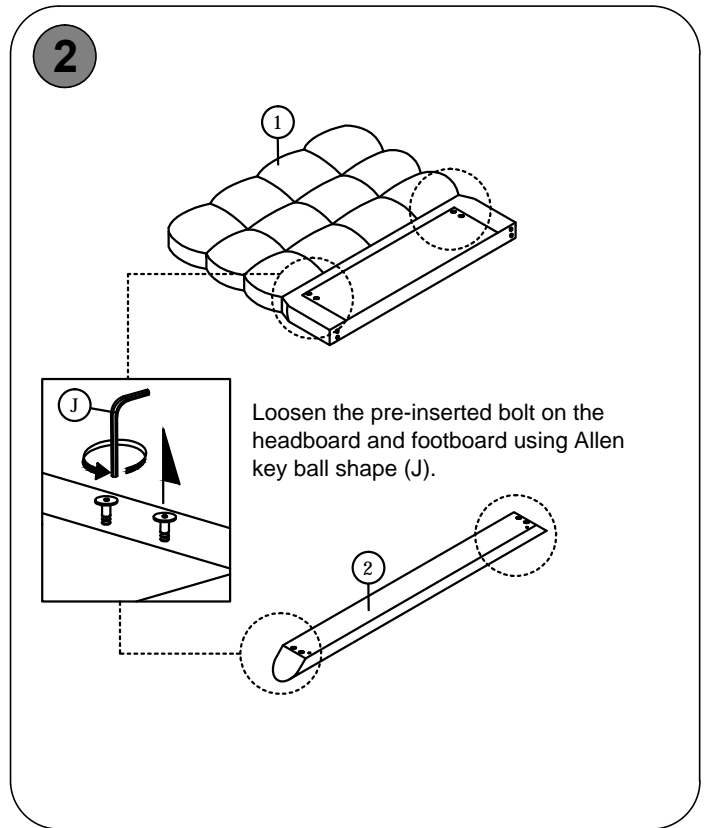
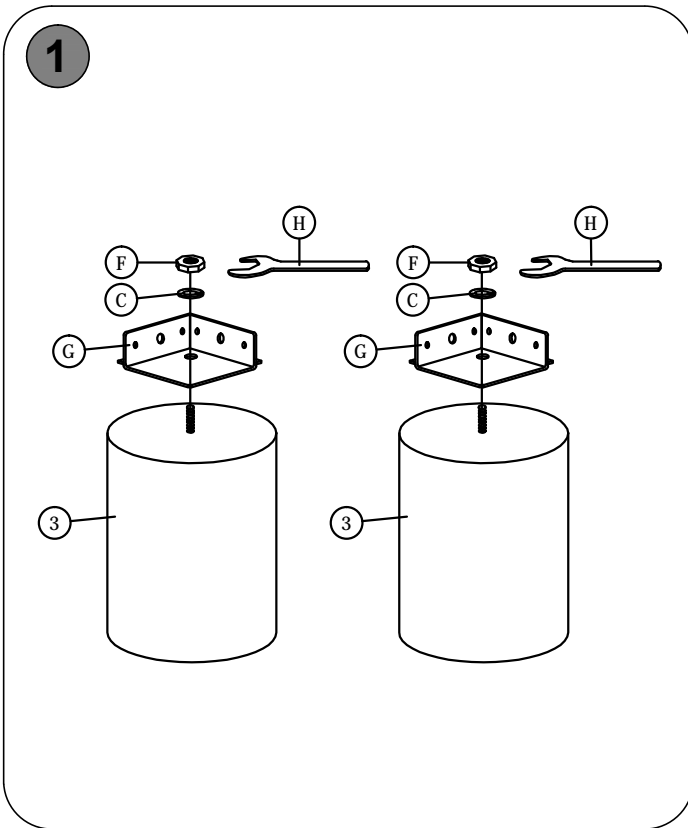


K M6  
(4 PCS)



# ASSEMBLY INSTRUCTIONS

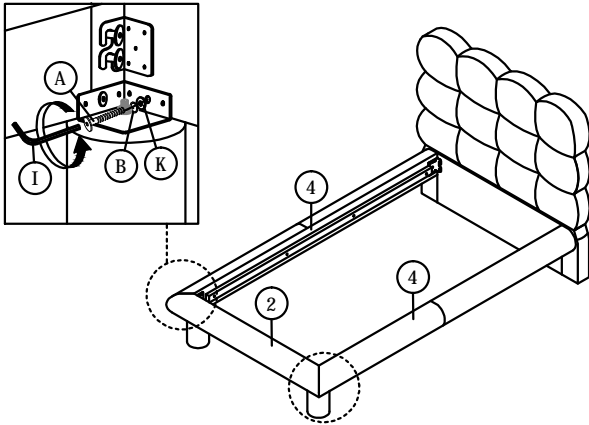
## TWIN



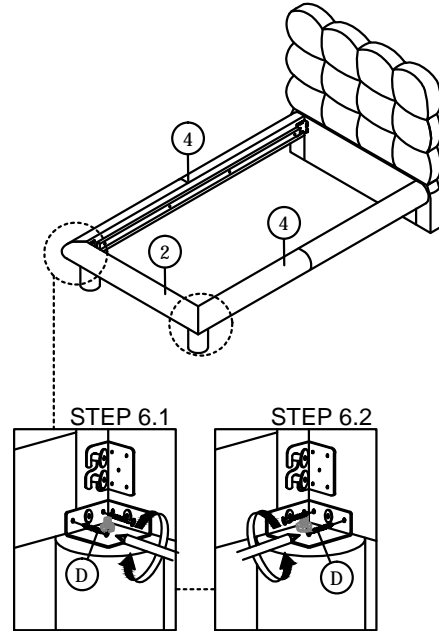
# ASSEMBLY INSTRUCTIONS

## TWIN

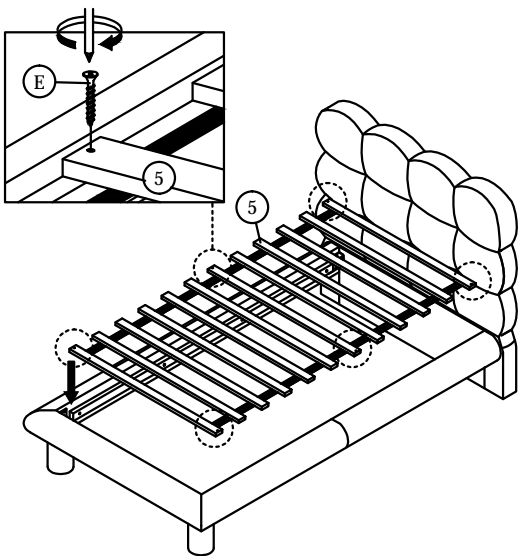
5



6



7



8

