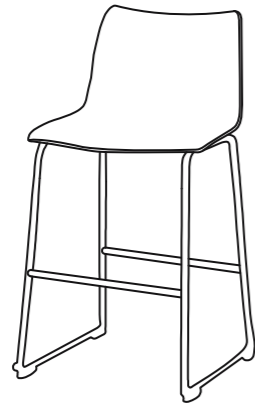
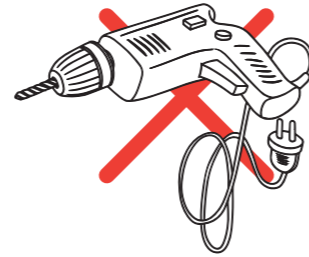
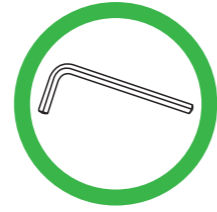


To deodorize the leather  
leave the chair in a shady  
outside for 1-2 days.



For longer use

Re-tighten bolts every 6 months by using  
the enclosed allen-key.  
\*Using an electric drill can damage the chair.  
Please re-tighten bolts manually.



## Safety Information



Sit in the center of the  
chair, with your back to  
the backrest



Do not sit at the front  
edge of the chair



Do not stand on the  
chair



Do not use the chair  
with more than one  
person



Do not push the chair  
around when a person  
is sitting in it



Do not push down on  
the backrest when a  
person is reclined



Do not place all your  
weight on only the  
backrest

# INSTRUCTION MANUAL

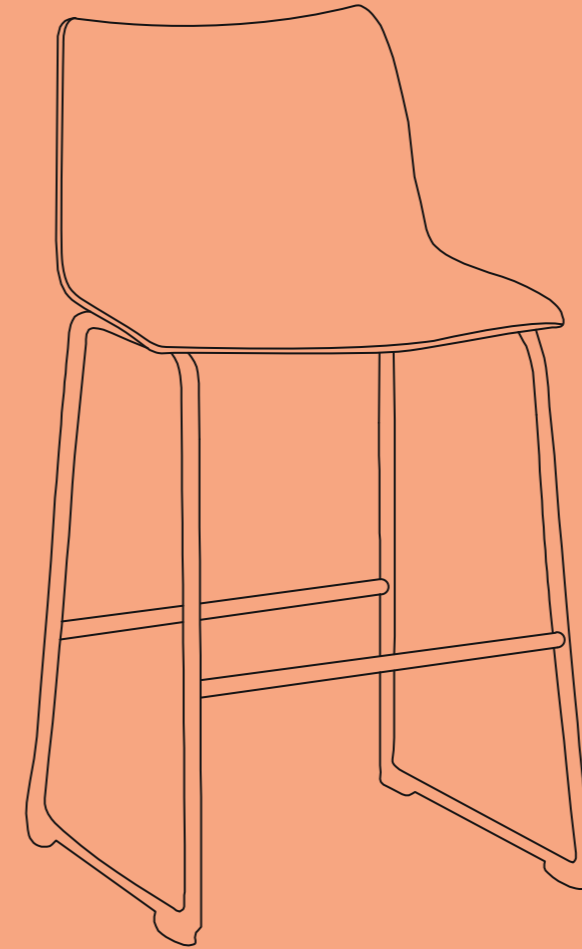
Model: C-6013

# INSTRUCTION MANUAL

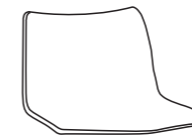
## C-6013



<https://hinstallationvideos.s3.amazonaws.com/6013+bar+chair.mp4>



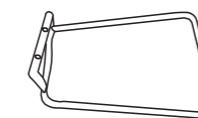
## Package List



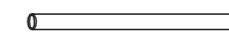
(A)\*1 Seat



(B)\*1 (R) Leg



(C)\*1 (L) Leg

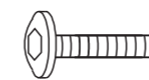


(D)\*2 Round Tube



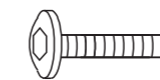
M6x25mm

(E)\*4 Bolts



M8x14mm

(F)\*2 Bolts



M6x22mm

(G1)\*2 Bolts



M6x22mm

(G2)\*2 Bolts

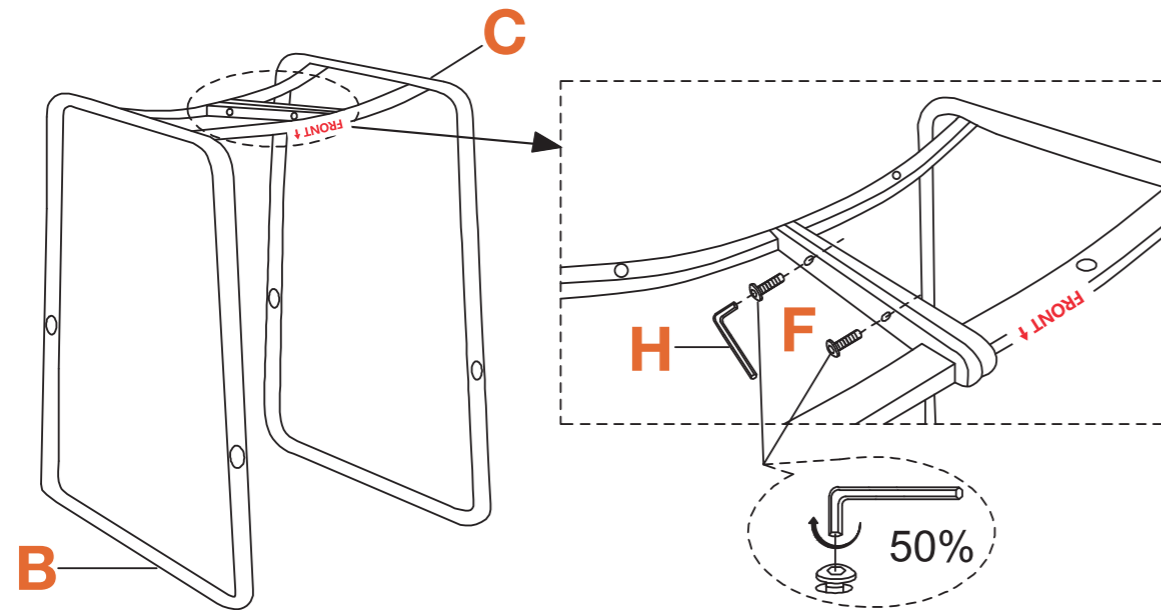


(H)\*1 Wrench



(I)\*1 Wrench

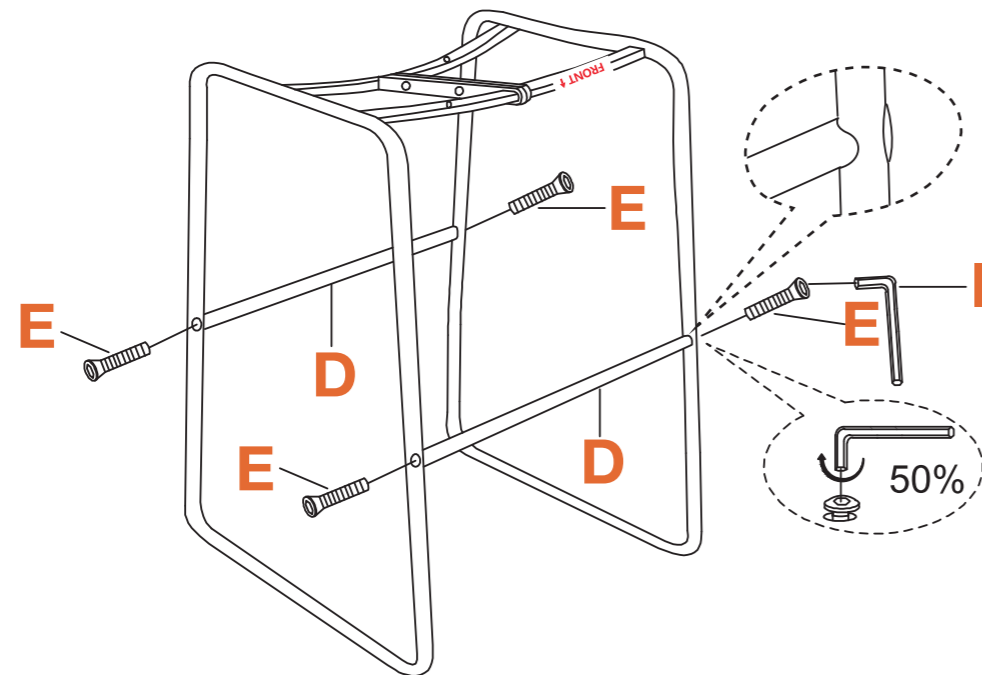
# Assembly Instruction



1

Fix the Leg (B)\*1(R) and (C)\*1(L) with Bolts (F)\*2.

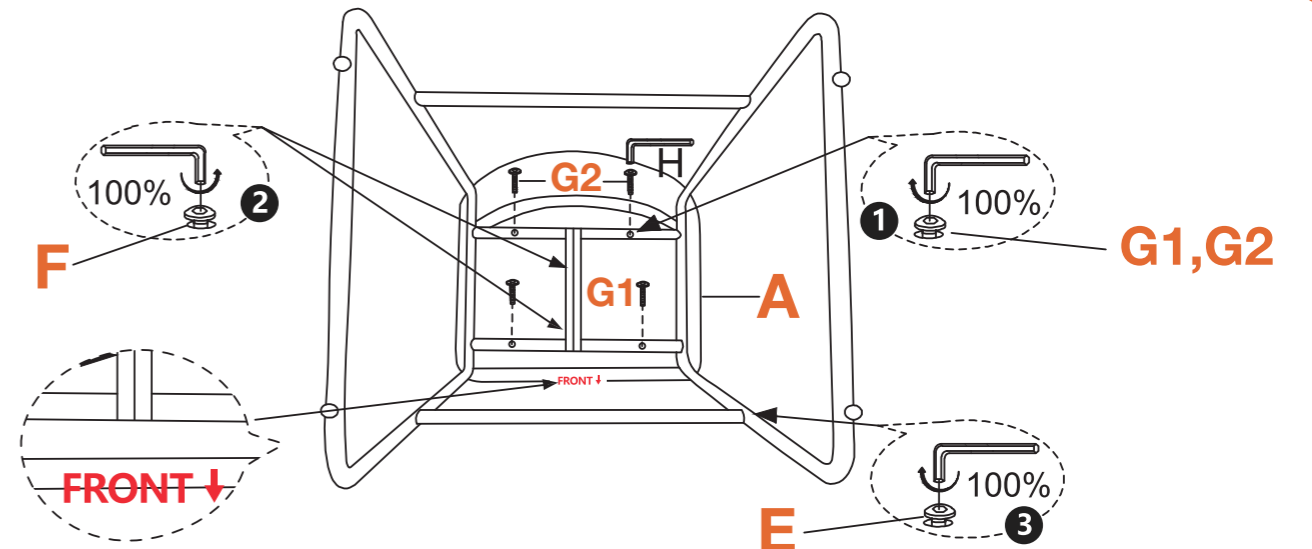
**Note:** Bolts are only tightened **50%**. Make sure the "FRONT" on the Leg is mounted correctly.



2

Install Round Tube (D)\*2 to the Legs (B&C) with Bolts (E)\*4.

**Note:** Bolts are only tightened **50%**. The grooves of the Round Tube fit the Legs.

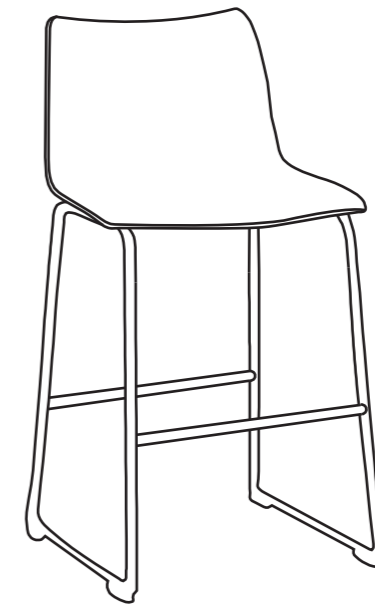


3

Place the Seat (A) face down. Attach Legs (B&C) to the Seat (A) with Bolts (G1)\*2 and (G2)\*2.

**100%** tighten the Bolts in the order shown. G1, G2 → F → E

**Note:** Make sure the "FRONT" on the Seat and Legs are the same direction.



4

Your Bar Stool is ready for use.

## CAUTION:

- \* Before using the chair, check to ensure that all bolts are fully tightened.
- \* Lubricate all parts and tighten all bolts every 6 months or whenever needed.