

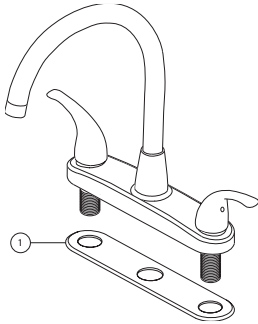
# PARLOS®

## Installation Guide

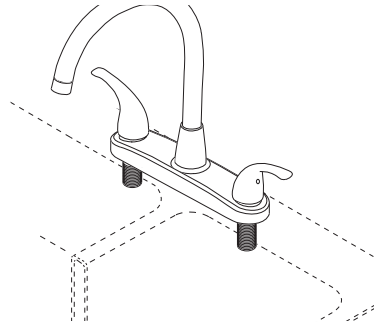
If you have any question or need help,  
please visit **PARLOS®** website  
<http://www.parlos.com>



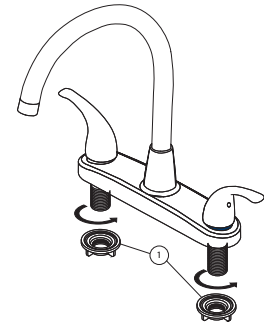
**1 SHUT OFF WATER SUPPLIES.** Remove old faucet.  
Place gasket (1) on bottom of new faucet. If your model has a spray,  
proceed to step 2. If your model does not have a spray skip to step 4.



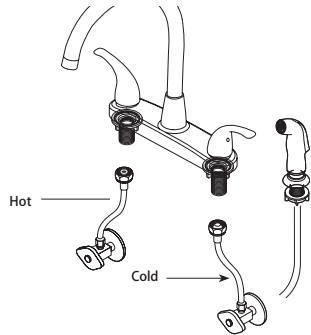
**2 Place faucet through mounting holes in sink.**  
OPTION: If sink is uneven, use silicone sealant under the gasket.



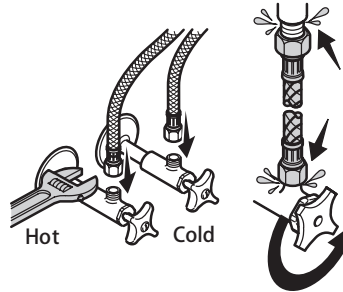
**3 Secure faucet to sink using locknuts (1) provided.**



**4 CONNECT TO WATER SUPPLIES. (HOOK-UPS NOT PROVIDED).**

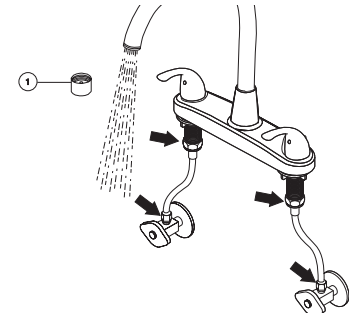


**5 Connect and tighten the supply hoses.**  
Check for leaks.



**6 FOR MODELS WITHOUT SPRAY: FLUSH SYSTEM/CHECK FOR LEAKS.**

Remove aerator (1). Turn on hot and cold water supplies. Turn handles to full open position for one minute. Check for leaks at arrows. Replace aerator.



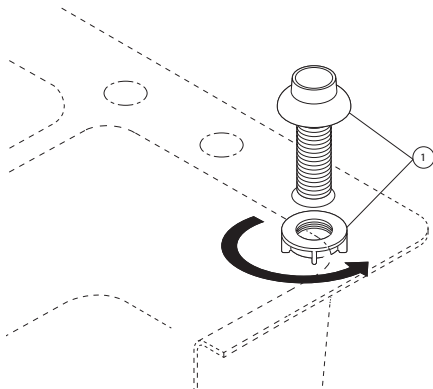
# PARLOS<sup>®</sup>

## Installation Guide

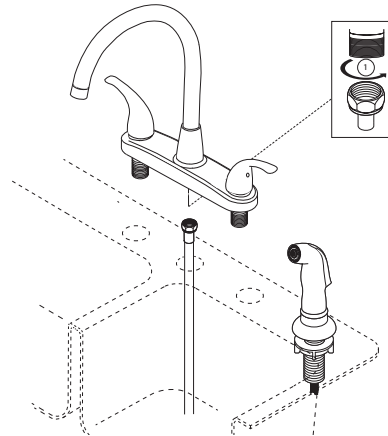
If you have any question or need help,  
please visit **PARLOS<sup>®</sup>** website  
<http://www.parlos.com>



1 Mount spray support (1) in far right hole in sink.



2 Connect the spray hose to the faucet. (1)



3 FOR MODELS WITH SPRAY: FLUSH SYSTEM/CHECK FOR LEAKS.  
Remove aerator (1), spout bonnet (2) and spout (3). Replace spout and spout bonnet. Turn on hot and cold water supplies. Turn handles to full open position for one minute. Check for leaks. Replace diverter and aerator.

